



US00D396592S

United States Patent [19]

Roth

[11] Patent Number: **Des. 396,592**

[45] Date of Patent: ****Aug. 4, 1998**

[54] **PILLOW**

[76] Inventor: **Jon N. Roth**, 3308 Brownes Creek Rd.,
Charlotte, N.C. 28269

[**] Term: **14 Years**

[21] Appl. No.: **74,161**

[22] Filed: **Jul. 29, 1997**

[51] LOC (6) Cl. **06-09**

[52] U.S. Cl. **D6/597; D6/601; D21/136**

[58] Field of Search D6/595-597, 601,
D6/604; D21/136, 137; 5/630, 633, 636,
637, 641, 652-656, 907; D12/401; D1/113

[56] **References Cited**

U.S. PATENT DOCUMENTS

D. 331,655 12/1992 Kesdeklglu D1/113
5,306,347 4/1994 Semle et al. D12/401

Primary Examiner—Janice E. Seeger
Attorney, Agent, or Firm—Dougherty & Dremann

[57] **CLAIM**

The ornamental design for a pillow, as shown and described.

DESCRIPTION

FIG. 1 is a perspective view of a pillow according to the invention;

FIG. 2 is a left side elevation view of the pillow of FIG. 1, the right side elevation view being identical;

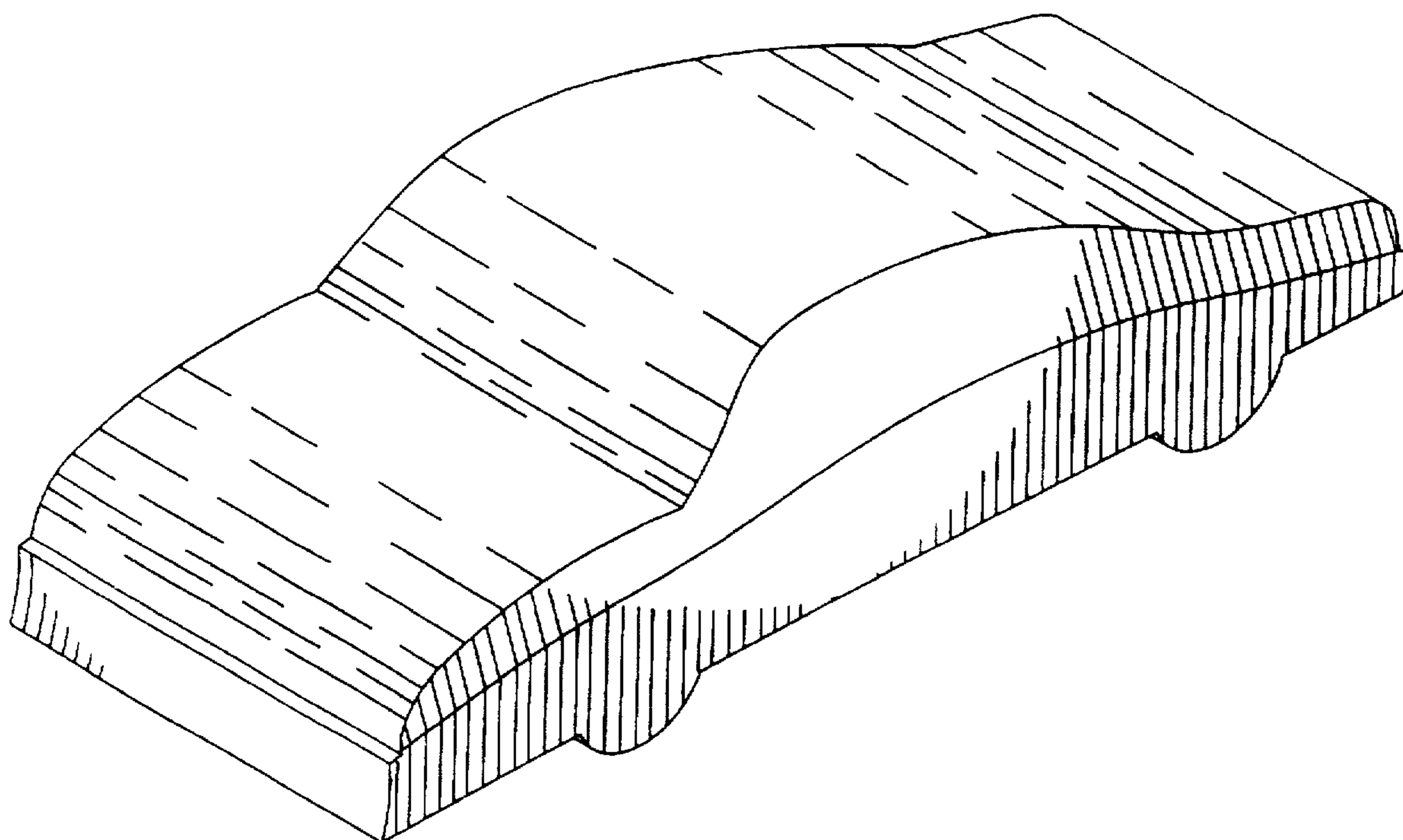
FIG. 3 is a top plan view of the pillow of FIG. 1;

FIG. 4 is a bottom plan view of the pillow of FIG. 1;

FIG. 5 is a front end elevation view of the pillow of FIG. 1; and,

FIG. 6 is a rear end elevation view of the pillow of FIG. 1

1 Claim, 2 Drawing Sheets



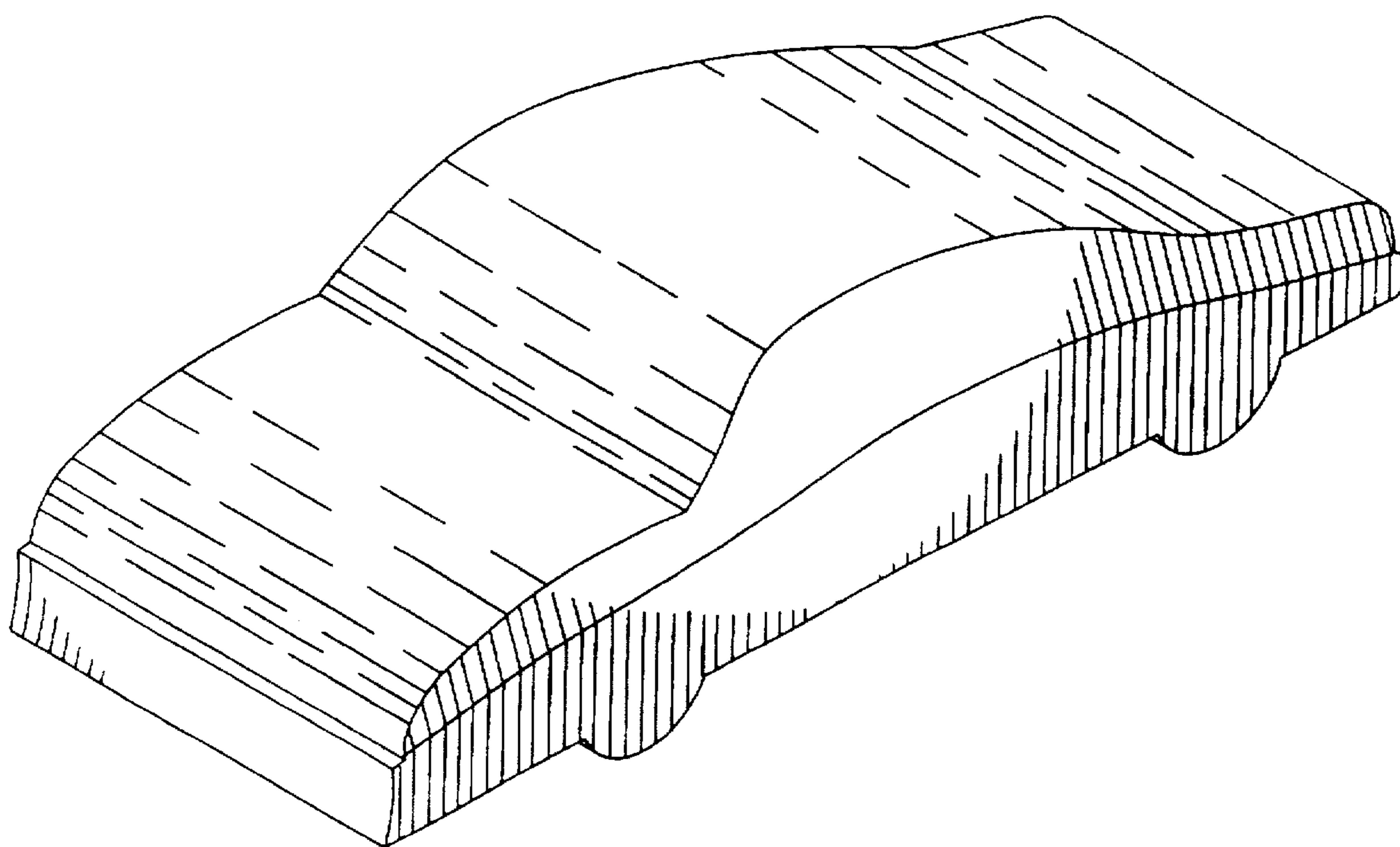


Fig. 1

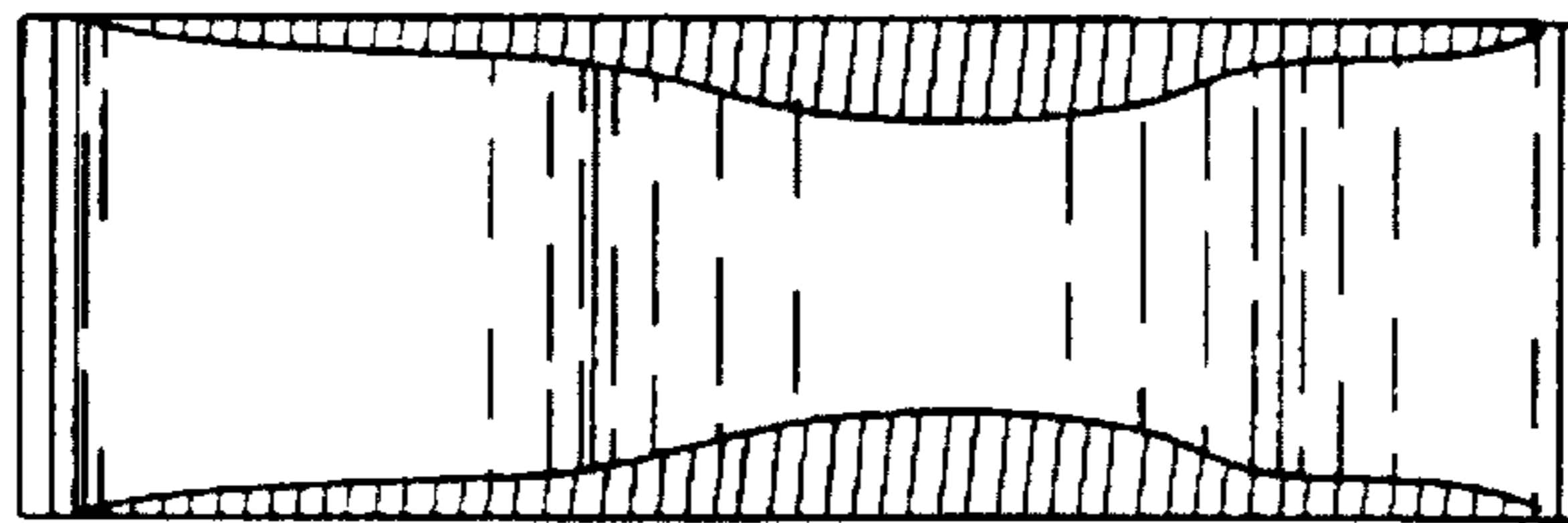


Fig. 3

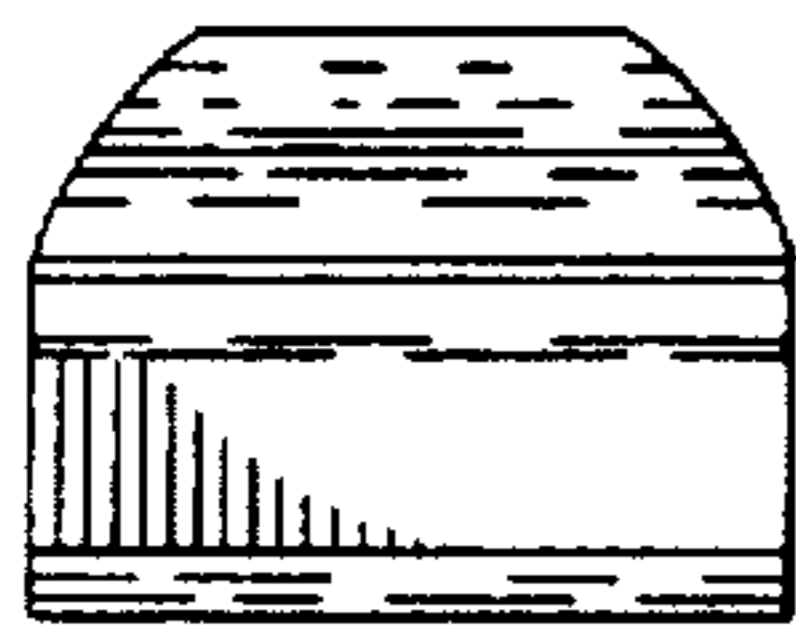


Fig. 5



Fig. 2



Fig. 6

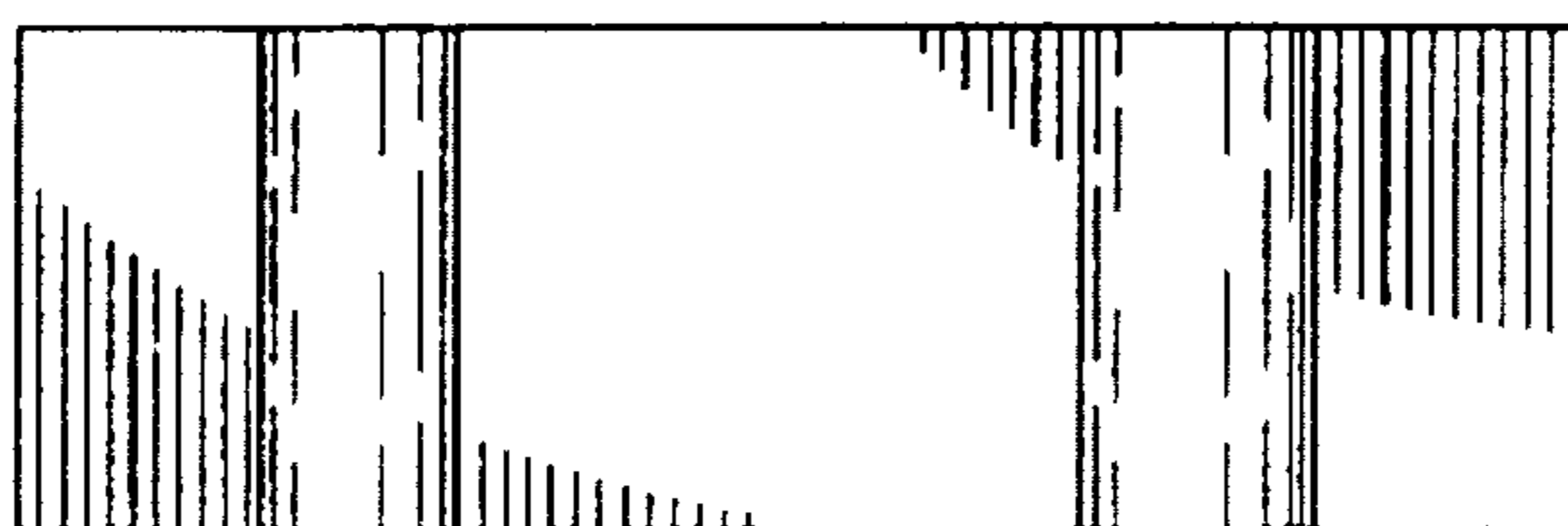


Fig. 4