



US00D396591S

United States Patent [19]
Vasilakis

[11] **Patent Number:** **Des. 396,591**
[45] **Date of Patent:** ****Aug. 4, 1998**

[54] **PAGER HOLDER**

203195 3/1966 Sweden .

[76] Inventor: **Michael S. Vasilakis**, P.O. Box 681,
Concord, Calif. 94522-0681

Primary Examiner—Marcus A. Jackson
Attorney, Agent, or Firm—Richard C. Litman

[**] Term: **14 Years**

[57] **CLAIM**

[21] Appl. No.: **48,906**

The ornamental design for a pager holder, as shown and described.

[22] Filed: **Jan. 16, 1996**

DESCRIPTION

[51] LOC (6) Cl. **06-10**

[52] U.S. Cl. **D6/567**

[58] Field of Search D6/512, 553, 567,
D6/396, 403, 405, 449; D19/65, 75, 85;
211/10, 11, 12, 44, 60.1, 62, 63, 71, 74,
86-90

FIG. 1 is a perspective view of the first embodiment of a pager holder showing my new design;

FIG. 2 is a top plan view with the bottom view being a mirror image thereof;

FIG. 3 is an environmental left side elevational view with the right side being a mirror image thereof;

FIG. 4 is a front elevational view with the rear view being a mirror image thereof;

FIG. 5 is a perspective view of the second embodiment of a pager holder showing my new design;

FIG. 6 is a top plan view with the bottom view being a mirror image thereof;

FIG. 7 is a left side elevational view with the right side being a mirror image thereof; and,

FIG. 8 is a front elevational view with the rear view being a mirror image thereof.

The broken line showing of a pager in FIG. 3 is for illustrative purposes only, and forms no part of the claimed design.

[56] **References Cited**

U.S. PATENT DOCUMENTS

- D. 311,919 11/1990 Klaczak .
- D. 355,555 2/1995 Ryan D6/569
- D. 383,633 9/1997 Schweitzer D6/570
- 1,816,049 7/1931 Lerner .
- 2,698,155 12/1954 Bowman .
- 3,177,048 4/1965 Whatley .
- 3,756,481 9/1973 Schaefer .
- 4,727,890 3/1988 Vincent .
- 4,844,394 7/1989 Randolph .
- 4,877,284 10/1989 Doane .
- 4,901,852 2/1990 King .
- 5,385,282 1/1995 Chen .

FOREIGN PATENT DOCUMENTS

- 1320105 1/1963 France .

1 Claim, 2 Drawing Sheets

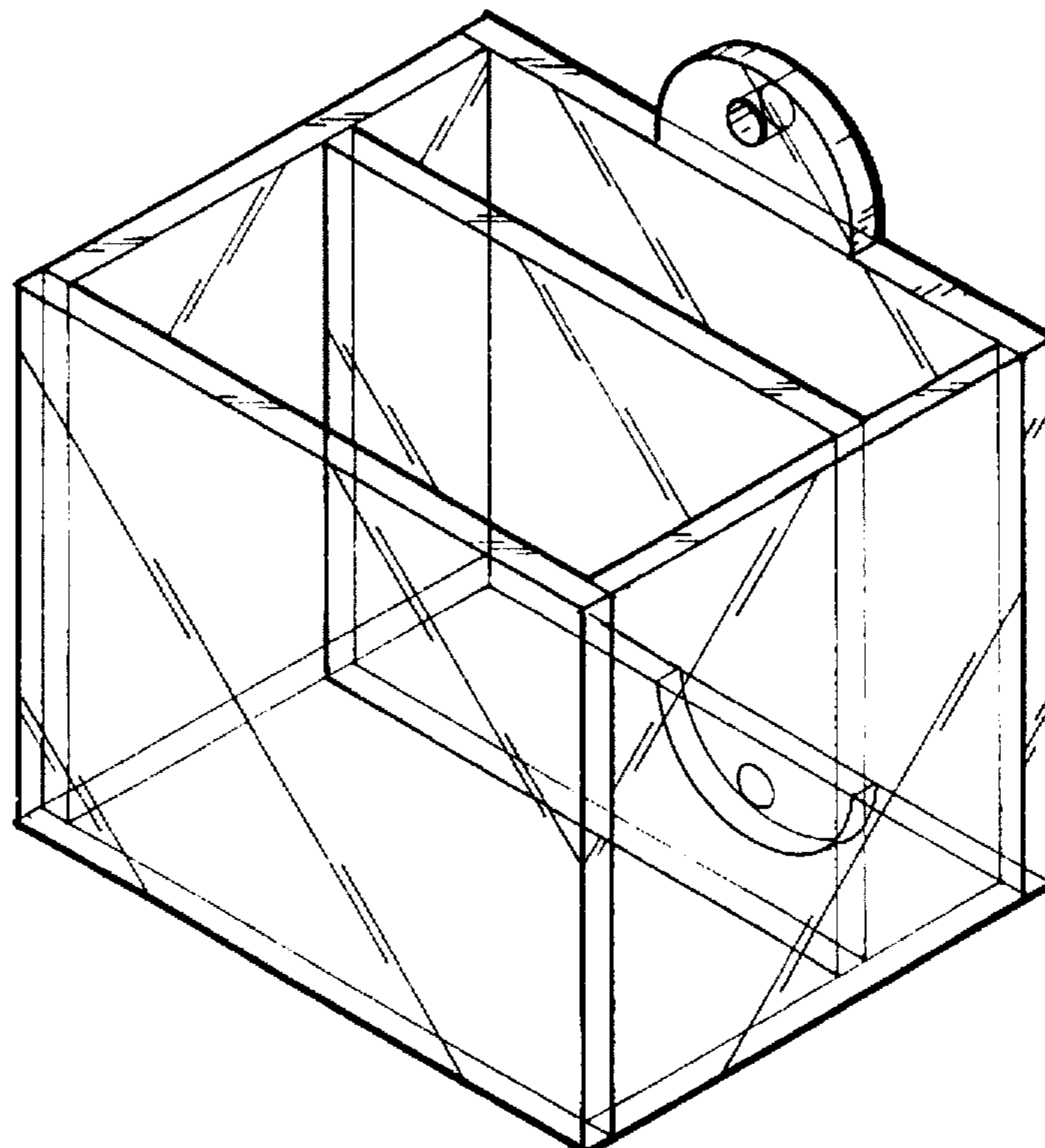


FIG. 1

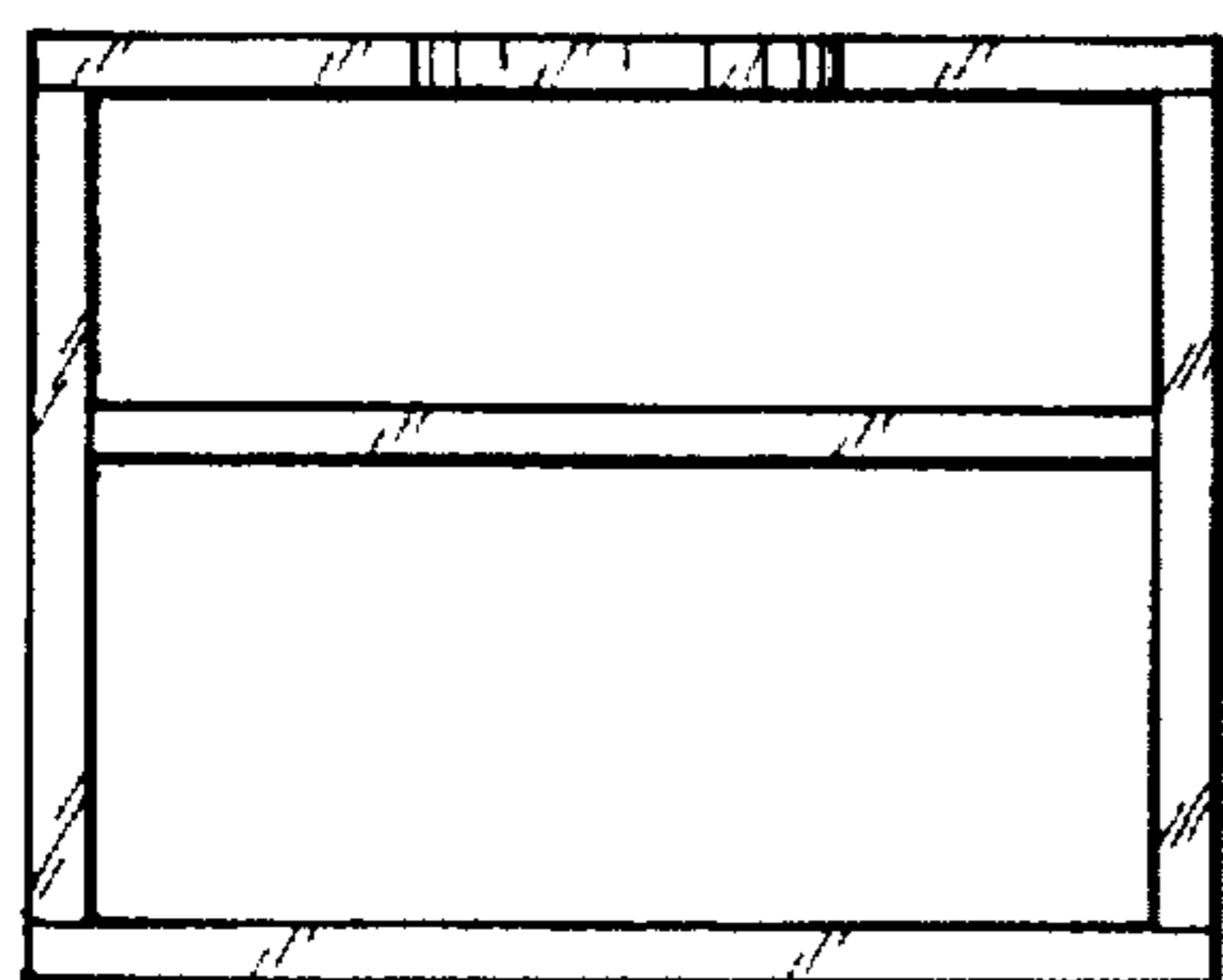
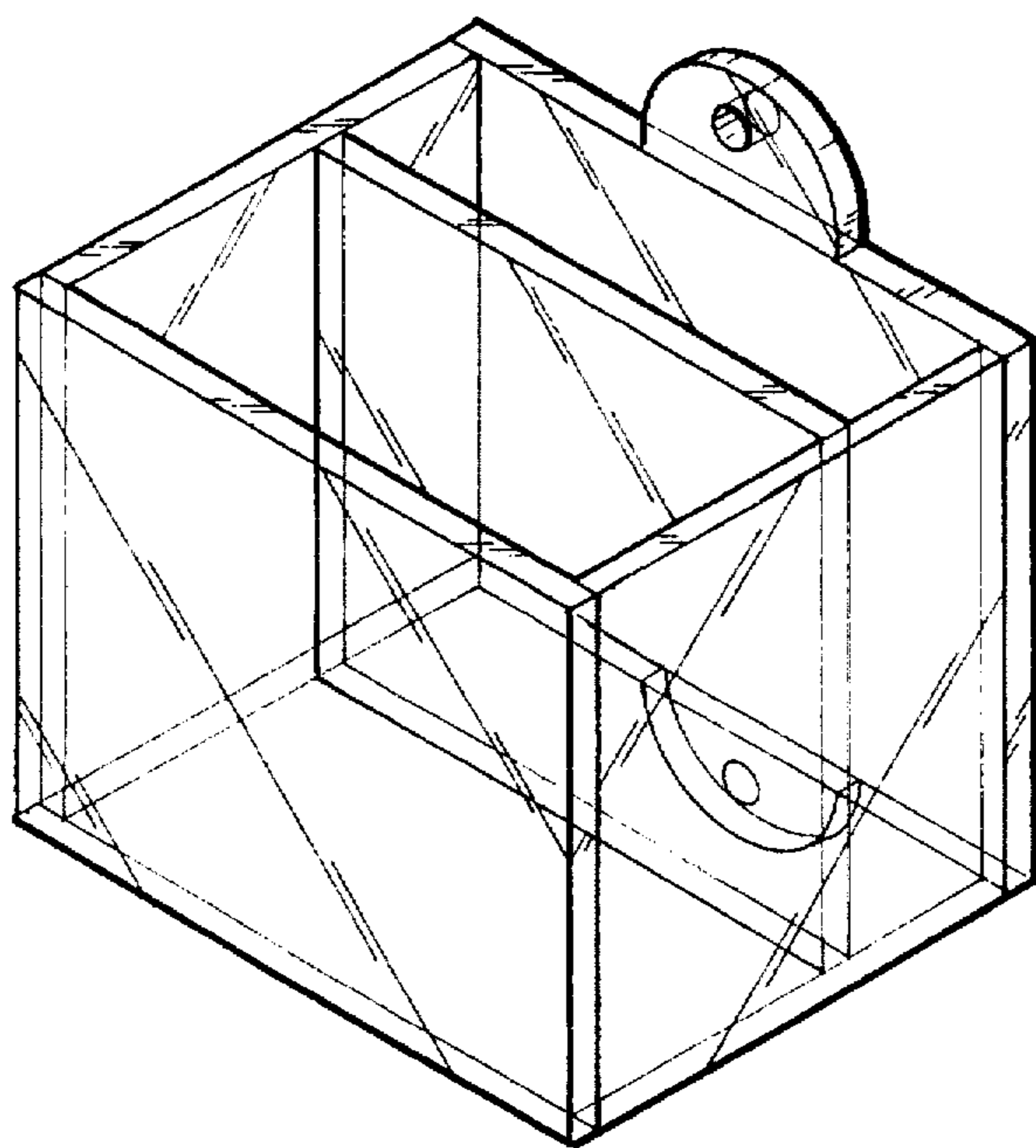


FIG. 2

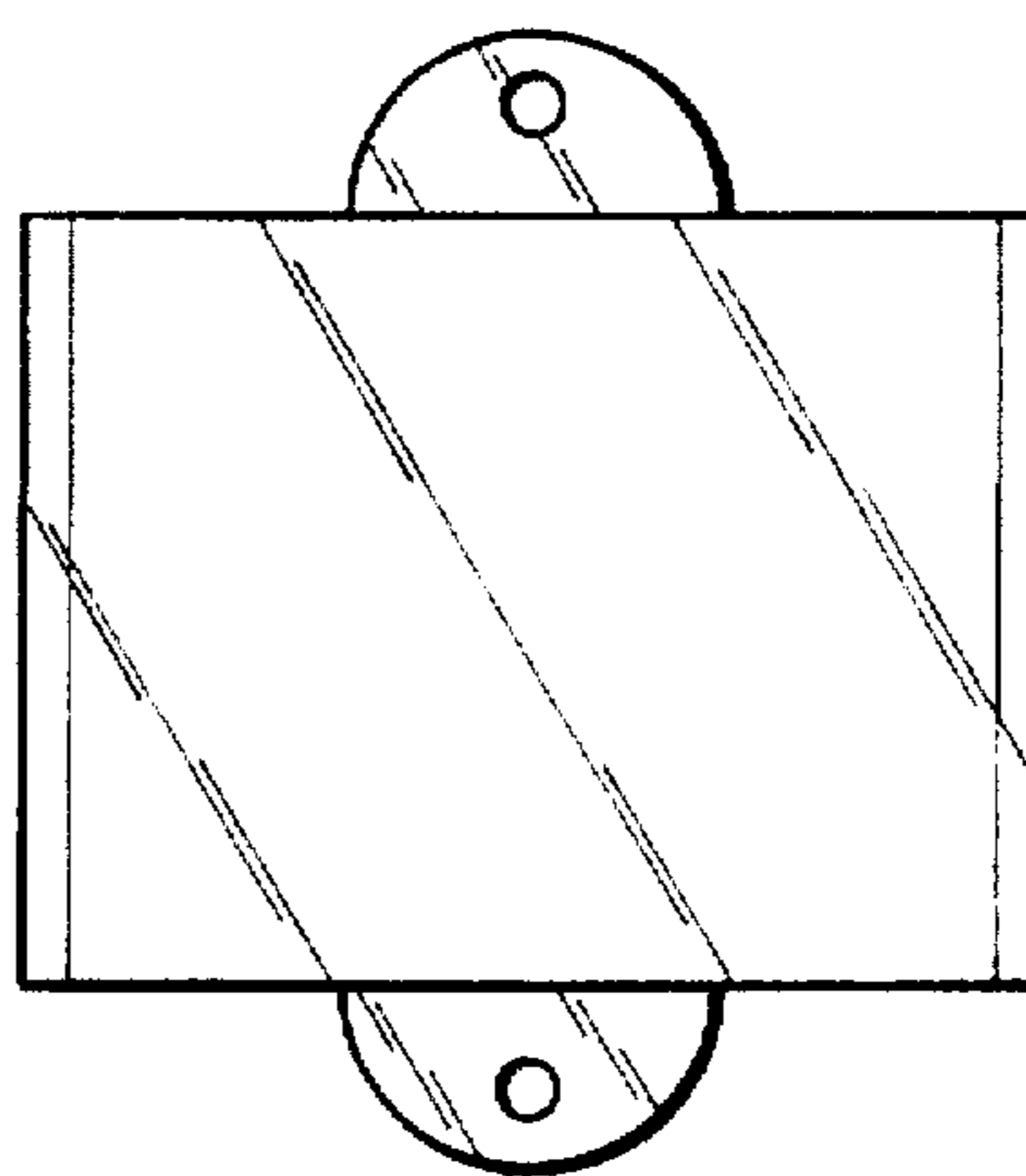
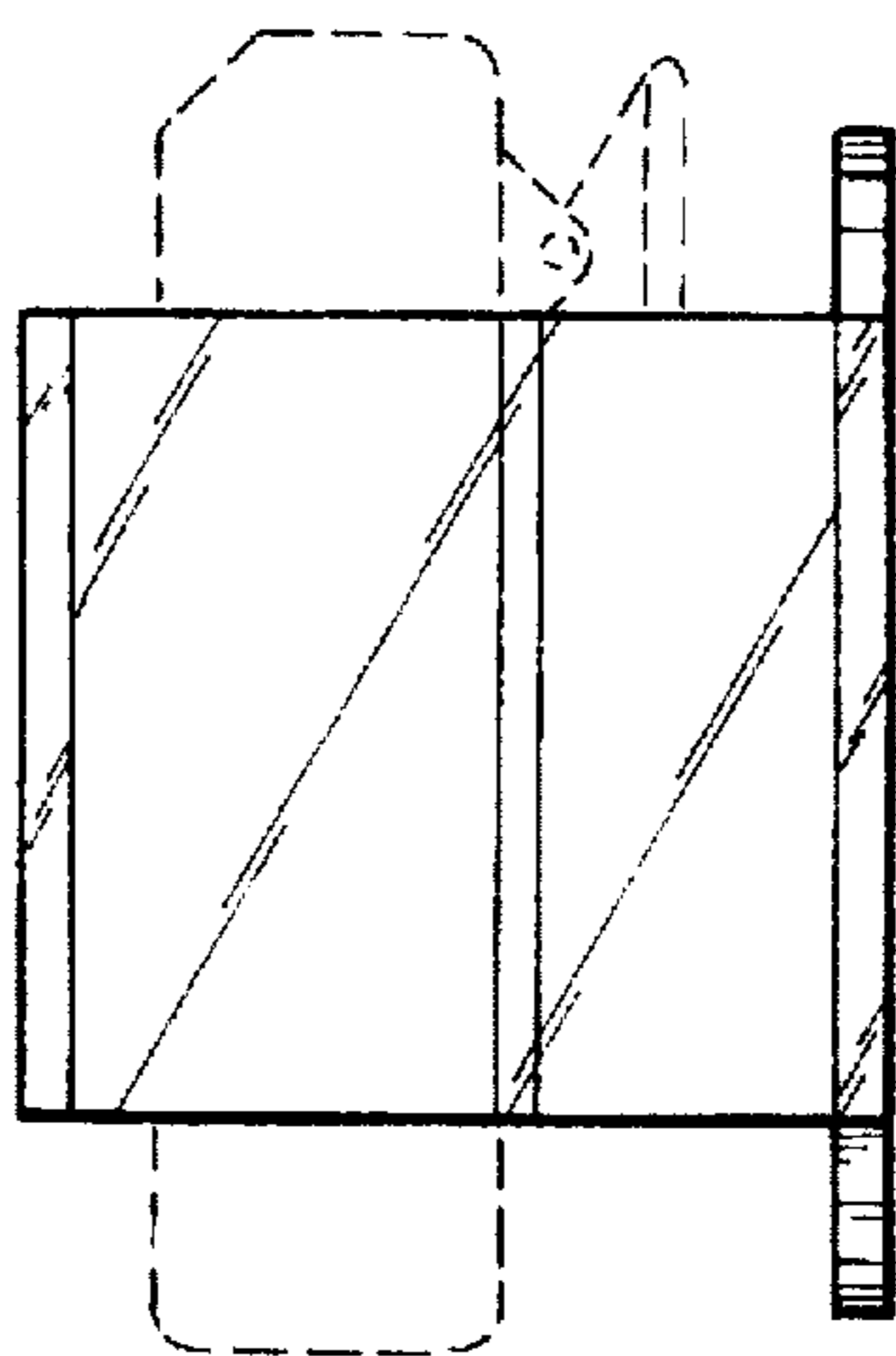


FIG. 4

FIG. 3



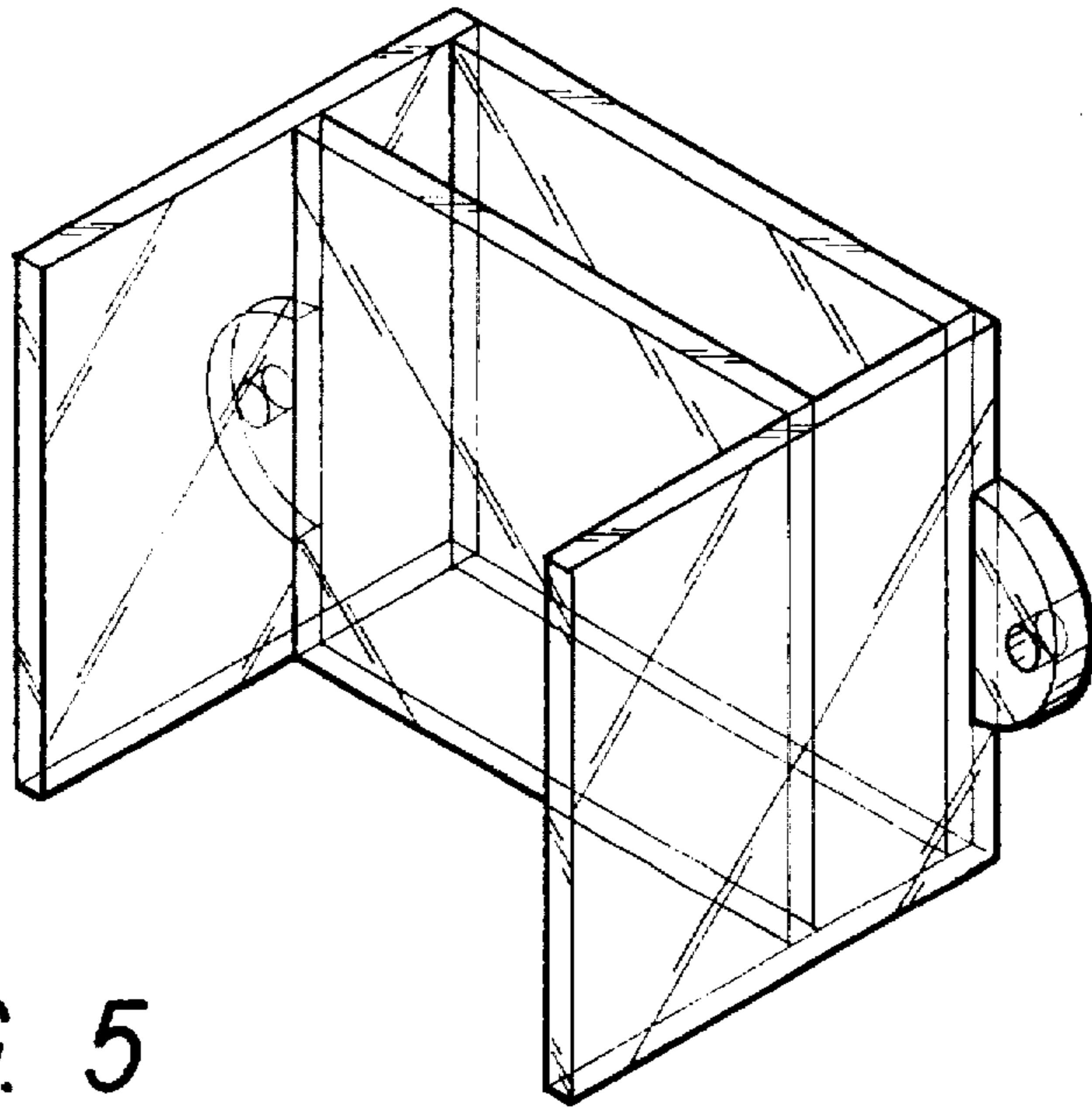


FIG. 5

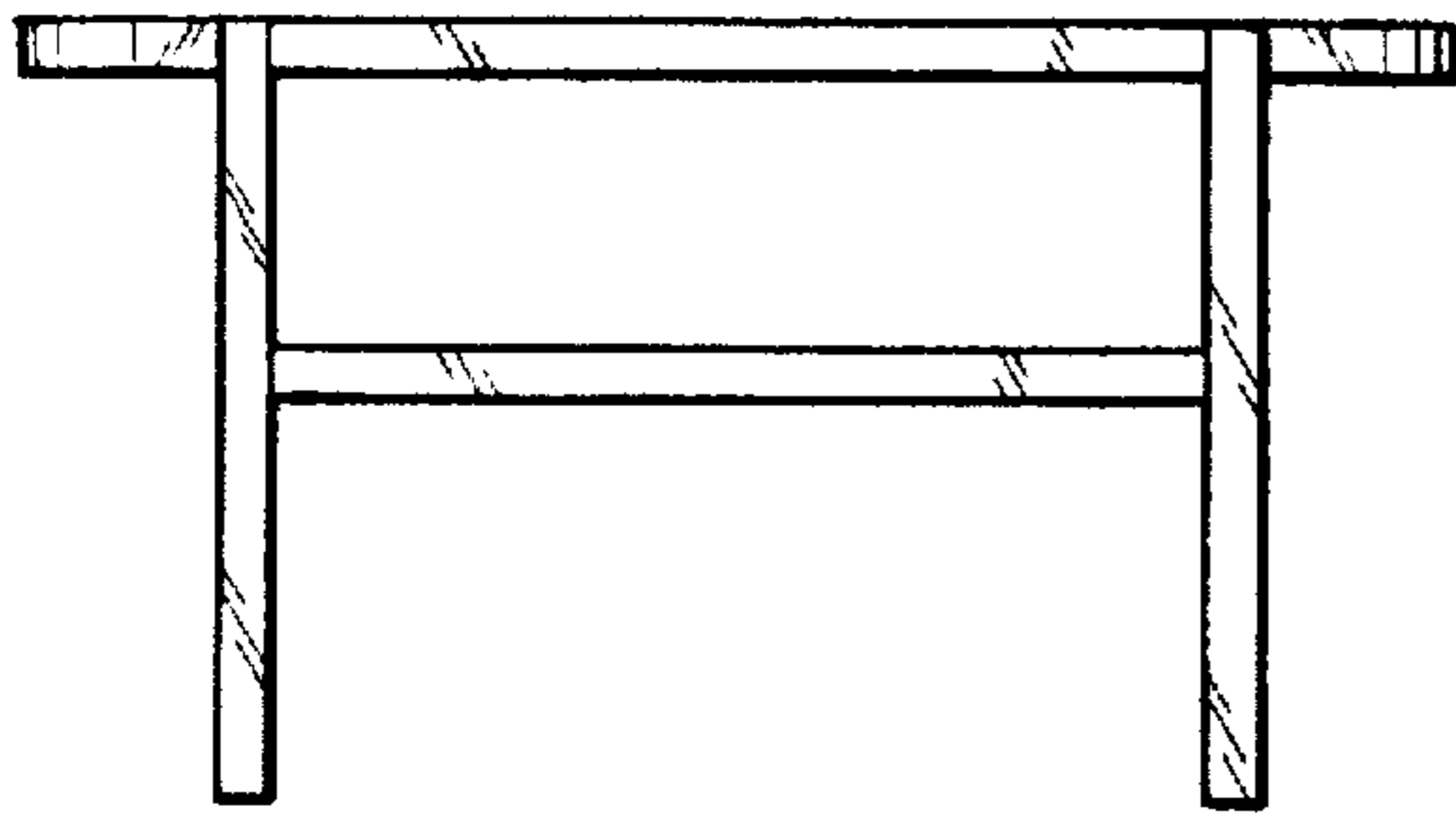


FIG. 6

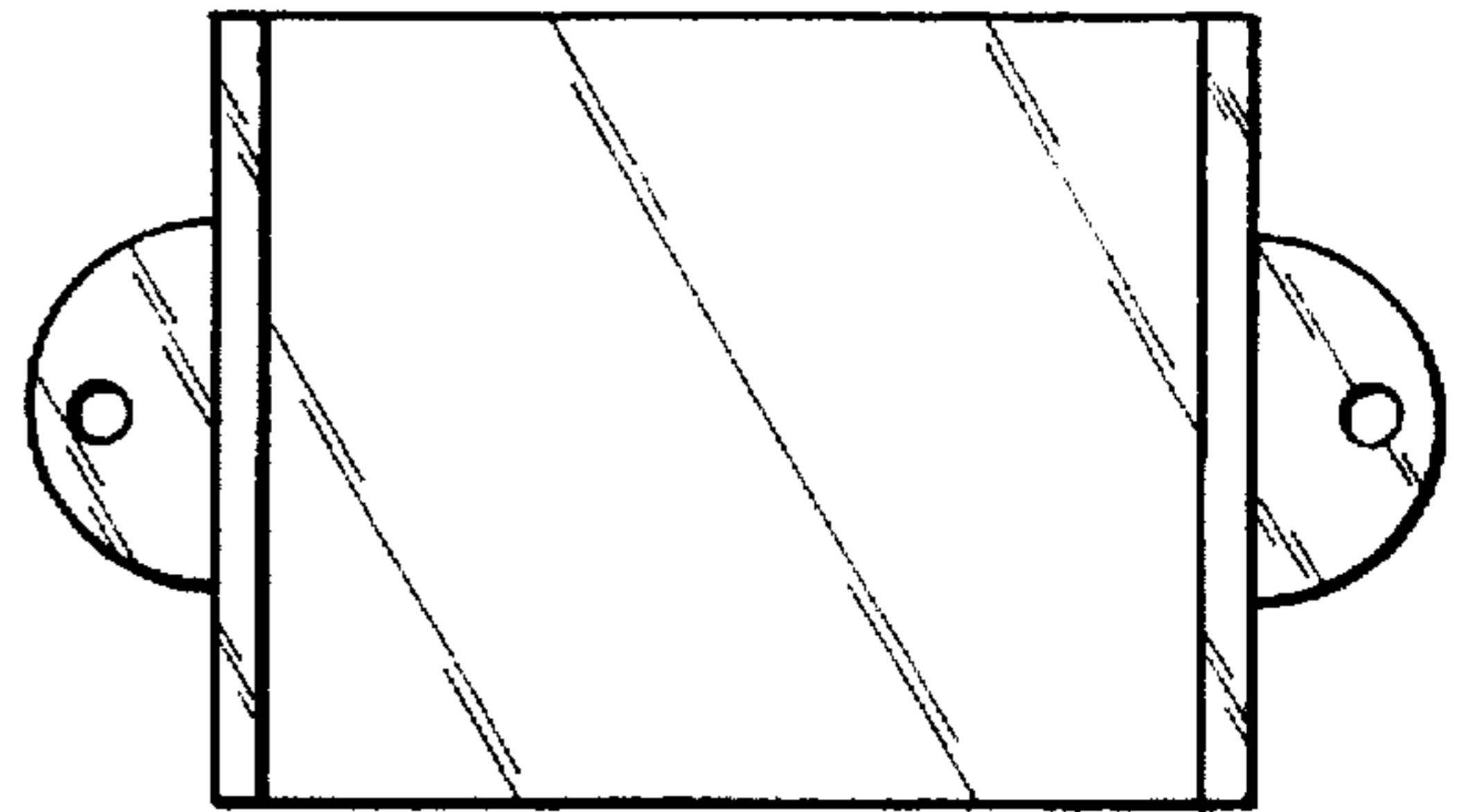


FIG. 8

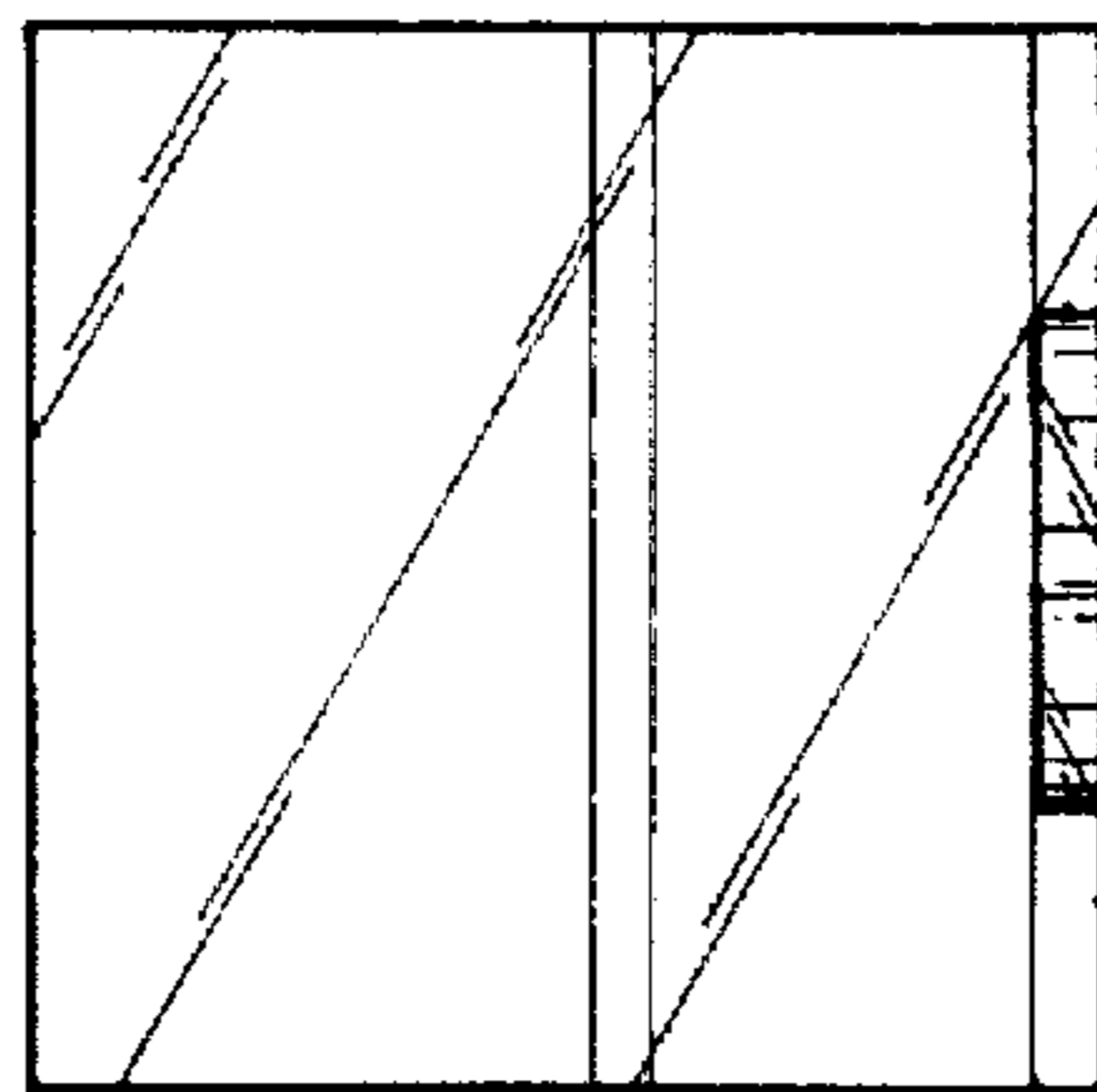


FIG. 7