



US00D396589S

United States Patent [19]

Daansen

[11] Patent Number: **Des. 396,589**

[45] Date of Patent: ****Aug. 4, 1998**

[54] **PUMP TIP FOR A SOAP DISPENSER**

[76] Inventor: **Warren S. Daansen**, P.O. Box 614,
Nashua, N.H. 03061

[**] Term: **14 Years**

[21] Appl. No.: **62,733**

[22] Filed: **Nov. 22, 1996**

[51] LOC (6) Cl. **06-02**

[52] U.S. Cl. **D6/542; D9/448**

[58] Field of Search D6/550, 542, 543-545;
D9/434-436, 439-442, 447-450, 453-454,
499, 503, 338, 300; 215/211, 216, 232;
222/180-183.1, 189, 325, 320, 321, 460,
525, 541, 566, 567, 570, 571, 575; D7/669,
398; D8/14.1; D23/259, 262; D24/137;
D19/55, 51

[56] **References Cited**

U.S. PATENT DOCUMENTS

D. 366,833	2/1996	Daansen	D9/447
D. 370,813	6/1996	Daansen	D6/542
D. 370,814	6/1996	Daansen	D6/545
D. 371,966	7/1996	Daansen	D9/448
D. 377,891	2/1997	Bencich	D9/447 X

D. 378,718	4/1997	Daansen	D6/542
D. 383,674	9/1997	Daansen	D9/448
1,159,605	11/1915	Sprague	222/180
3,163,332	12/1964	Boyle et al.	222/180
3,737,104	6/1973	Scnieder	222/180
4,651,902	3/1987	Hobbs et al.	222/180

Primary Examiner—Jeffrey Asch

Attorney, Agent, or Firm—Vernon C. Maine; Scott J. Asmus

[57] **CLAIM**

The ornamental design for a pump tip for a soap dispenser, as shown and described.

DESCRIPTION

FIG. 1 is a lower-end and side perspective view of the design feature for a pump tip for a soap dispenser; the broken line depiction of a pump tip in this and other figures being for illustrative purposes only and forming no part of the claimed design;

FIG. 2 is an upper-end and side perspective view thereof;

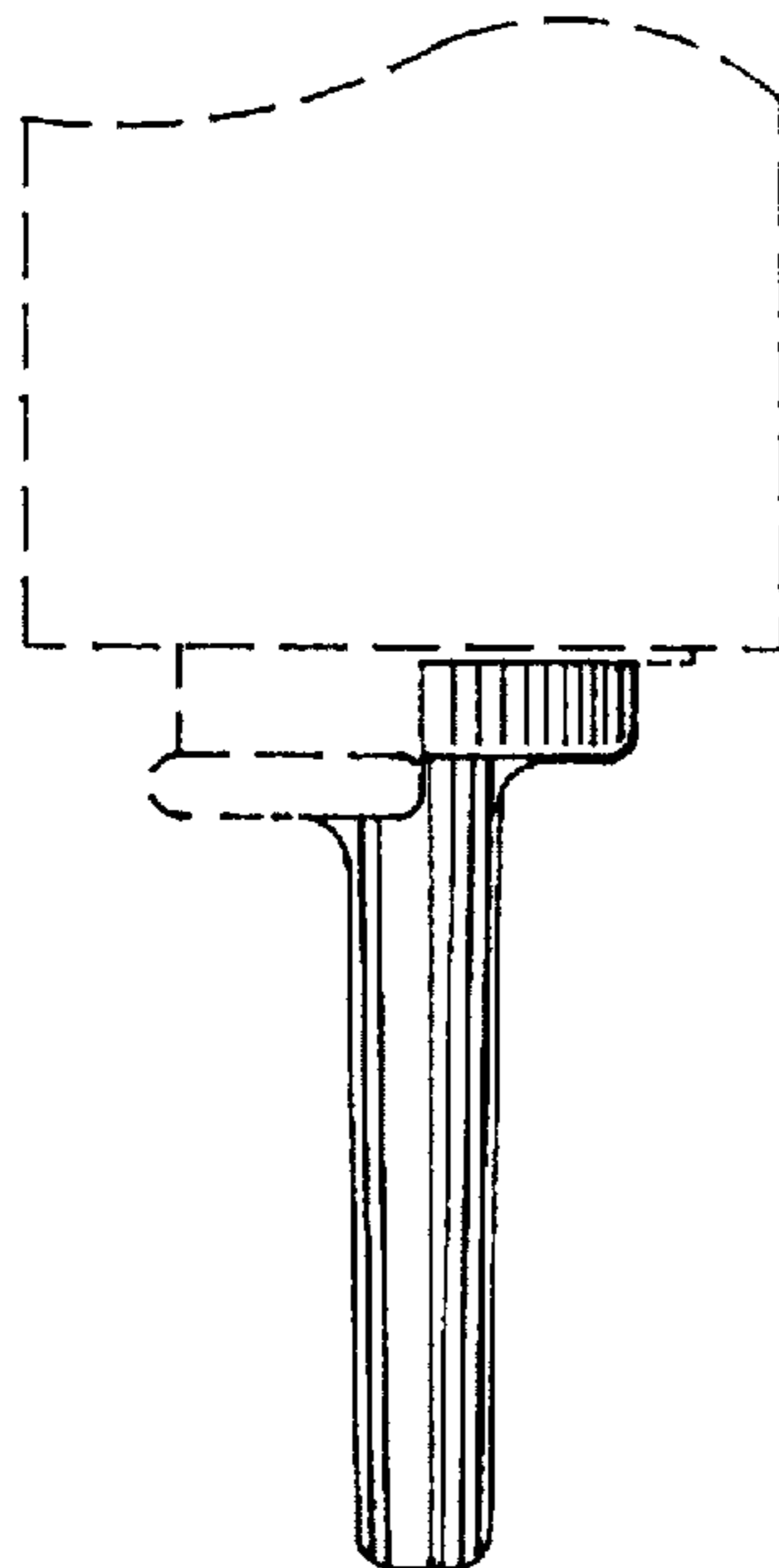
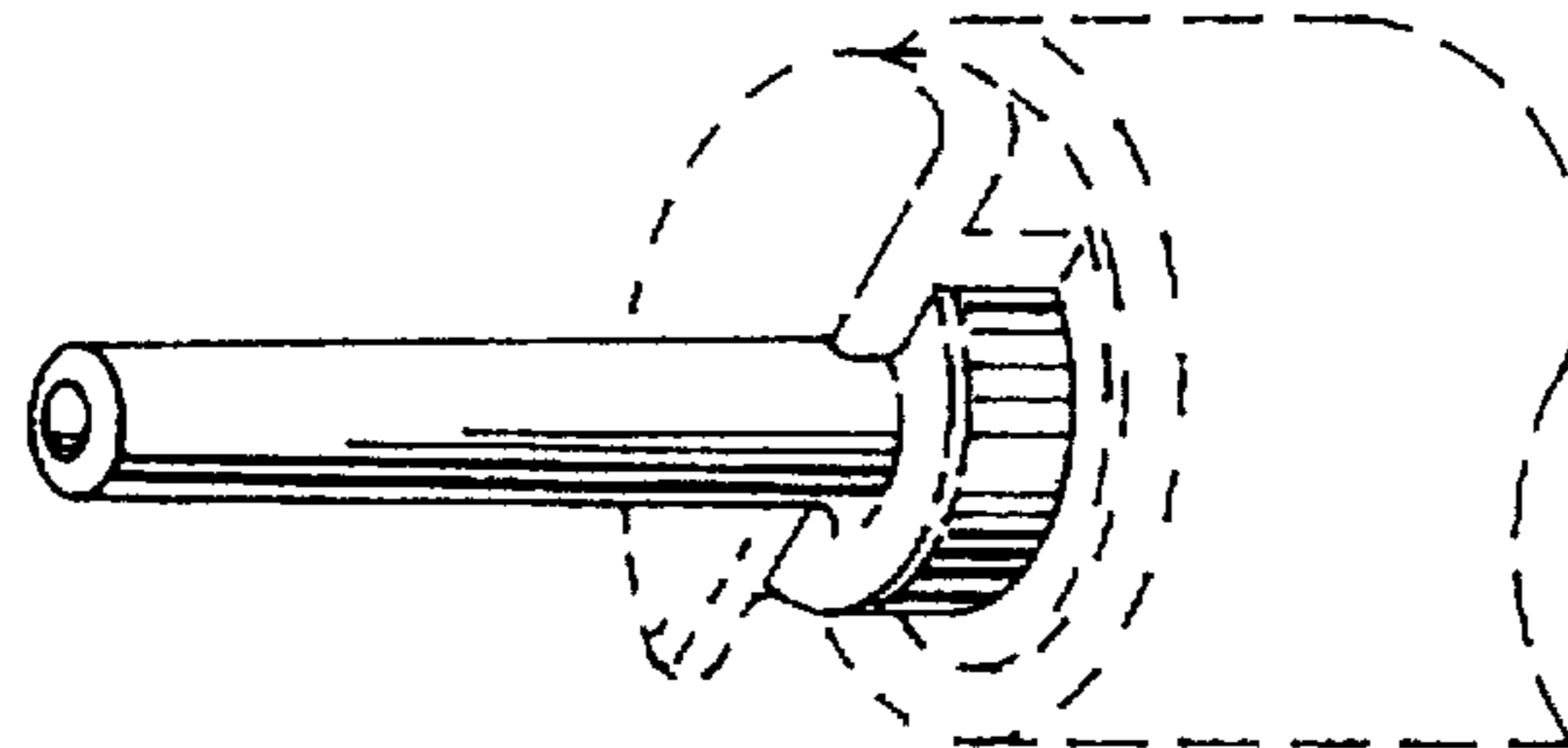
FIG. 3 is an lower-end view thereof;

FIG. 4 is a left side view, the right side being a mirror image thereof;

FIG. 5 is a front view thereof; and,

FIG. 6 is a rear view thereof.

1 Claim, 1 Drawing Sheet



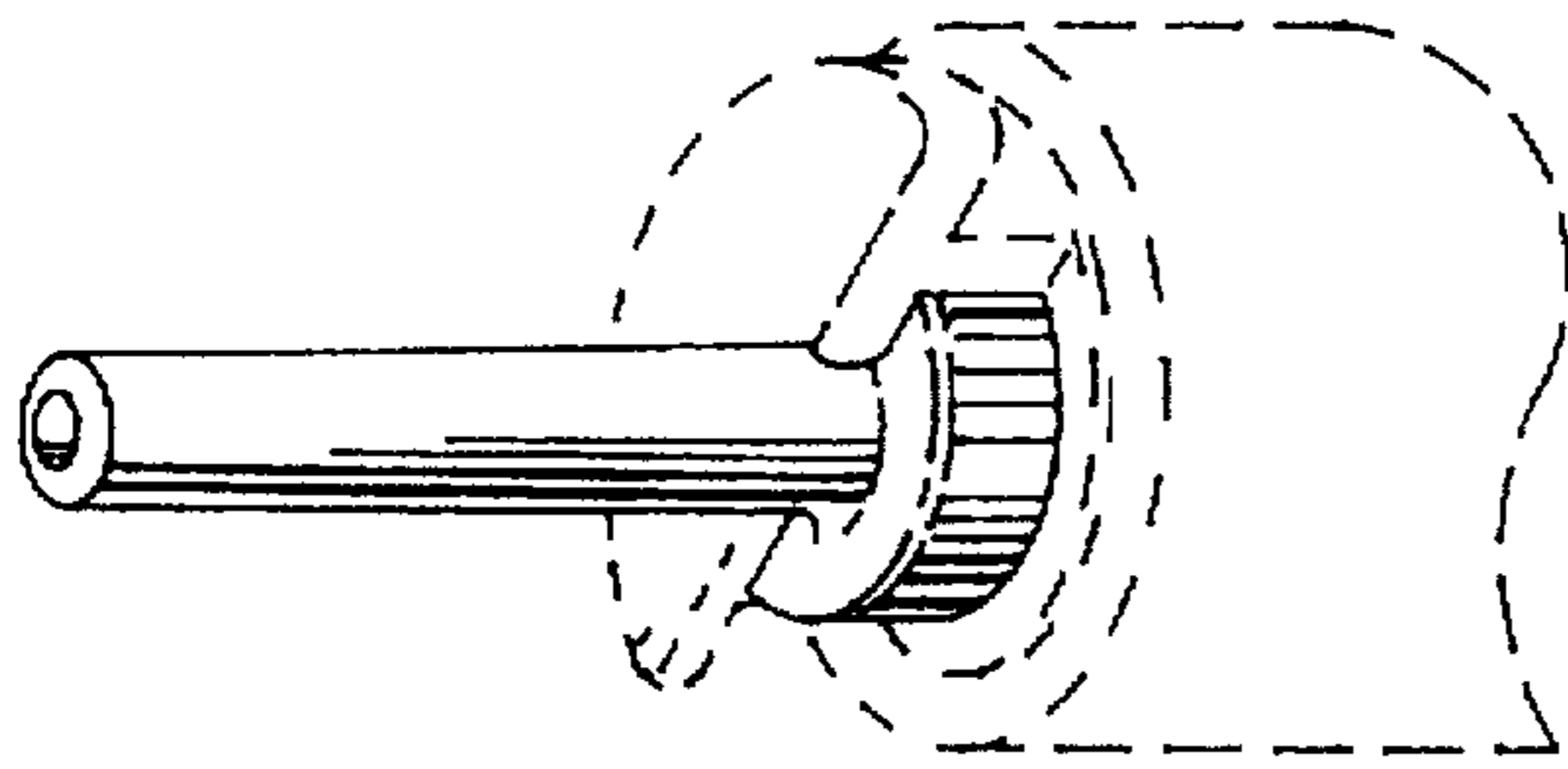


FIG. 1

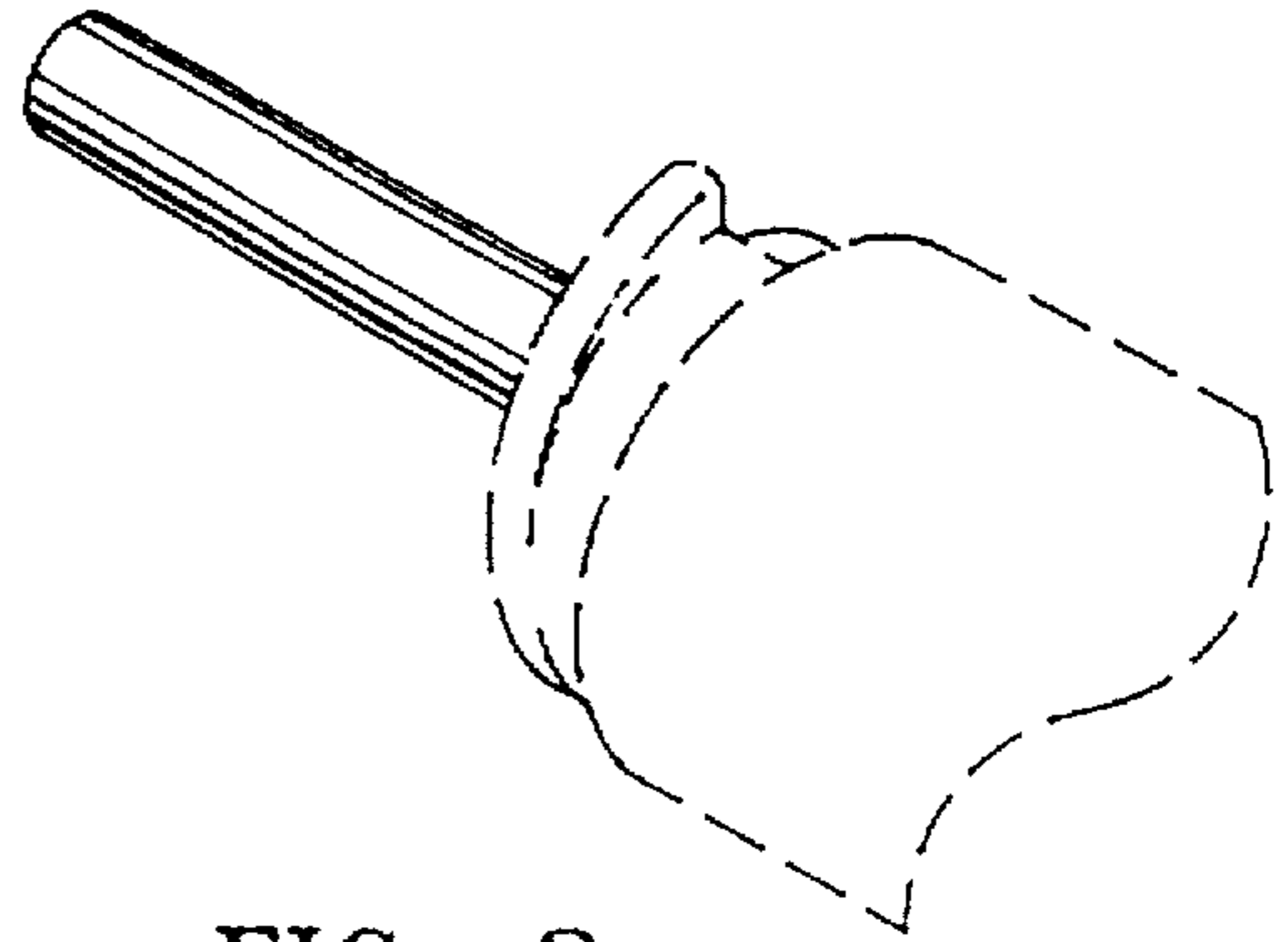


FIG. 2

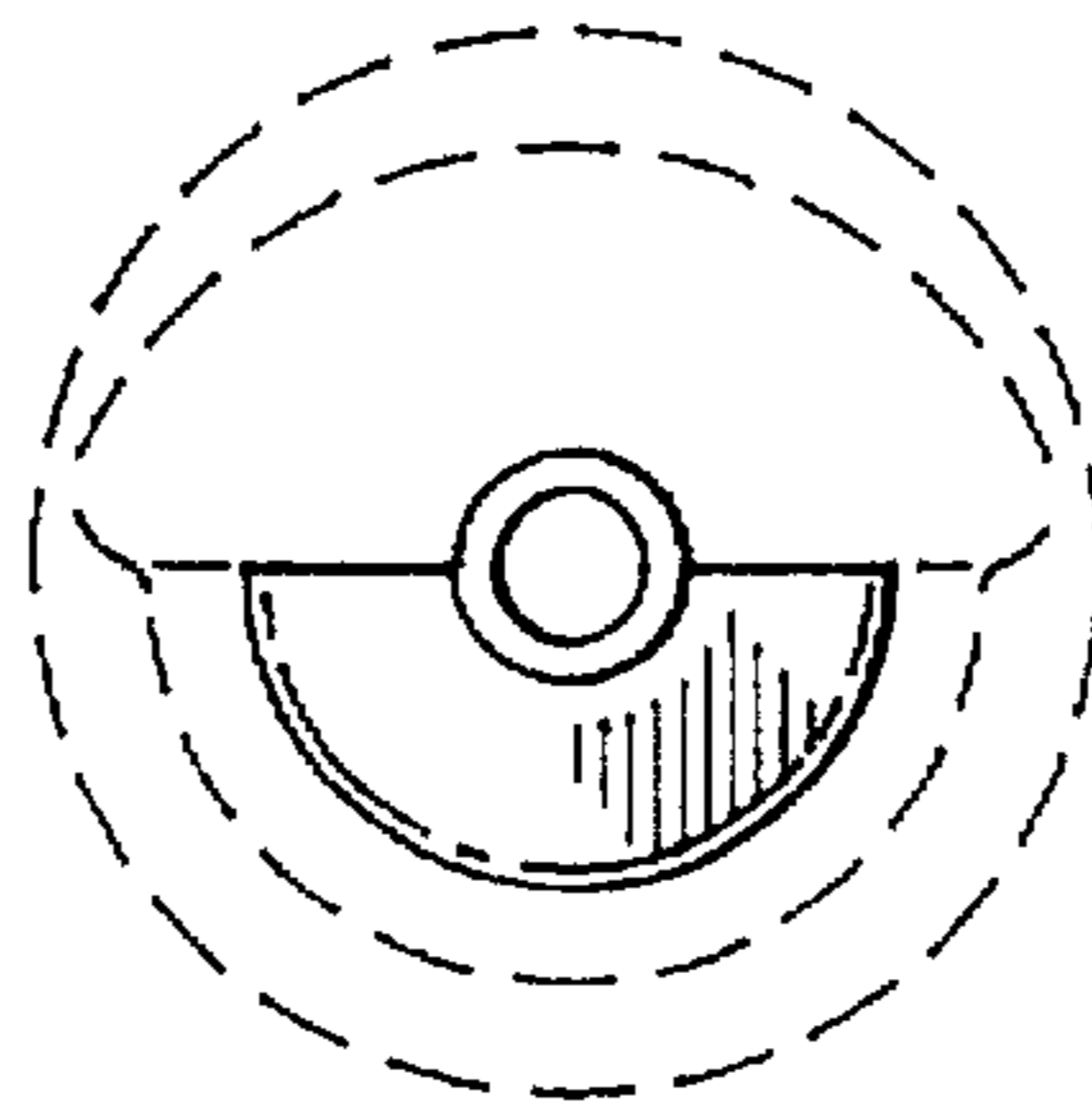


FIG. 3

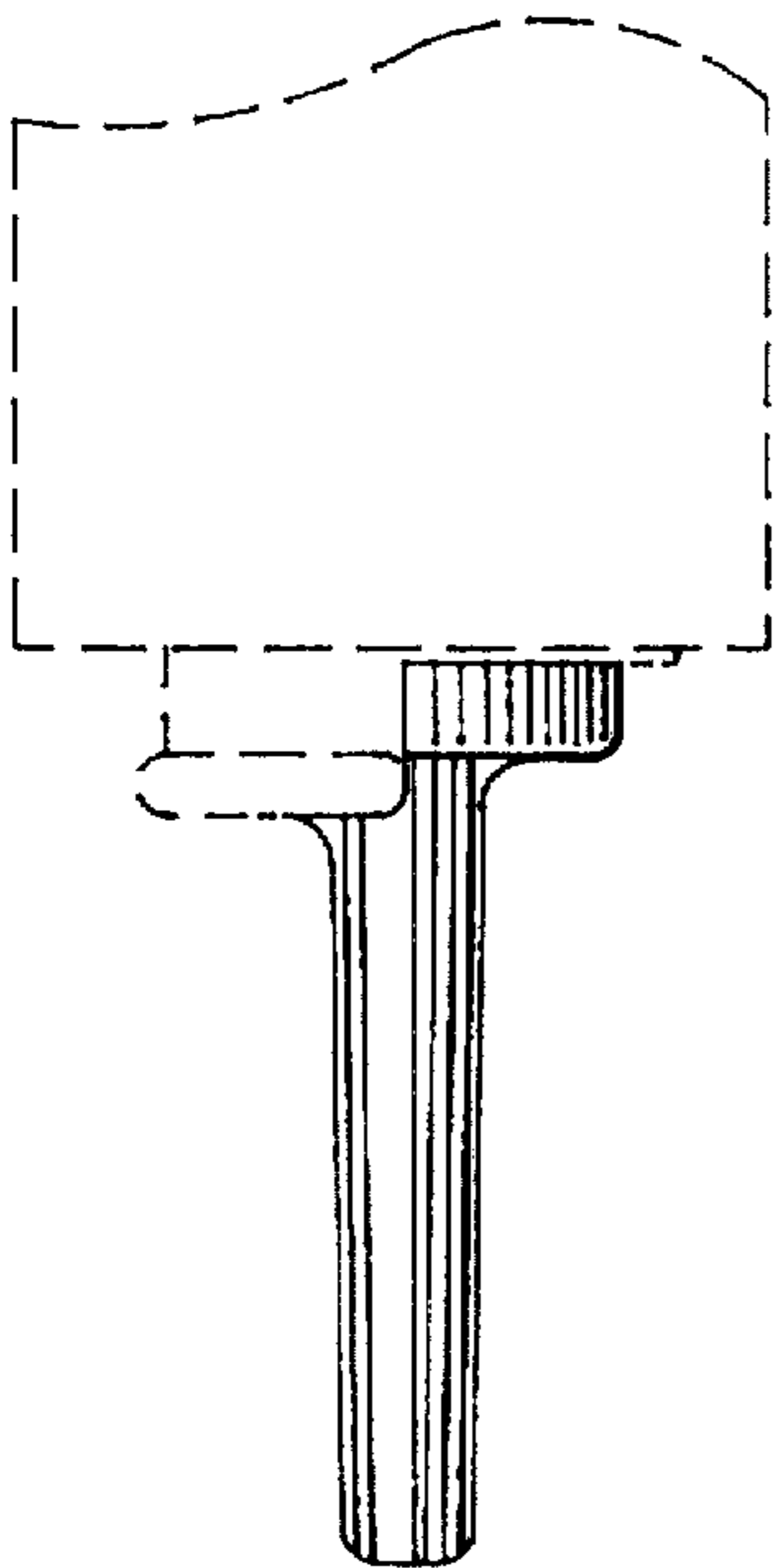


FIG. 4

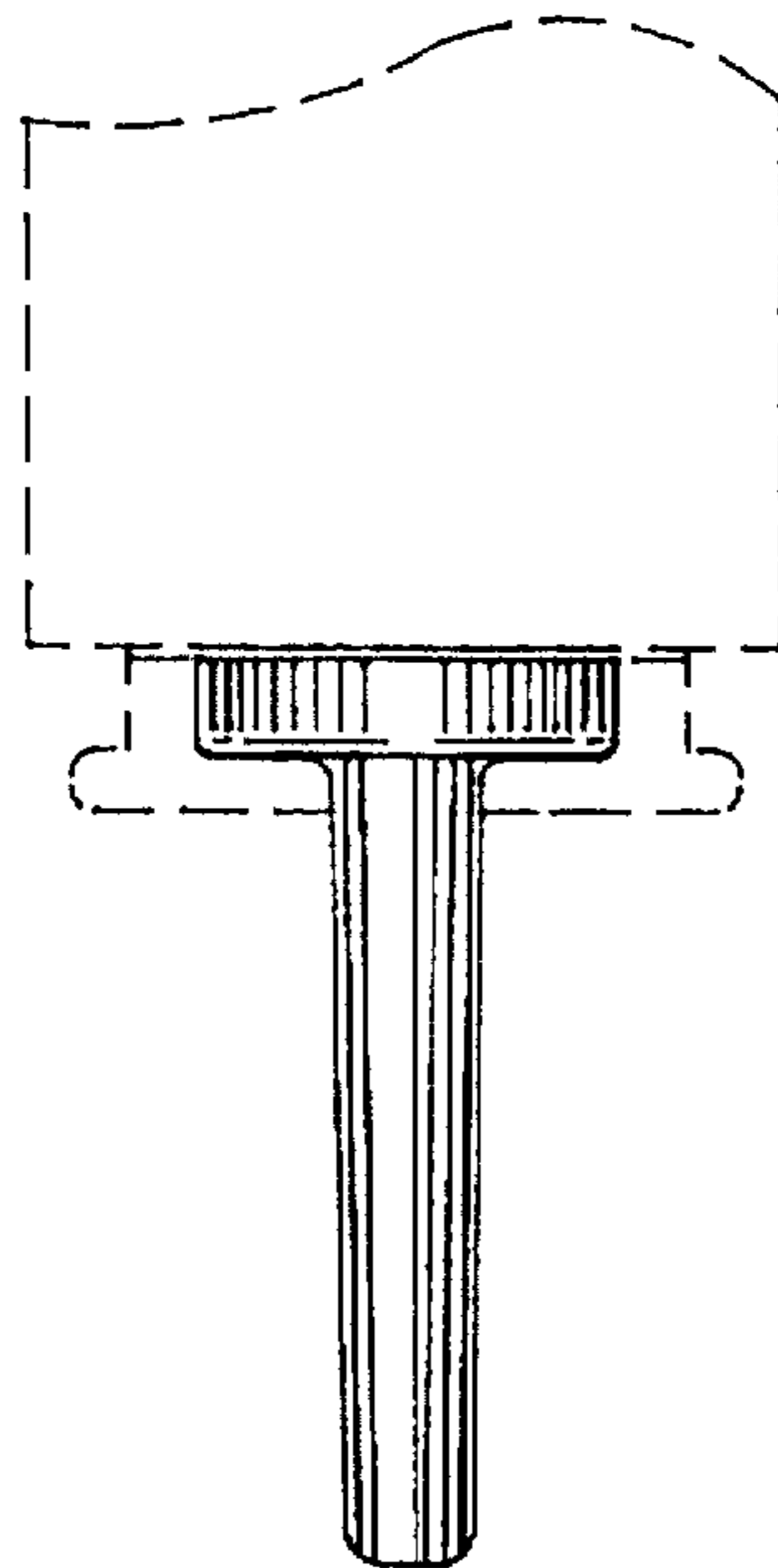


FIG. 5

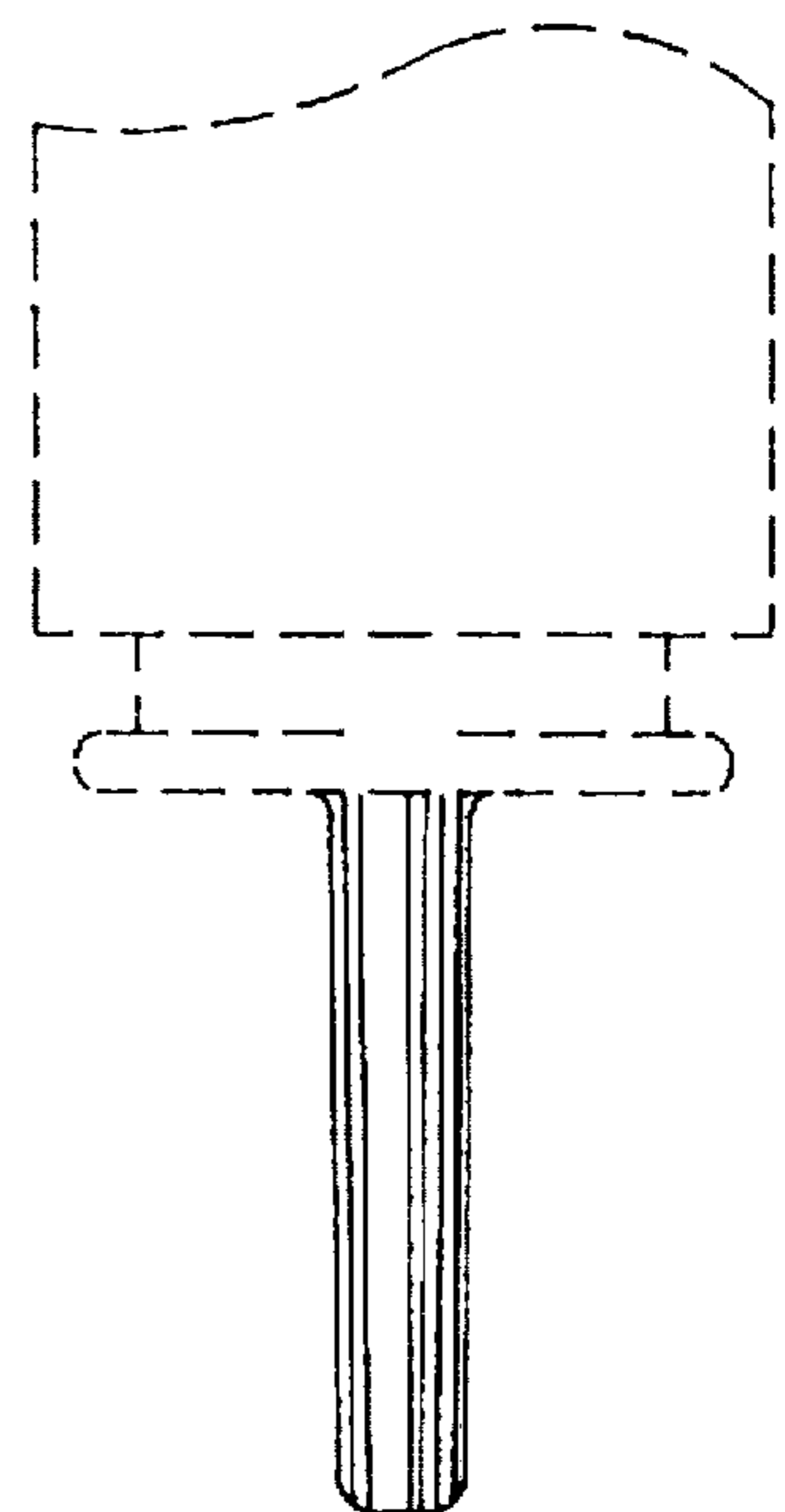


FIG. 6