



US00D396588S

# United States Patent [19]

Mack et al.

[11] Patent Number: **Des. 396,588**

[45] Date of Patent: **\*\*Aug. 4, 1998**

[54] **DISPENSER**

[75] Inventors: **Robert Mack, Flemington; James C. McKinney, Cranbury; Jon Zogg, Westfield, all of N.J.**

[73] Assignee: **Colgate - Palmolive Company, New York, N.Y.**

[\*\*] Term: **14 Years**

[21] Appl. No.: **40,013**

[22] Filed: **Jun. 8, 1995**

[51] LOC (6) Cl. .... **06-02**

[52] U.S. Cl. .... **D6/542; D9/300**

[58] Field of Search ..... **D6/542-545; 59/300; 222/173, 145, 146.3, 92**

### [56] References Cited

#### U.S. PATENT DOCUMENTS

D. 277,073	1/1985	Czech	.....	D9/336
D. 296,060	6/1988	Wilkinson	.....	D6/542
D. 306,554	3/1990	Lawson	.....	D9/300
D. 307,113	4/1990	Thompson	.....	D9/373
D. 311,861	11/1990	Van Houtte	.....	D9/300
D. 313,181	12/1990	Pettengill	.....	D9/403
D. 315,496	3/1991	Pettengill	.....	D9/373
D. 320,735	10/1991	Pettengill	.....	D9/373
D. 332,739	1/1993	Petschek	.....	D6/542 X
D. 344,231	2/1994	Gagnon	.....	D9/300
3,166,221	1/1965	Nielsen	.....	222/137
3,236,418	2/1966	Dalle et al.	.....	222/135
3,446,401	5/1969	Flowers	.....	222/146.3
4,773,562	9/1988	Gueret	.....	222/135
4,838,457	6/1989	Swahl et al.	.....	222/48

4,974,756	12/1990	Pearson et al.	.....	222/562
4,989,758	2/1991	Keller	.....	222/137
5,020,694	6/1991	Pettengill	.....	222/137
5,038,963	8/1991	Pettengill et al.	.....	222/145
5,169,029	12/1992	Behar et al.	.....	222/1
5,224,627	7/1993	Weag	.....	222/135
5,289,949	3/1994	Gentile	.....	222/137
5,332,124	7/1994	Cancro et al.	.....	222/137
5,335,827	8/1994	Gentile	.....	222/137

#### FOREIGN PATENT DOCUMENTS

0388185	9/1990	European Pat. Off.	.....	B65D 83/00
9414680	7/1994	WIPO	.....	B65D 81/32

Primary Examiner—Brian N. Vinson  
Attorney, Agent, or Firm—Michael McGreal

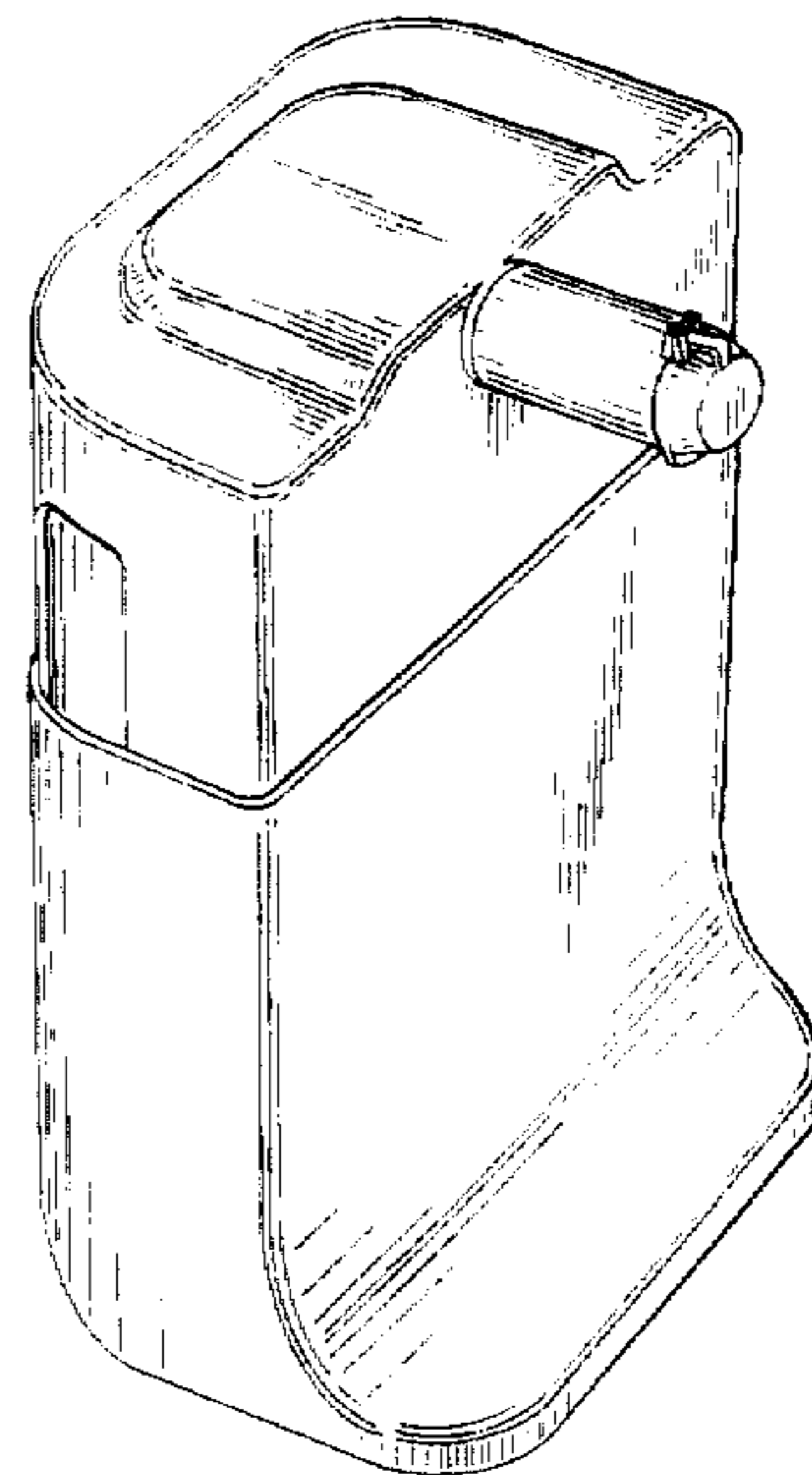
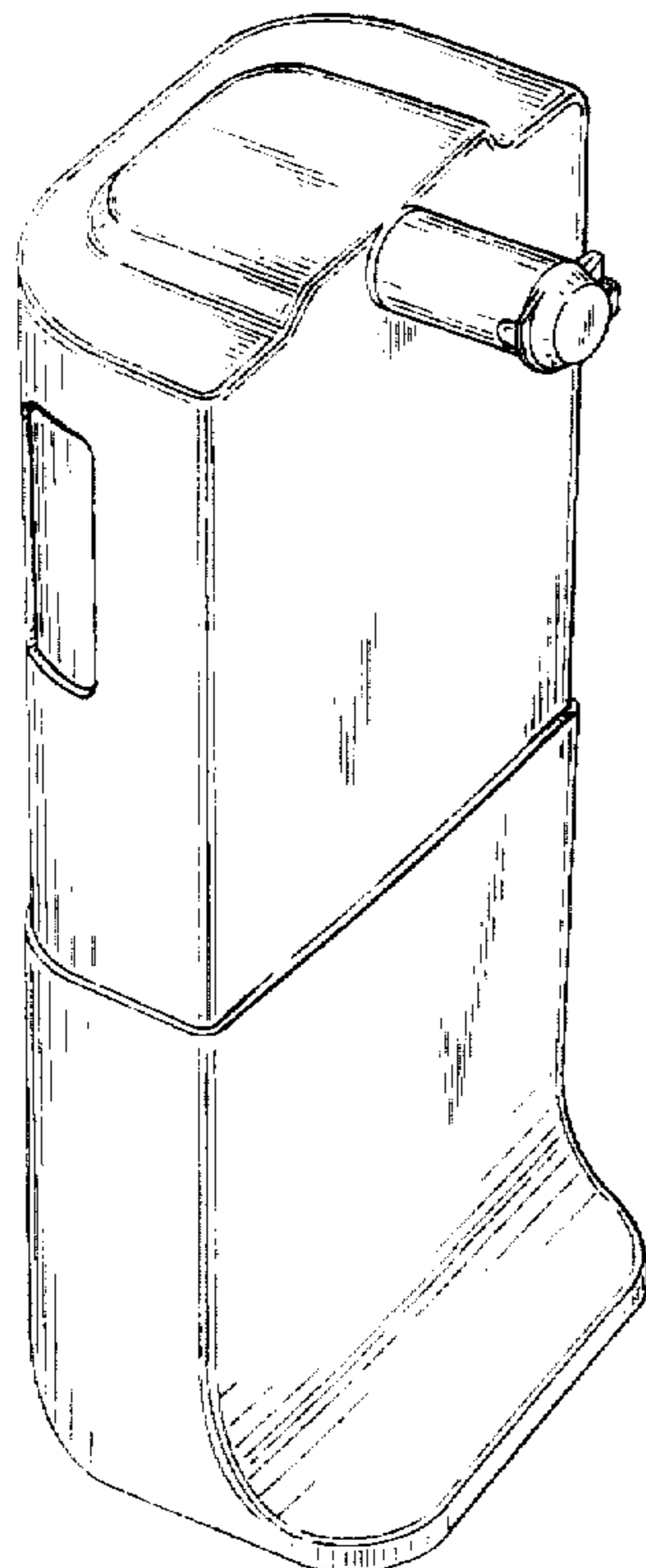
### [57] CLAIM

The ornamental design for a dispenser, as shown and described.

### DESCRIPTION

FIG. 1 is a top, front, and left side perspective view of a dispenser showing our new design;  
 FIG. 2 is a front elevational view thereof;  
 FIG. 3 is a rear elevational view thereof;  
 FIG. 4 is a left side elevational view thereof;  
 FIG. 5 is a right side elevational view thereof;  
 FIG. 6 is a top plan view thereof;  
 FIG. 7 is a bottom view thereof;  
 FIG. 8 is a top, front, and left side perspective view thereof, shown in a retracted position; and,  
 FIG. 9 is a fragmentary front elevational view thereof, showing the closure element rotated to a vertical position.

1 Claim, 8 Drawing Sheets



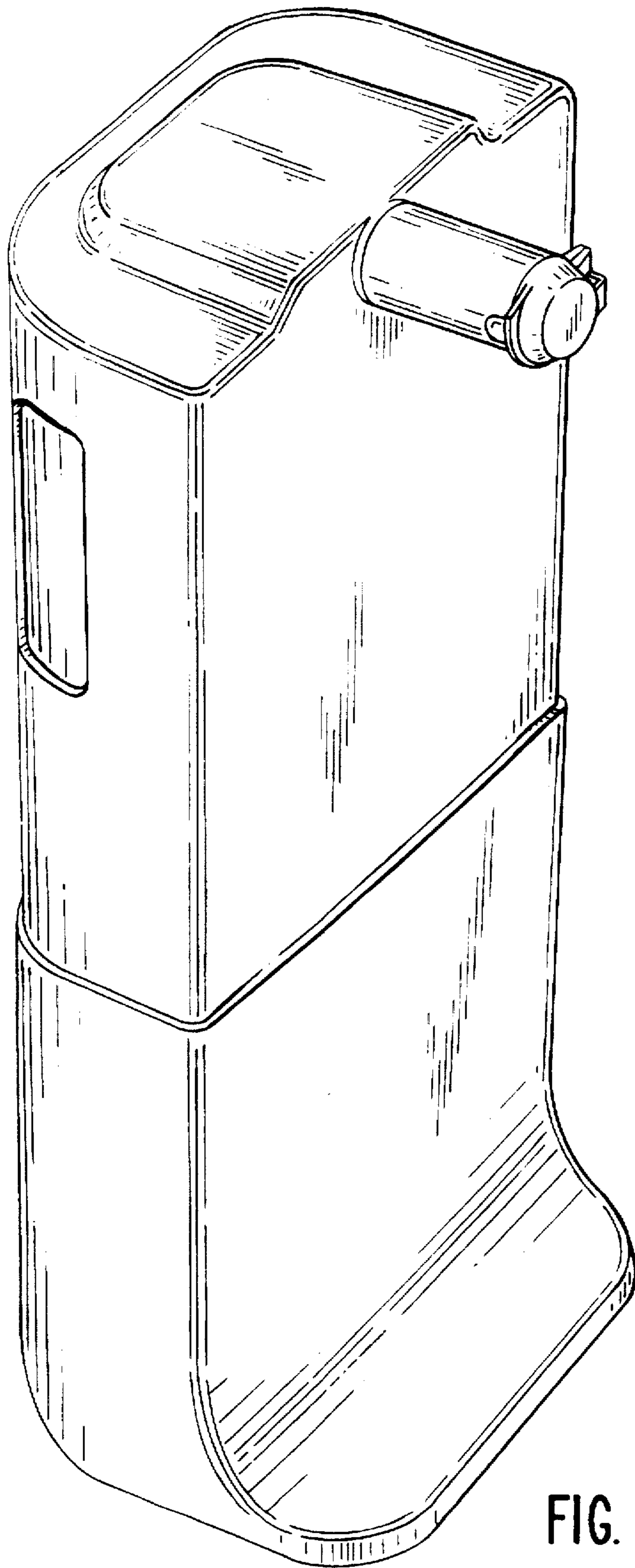


FIG. 1

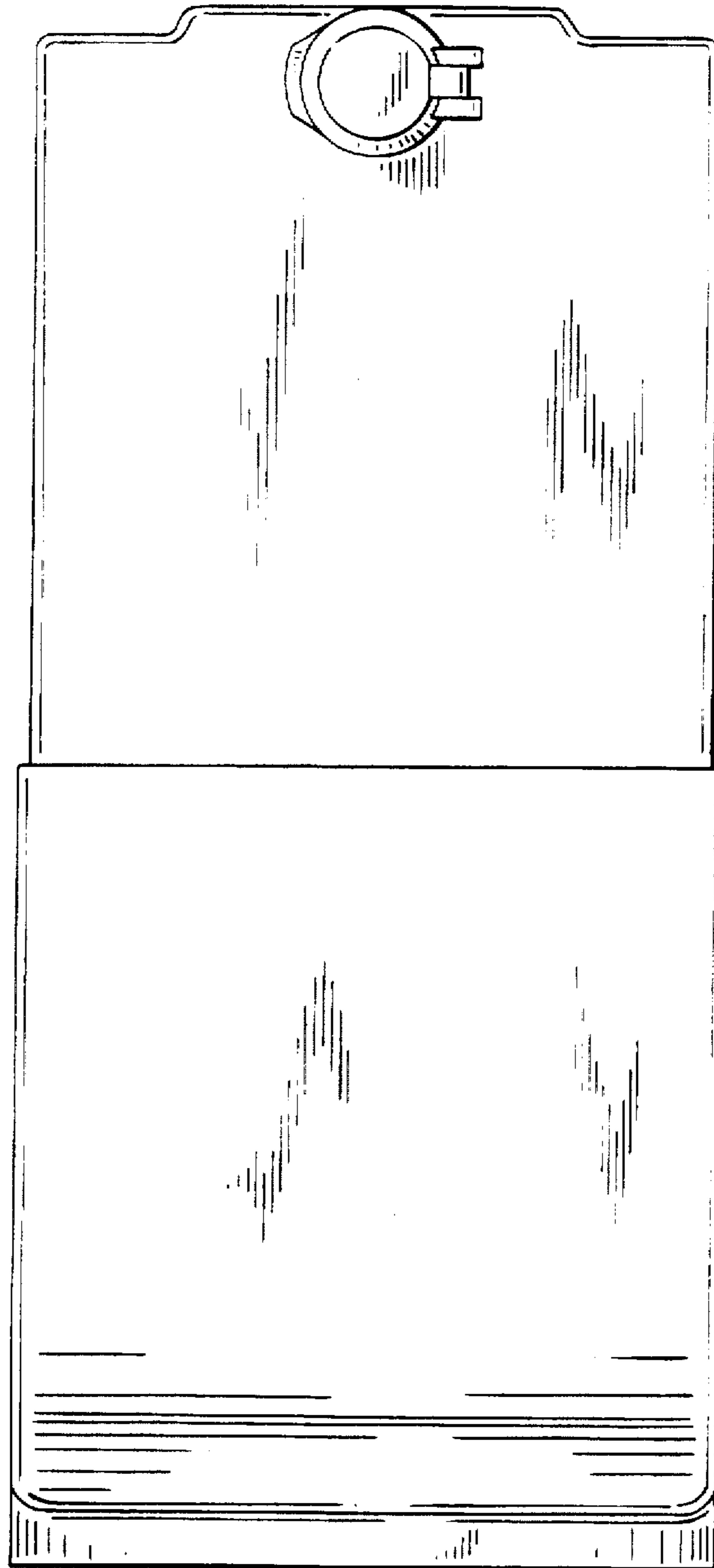


FIG. 2

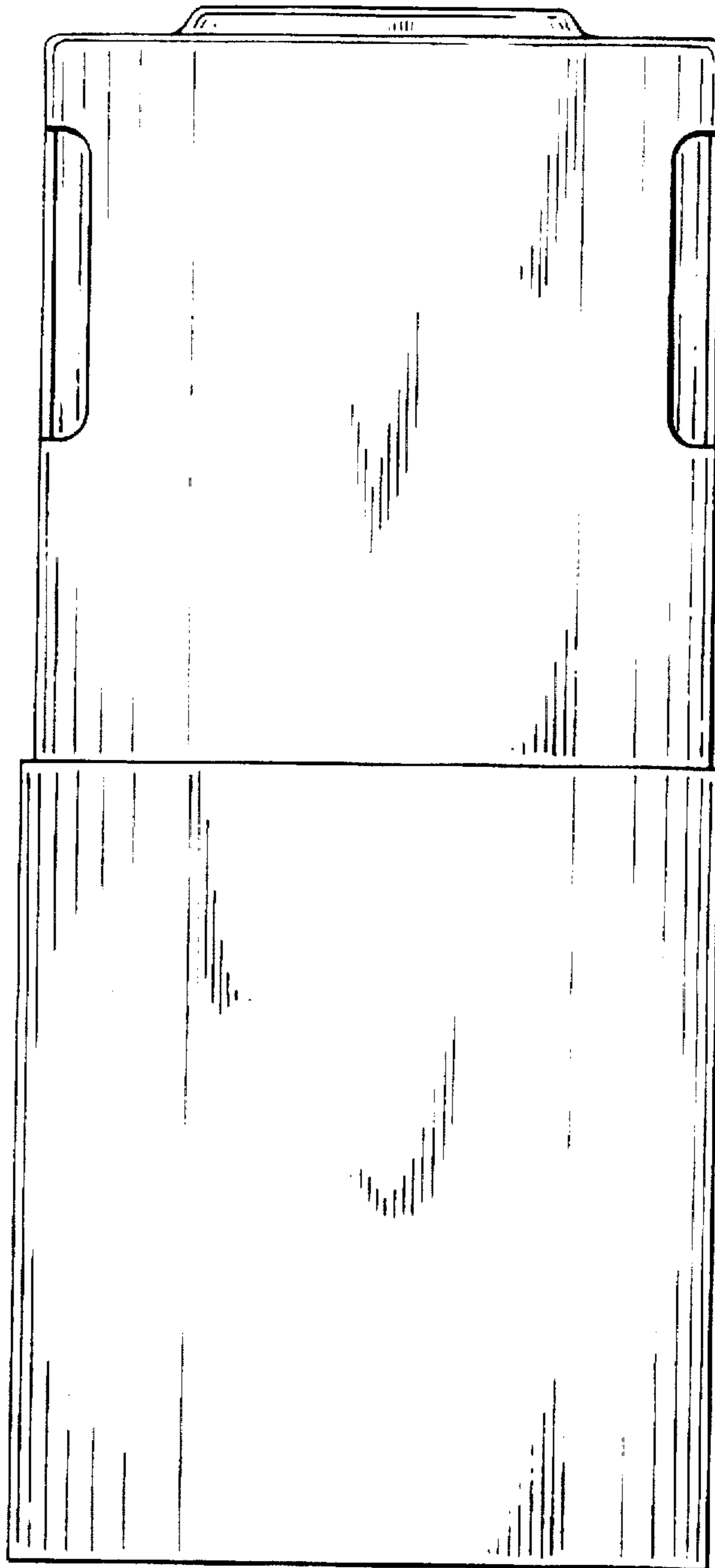


FIG. 3

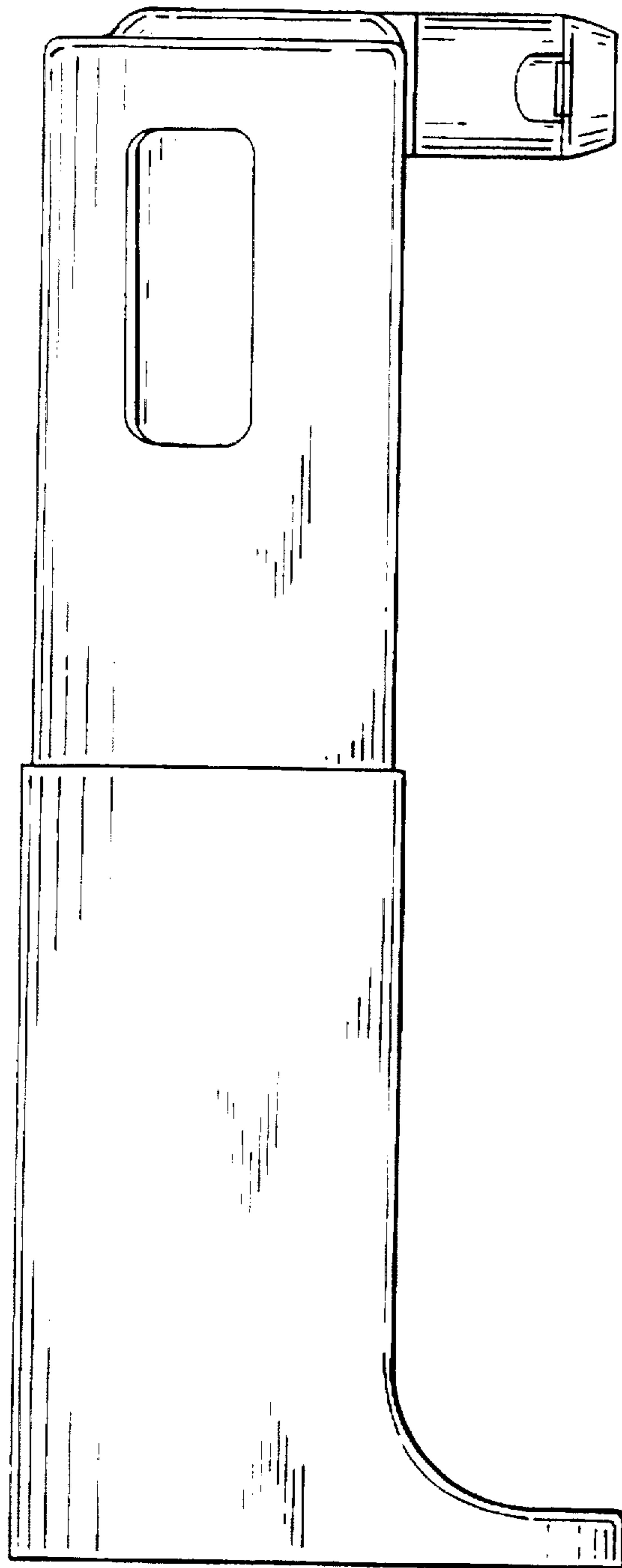


FIG. 4

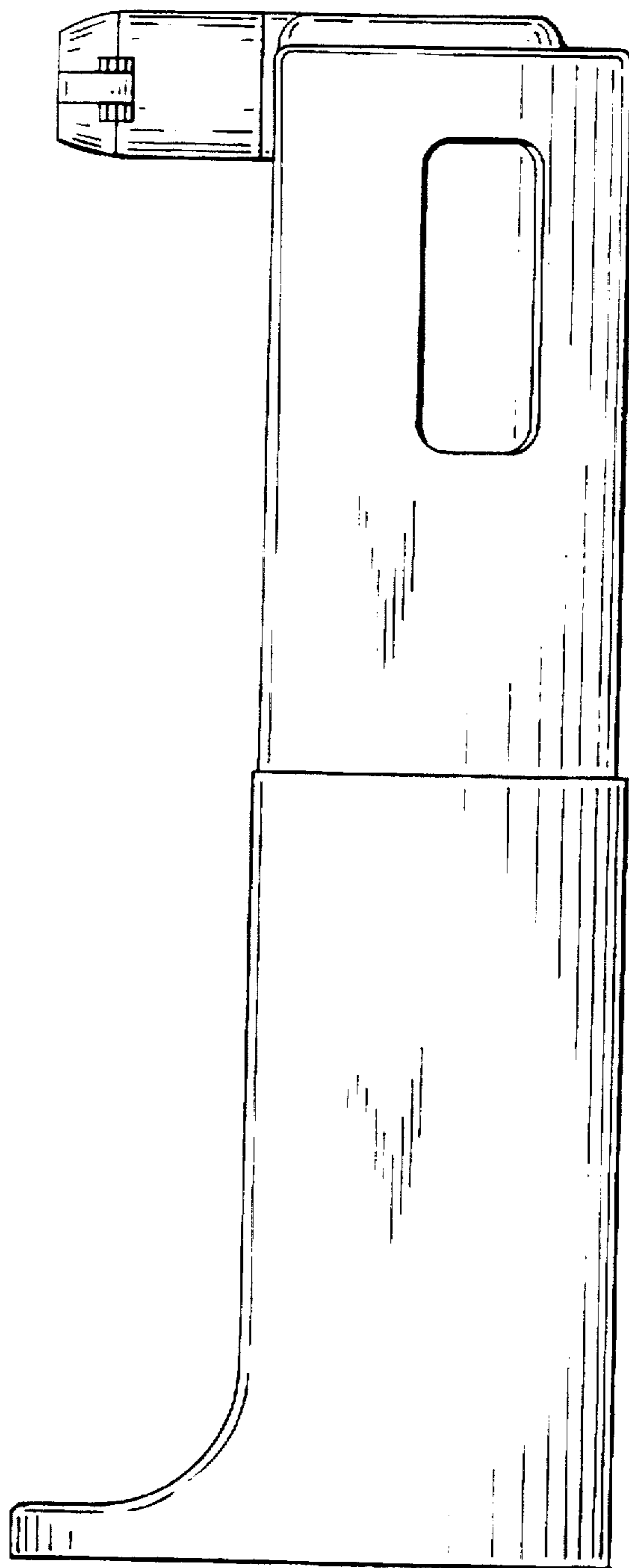


FIG. 5



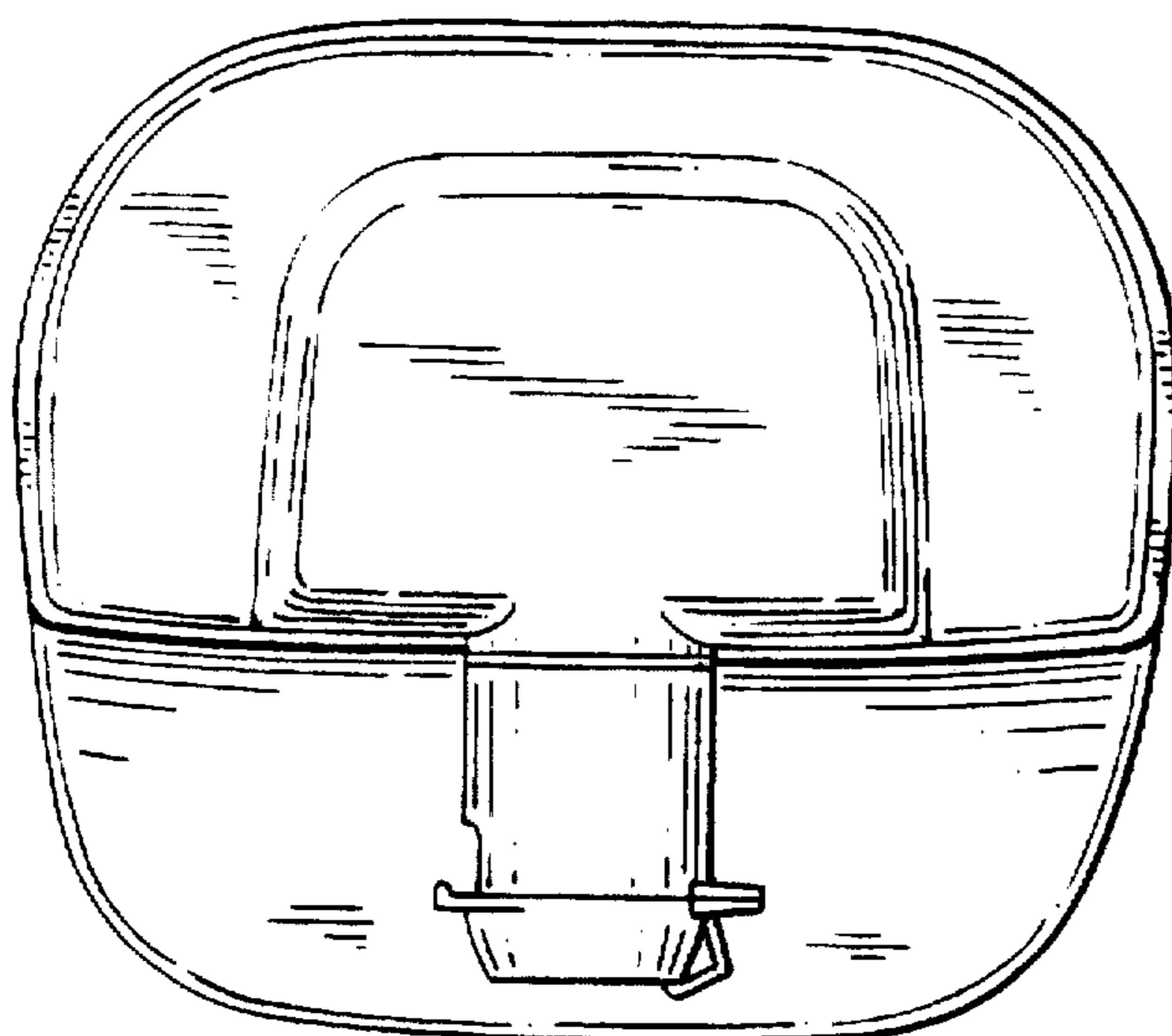


FIG. 6

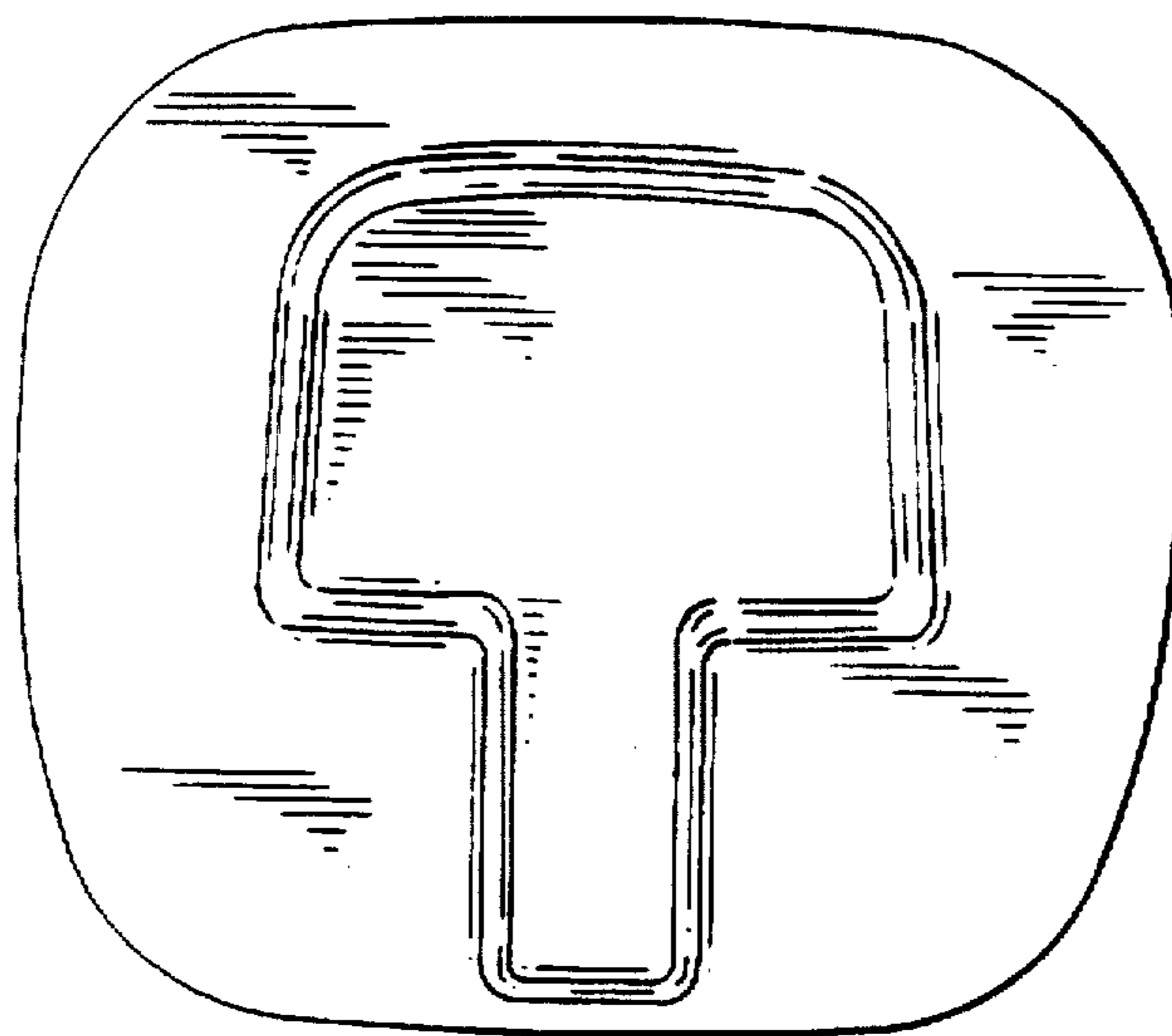


FIG. 7

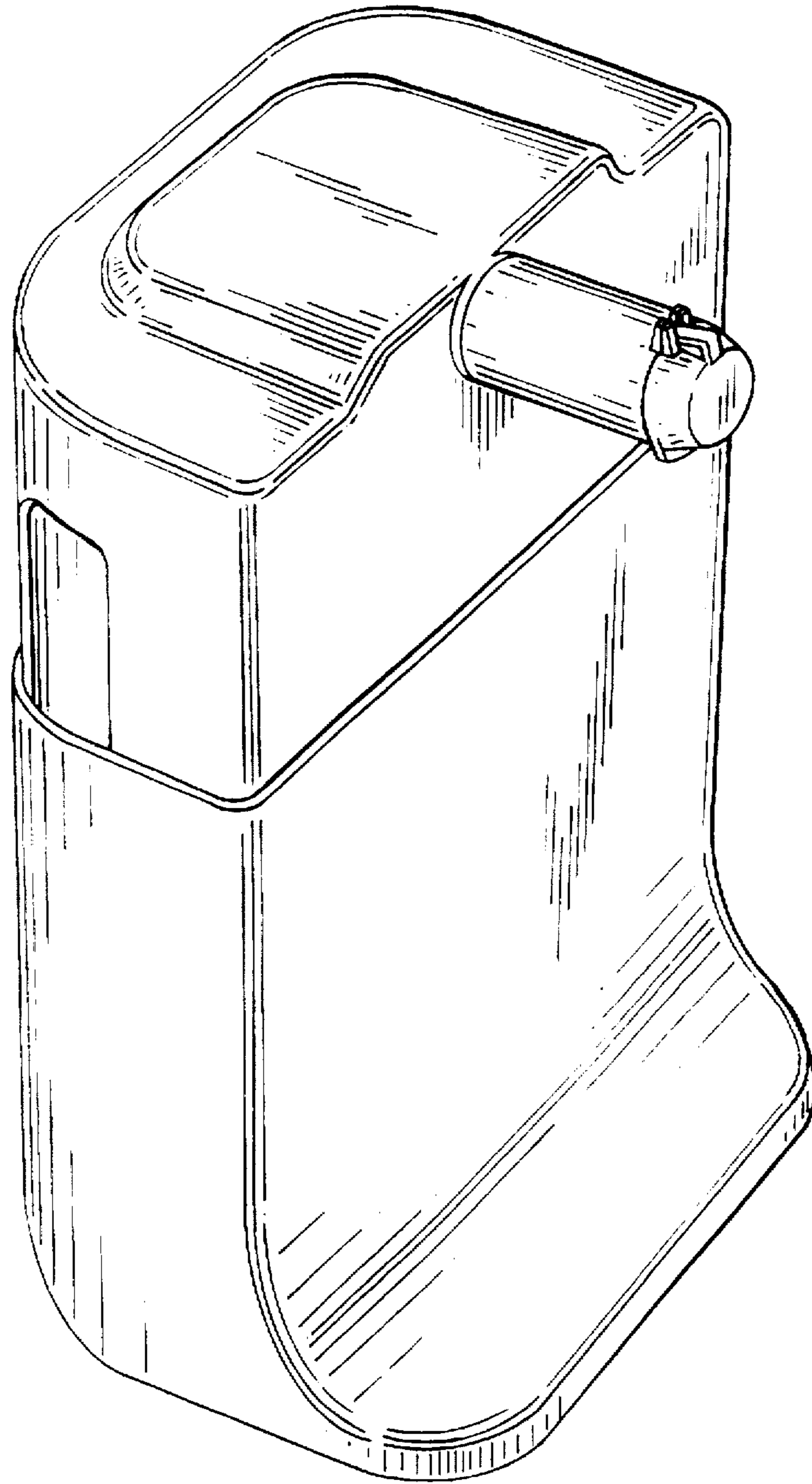
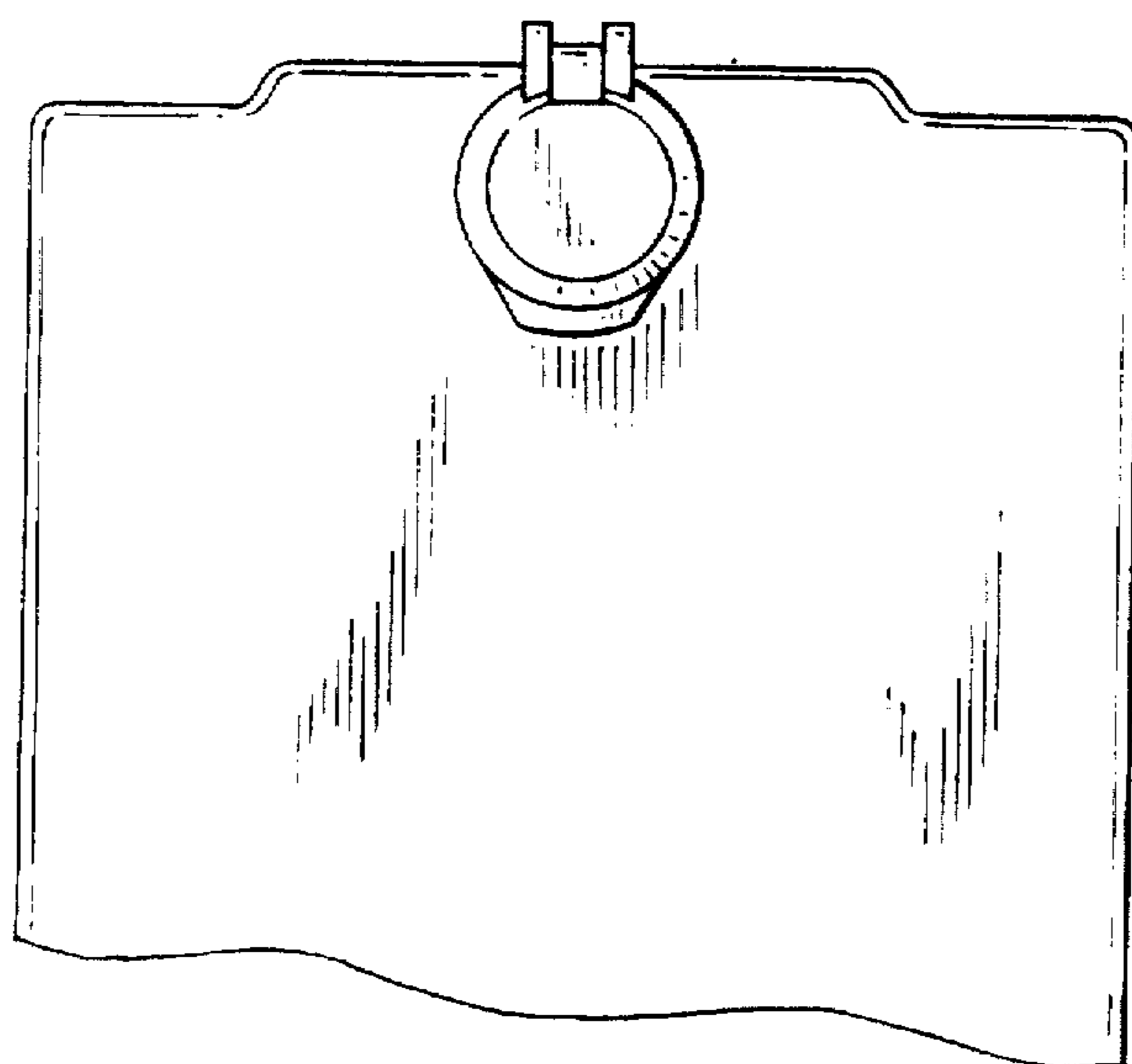


FIG. 8





**FIG. 9**