



US00D396585S

United States Patent [19]
Hofman

[11] **Patent Number: Des. 396,585**
[45] **Date of Patent: **Aug. 4, 1998**

[54] **WIRE SHOWER CADDY** 5,588,543 12/1996 Finger 211/90
5,620,105 4/1997 Macek 211/119

[75] **Inventor: James A. Hofman, Holkessin, Del.**

OTHER PUBLICATIONS

[73] **Assignee: Zenith Products Corporation, New Castle, Del.**

Provender Catalogue, p. 11, Shower Caddy, Aug. 14, 1981.

[**] **Term: 14 Years**

Primary Examiner—Pamela Burgess

Attorney, Agent, or Firm—Edgar A. Zarins; Malcolm L. Sutherland

[21] **Appl. No.: 75,799**

[57] **CLAIM**

[22] **Filed: Sep. 4, 1997**

The ornamental design for a wire shower caddy, as shown and described.

[51] **LOC (6) Cl. 06-04**

[52] **U.S. Cl. D6/525**

[58] **Field of Search** D6/525, 566, 524, D6/526, 527, 537, 552; 211/13.1, 49.1, 60.1, 70.6, 71, 74-75, 86-88, 90, 119, 128, 134, 181; 248/108-109, 175-176

DESCRIPTION

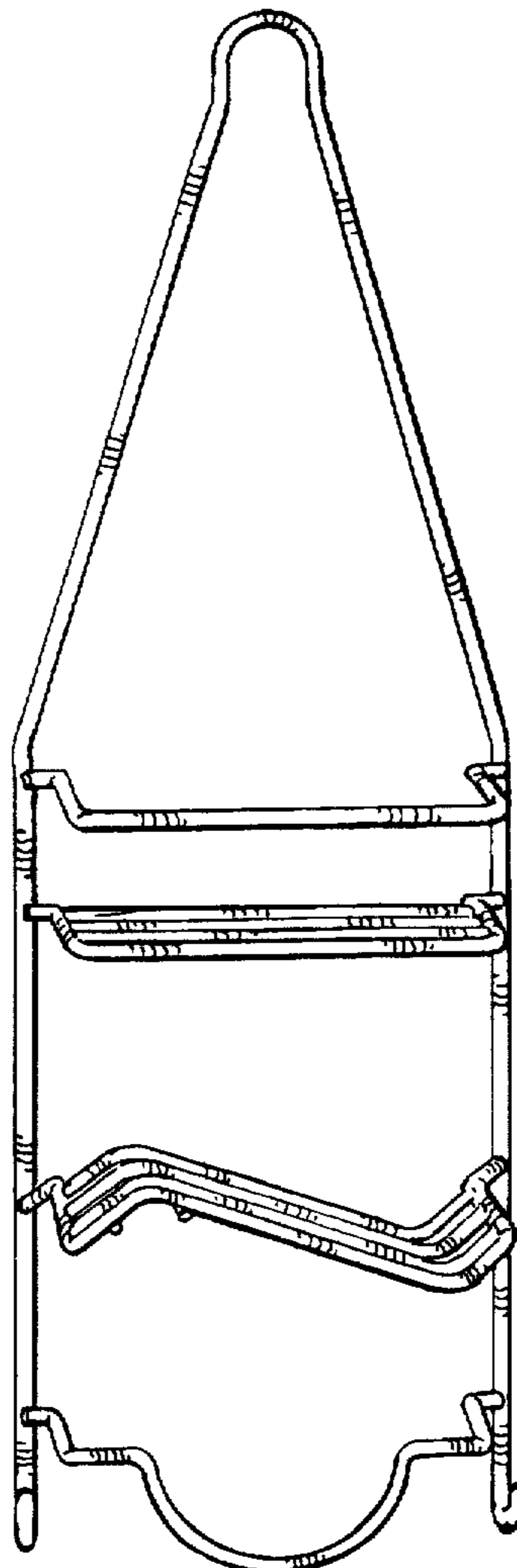
FIG. 1 is a perspective view of a wire shower caddy showing my new design;
FIG. 2 is a front elevational view thereof;
FIG. 3 is a left side elevational view thereof;
FIG. 4 is a right side elevational view thereof;
FIG. 5 is a rear elevational view thereof;
FIG. 6 is a top plan view thereof; and,
FIG. 7 is a bottom plan view thereof.

[56] **References Cited**

U.S. PATENT DOCUMENTS

D. 294,902	3/1988	Sussman	D6/525
D. 377,286	1/1997	Munoz	D6/525
3,789,996	2/1974	Stroh	211/119
4,573,591	3/1986	Chap	211/113

1 Claim, 3 Drawing Sheets



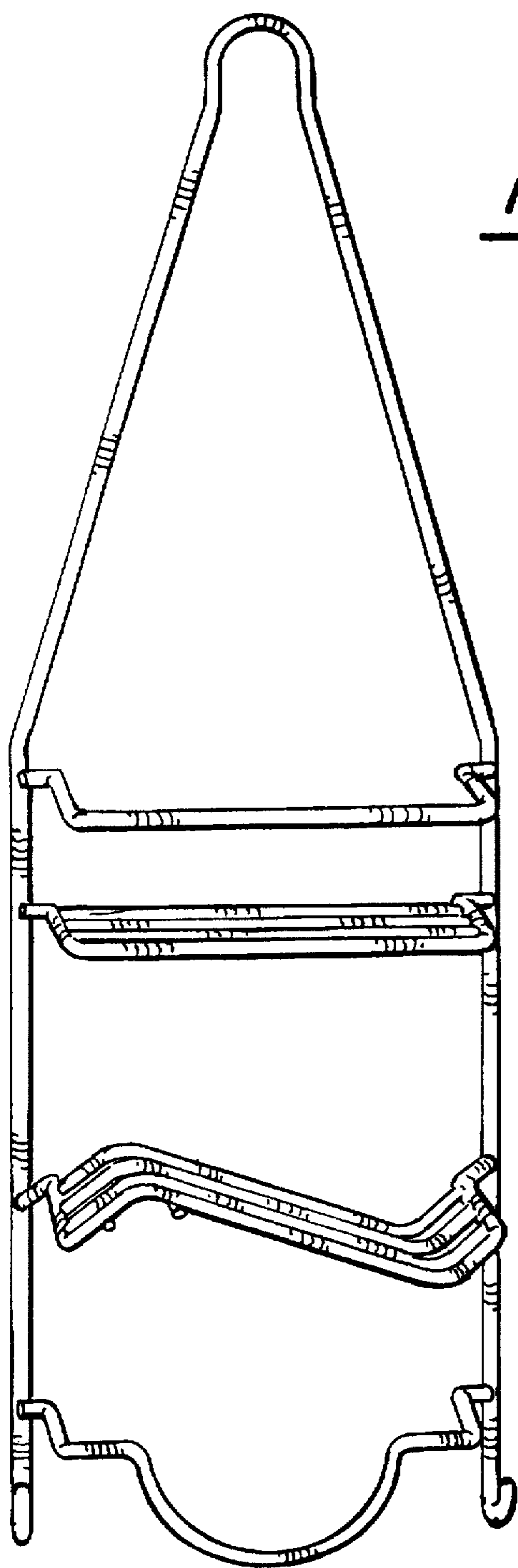


Fig-1

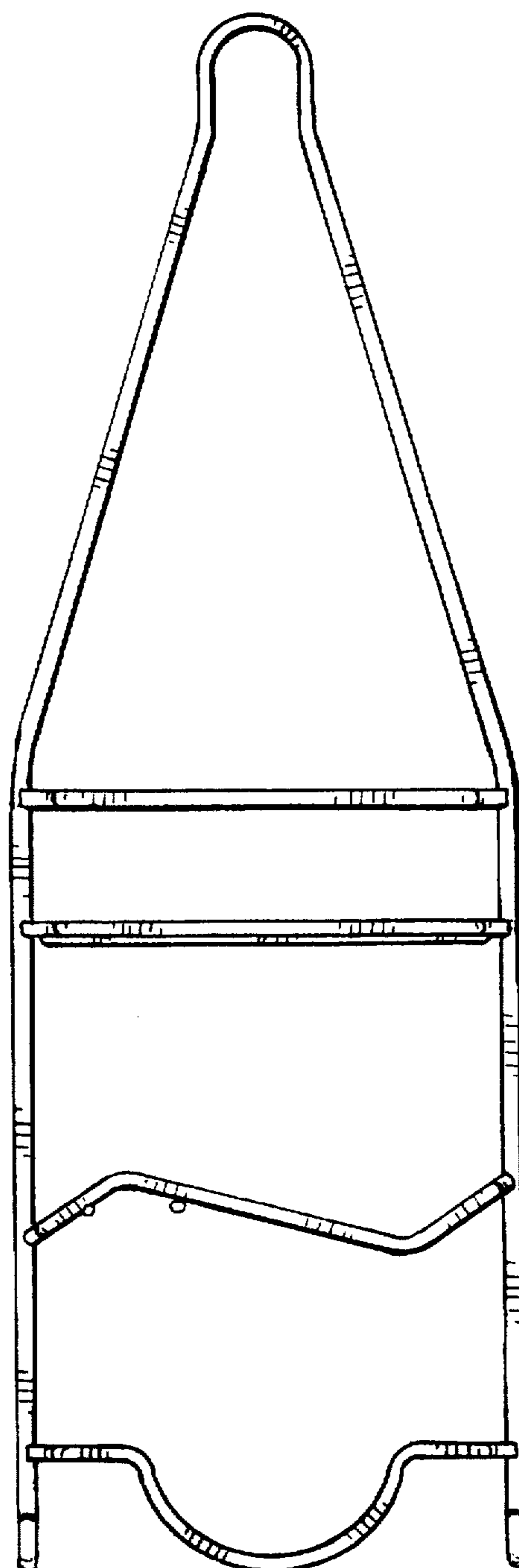


Fig-2

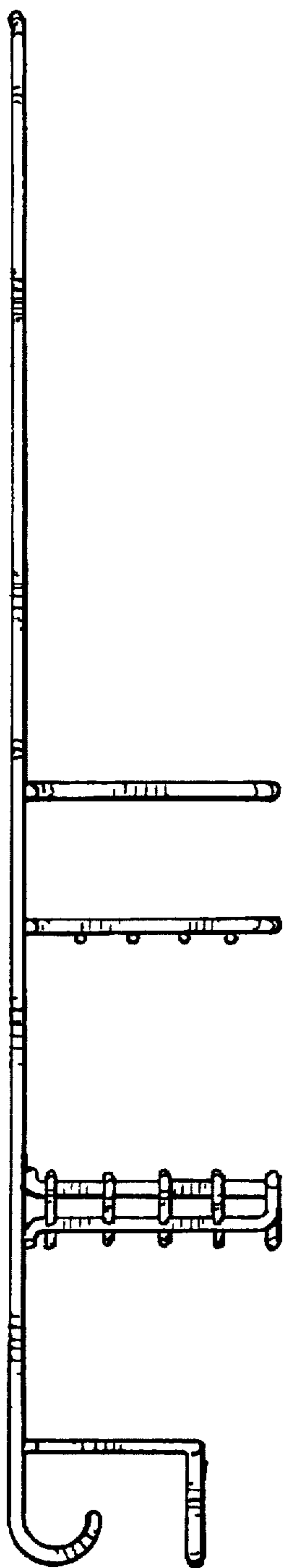


Fig-3

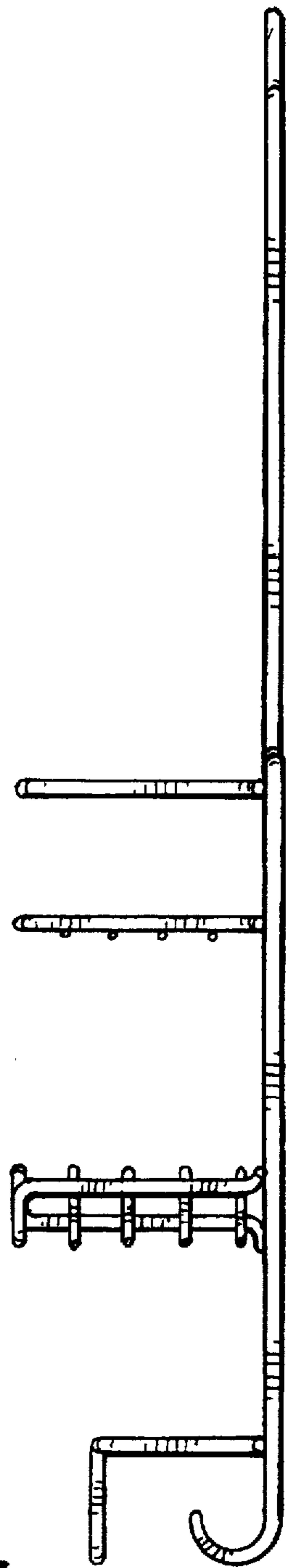


Fig-4

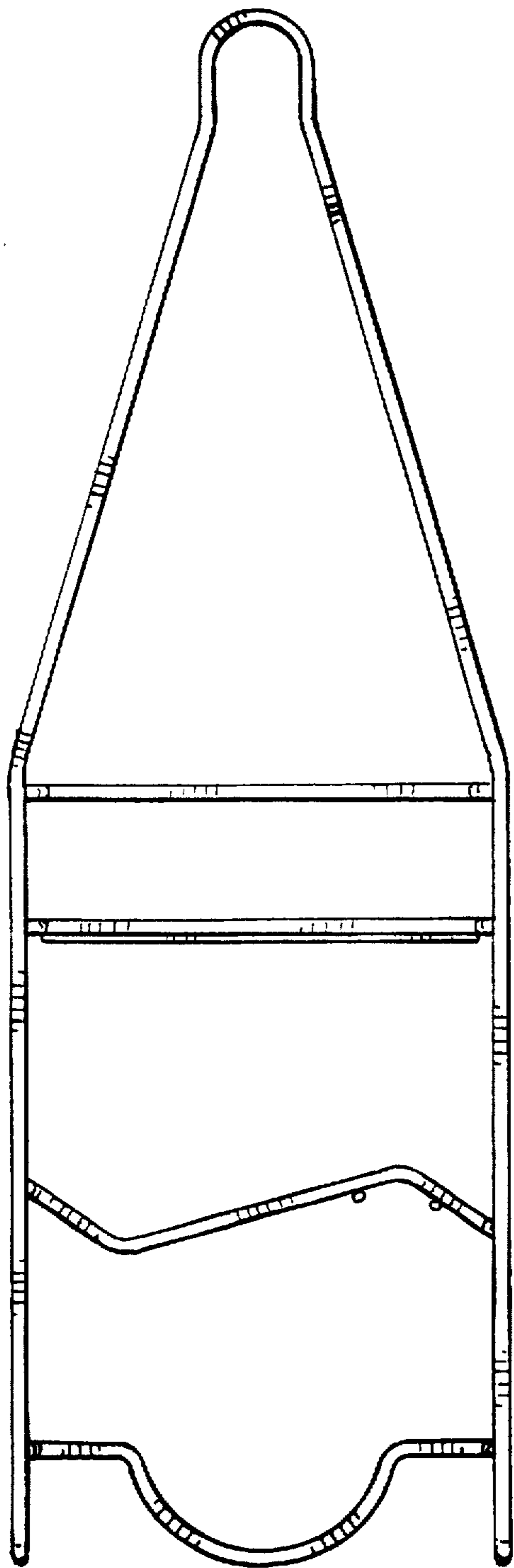


Fig-5

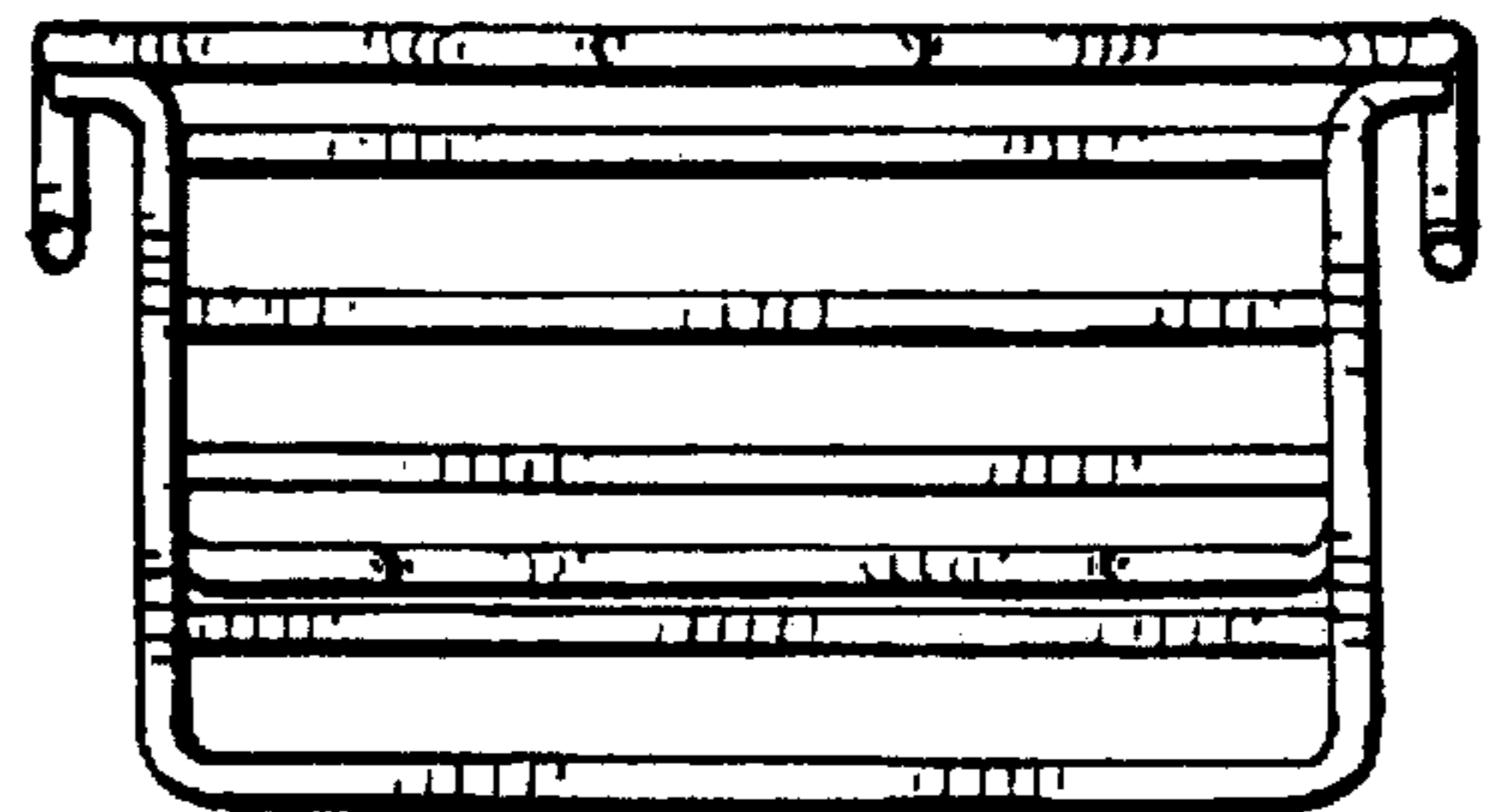


Fig-6

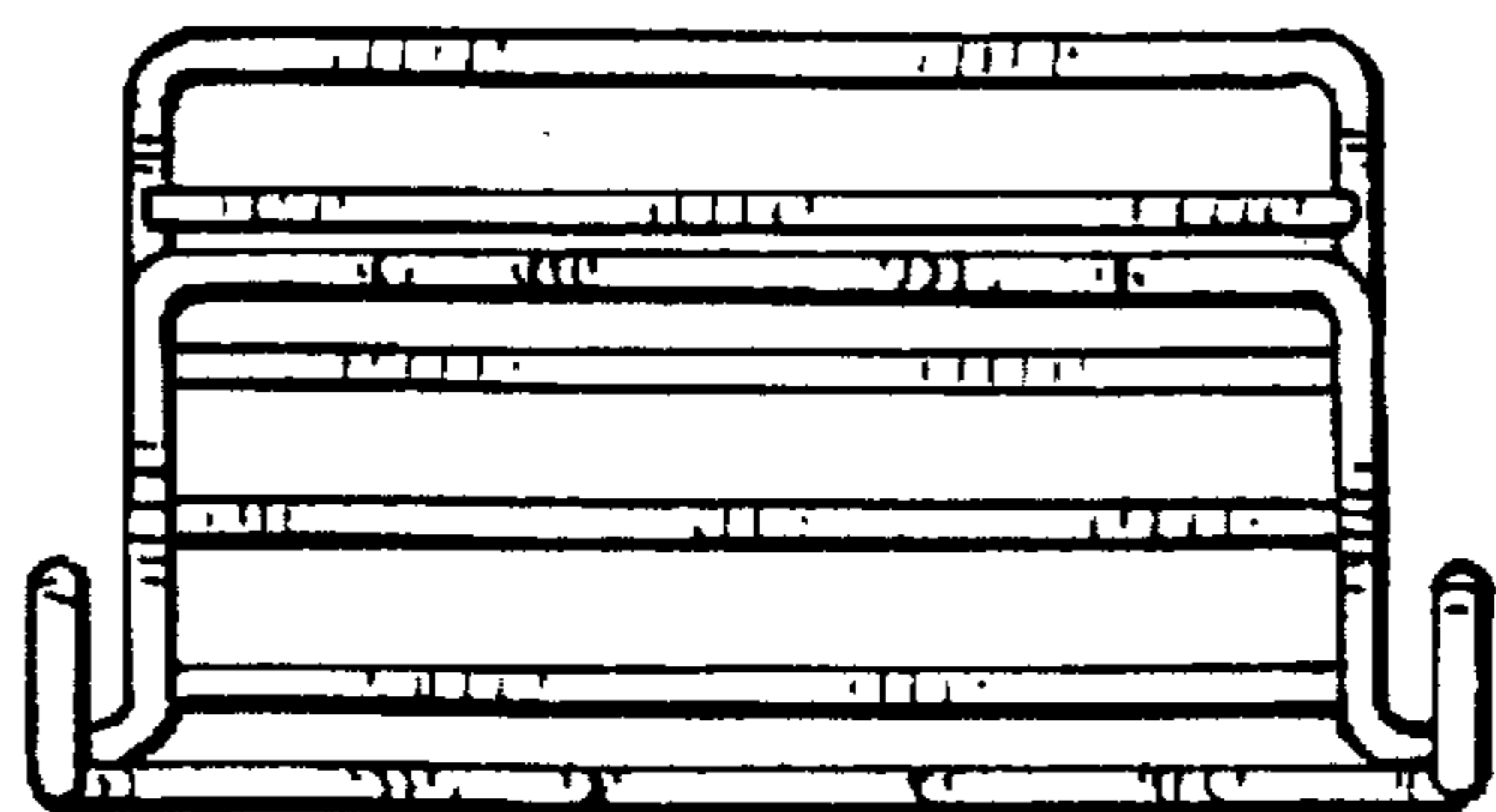


Fig-7