



US00D396583S

United States Patent [19] Nielsen

[11] Patent Number: **Des. 396,583**
[45] Date of Patent: ****Aug. 4, 1998**

[54] FURNITURE ELEMENT

[75] Inventor: **Andreas Krestian Nielsen, Del Mar, Calif.**

[73] Assignee: **Ladd Furniture, Inc., Greensboro, N.C.**

[**] Term: **14 Years**

[21] Appl. No.: **63,499**

[22] Filed: **Dec. 9, 1996**

[51] LOC (6) Cl. **06-04**

[52] U.S. Cl. **D6/509**

[58] Field of Search D6/477-479, 422, D6/420, 423, 425-432, 436-439, 430, 474; 248/346.01, 346.5; 312/204, 257.1, 224-227, 194-196, 283, 286, 198-200, 223.3; 108/59, 60, 90-93; D14/103, 104, 106

[56] **References Cited**

U.S. PATENT DOCUMENTS

D. 165,707	1/1952	Buehler	D6/420
D. 232,893	9/1974	Moretini	D6/478
D. 303,188	9/1989	Risom	D6/426
D. 335,782	5/1993	Lechman et al.	D6/422
D. 357,599	4/1995	Kelley	D6/439

D. 372,601	8/1996	Roberts	D6/422
D. 382,419	8/1997	O'Sullivan et al.	D6/426
4,755,009	7/1988	Price et al.	312/194
4,766,422	8/1988	Wolters et al.	312/198
5,558,418	9/1996	Lambright et al.	312/194 X

Primary Examiner—James Gandy
Assistant Examiner—Linda Brooks
Attorney, Agent, or Firm—Kilpatrick Stockton LLP

[57] **CLAIM**

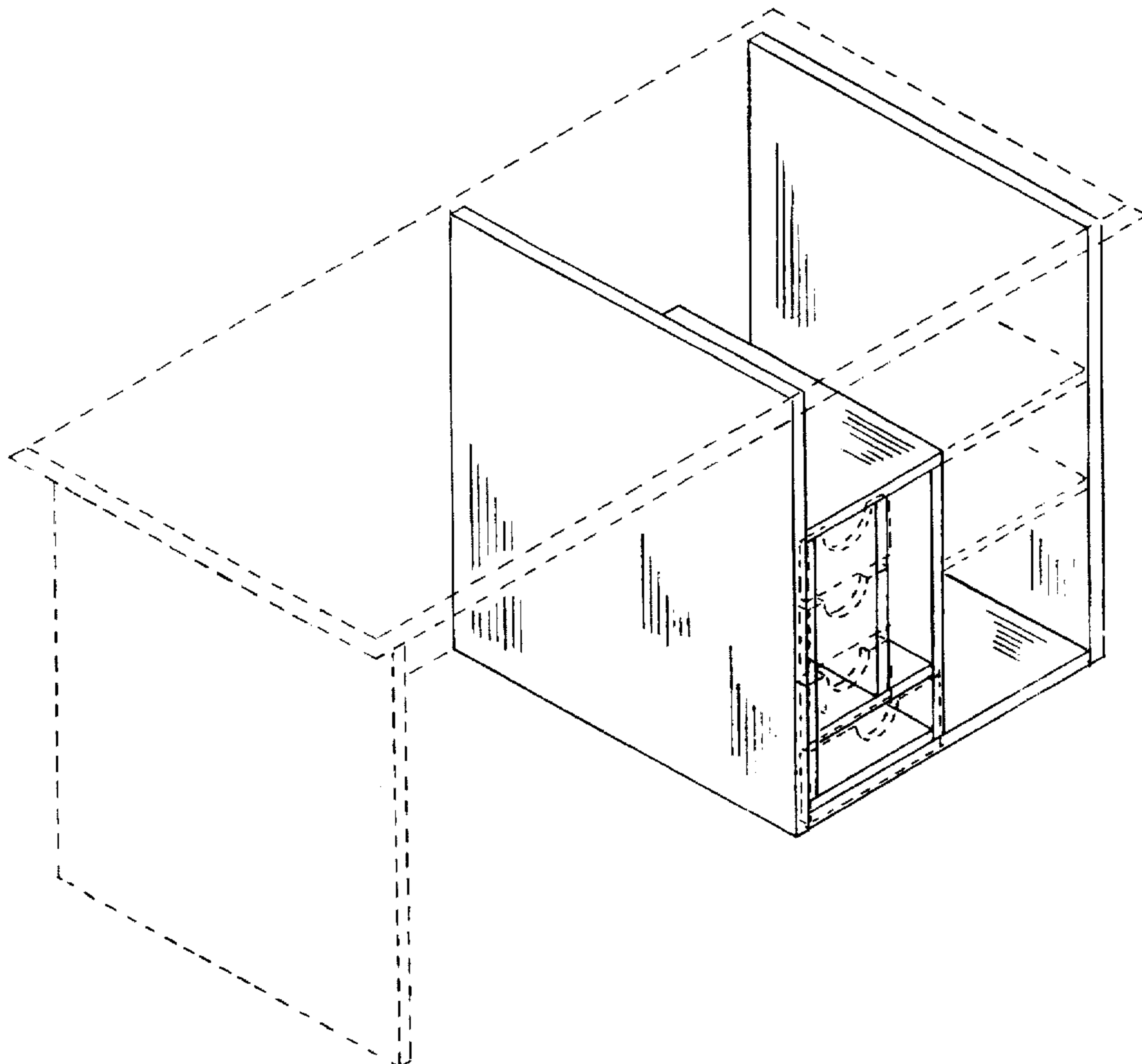
The ornamental design for a furniture element, as shown and described.

DESCRIPTION

FIG. 1 is a front perspective view of my new furniture element looking down from the top at the right side; FIG. 2 is a front elevational view of the furniture element of FIG. 1; FIG. 3 is a rear elevational view of the furniture element of FIG. 1; FIG. 4 is a top plan view of the furniture element of FIG. 1; and, FIG. 5 is a left side elevational view of the furniture element of FIG. 1.

The structure shown in broken lines is for illustration purposes only and forms no part of the claimed design.

1 Claim, 2 Drawing Sheets



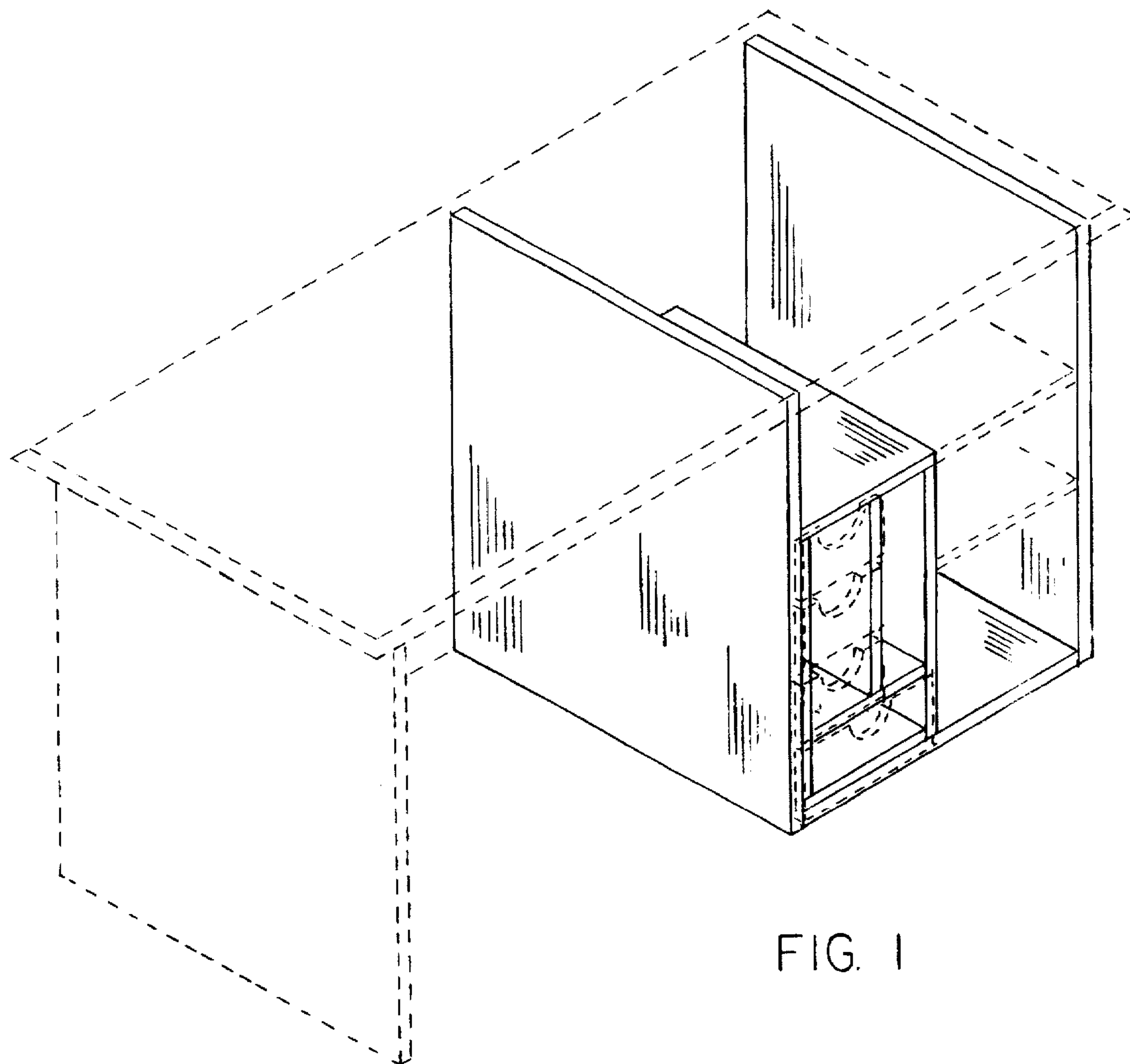


FIG. 1

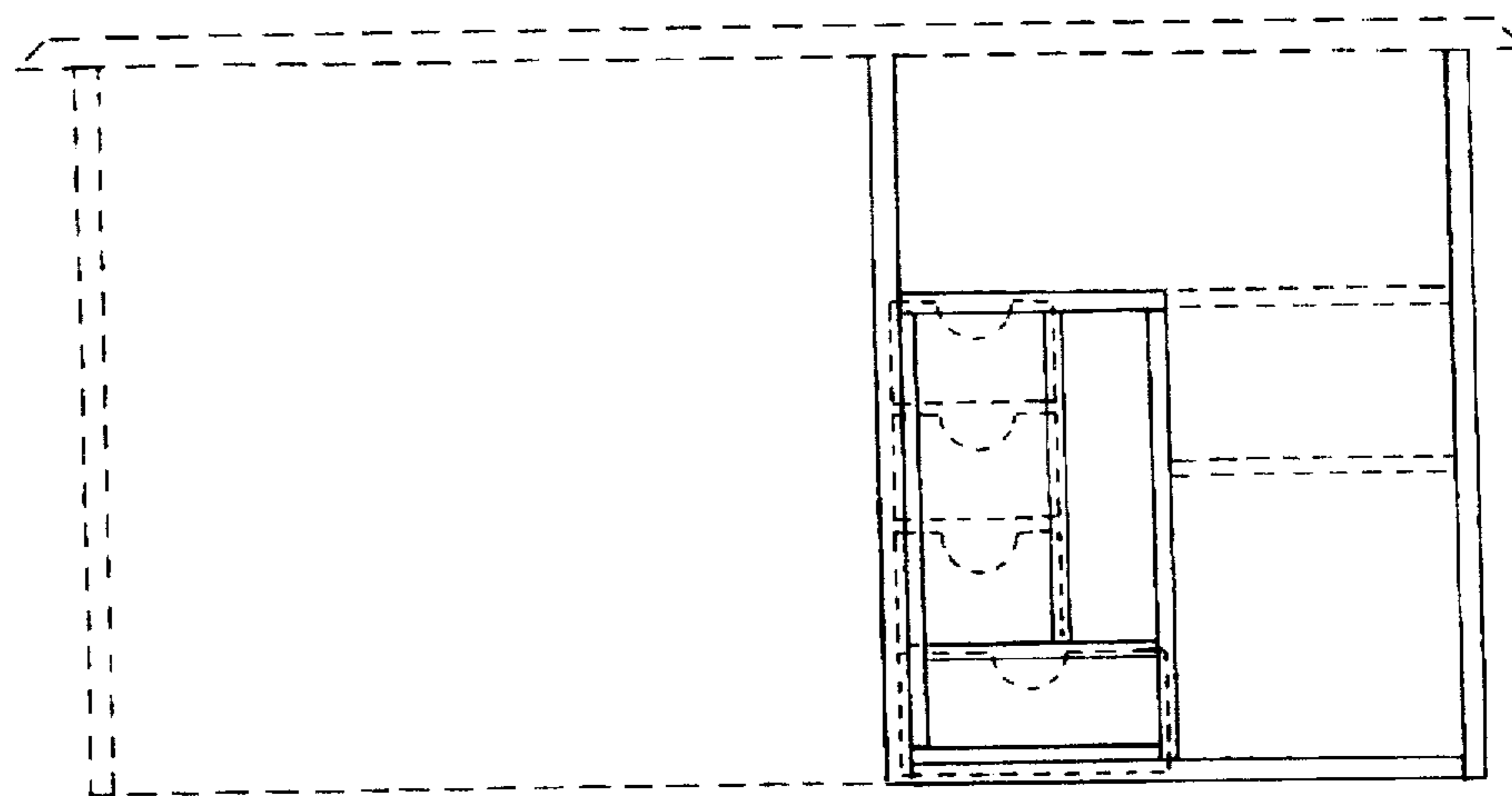


FIG. 2

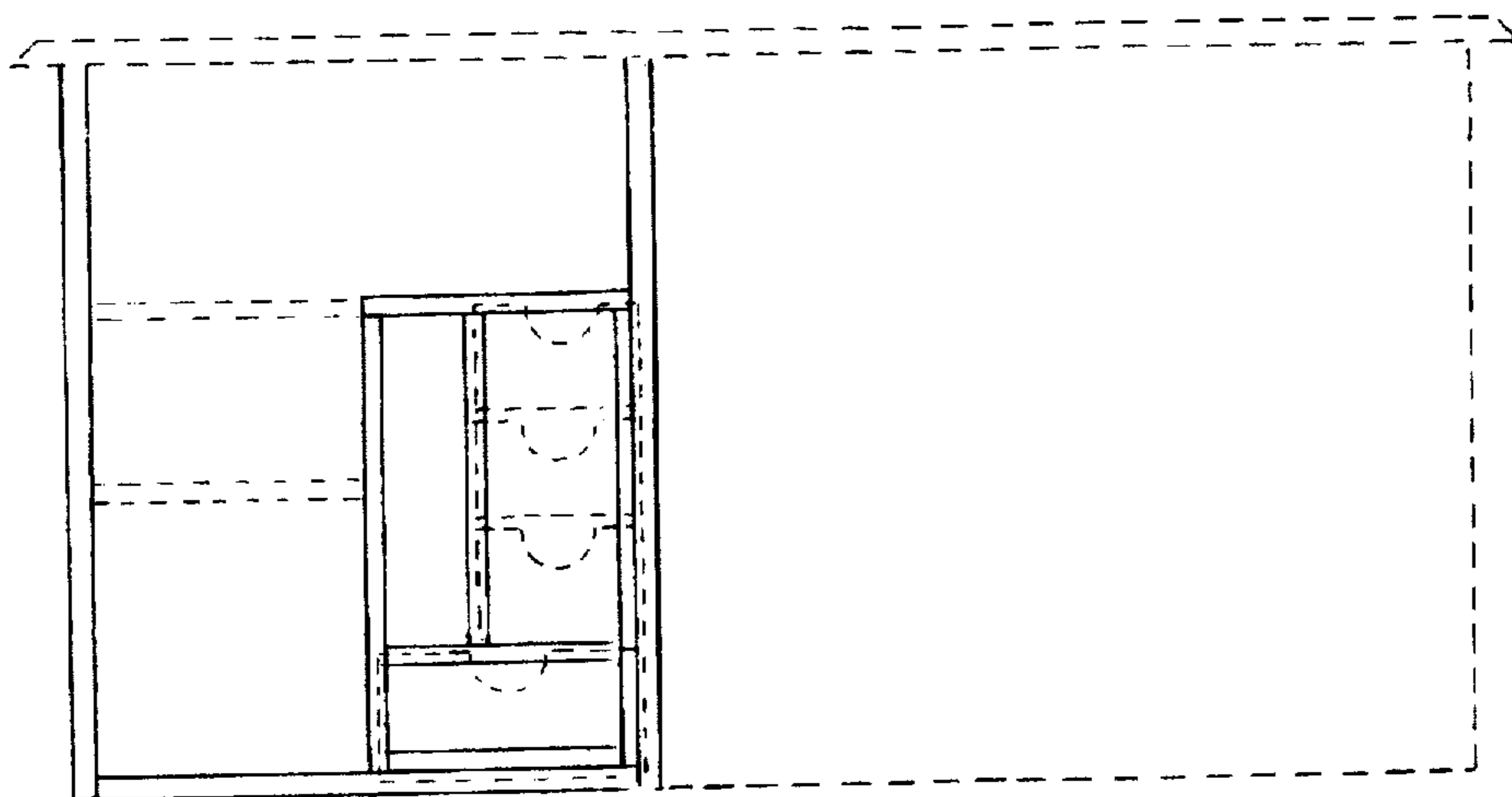


FIG. 3

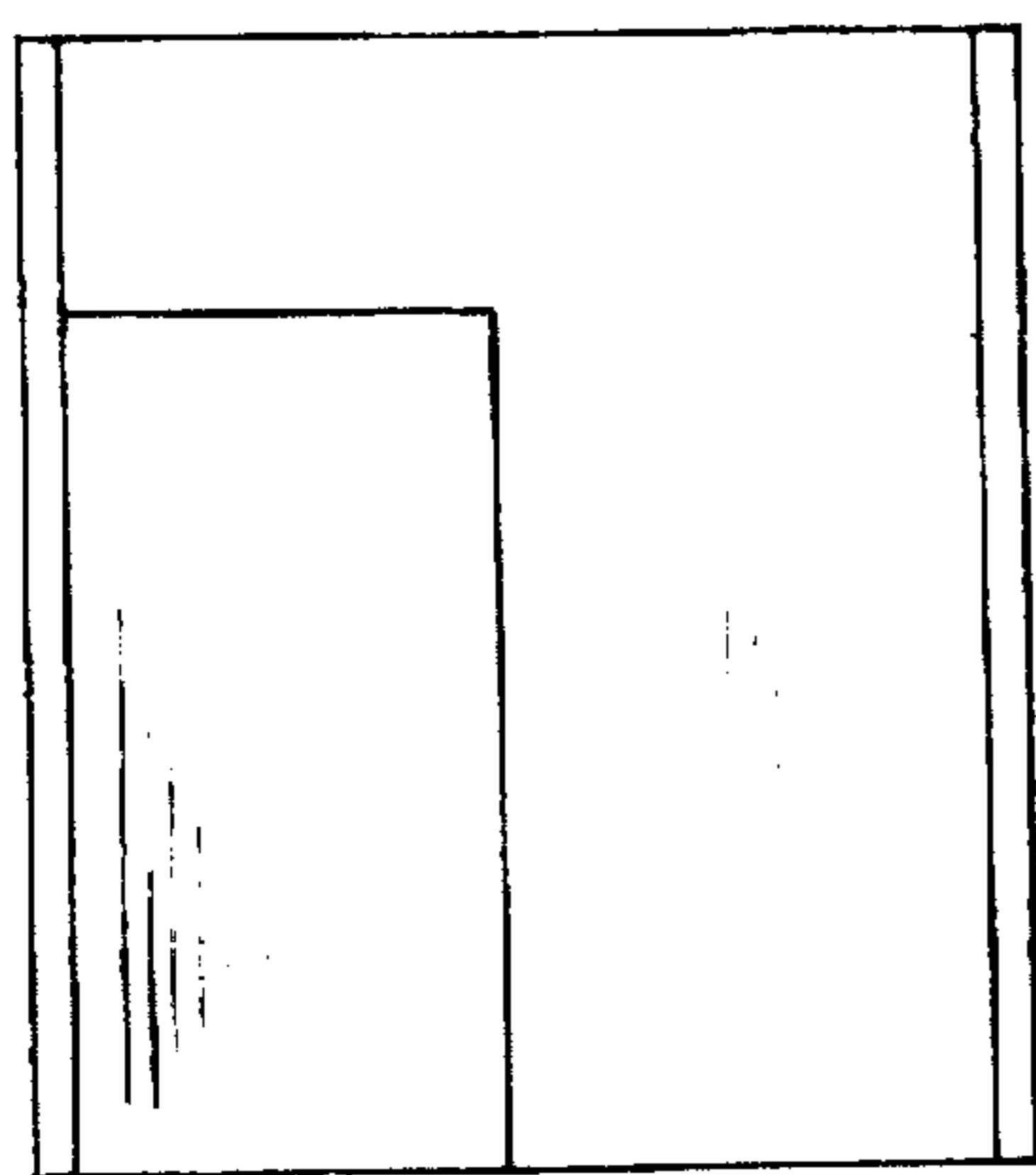


FIG. 4

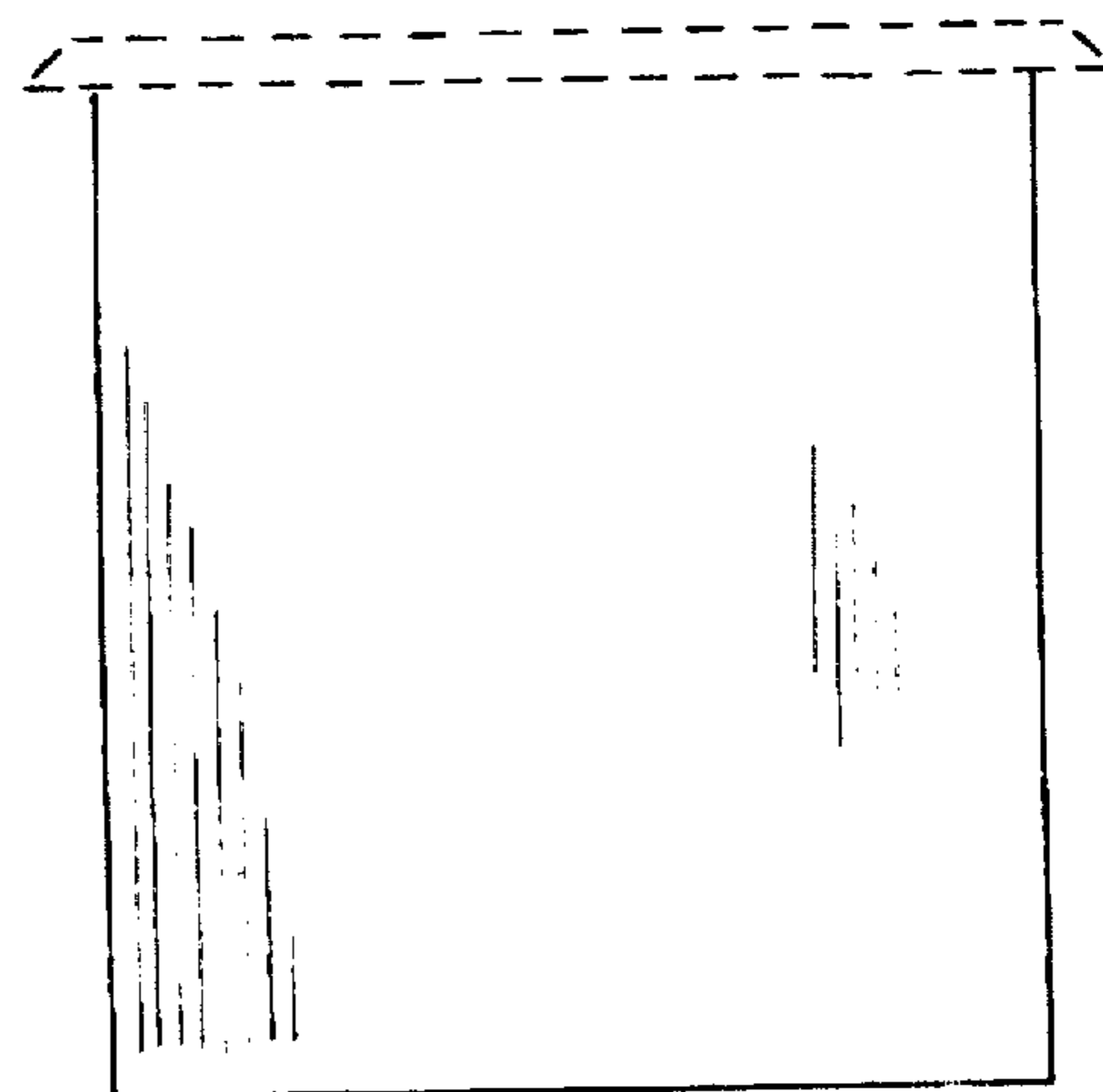


FIG. 5