



US00D396580S

**United States Patent** [19]  
**Harper**

[11] **Patent Number:** **Des. 396,580**  
[45] **Date of Patent:** **\*\*Aug. 4, 1998**

[54] **REMOTE CONTROL ORGANIZER UNIT**

[76] **Inventor:** **Dale Harper**, 51705 Avenida Villa, La Quinta, Calif. 92253

[\*\*] **Term:** **14 Years**

[21] **Appl. No.:** **70,414**

[22] **Filed:** **May 7, 1997**

[51] **LOC (6) Cl.** ..... **06-04**

[52] **U.S. Cl.** ..... **D6/467**

[58] **Field of Search** ..... **D6/449, 465-468;**  
220/22, 500, 507; 206/557, 558, 566, 561,  
562; 248/176.1, 314, 146, 150; D19/75,  
77, 92, 95; D9/341, 345, 424, 347; D3/304,  
313-315, 319; 211/26.1, 11, 126, 128, 72;  
D14/218

[56] **References Cited**

**U.S. PATENT DOCUMENTS**

D. 242,601	12/1976	Sato	.....	D9/424
D. 324,144	2/1992	Watrous	.....	D6/476
D. 335,976	6/1993	Brown	.....	D6/467
D. 337,672	7/1993	Doria	.....	D6/466
D. 360,780	8/1995	Kennedy, Jr.	.....	D6/449

5,244,173 9/1993 Kulyk ..... 248/176.1

*Primary Examiner*—James Gandy

*Assistant Examiner*—Linda Brooks

*Attorney, Agent, or Firm*—Dennison, Meserole, Pollack & Scheiner

[57] **CLAIM**

The ornamental design for a remote control organizer unit, as shown and described.

**DESCRIPTION**

FIG. 1 is a perspective view of a remote control organizer unit showing my new design;

FIG. 2 is an exploded view of FIG. 1, it being understood that the contours of the side panels shown exploded are identical;

FIG. 3 is a top, side, and front perspective view of the tray element, shown separately for clarity of illustration;

FIG. 4 is a top elevation view of FIG. 3;

FIG. 5 is a bottom plan view of FIG. 3;

FIG. 6 is a front elevation view of FIG. 3;

FIG. 7 is a rear elevation view of FIG. 3;

FIG. 8 is a right side elevation view of FIG. 3; and,

FIG. 9 is a left side elevation view of FIG. 3.

**1 Claim, 4 Drawing Sheets**

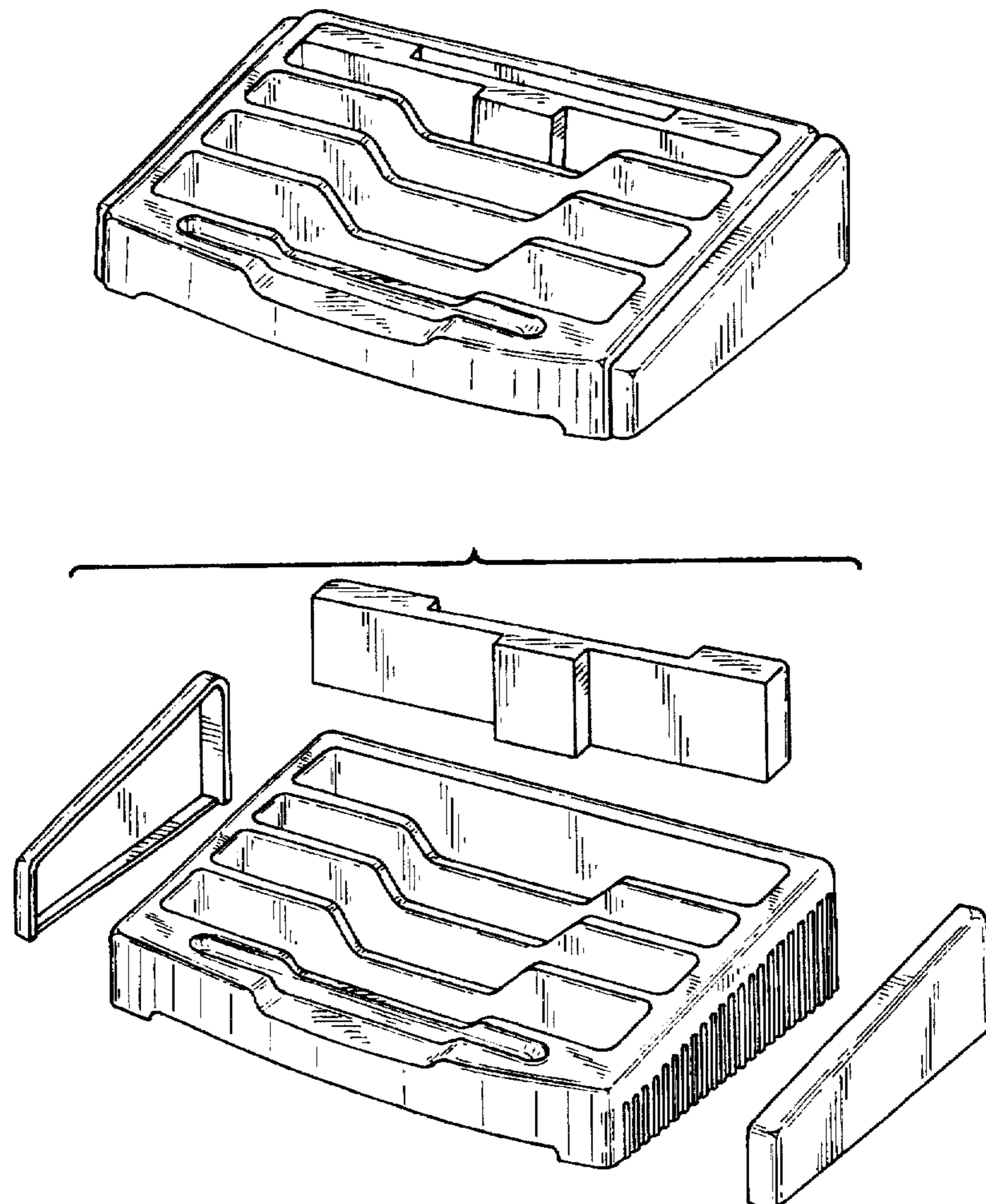


FIG. 1

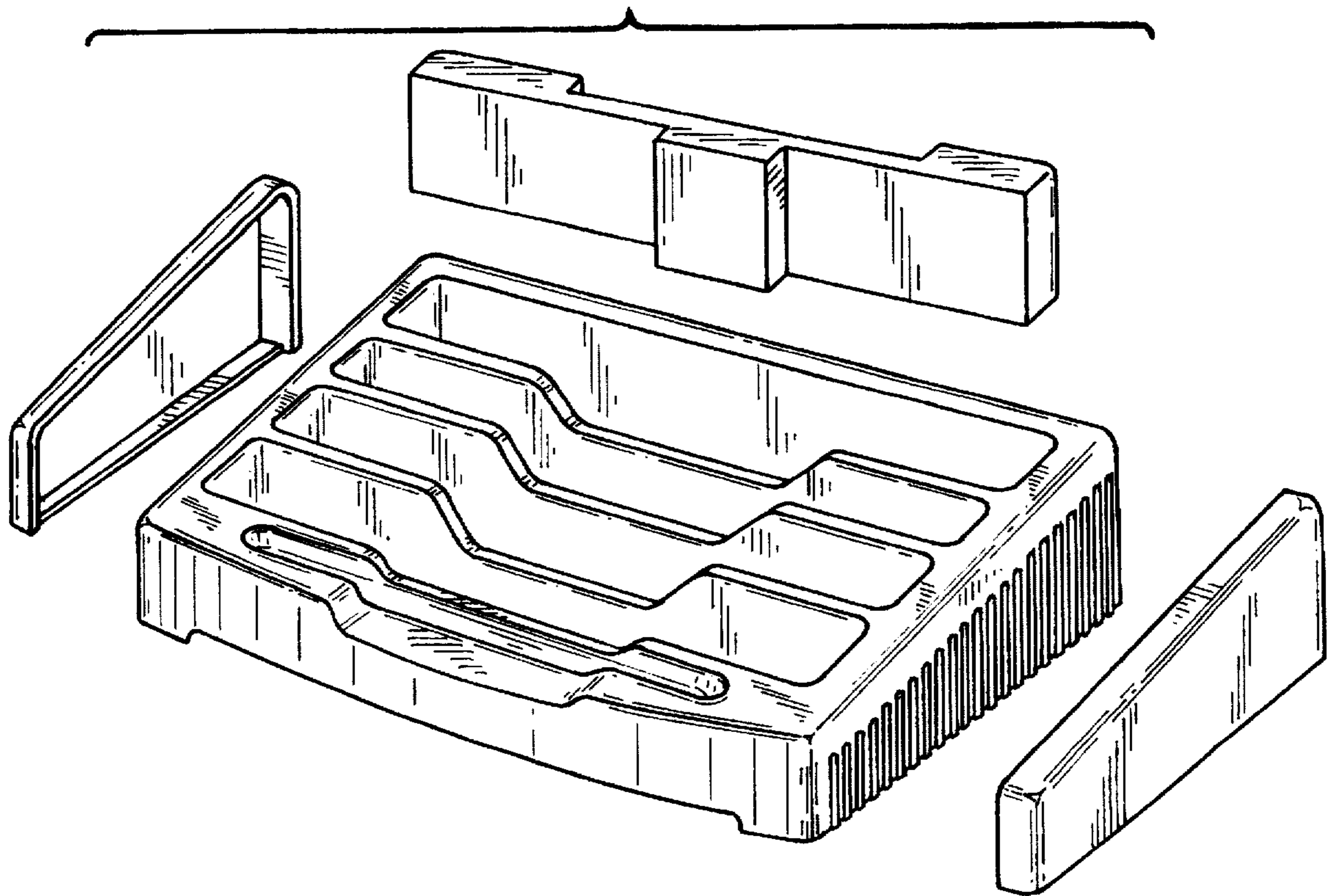
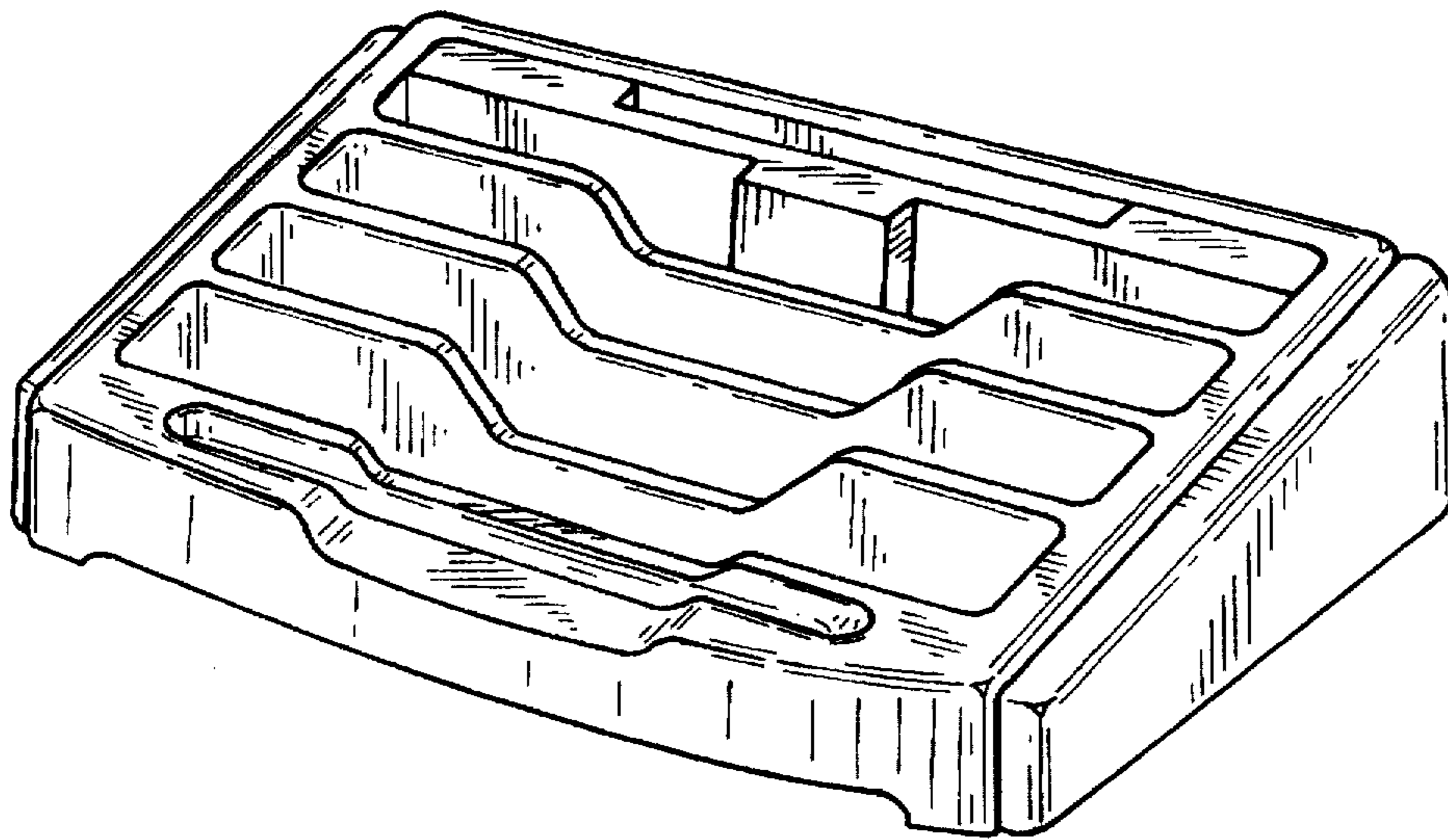


FIG. 2

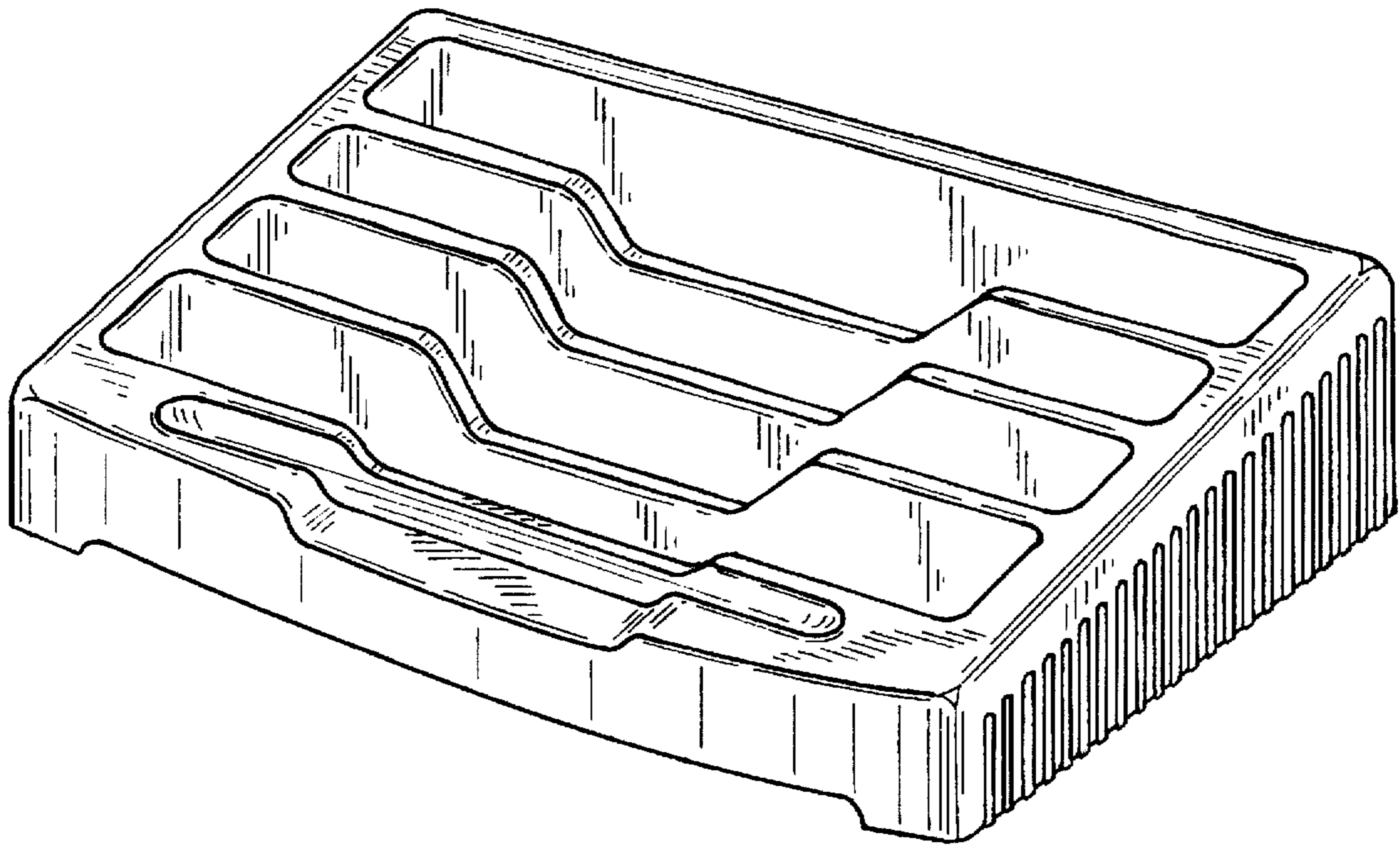


FIG. 3

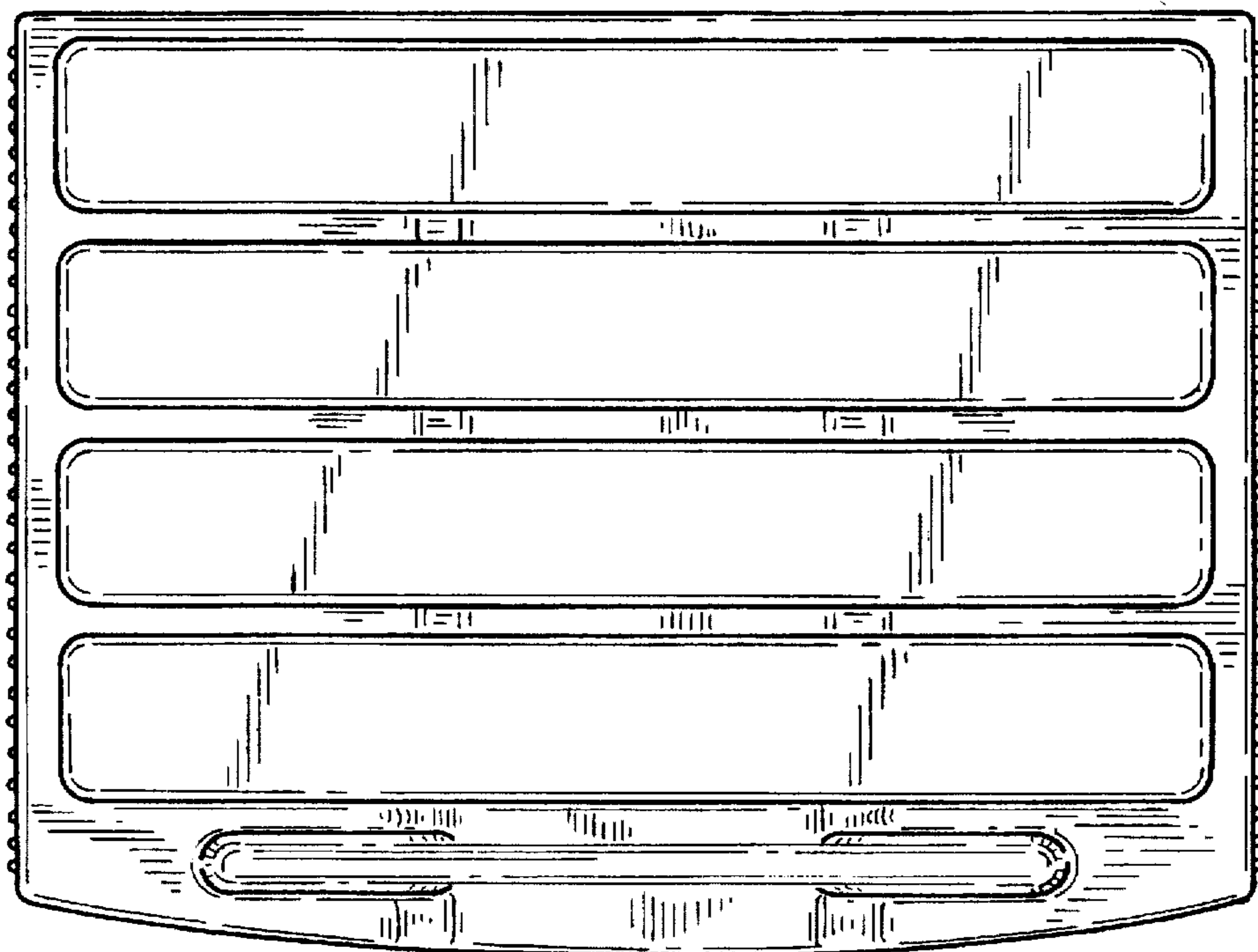


FIG. 4

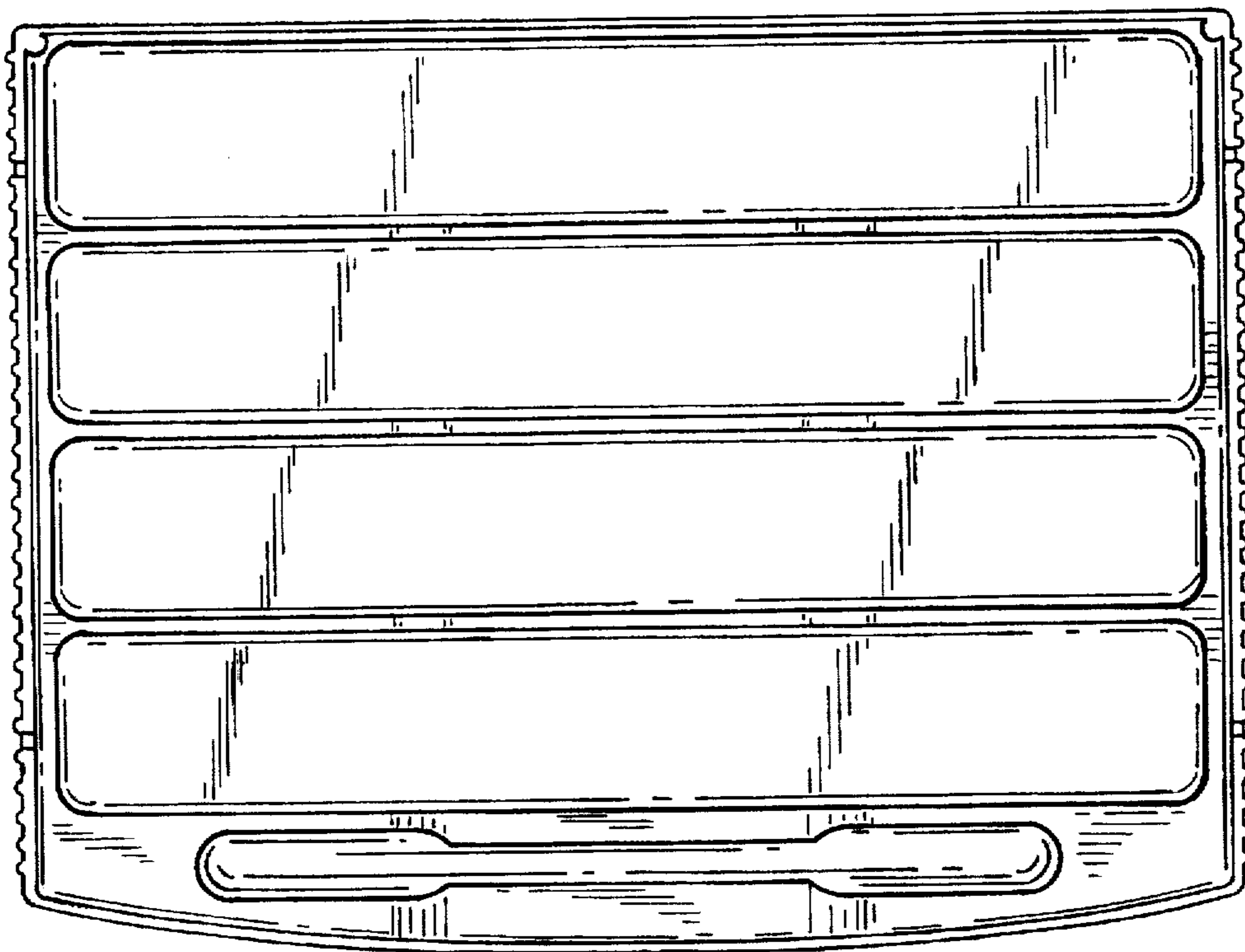


FIG. 5

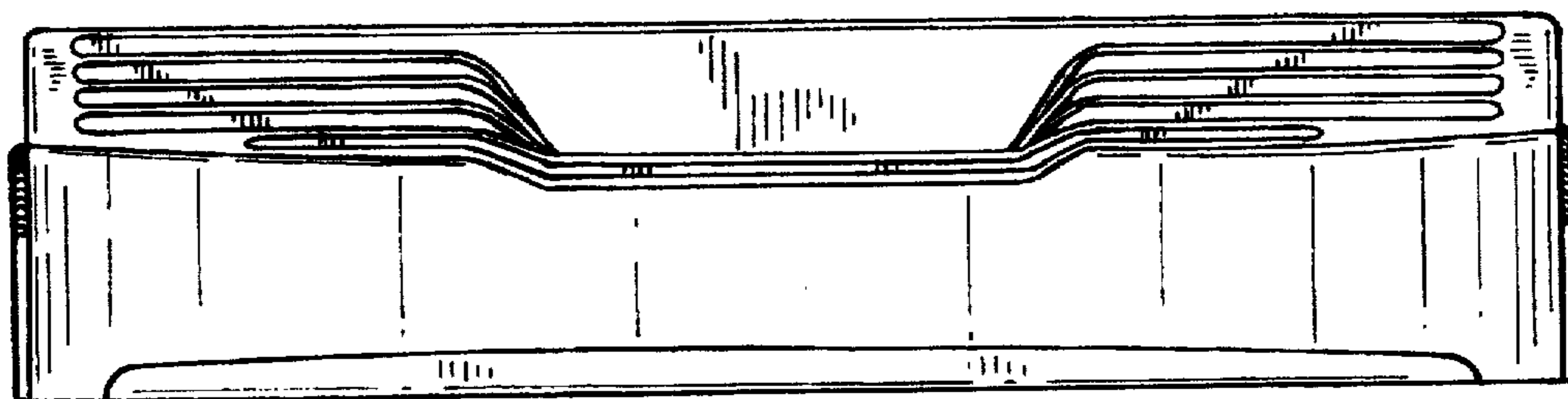


FIG. 6

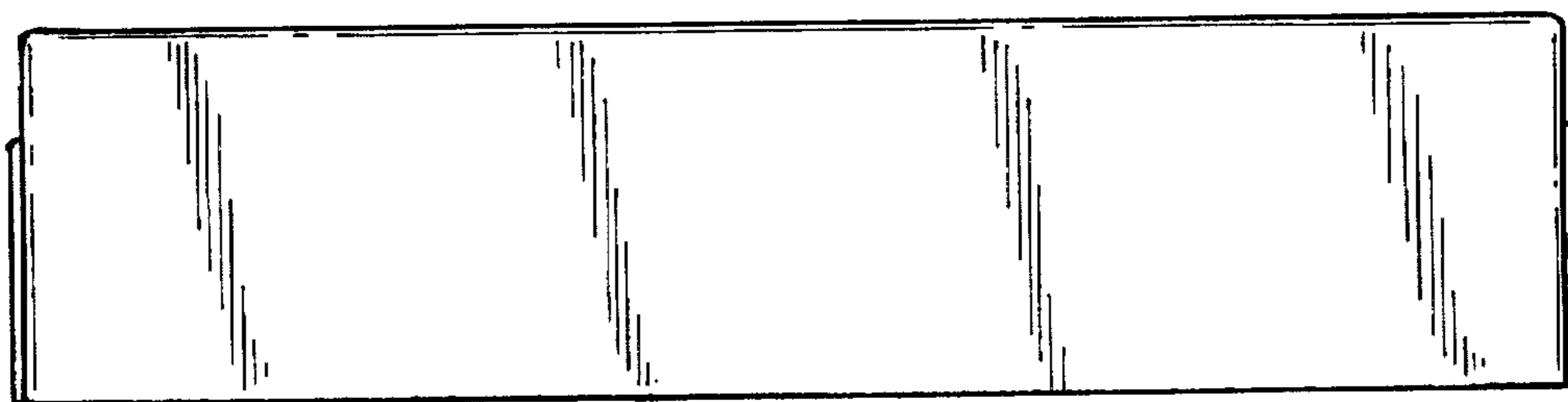


FIG. 7

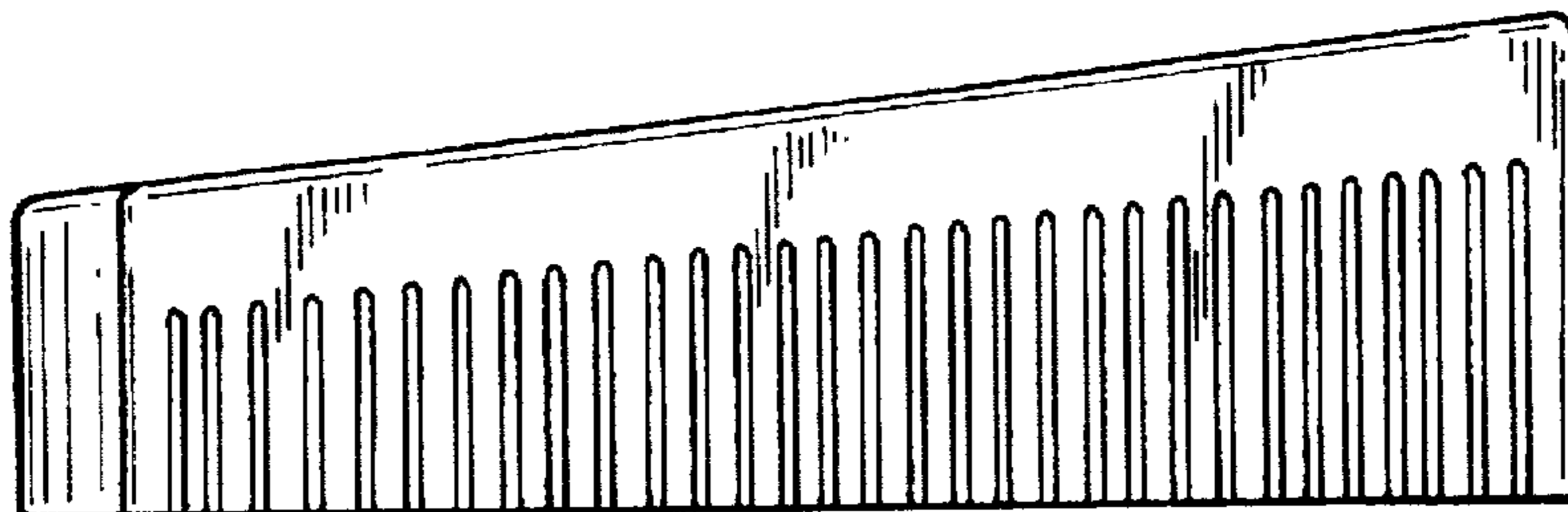


FIG. 8

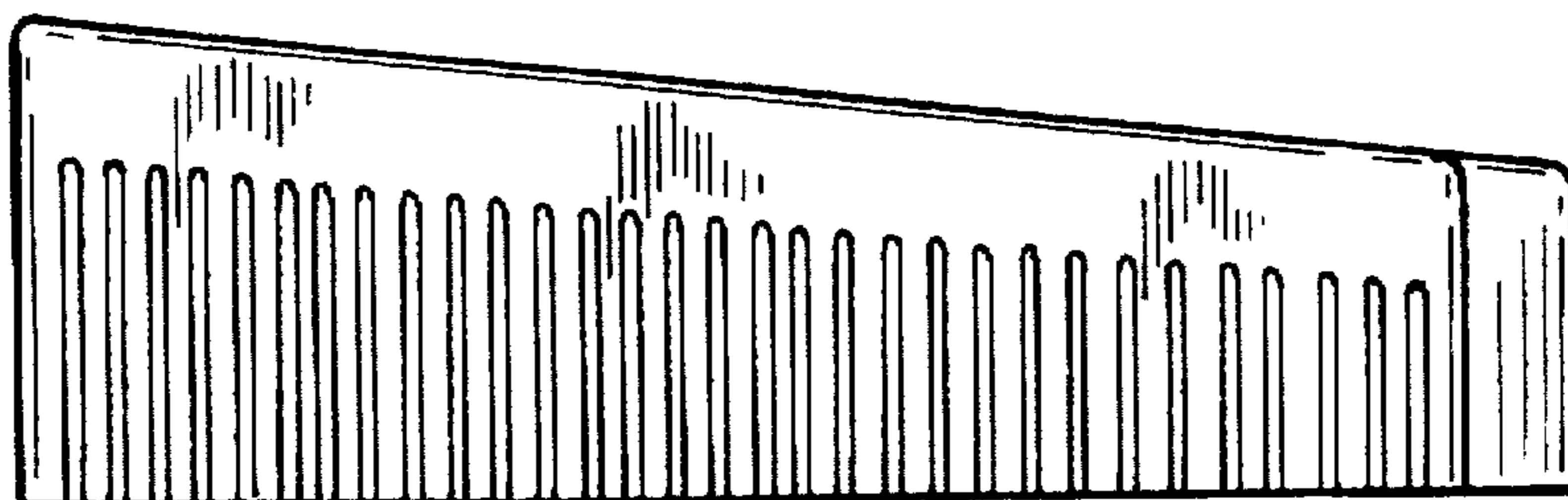


FIG. 9