



US00D396579S

United States Patent [19]
Kalayjian

[11] **Patent Number:** **Des. 396,579**
[45] **Date of Patent:** ****Aug. 4, 1998**

[54] **GUITAR STAND**

[76] **Inventor:** **Albert Kalayjian**, 1022 Cumberland Rd., Glendale, Calif. 91202

[**] **Term:** **14 Years**

[21] **Appl. No.:** **68,798**

[22] **Filed:** **Mar. 26, 1997**

[51] **LOC (6) Cl.** **06-04**

[52] **U.S. Cl.** **D6/462**

[58] **Field of Search** D6/466-468, 462, D6/431, 469, 429, 449, 411; 84/327, 453; 248/146, 163.1, 176.1, 443, 441.1; 211/60.1, 85.6; D17/99; 206/14, 314

[56] **References Cited**

U.S. PATENT DOCUMENTS

D. 236,227 8/1975 Kester, Jr. D6/431

D. 260,589	9/1981	O'Brien	D6/463
D. 353,729	12/1994	MacOwan	D6/466
1,135,752	4/1915	Balaban	248/441.1
1,612,148	12/1926	Oettinger	211/85.6
3,737,137	6/1973	Sheehan	248/441.1
4,805,297	2/1989	Seneff	248/176.1
5,149,905	9/1992	Count	D17/99 X

Primary Examiner—James Gandy
Assistant Examiner—Linda Brooks

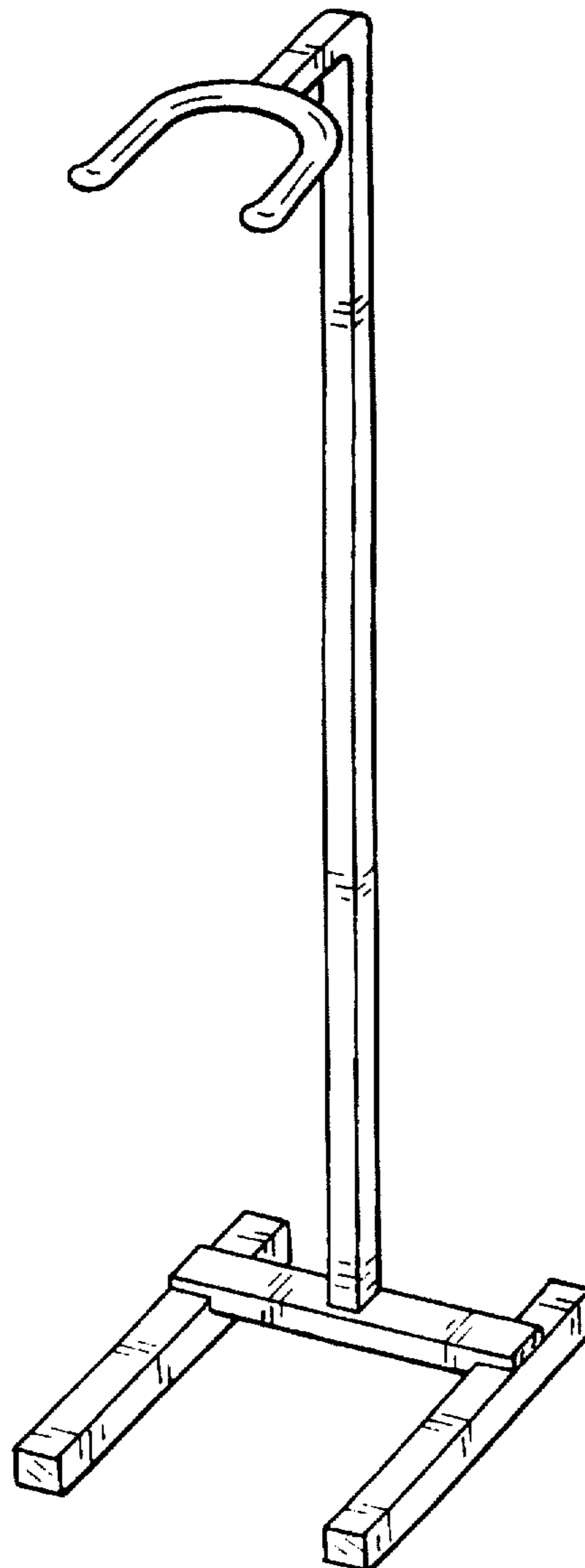
[57] **CLAIM**

The ornamental design for a guitar stand, as shown.

DESCRIPTION

FIG. 1 is a right front perspective view of a guitar stand; FIG. 2 is a left side elevational view thereof; and, FIG. 3 is a left rear perspective view thereof.

1 Claim, 1 Drawing Sheet



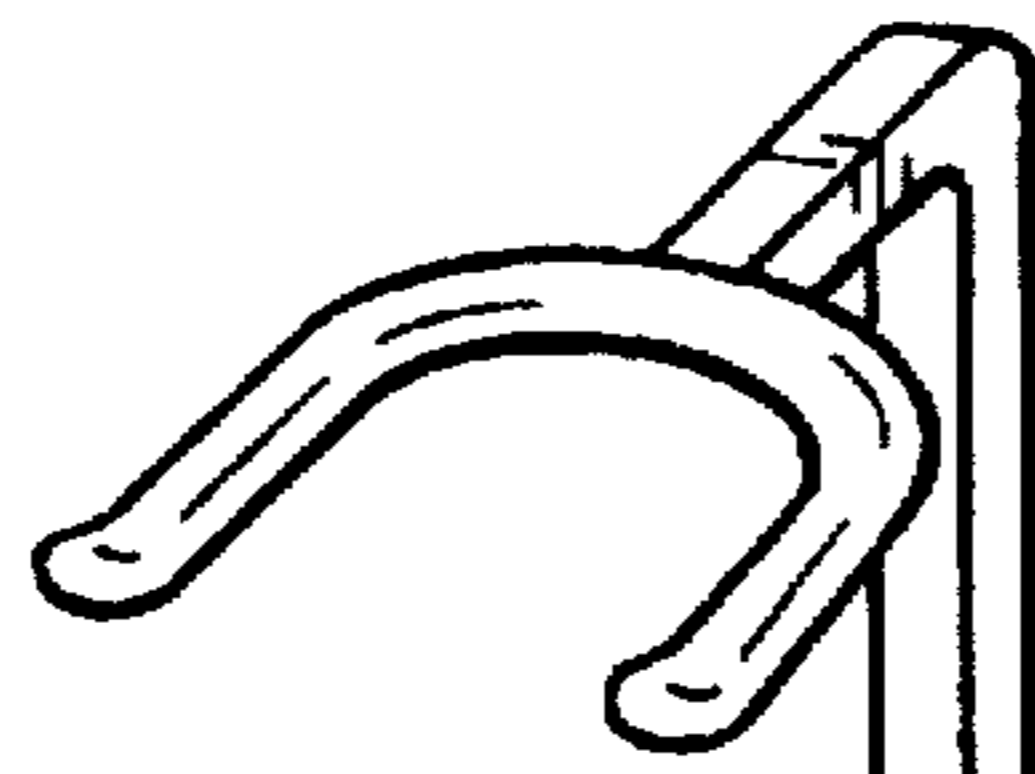


FIG. 1

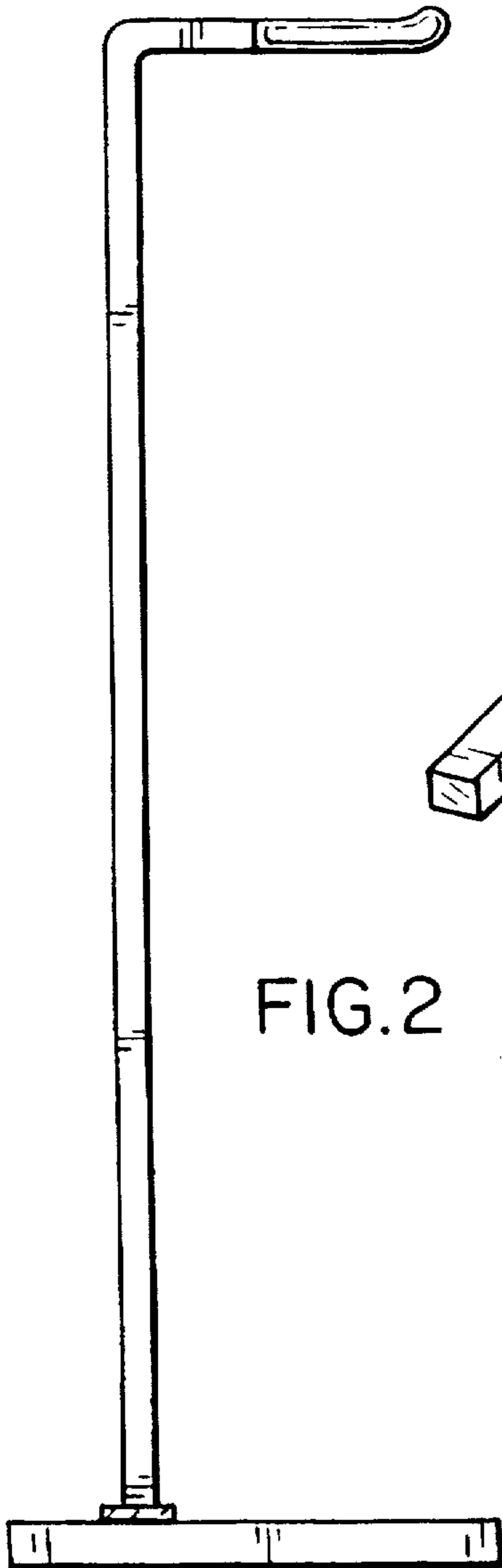


FIG. 2

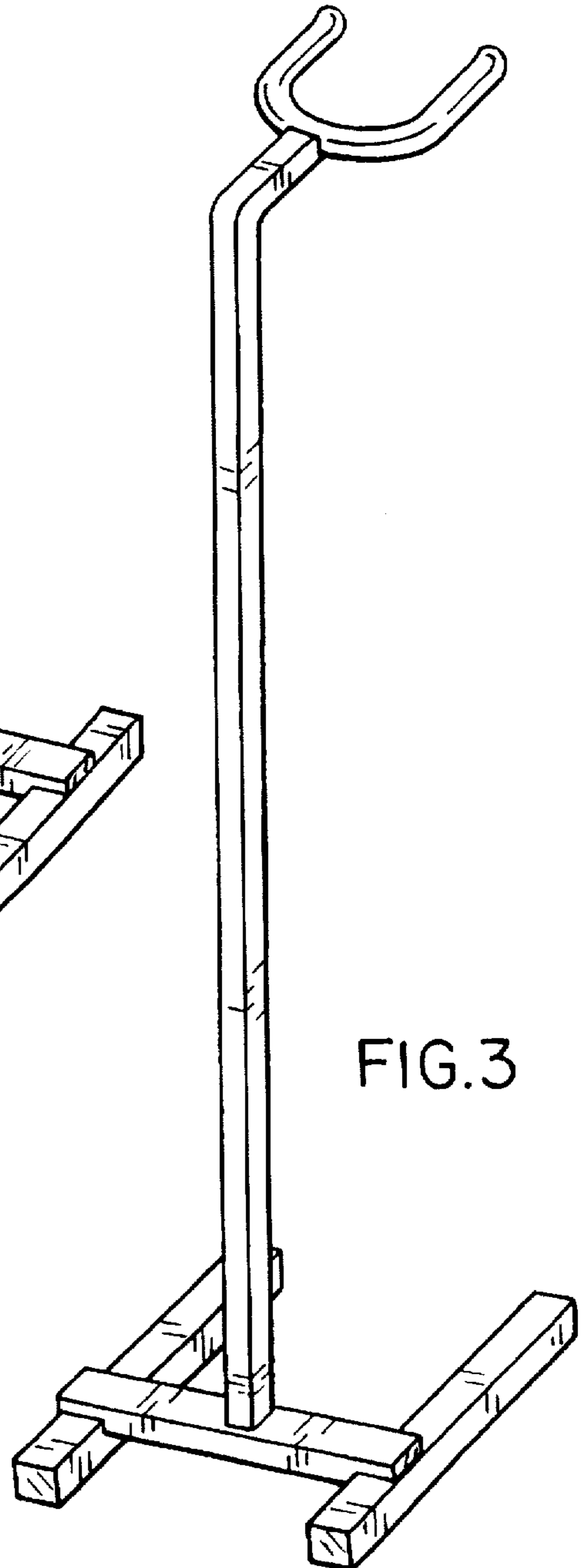
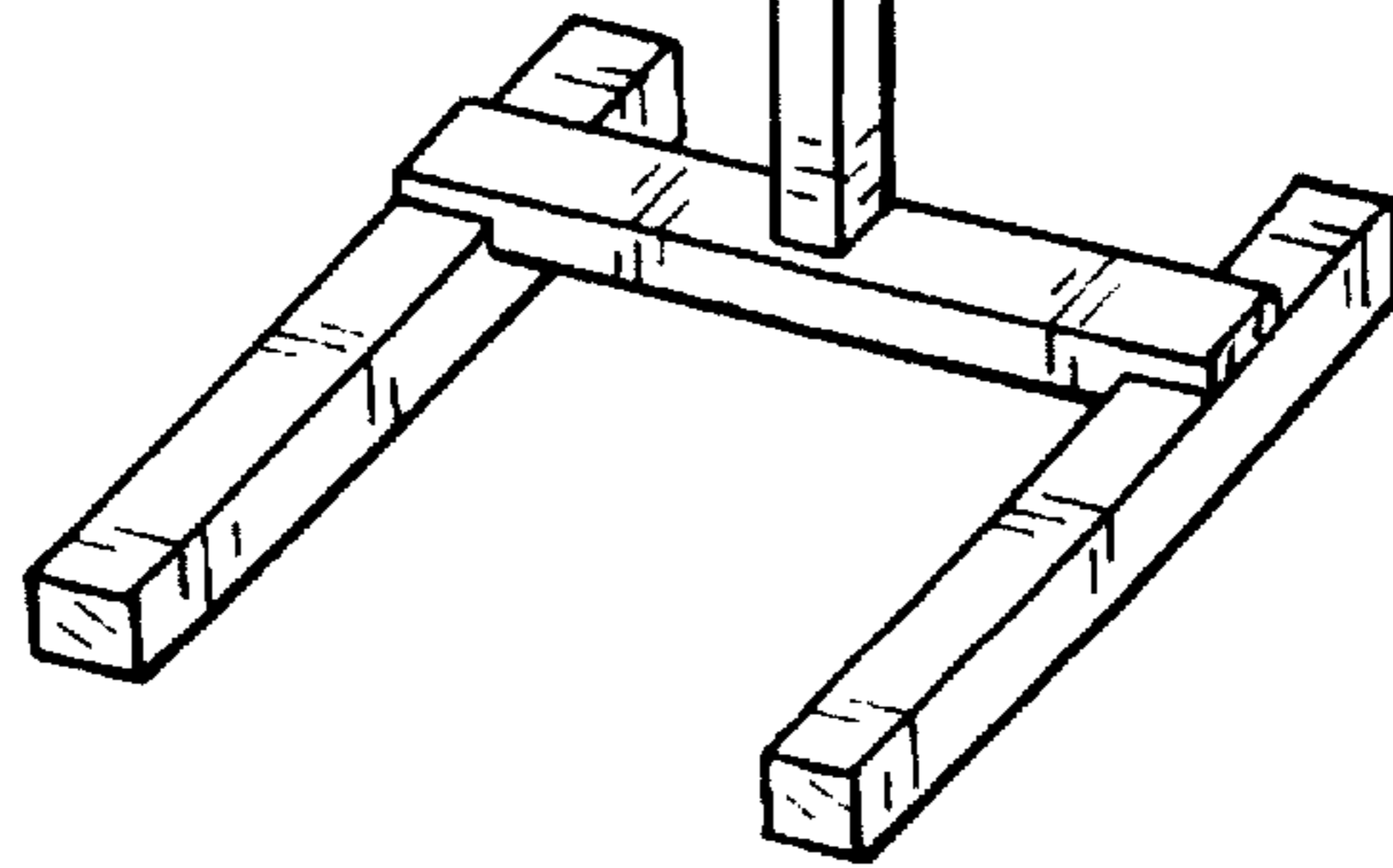


FIG. 3