



US00D396577S

United States Patent [19] Zaidman

[11] Patent Number: **Des. 396,577**
[45] Date of Patent: ****Aug. 4, 1998**

[54] **DRESSER**

[75] Inventor: **Paul Zaidman**, Winnipeg, Canada

[73] Assignee: **Palliser Furniture Ltd.**, Winnipeg, Canada

[**] Term: **14 Years**

[21] Appl. No.: **67,715**

[22] Filed: **Mar. 10, 1997**

[51] LOC (6) Cl. **06-04**

[52] U.S. Cl. **D6/446**

[58] Field of Search D6/432, 436, 440, D6/444-448; 312/204, 257.1, 198, 199

[56] **References Cited**

U.S. PATENT DOCUMENTS

- D. 185,709 7/1959 Herrmann D6/446
- D. 243,981 4/1977 Carter D6/446

D. 259,686 6/1981 West D6/446

OTHER PUBLICATIONS

Intrex Dresser No. 10515, p. 53, Jul. 1977.

Primary Examiner—James Gandy
Assistant Examiner—Linda Brooks
Attorney, Agent, or Firm—Pollock, Vande Sande & Priddy

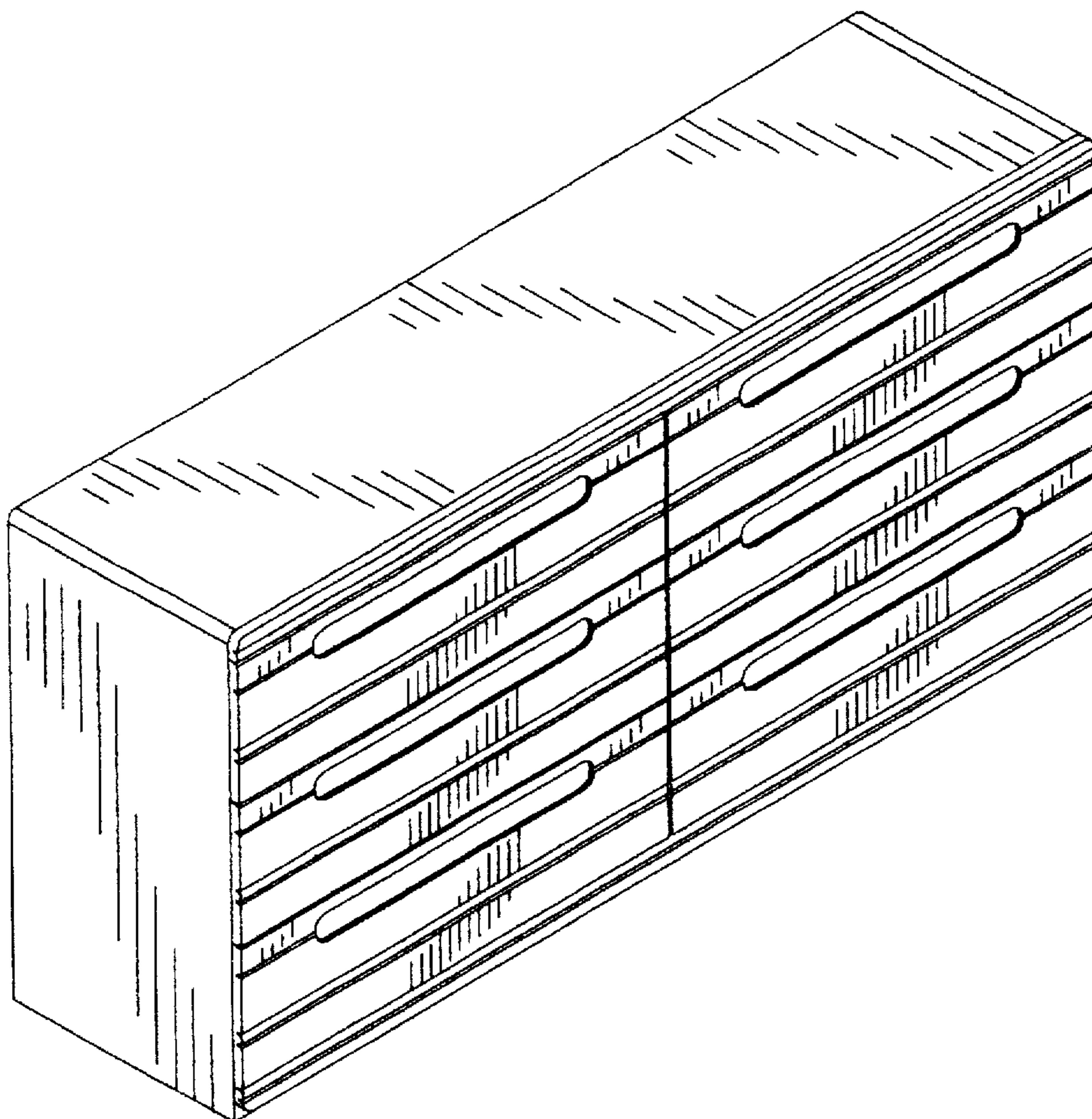
[57] **CLAIM**

The ornamental design for a dresser, as shown and described.

DESCRIPTION

FIG. 1 is a top view of a dresser showing my new design; FIG. 2 is a front view thereof; FIG. 3 is a left side view thereof, the right side view being a mirror image; and, FIG. 4 is a right front top perspective view thereof.

1 Claim, 2 Drawing Sheets



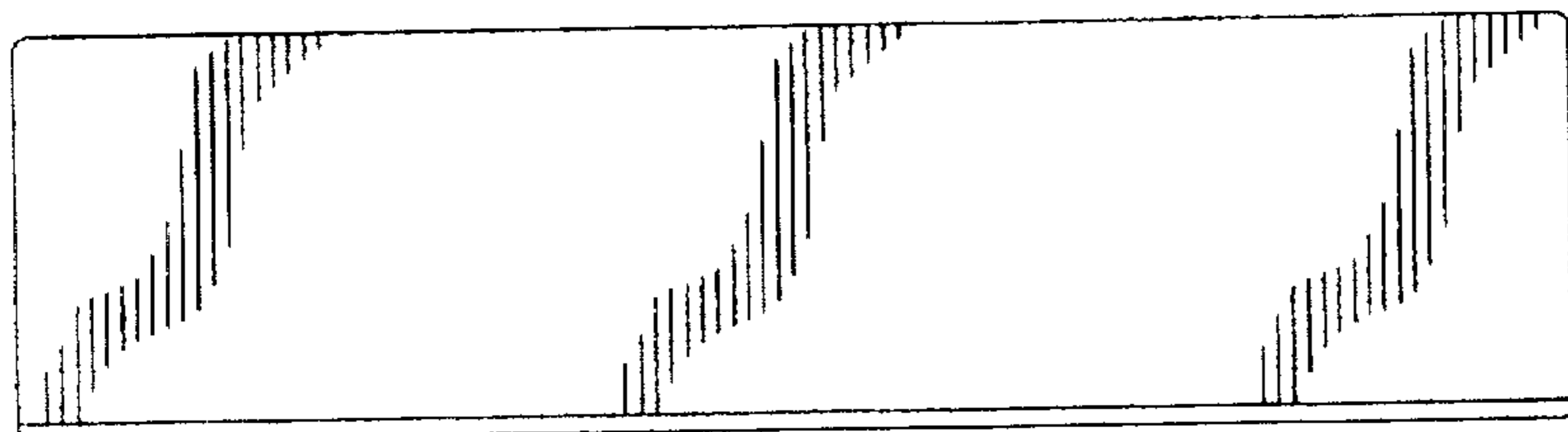


FIG. 1

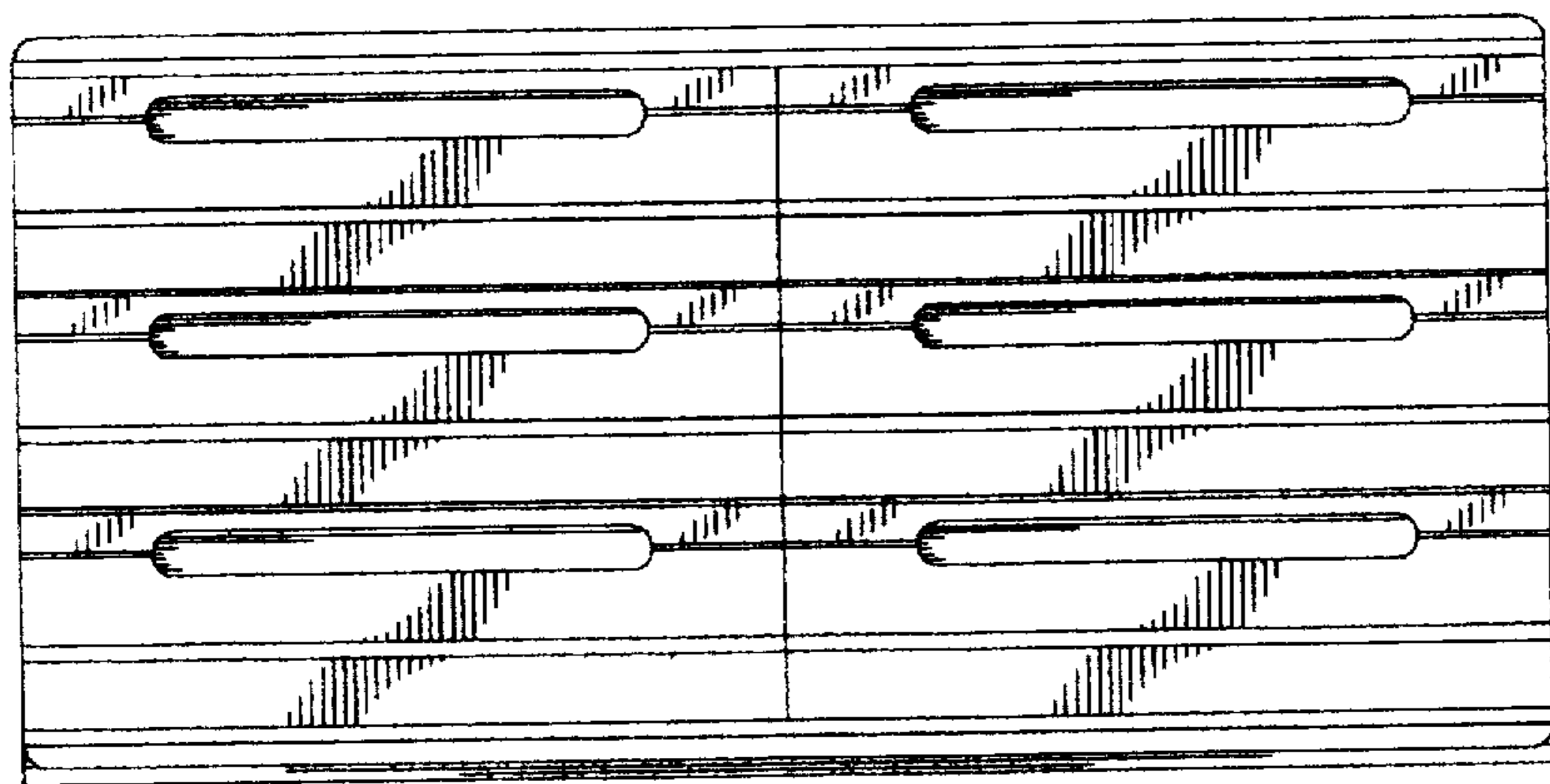


FIG. 2

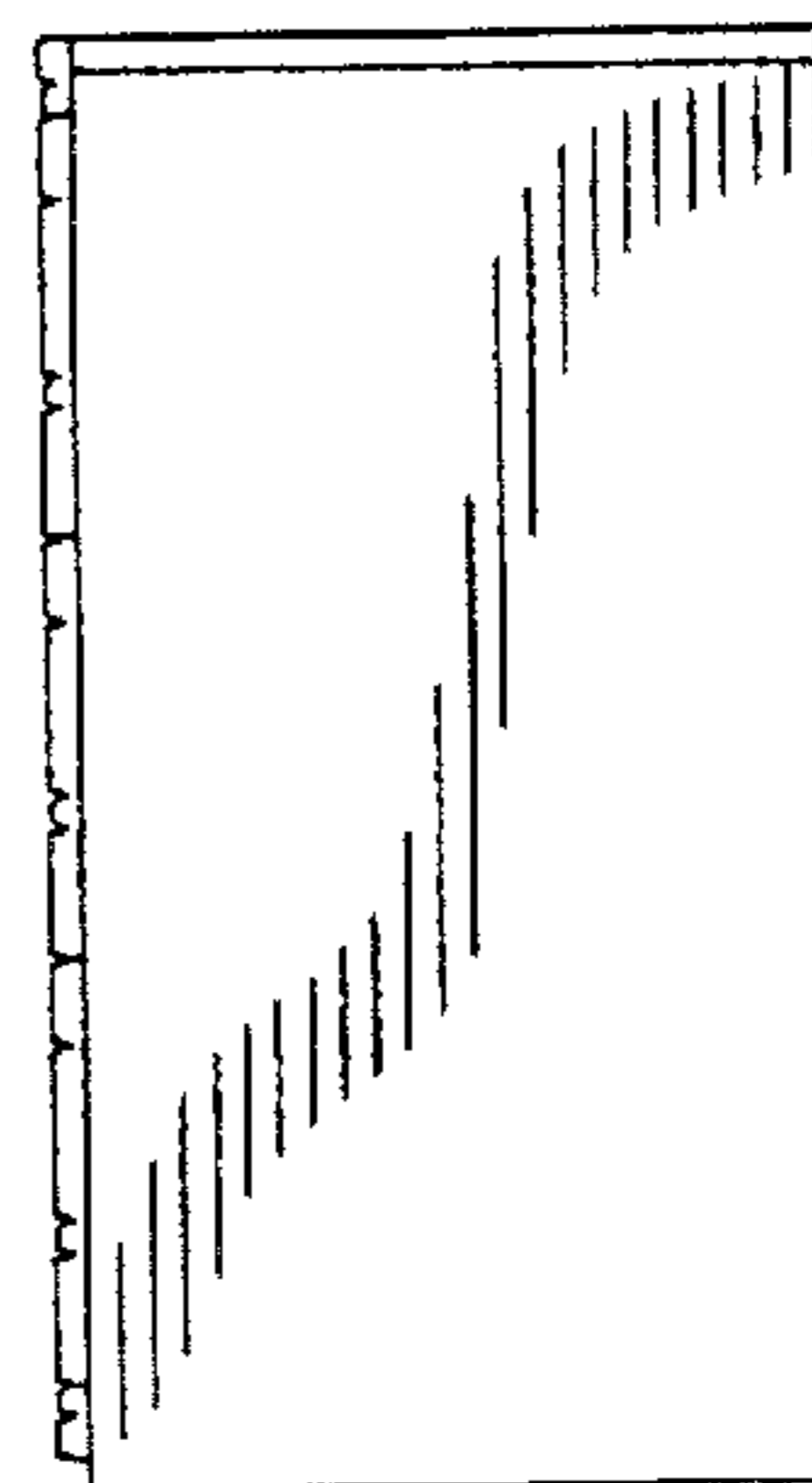


FIG. 3

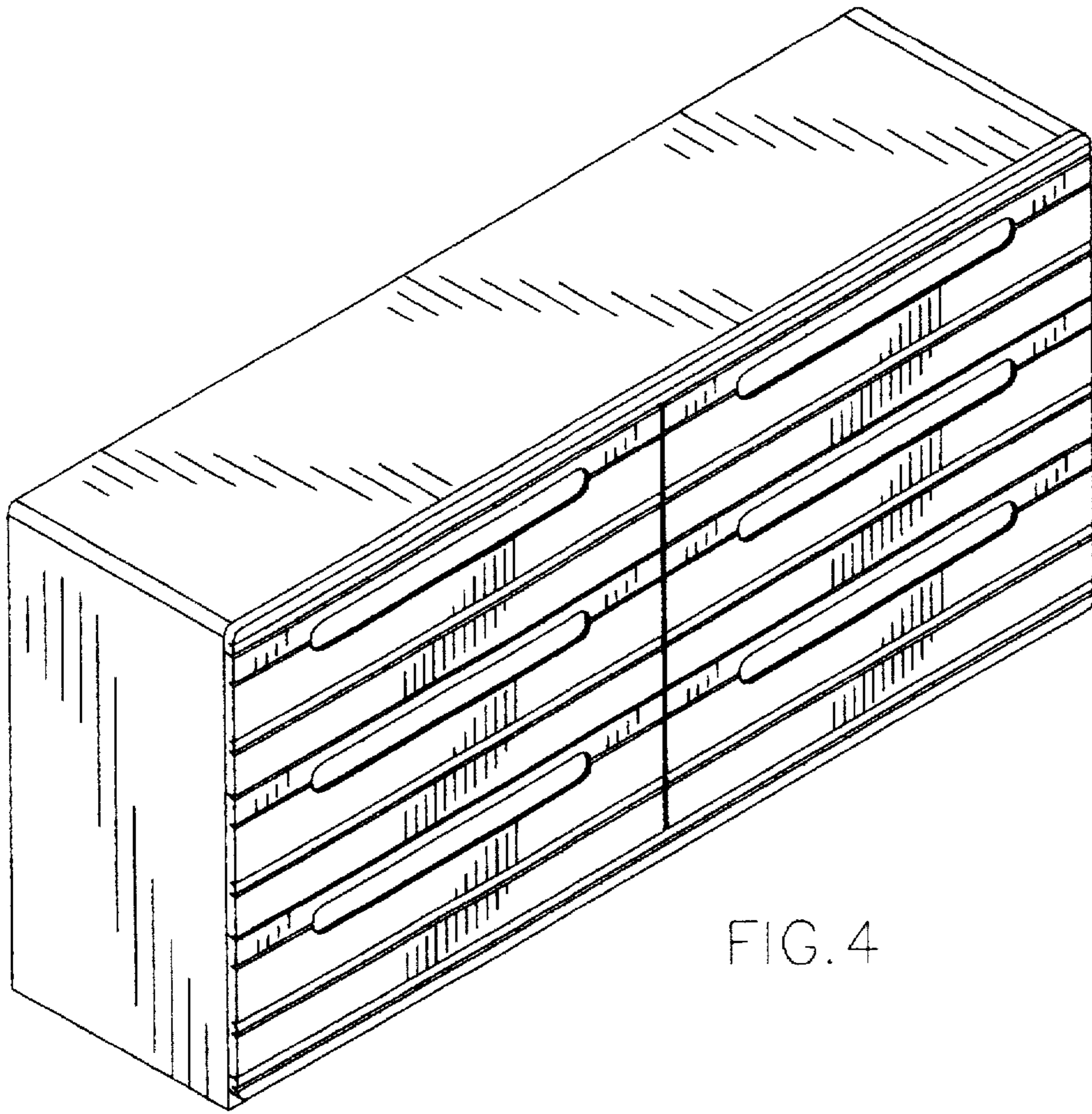


FIG. 4