



US00D396576S

United States Patent [19]
Moore

[11] **Patent Number:** **Des. 396,576**
[45] **Date of Patent:** ****Aug. 4, 1998**

[54] **PORTABLE HOUSING**

[75] **Inventor:** **Lorraine Moore, Cameron, Tex.**

[73] **Assignee:** **Balt, Inc., Cameron, Tex.**

[**] **Term:** **14 Years**

[21] **Appl. No.:** **76,981**

[22] **Filed:** **Sep. 22, 1997**

[51] **LOC (6) Cl.** **06-04**

[52] **U.S. Cl.** **D6/422**

[58] **Field of Search** D6/422, 425-431,
D6/474, 477-480, 487; D14/102-104; 108/90-93,
144, 59, 60; 312/223.2, 223.3, 194-196;
D34/12, 17, 21; 280/47.34, 47.35, 79.3

[56] **References Cited**

U.S. PATENT DOCUMENTS

- D. 273,337 4/1984 Semerjian et al. D34/21
- D. 316,723 5/1991 Ng et al. D6/429 X
- D. 318,963 8/1991 Haseke et al. D6/422 X

- D. 323,436 1/1992 Harrison D6/430 X
- D. 343,305 1/1994 Ng et al. D6/430
- D. 386,869 11/1997 Dorman et al. D34/21
- 5,623,881 4/1997 Huang 108/92 X

OTHER PUBLICATIONS

K-Log Catalog, workstation #LE-MS at bottom of p. 61, 1995.

Primary Examiner—James Gandy

Assistant Examiner—Linda Brooks

Attorney, Agent, or Firm—Wendy K. Buskop; Chamberlain, Hrdlicka et al

[57] **CLAIM**

The ornamental design for a portable housing, as shown.

DESCRIPTION

FIG. 1 shows a top perspective view of the present invention; and,

FIG. 2 shows a bottom perspective view of the present invention.

1 Claim, 2 Drawing Sheets

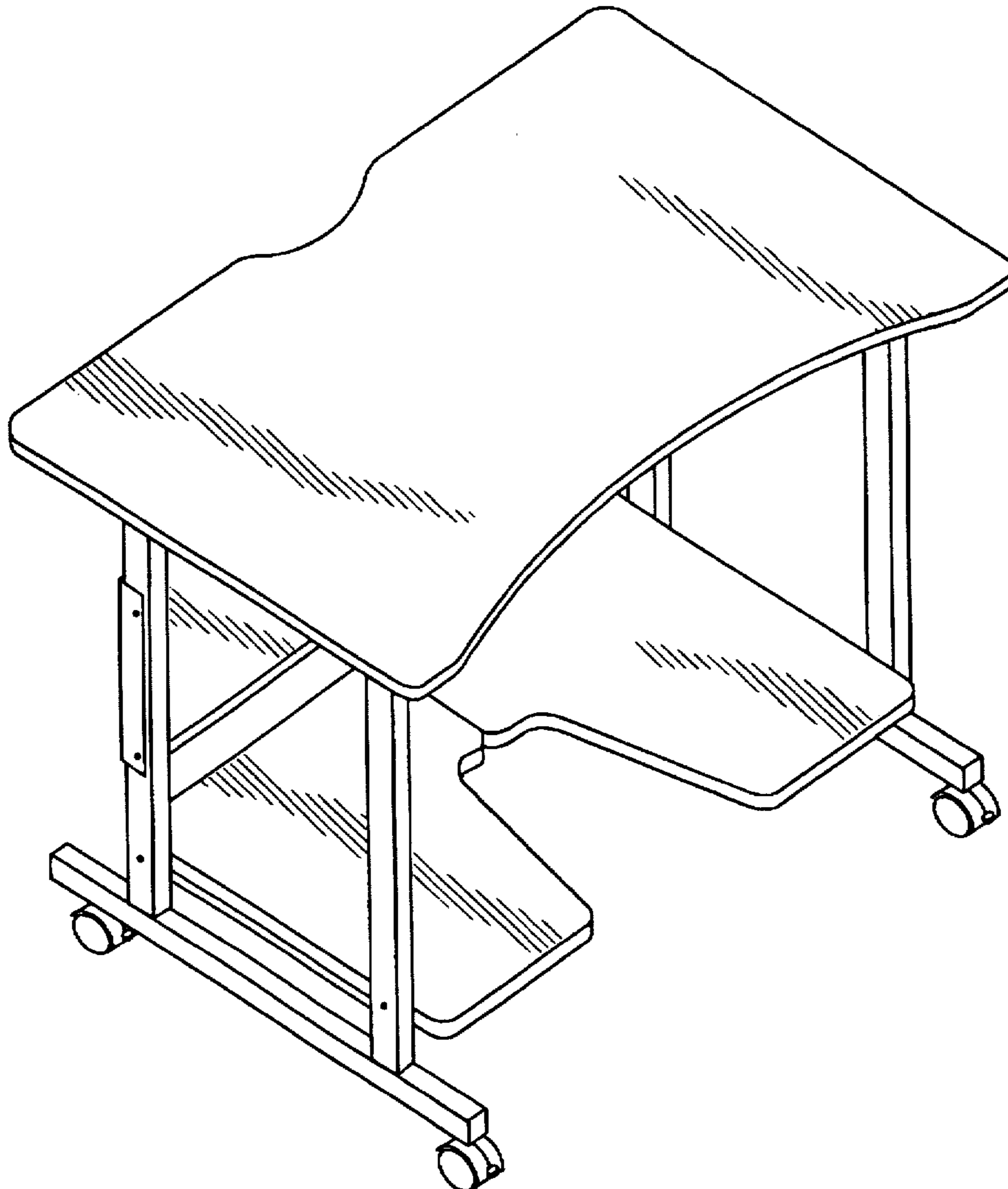


FIG. 1

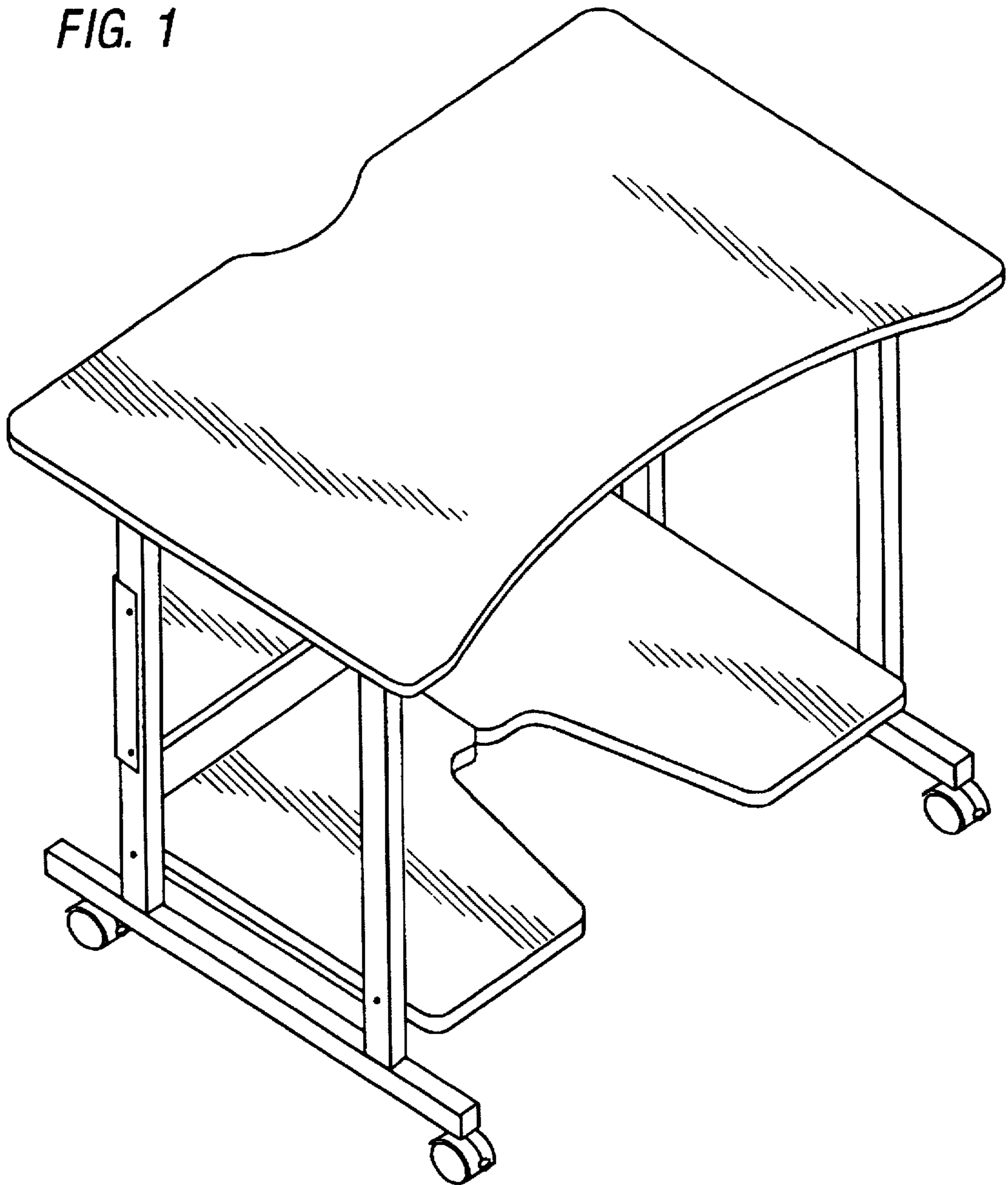


FIG. 2

