



US00D396575S

United States Patent [19]

Boyd

[11] Patent Number: **Des. 396,575**

[45] Date of Patent: ****Aug. 4, 1998**

[54] COMPACT DISC STORAGE UNIT

[76] Inventor: **Don Boyd**, 729 Heaton St., Hamilton, Ohio 45011

[**] Term: **14 Years**

[21] Appl. No.: **51,916**

[22] Filed: **Mar. 19, 1996**

[51] LOC (6) Cl. **06-04**

[52] U.S. Cl. **D6/407**

[58] Field of Search D6/407, 432-448; 211/40, 41; D19/75, 76; 206/310, 311, 312, 316.2, 387, 425, 444, 528, 308, 309; 312/9.22, 9.44

[56] References Cited

U.S. PATENT DOCUMENTS

D. 252,970	9/1979	Gutkin	D6/456
D. 280,423	9/1985	Burton et al.	D19/76
D. 323,931	2/1992	Haynes	D6/407

D. 337,668	7/1993	Van Der Molen	D6/407
5,101,972	4/1992	Hunt et al.	206/309
5,590,770	1/1997	Yeh	206/425

Primary Examiner—Doris V. Coles
Assistant Examiner—Catherine R. Oliver
Attorney, Agent, or Firm—Harold H. Dutton, Jr.

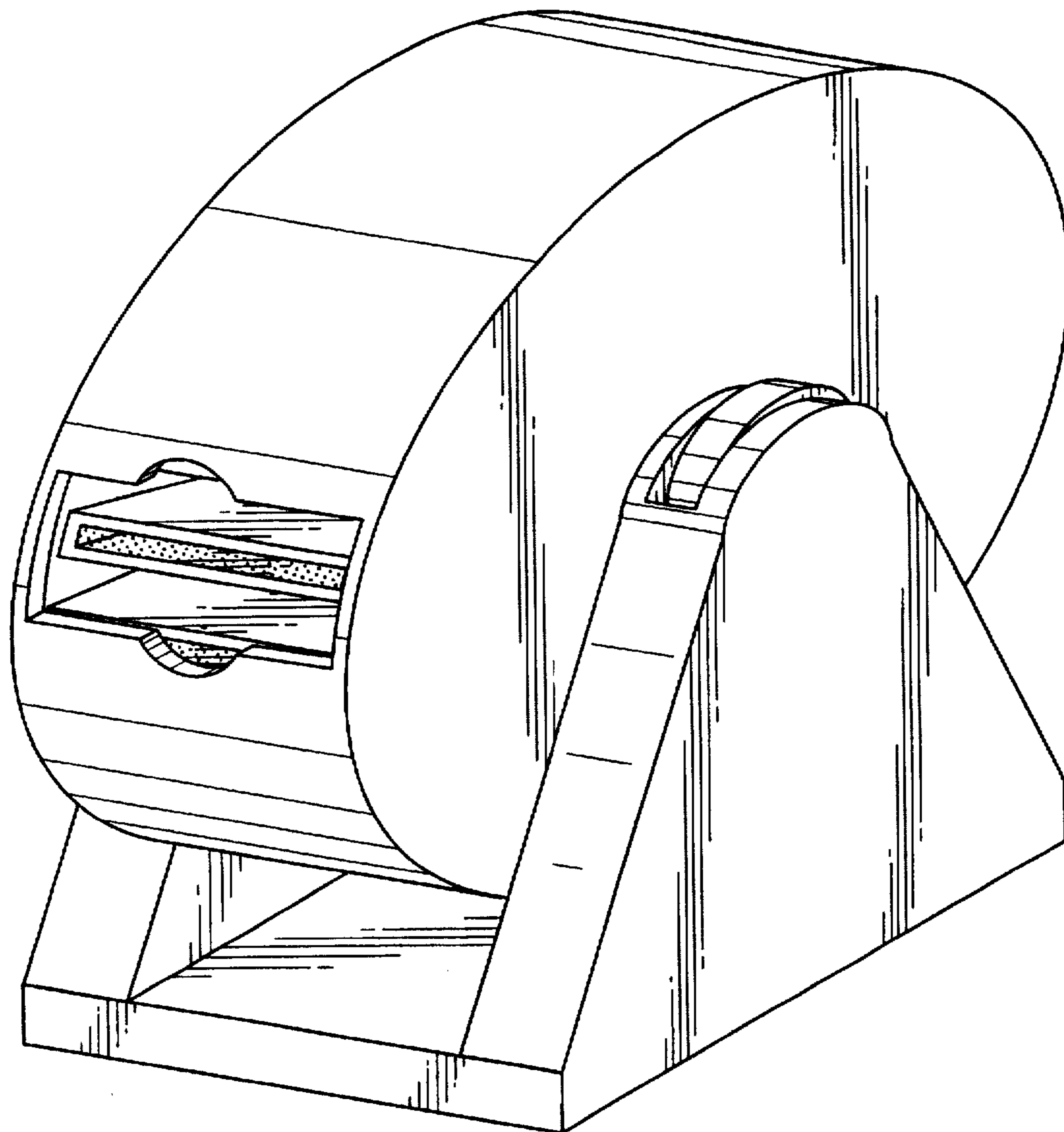
[57] CLAIM

The ornamental design for a compact disc storage unit, as shown and described.

DESCRIPTION

FIG. 1 is a perspective view of a compact disc storage unit showing my new design;
FIG. 2 is a front elevational view thereof;
FIG. 3 is a rear elevational view thereof;
FIG. 4 is a right side view thereof; and the left side is a mirror image thereof;
FIG. 5 is a top view thereof; and,
FIG. 6 is a bottom view thereof.

1 Claim, 5 Drawing Sheets



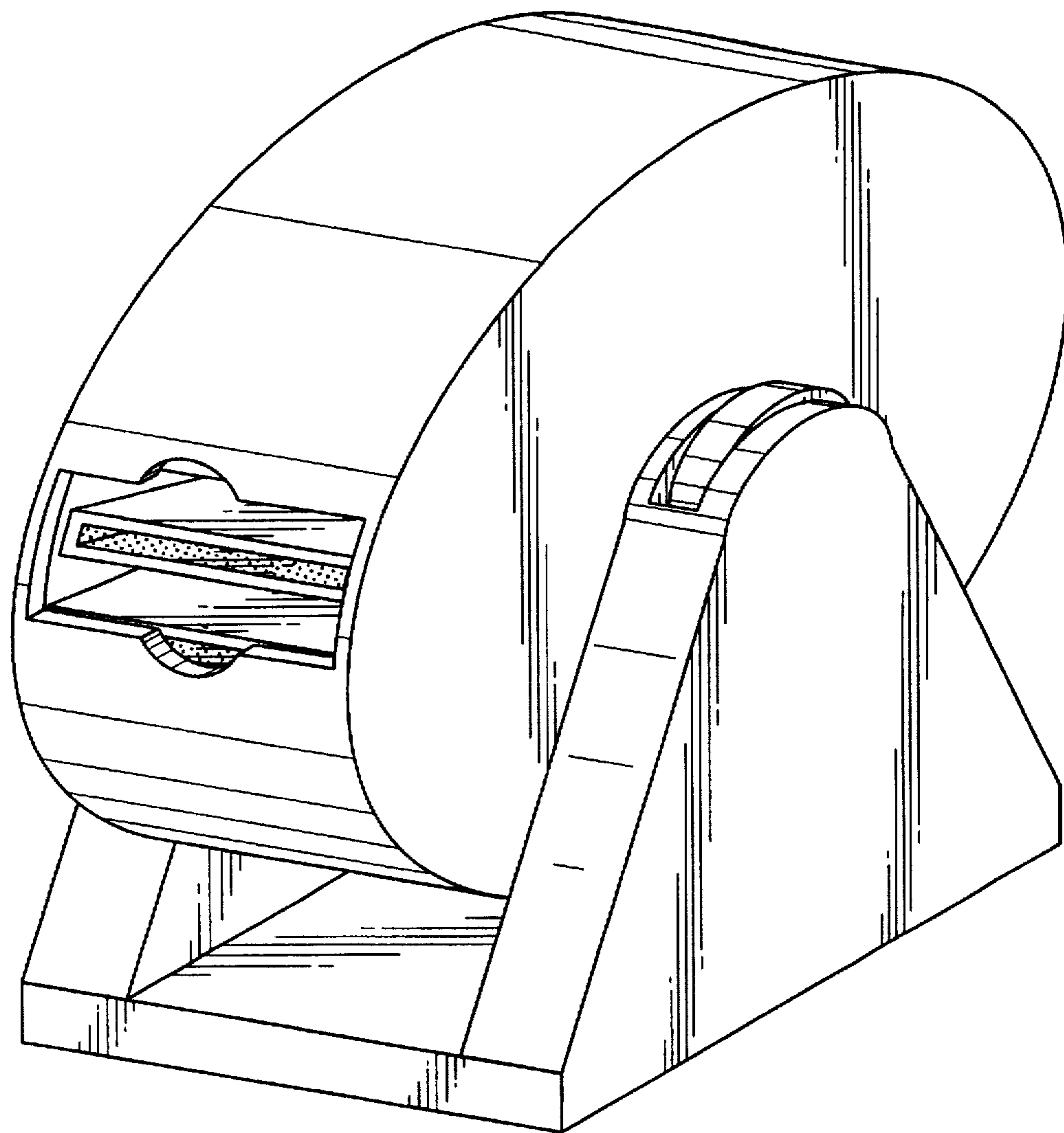


FIG. 1

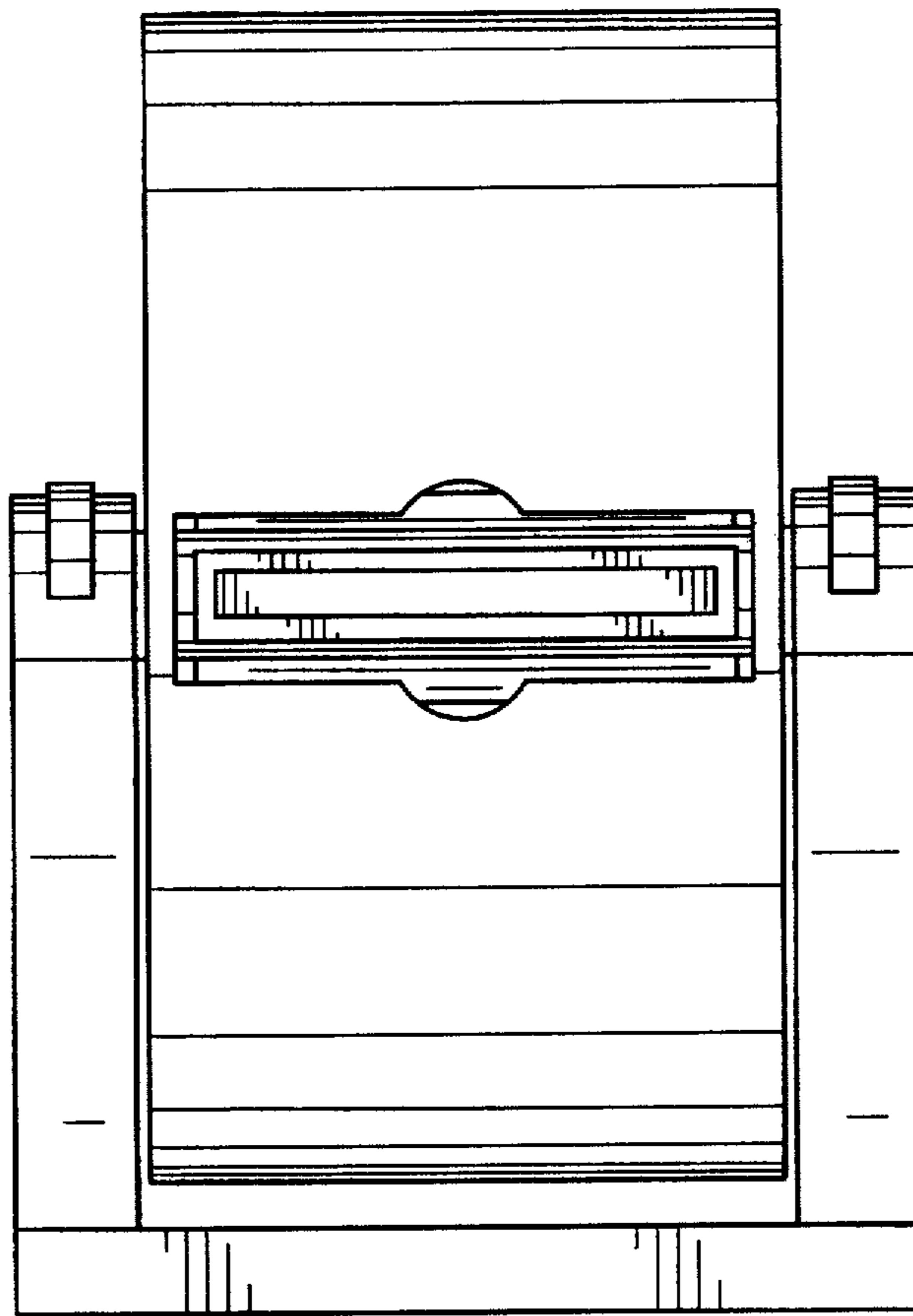


FIG. 2

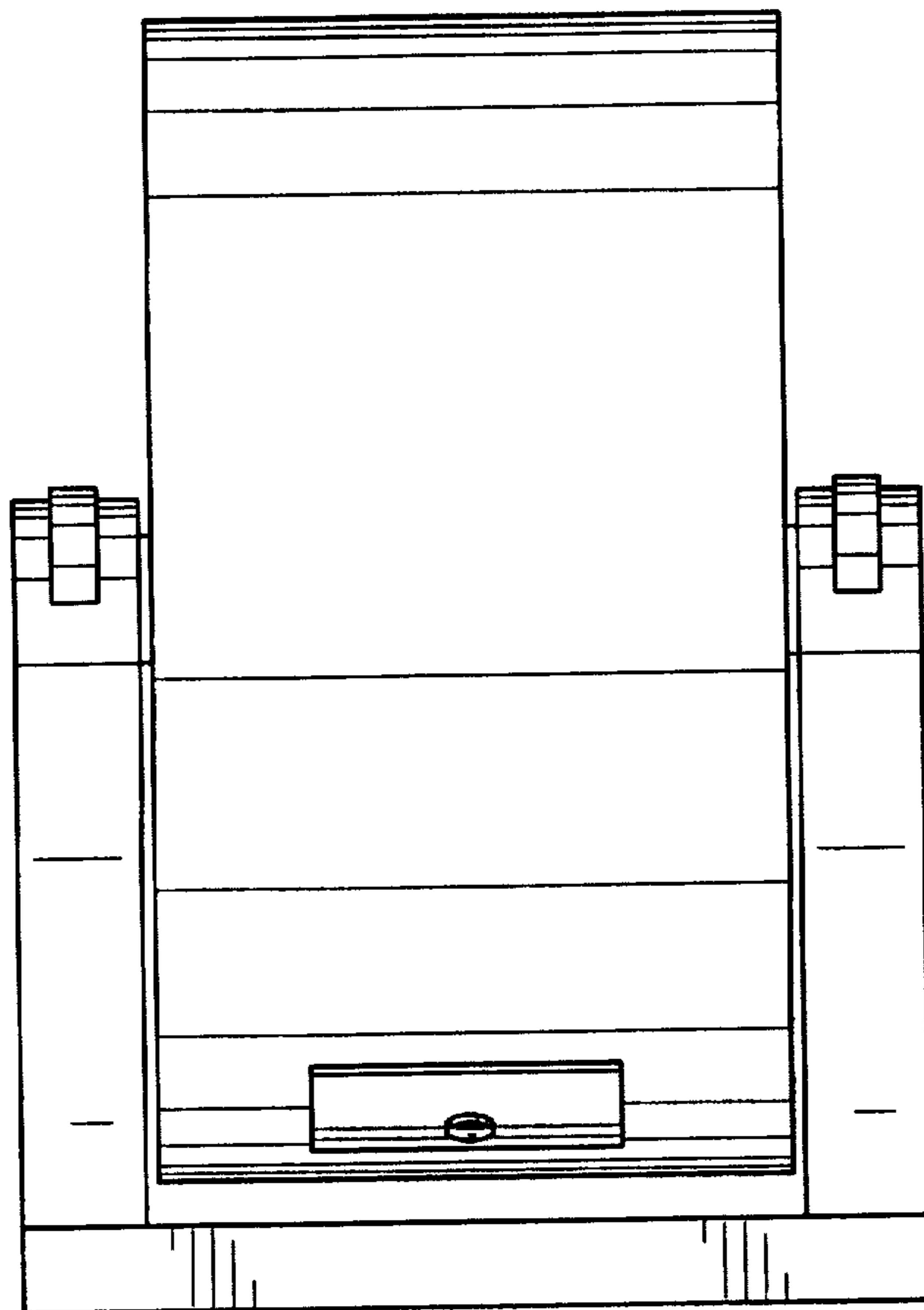


FIG. 3

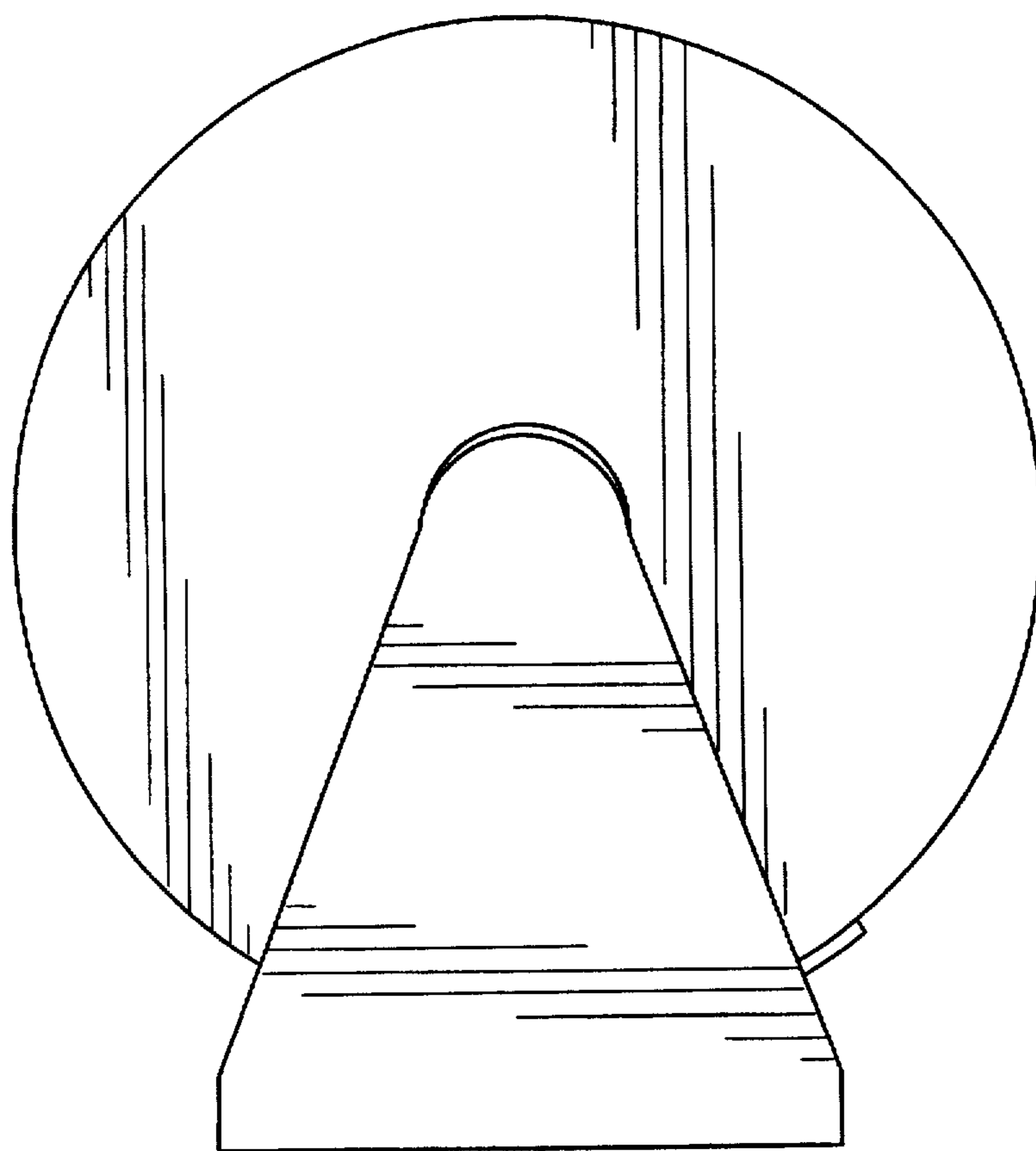


FIG. 4

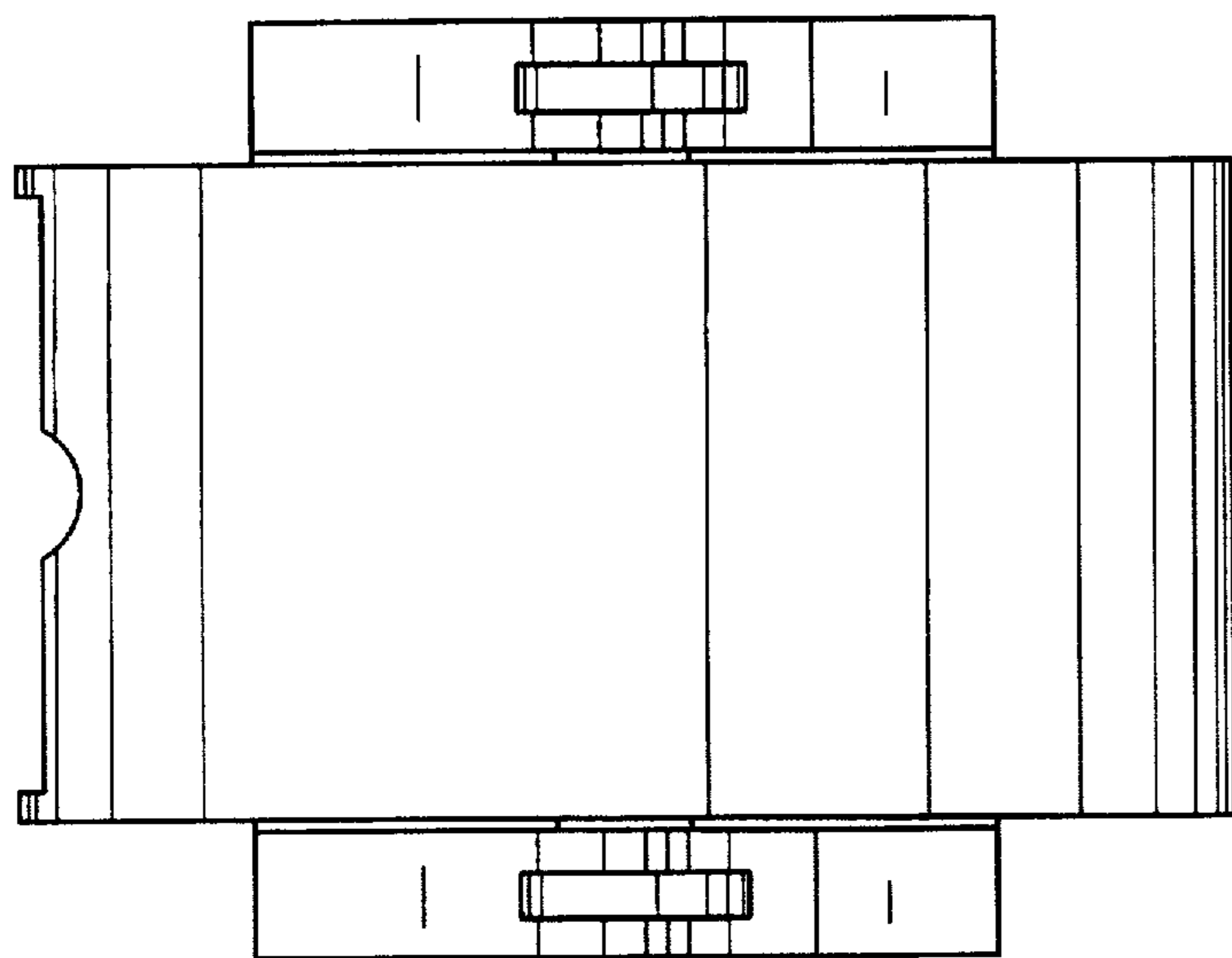


FIG. 5

FIG. 6

