

US00D396567S

# United States Patent [19]

Saul

[11] Patent Number: **Des. 396,567**

[45] Date of Patent: **\*\*\*Aug. 4, 1998**

[54] **CHAIR**

[75] Inventor: **Greg Saul, Charlotte, N.C.**

[73] Assignee: **O'Sullivan Industries, Inc., Lamar, Mo.**

[\*] Notice: The portion of the term of this patent subsequent to Jul. 7, 2012, has been disclaimed.

[\*\*] Term: **14 Years**

[21] Appl. No.: **66,960**

[22] Filed: **Feb. 28, 1997**

[51] LOC (6) Cl. .... **06-01**

[52] U.S. Cl. .... **D6/366**

[58] Field of Search ..... D6/334, 364, 365, D6/366, 367, 379, 500, 501, 502; 297/411.2

[56] **References Cited**

**U.S. PATENT DOCUMENTS**

- D. 119,047 2/1940 Page ..... D6/366
- D. 301,662 6/1989 Vonhausen ..... D6/366

- D. 318,763 8/1991 George et al. .... D6/366
- D. 349,822 8/1994 Murry ..... D6/379
- D. 354,178 1/1995 Ochsner ..... D6/366
- D. 379,408 5/1997 Feldberg ..... D6/366

**OTHER PUBLICATIONS**

Cartwright, p. 2A, Chair Shown, 1985.  
AGI Industries, Inc., Chairs J&K Shown, Feb. 11, 1992.

*Primary Examiner*—Gary D. Watson  
*Attorney, Agent, or Firm*—Haynes and Boone, L.L.P.

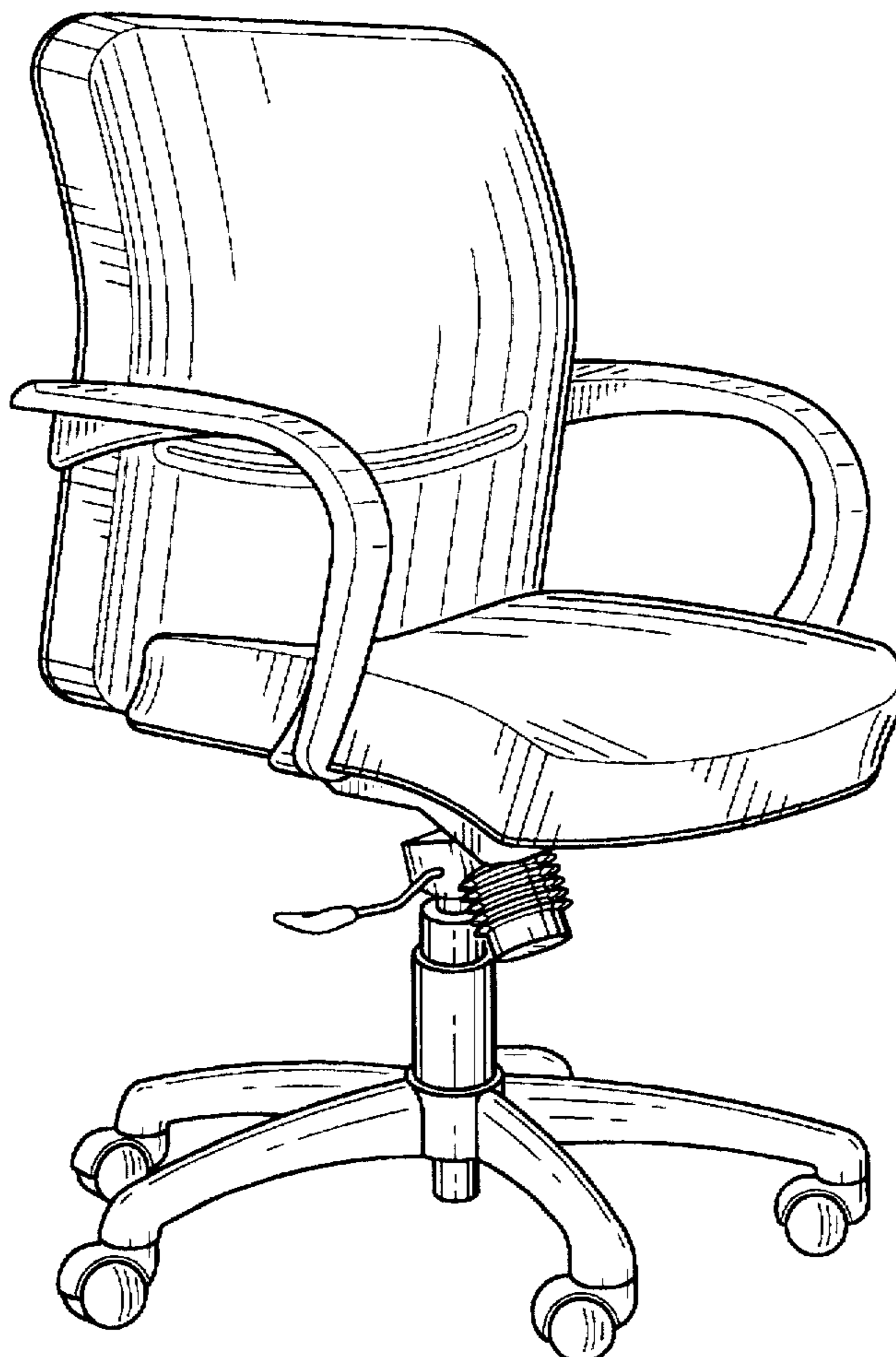
[57] **CLAIM**

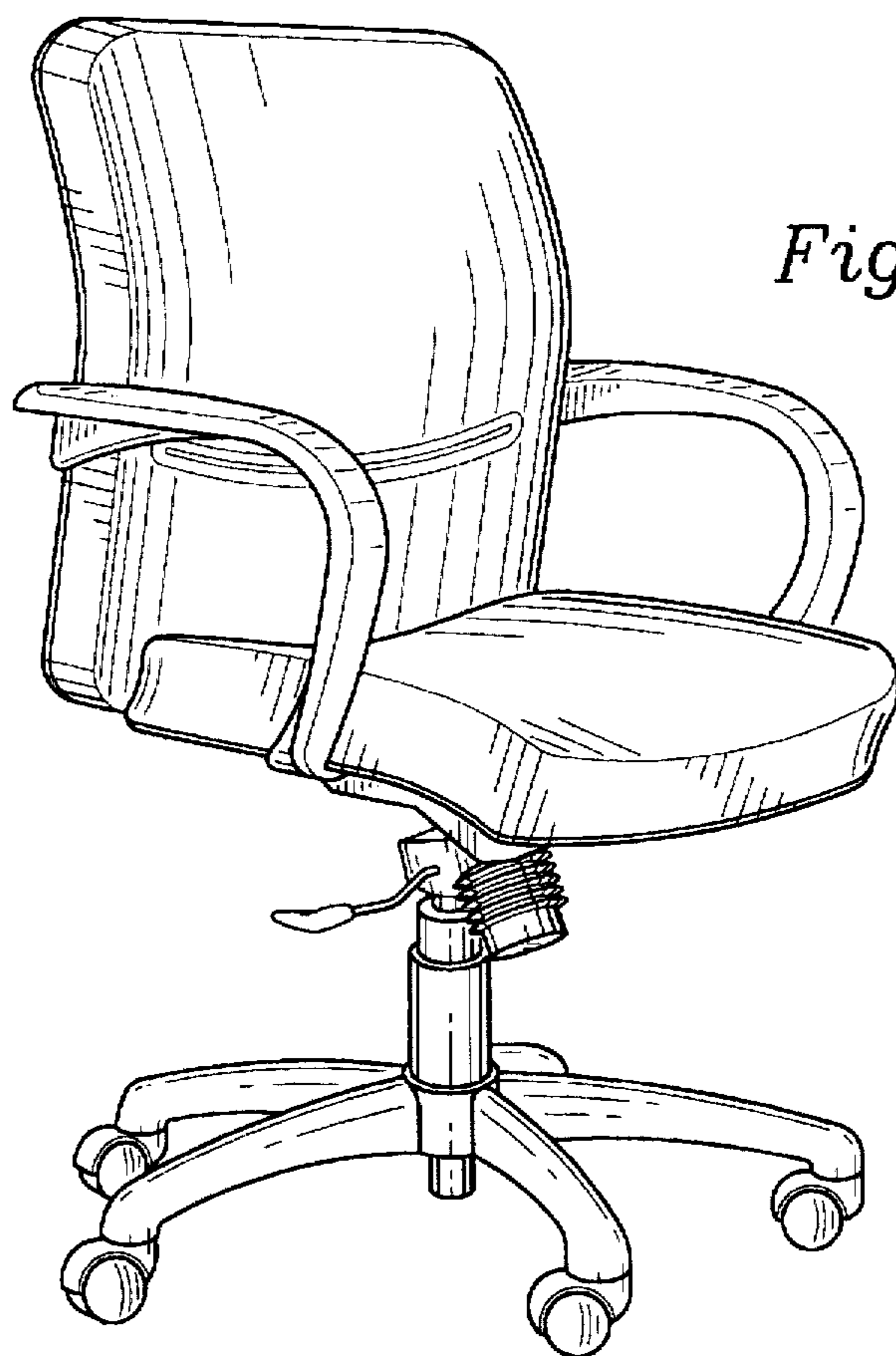
The ornamental design for a chair, as shown and described.

**DESCRIPTION**

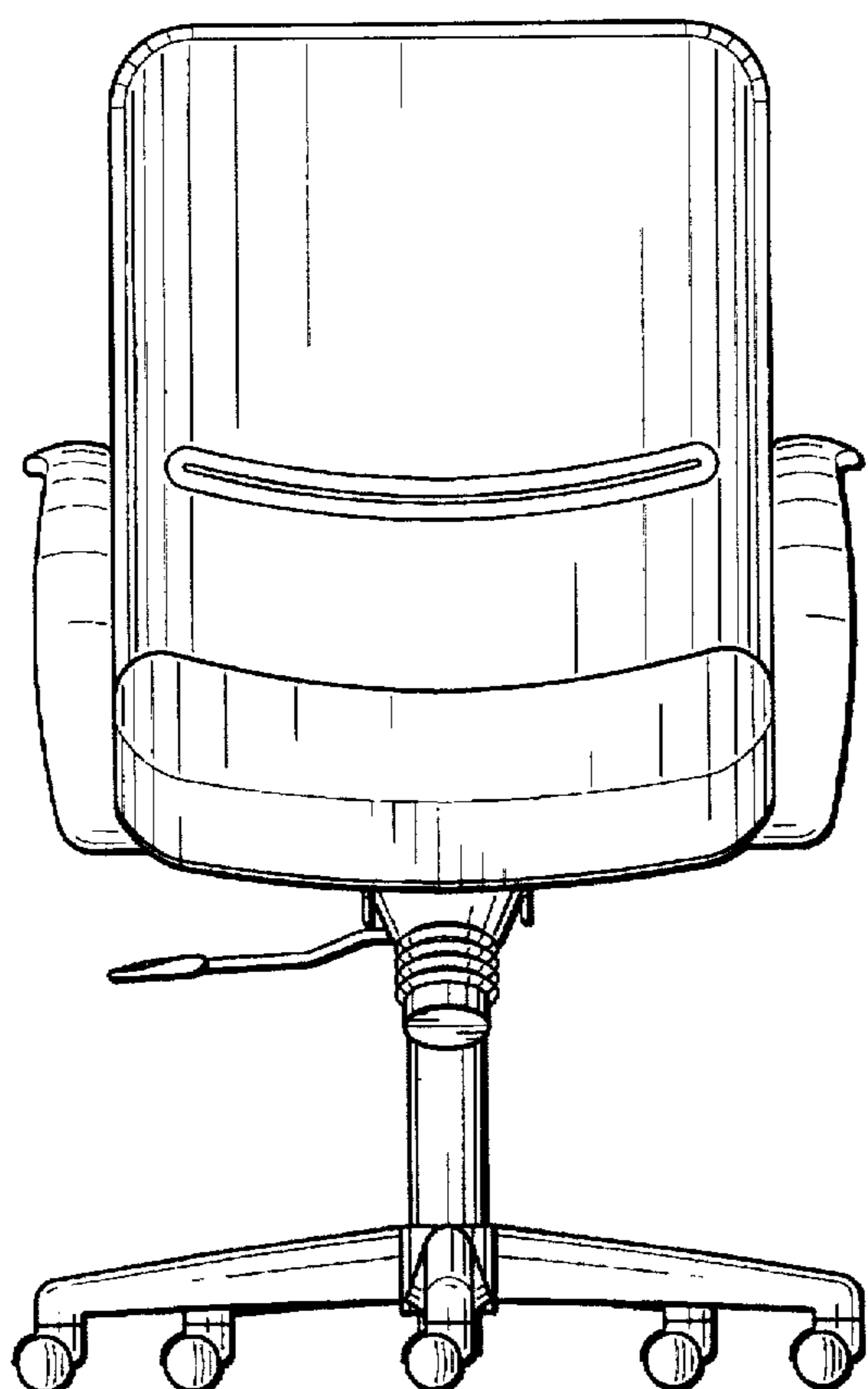
FIG. 1 is a perspective view of a chair showing our new design;  
FIG. 2 is a front elevational view thereof;  
FIG. 3 is a left side elevational view thereof;  
FIG. 4 is a rear elevational view thereof;  
FIG. 5 is a right side elevational view thereof;  
FIG. 6 is a top plan view thereof; and,  
FIG. 7 is a bottom plan view thereof.

**1 Claim, 3 Drawing Sheets**

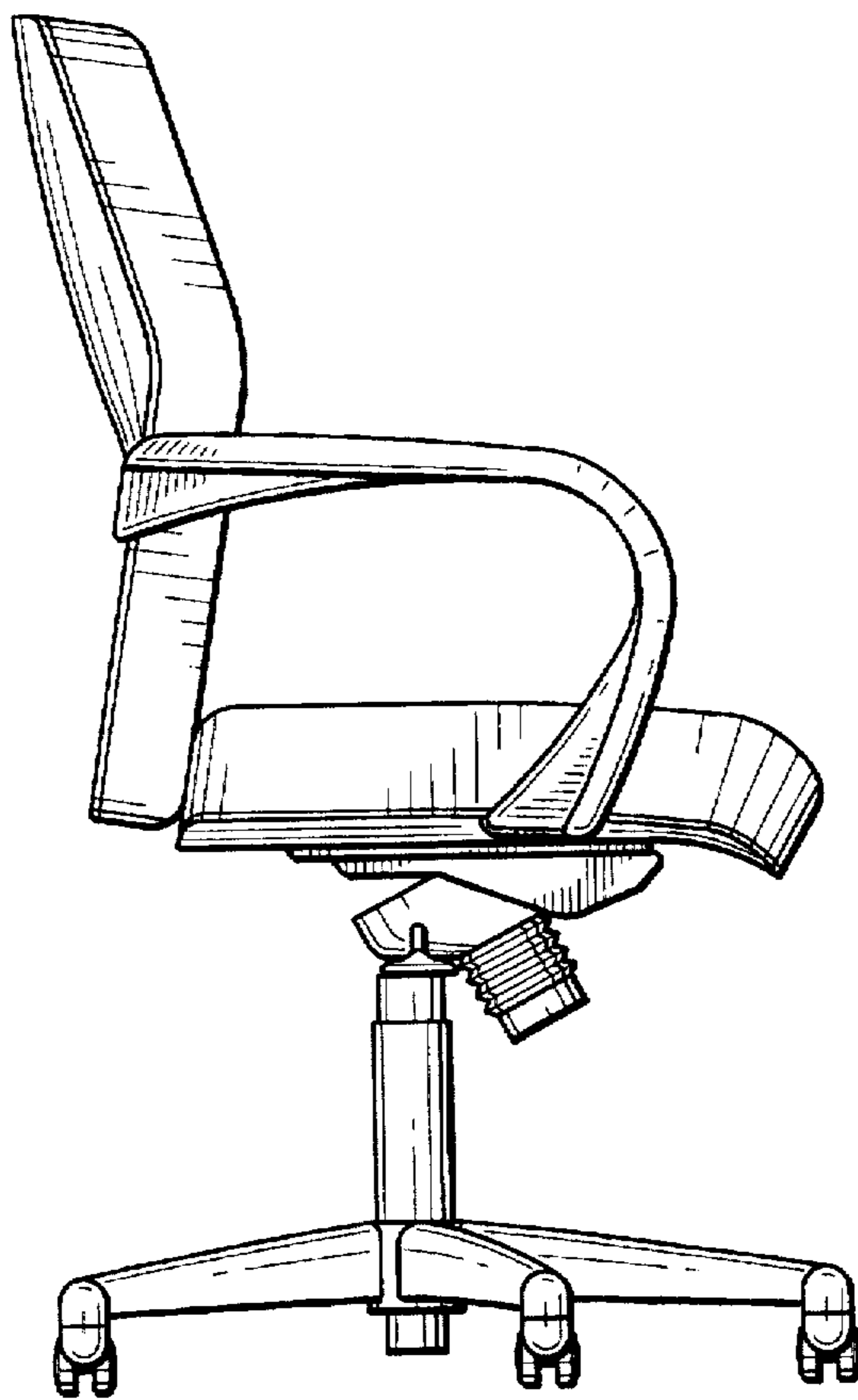




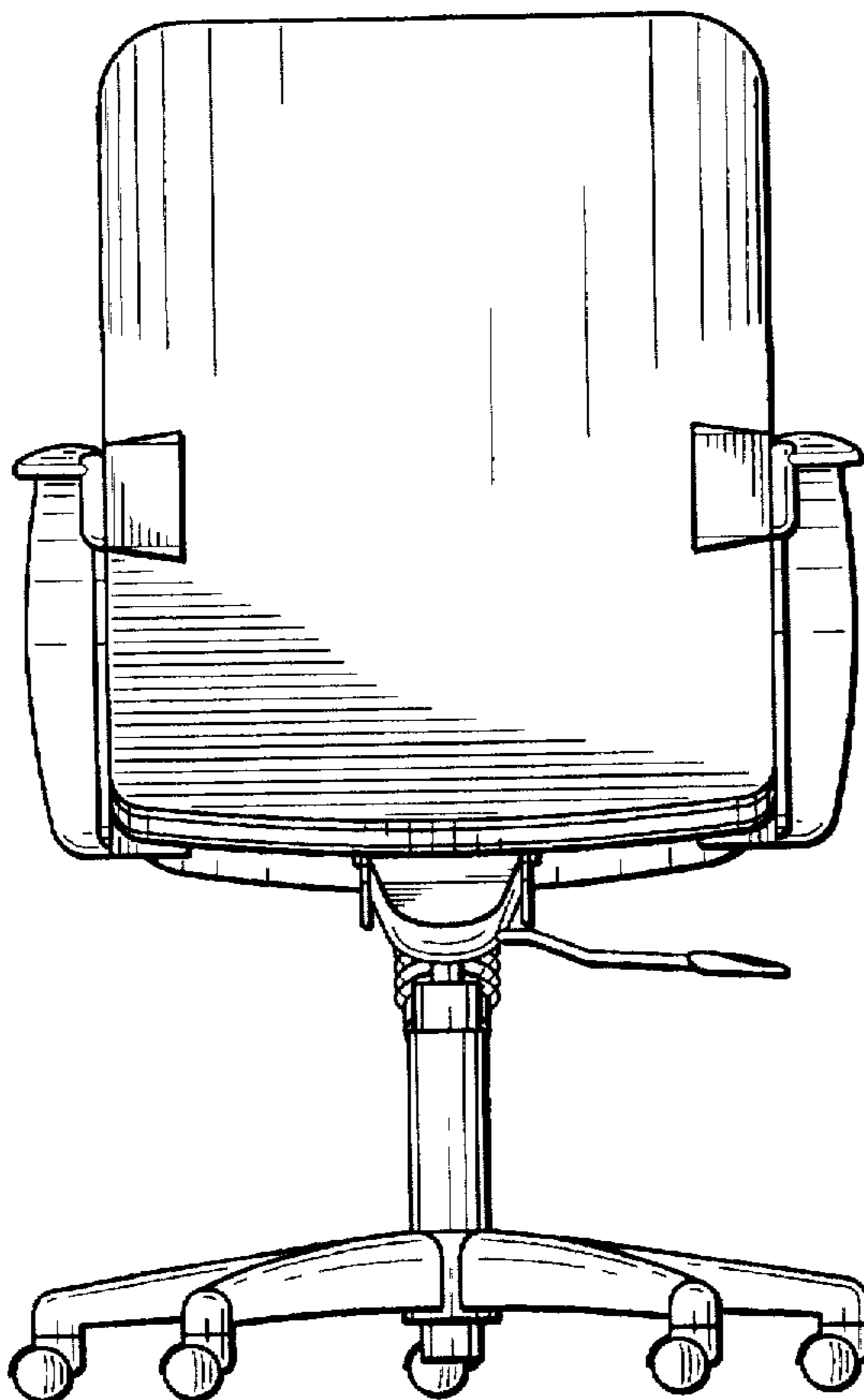
*Fig. 1*



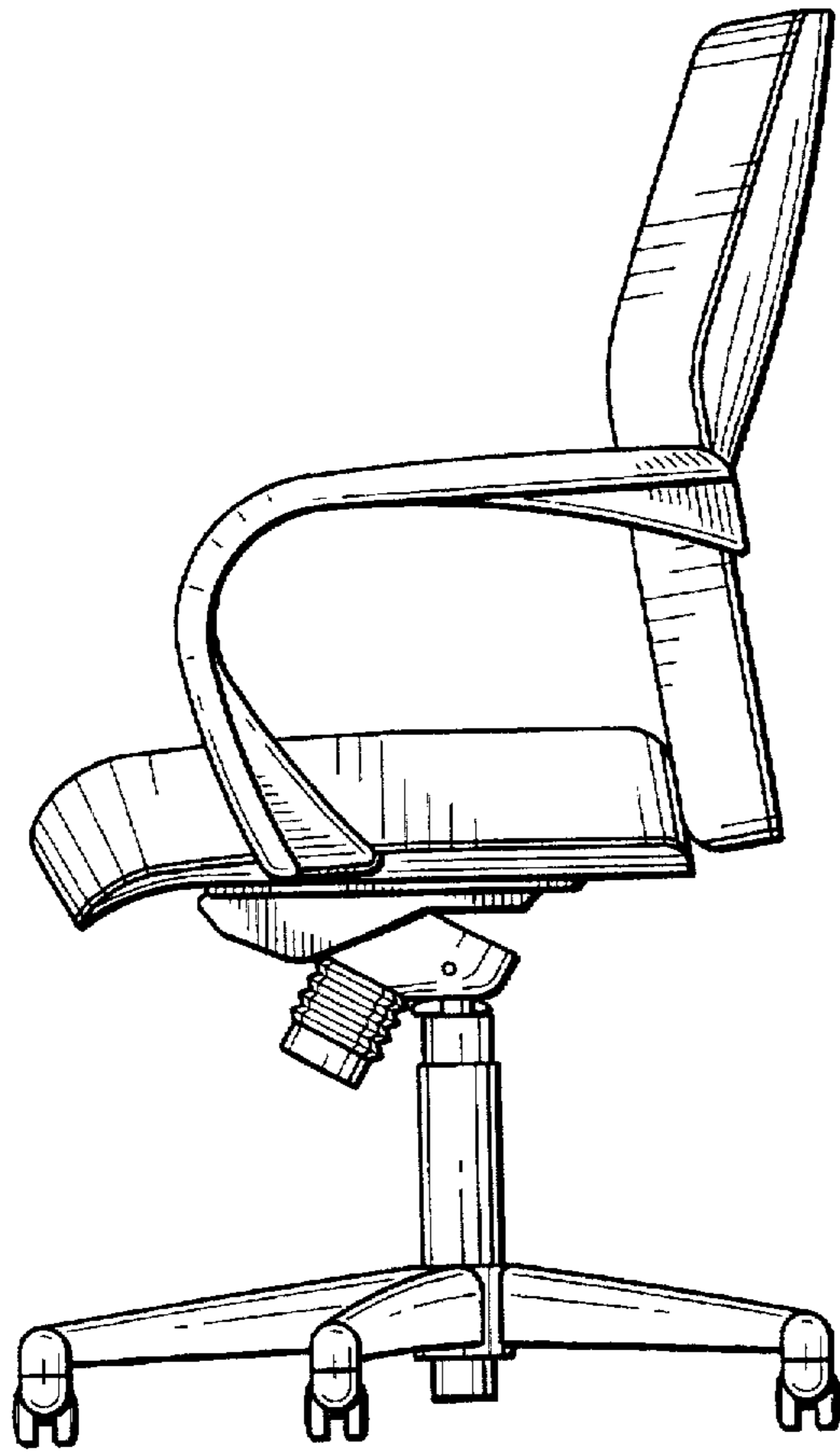
*Fig. 2*



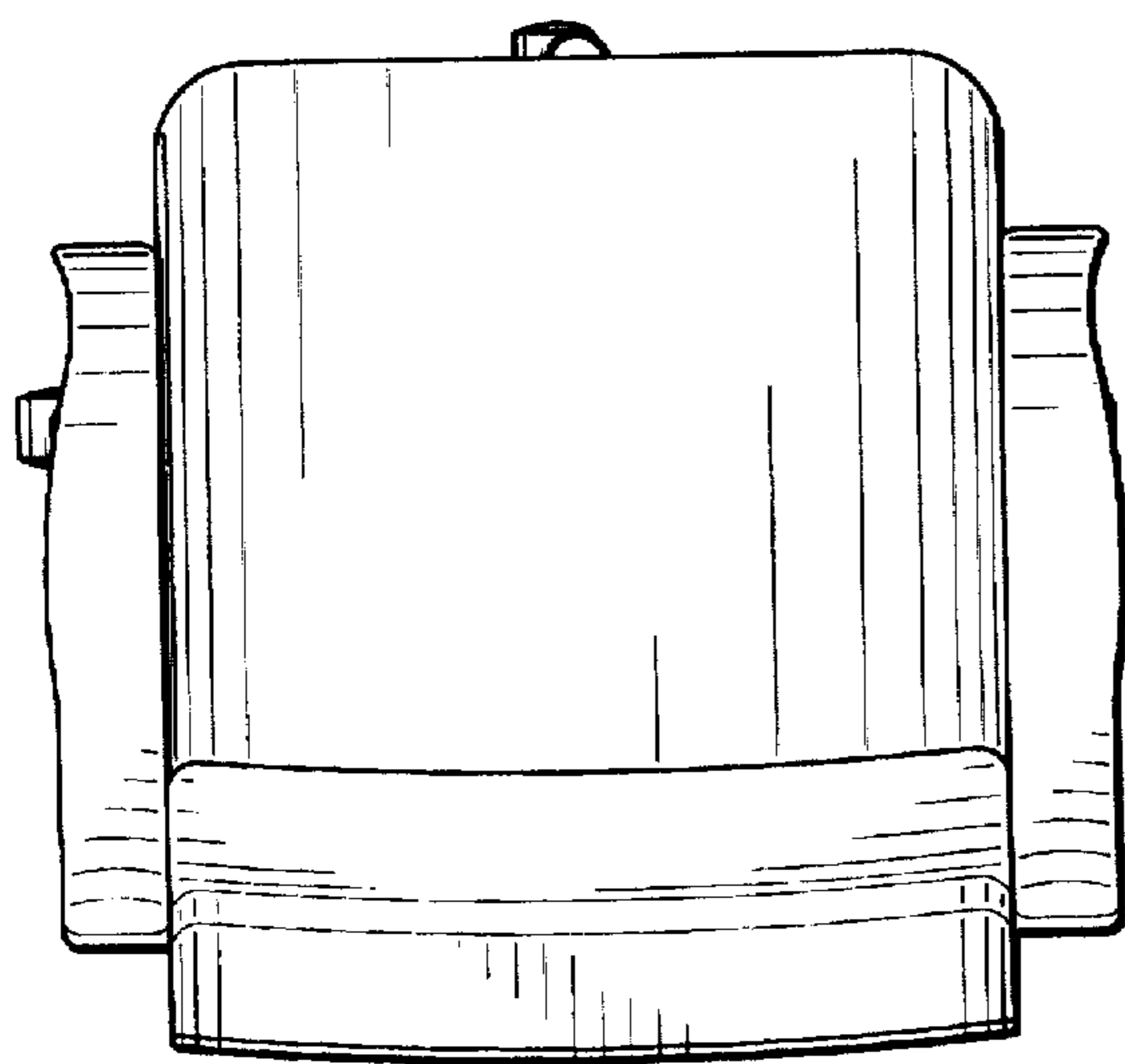
*Fig. 3*



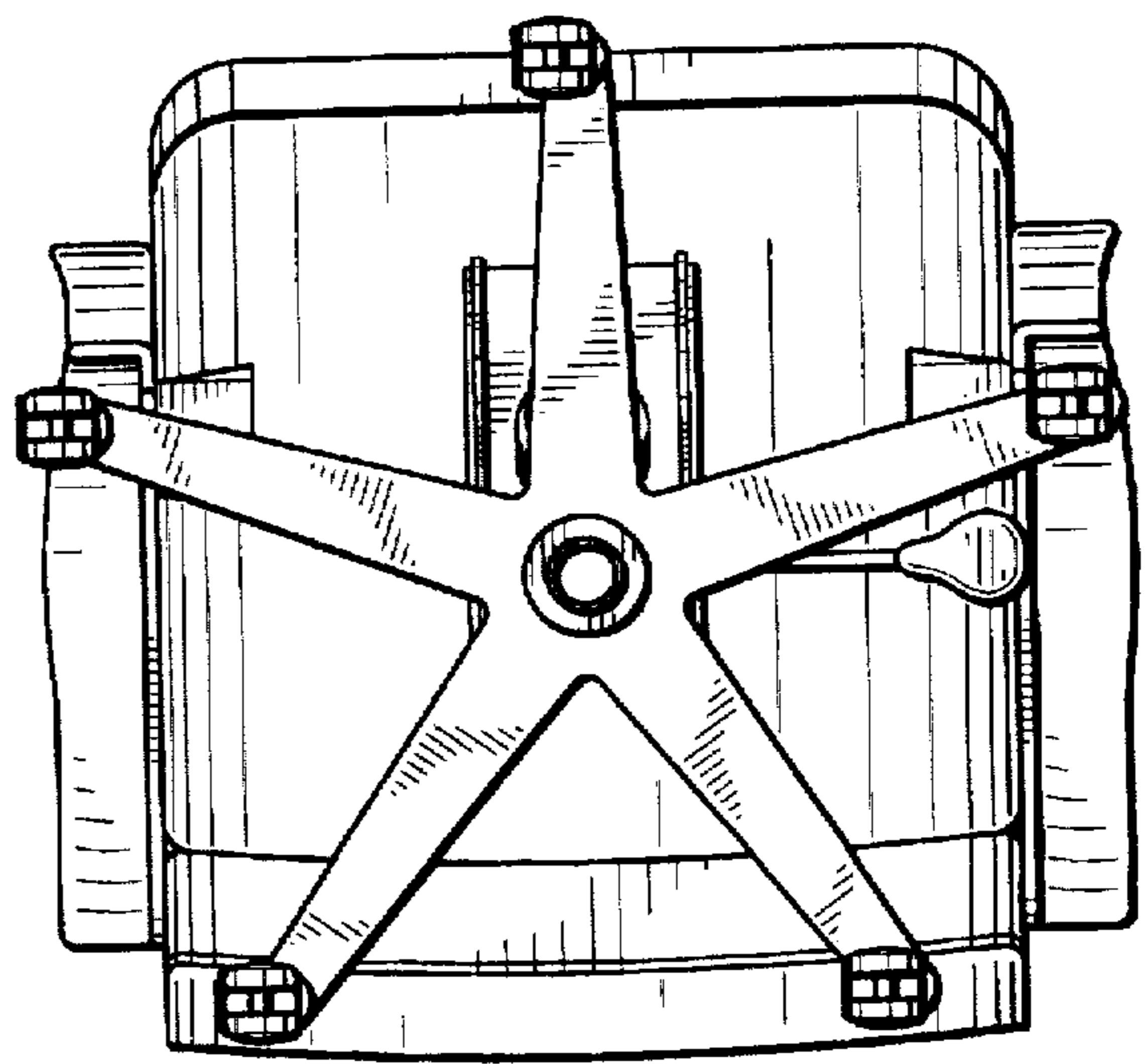
*Fig. 4*



*Fig. 5*



*Fig. 6*



*Fig. 7*