



US00D396566S

United States Patent [19]

Albrecht

[11] Patent Number: **Des. 396,566**

[45] Date of Patent: ****Aug. 4, 1998**

[54] **HEIGHT PLATFORM WITH DRAINS**

[75] Inventor: **Donald H. Albrecht, Carrollton, Tex.**

[73] Assignee: **Composite Structures International, Inc., Dallas, Tex.**

[**] Term: **14 Years**

[21] Appl. No.: **75,400**

[22] Filed: **Aug. 19, 1997**

Related U.S. Application Data

[63] Continuation of Ser. No. 512,879, Aug. 9, 1995.

[51] LOC (6) Cl. **06-06**

[52] U.S. Cl. **D6/349**

[58] Field of Search D6/349, 350, 352, D6/353, 355; 297/423.1, 423.39, 423.41, 423.43, 461, 462; 248/346.01

[56] References Cited

U.S. PATENT DOCUMENTS

D. 157,319 2/1950 Bair D6/349

D. 268,796 5/1983 Kola D6/349
D. 337,211 7/1993 Bergkvist D6/349
D. 355,988 3/1995 Brooking D6/382

Primary Examiner—Janice E. Seeger

[57] CLAIM

The ornamental design for a height platform with drains, as shown and described.

DESCRIPTION

FIG. 1 is a perspective view of the height platform with drains;

FIG. 2 is a top view of the height platform with drains;

FIG. 3 is a side view, with all other sides being identical, of the height platform with drains;

FIG. 4 is a bottom view of the height platform with drains; and,

FIG. 5 is a cross-sectional view along line D—D of FIG. 2 of the height platform with drains.

1 Claim, 2 Drawing Sheets

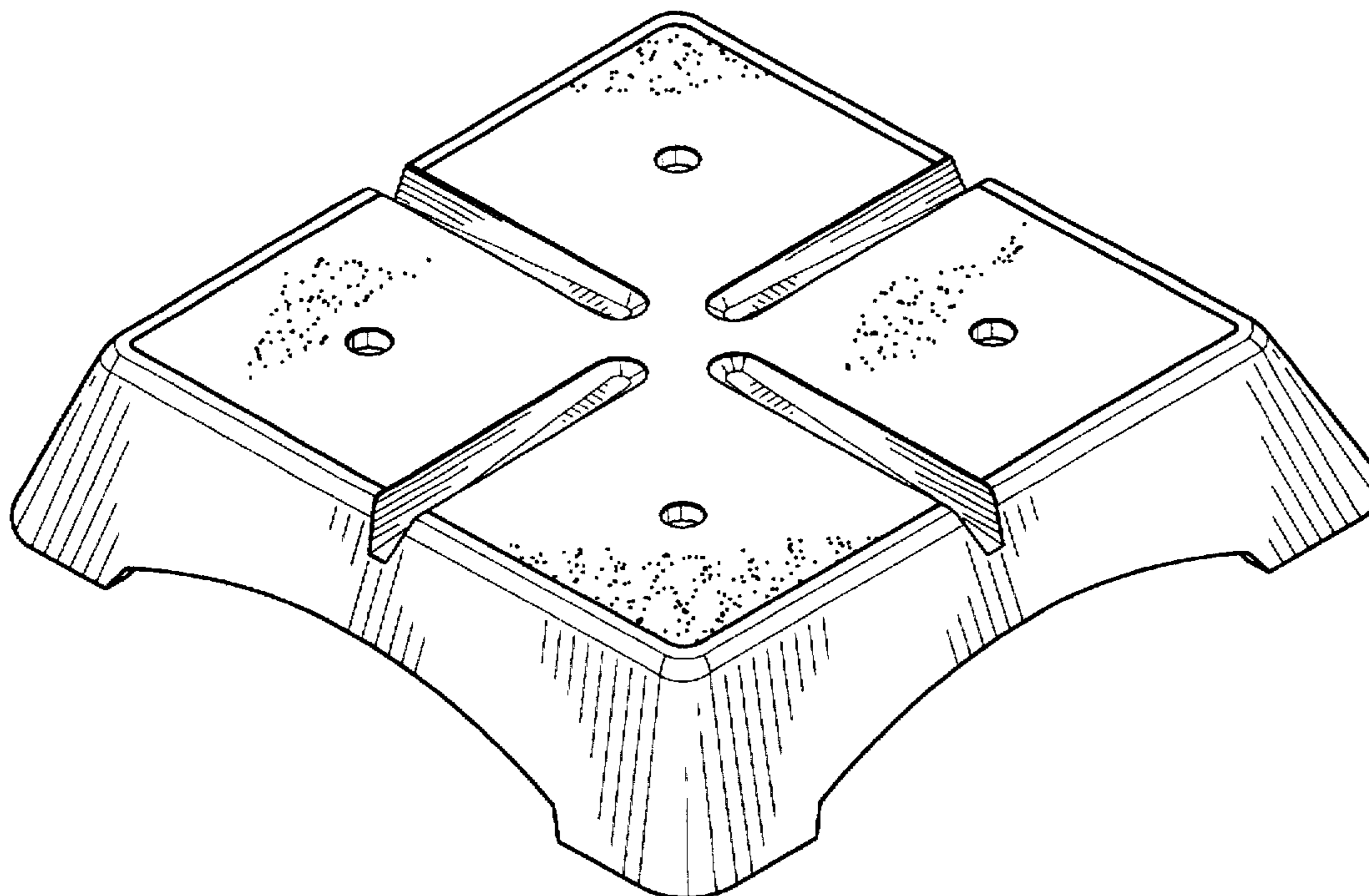


FIG. 1

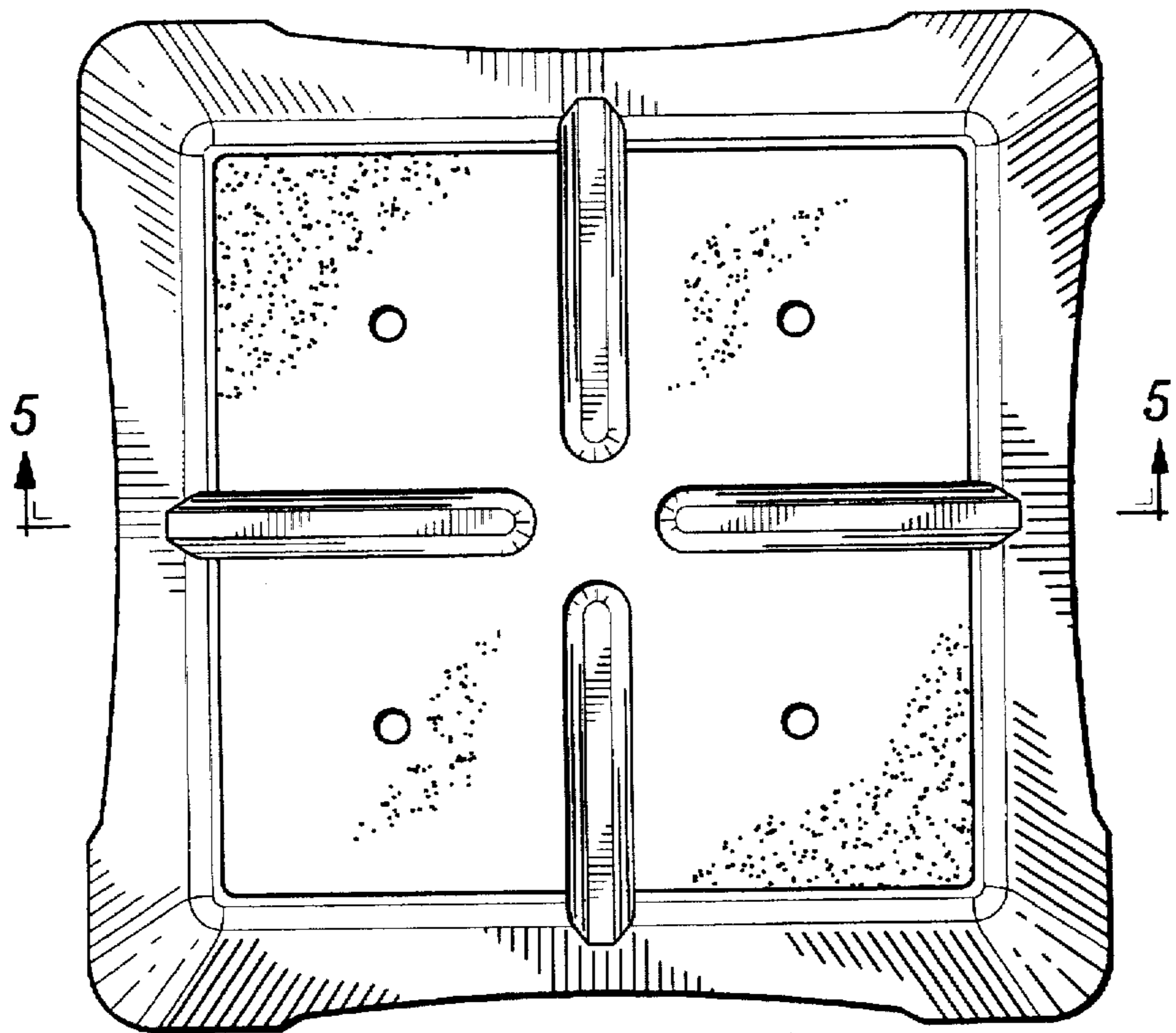
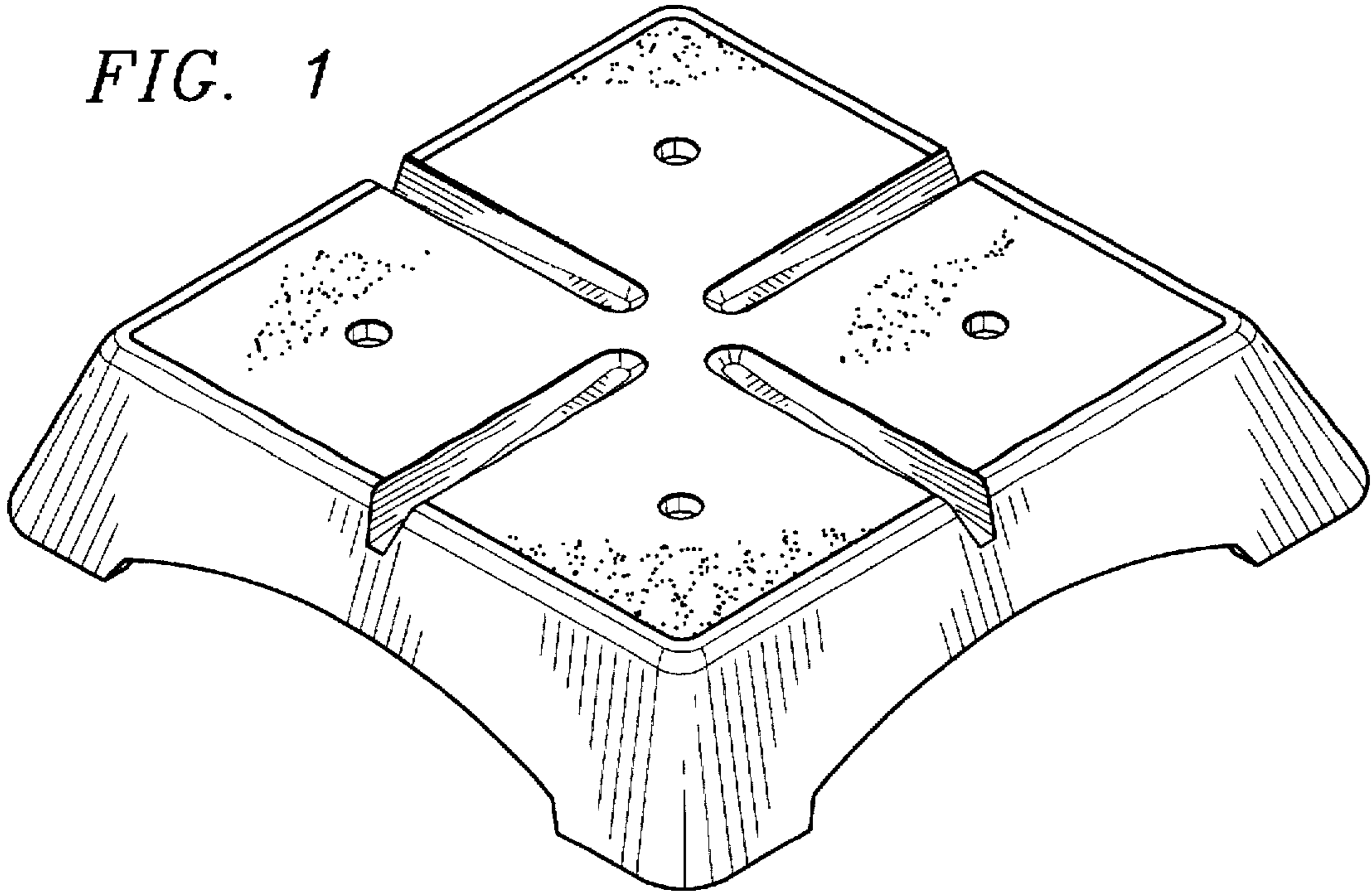


FIG. 2

FIG. 3

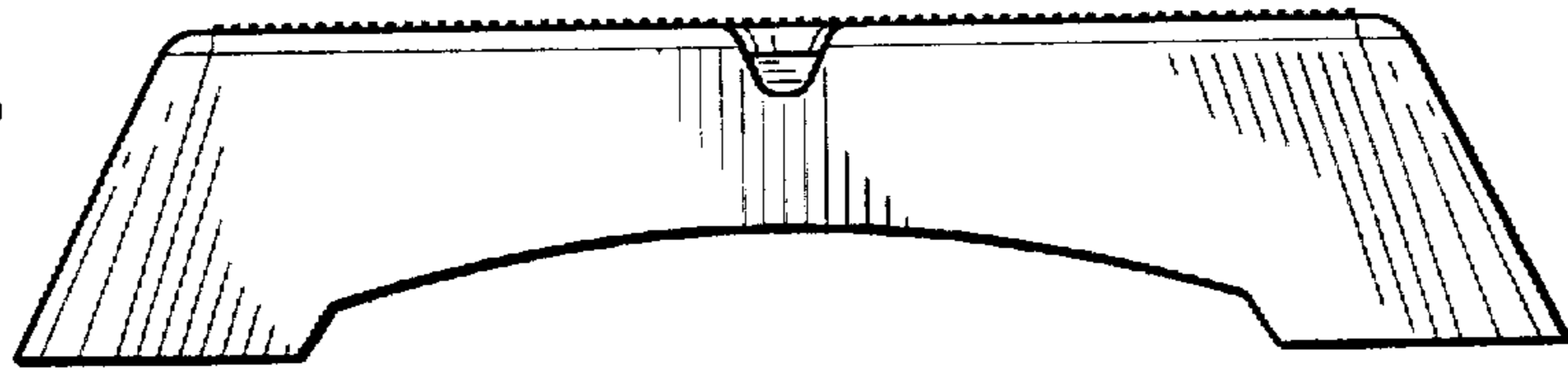


FIG. 4

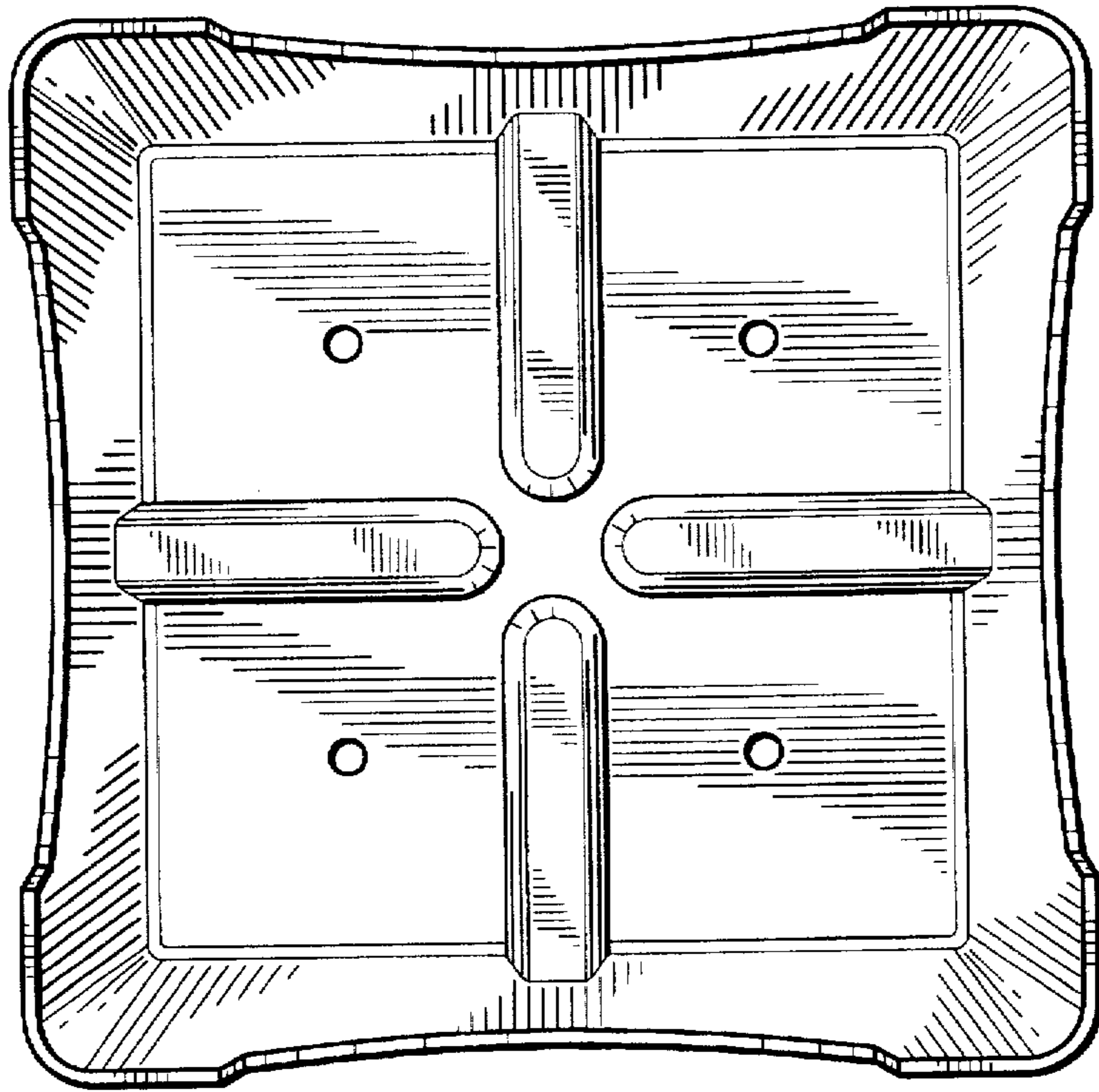


FIG. 5

