



US00D396564S

United States Patent [19]
Tseng

[11] **Patent Number:** **Des. 396,564**
[45] **Date of Patent:** ****Aug. 4, 1998**

[54] **SWING**

D. 381,831 8/1997 Prehart D6/347

[75] **Inventor:** **Chuen-Jong Tseng, Chiayi Hsien,**
Taiwan

Primary Examiner—Gary D. Watson
Attorney, Agent, or Firm—Ladas & Parry

[73] **Assignee:** **Shin Yen Enterprise Co., Ltd., Taipei,**
Taiwan

[57] **CLAIM**

[**] **Term:** **14 Years**

The ornamental design for a swing, as shown and described.

[21] **Appl. No.:** **69,889**

[22] **Filed:** **May 19, 1997**

[51] **LOC (6) Cl.** **06-01**

[52] **U.S. Cl.** **D6/347; D6/344**

[58] **Field of Search** **D6/334, 335, 344,**
D6/347, 371, 373, 381, 500, 501, 502;
D21/246; 297/273, 277; 472/118, 125

DESCRIPTION

FIG. 1 is a perspective view of a swing showing my new design;

FIG. 2 is a front elevational view thereof;

FIG. 3 is a rear elevational view thereof;

FIG. 4 is a left side elevational view thereof;

FIG. 5 is a right side elevational view thereof;

FIG. 6 is a top plan view thereof; and,

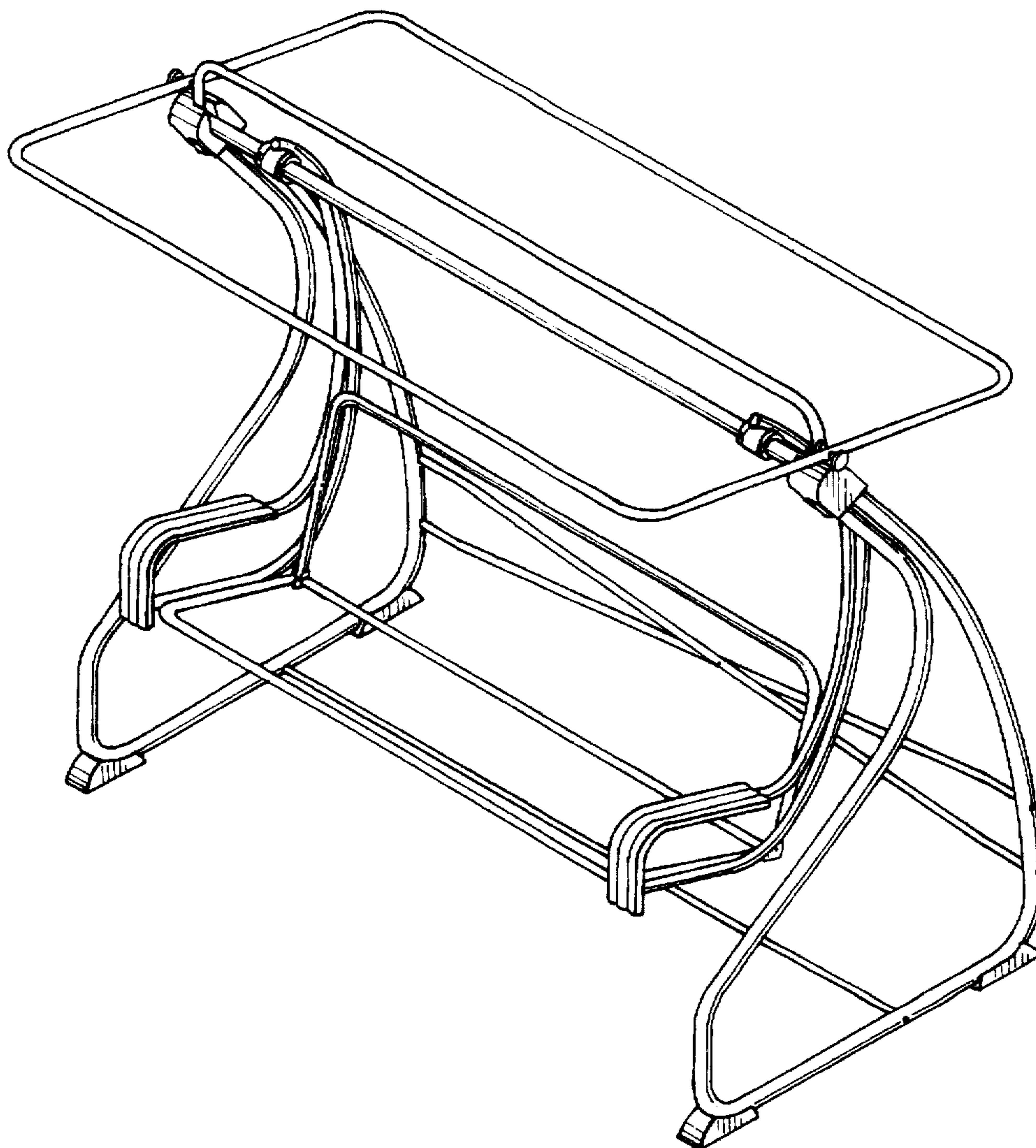
FIG. 7 is a bottom plan view thereof.

[56] **References Cited**

U.S. PATENT DOCUMENTS

D. 281,376 11/1985 Gregory, III D6/344

1 Claim, 4 Drawing Sheets



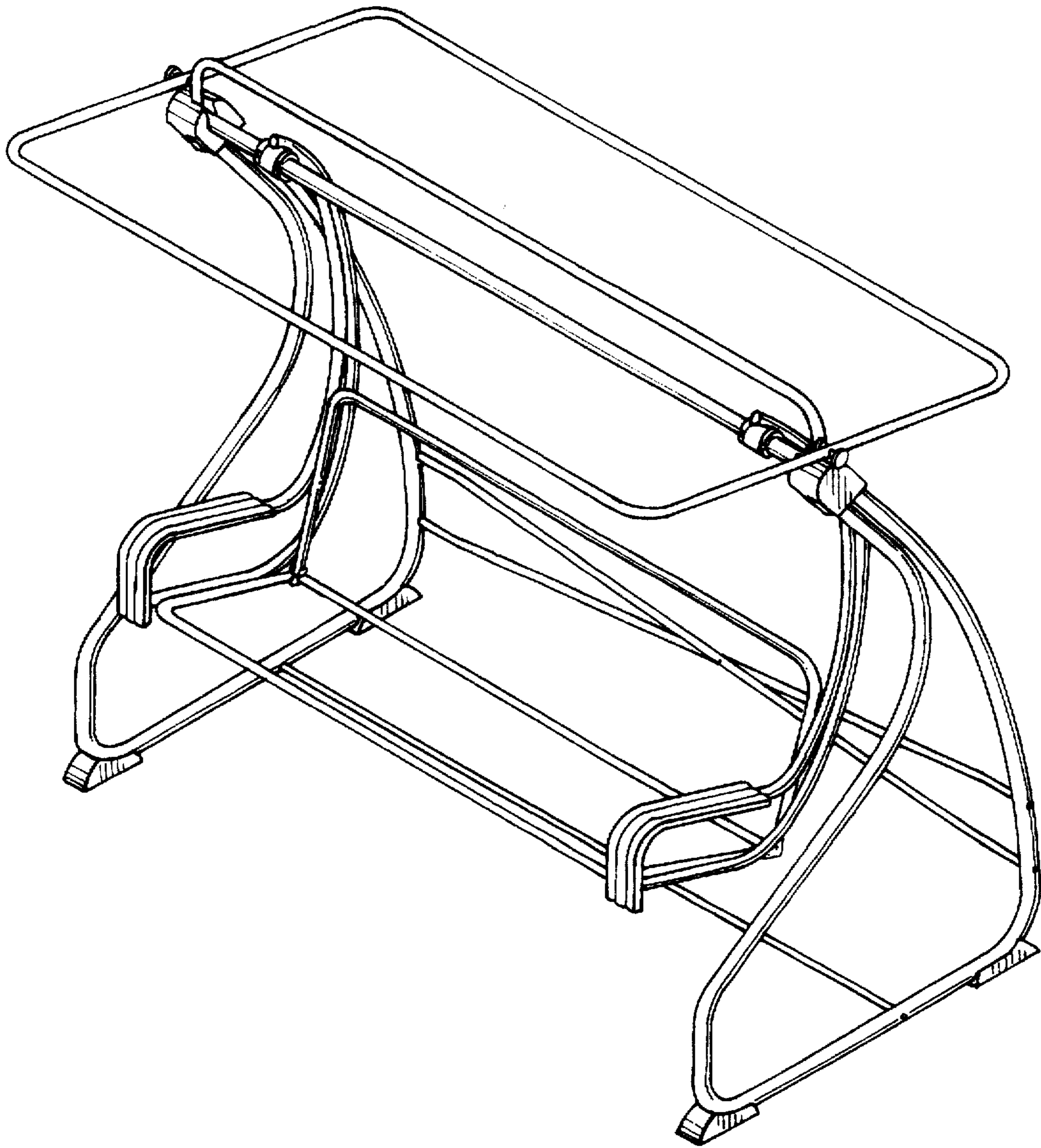


FIG.1

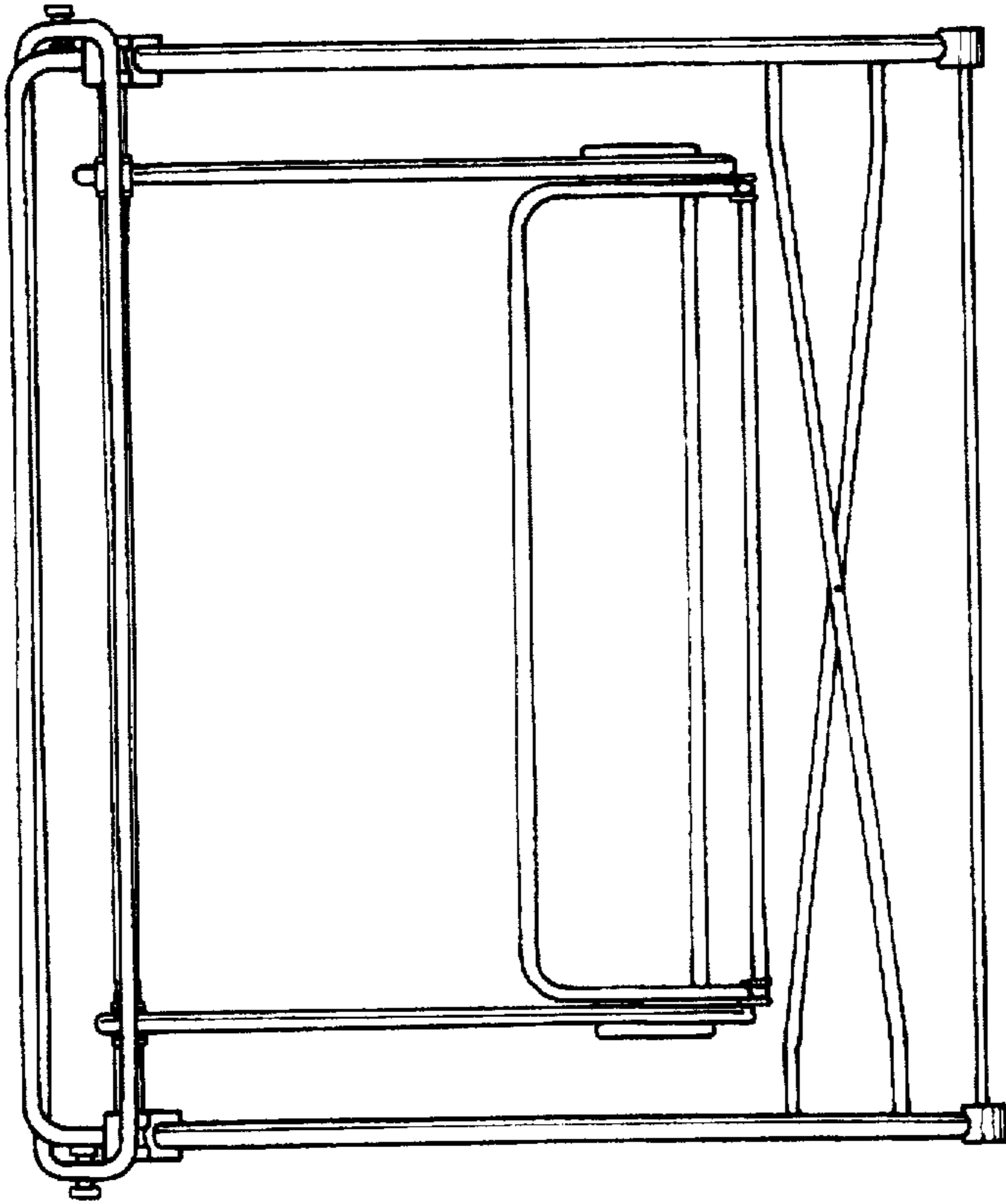


FIG. 3

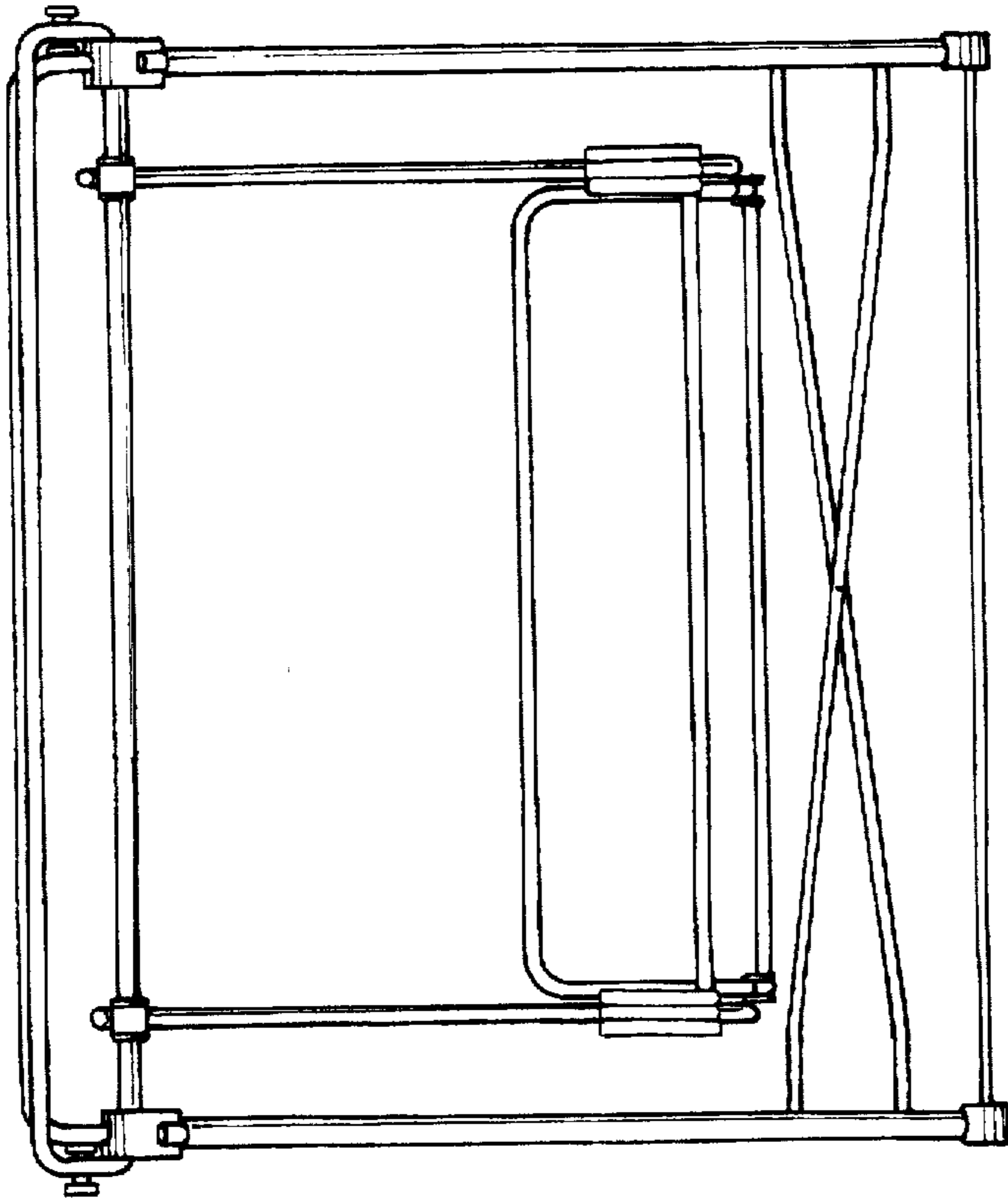


FIG. 2

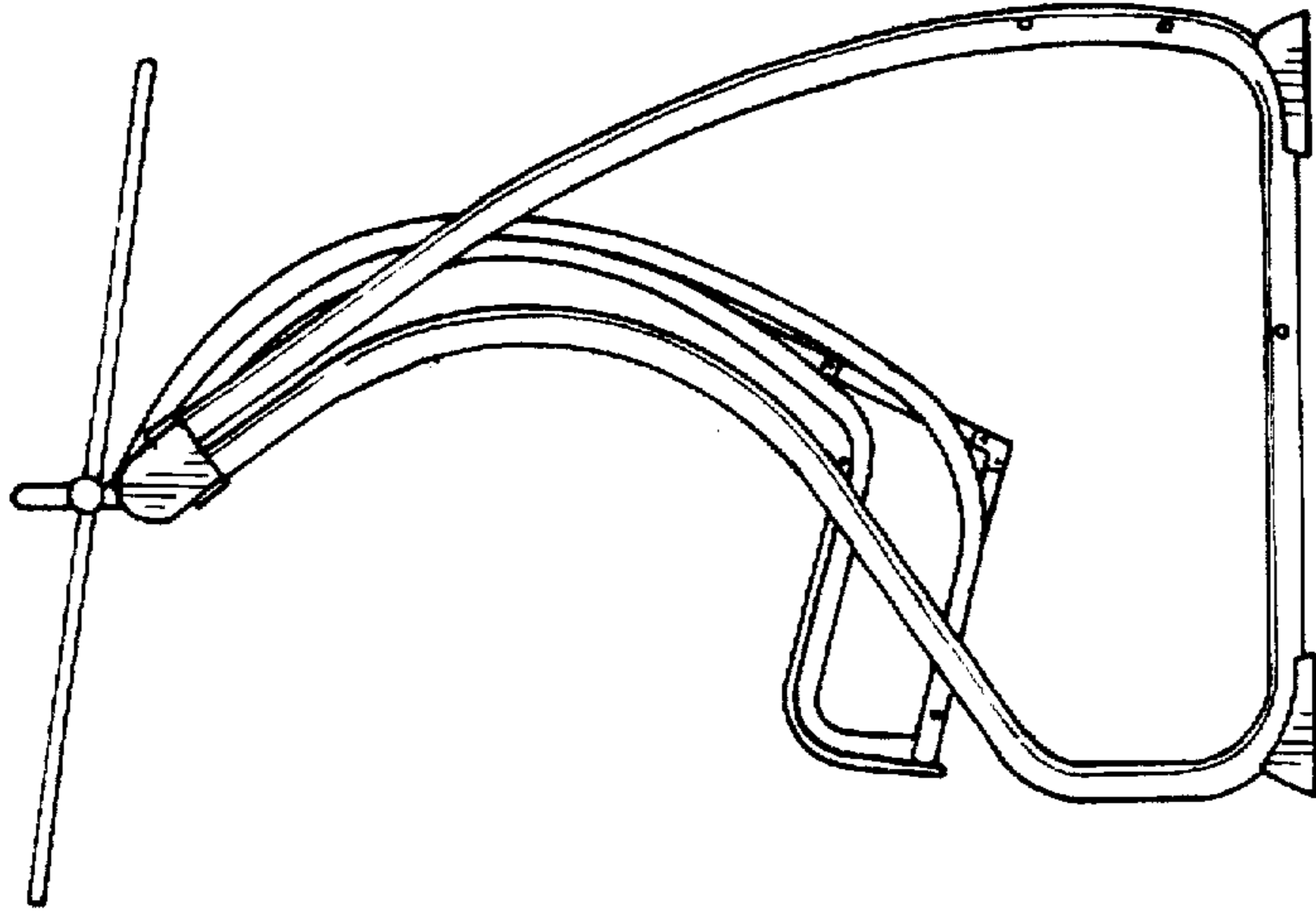


FIG. 5

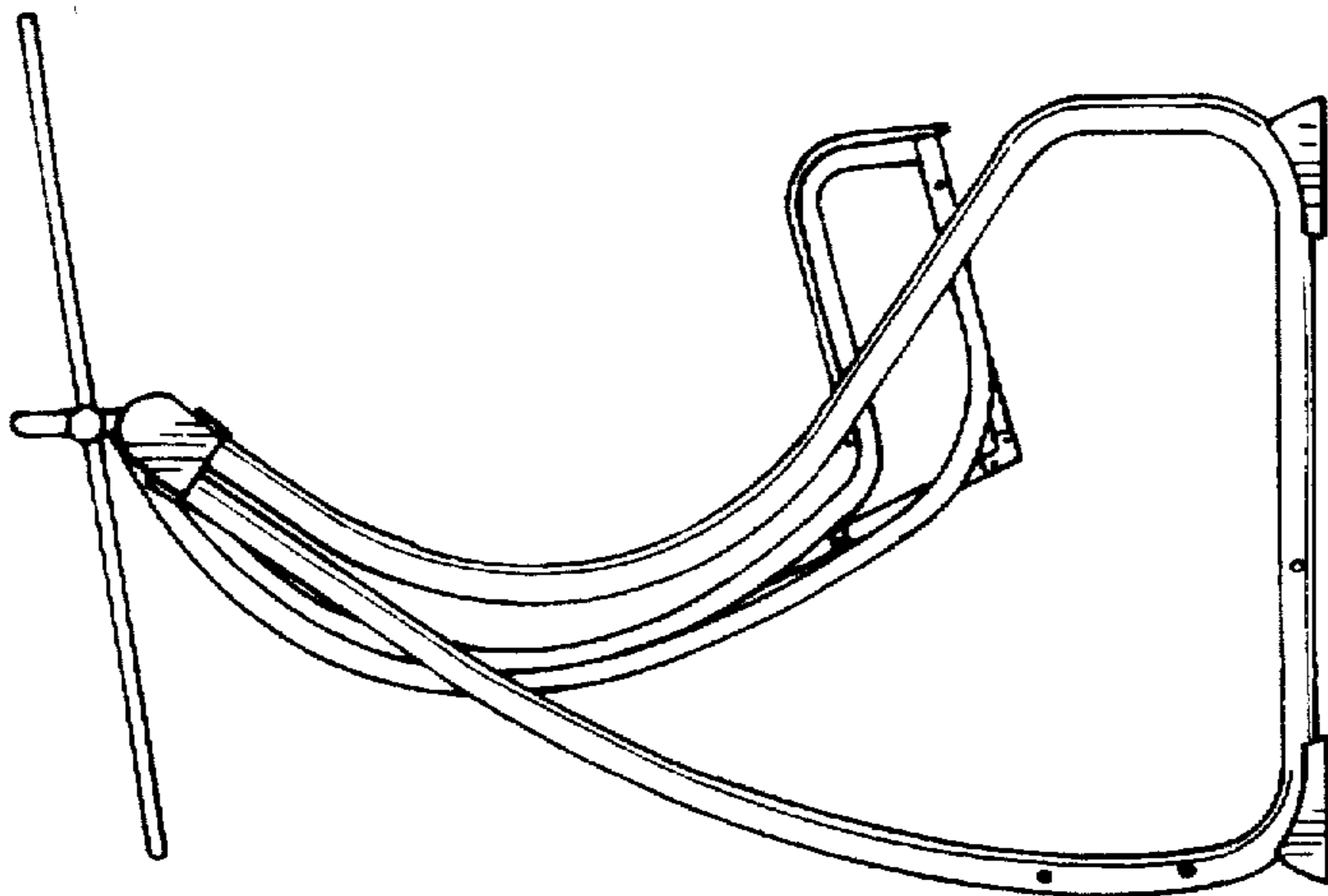


FIG. 4

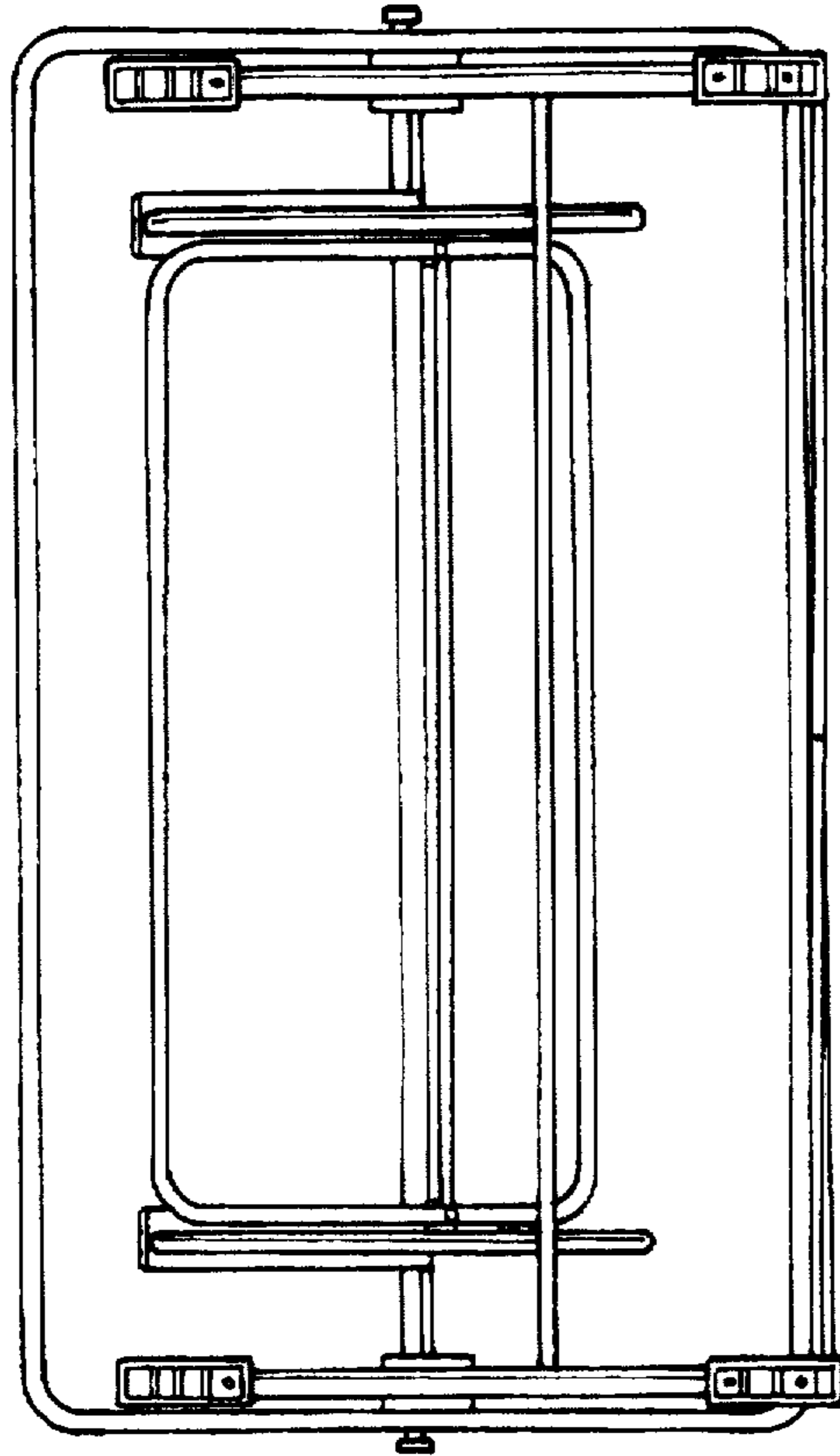


FIG. 7

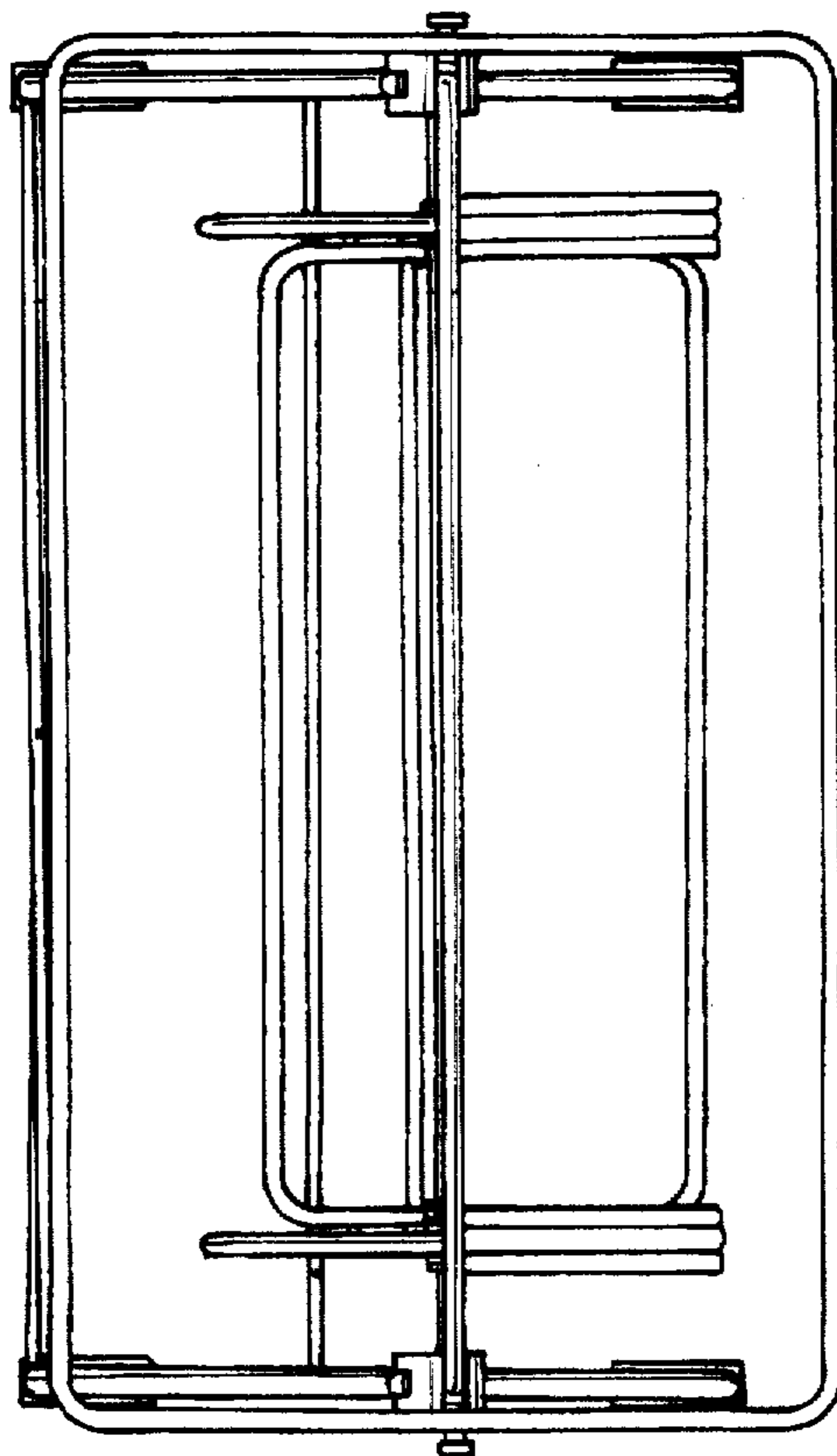


FIG. 6