



US00D396562S

United States Patent [19] Kenney

[11] Patent Number: **Des. 396,562**
[45] Date of Patent: ****Aug. 4, 1998**

[54] **PRINT HOLDER**

[76] Inventor: **Richard E. H. Kenney**, 566 Brooker Ridge, Newmarket, Ontario, Canada, L3X 1V7

[**] Term: **14 Years**

[21] Appl. No.: **68,820**

[22] Filed: **Mar. 28, 1997**

[51] LOC (6) Cl. **06-07**

[52] U.S. Cl. **D6/314; D6/300**

[58] Field of Search D6/300-303, 308-314, D6/470; D20/10, 40; 40/700, 711, 714-716, 721-724, 765, 766, 798

[56] **References Cited**

U.S. PATENT DOCUMENTS

D. 233,874	12/1974	Ashley	D6/301
D. 249,766	10/1978	Munn	.	
D. 263,319	3/1982	Shuman	.	
D. 263,964	4/1982	Butman	.	
D. 313,050	12/1990	Burgess	.	
D. 325,048	3/1992	Penner	.	
D. 352,176	11/1994	McMillan	.	
D. 370,355	6/1996	Kenney	.	
D. 380,235	6/1997	Gruneisen, III	D6/314
568,168	1/1945	Pougher	.	
2,297,285	3/1942	Bledsoe	.	
2,409,814	12/1946	Vargish	.	
2,434,860	7/1948	Oxley	.	
2,807,369	1/1948	Stark	.	
3,086,658	4/1963	Palmer	.	
3,452,463	7/1969	Chaput	.	
3,820,262	6/1974	Dewsnap	.	
3,836,419	9/1974	Hamberger	.	
3,956,837	5/1976	Itano	.	

4,165,572	8/1979	Sussman	.
4,215,497	8/1980	Levy	.
4,229,892	10/1980	Hueter et al.	.
4,271,618	6/1981	Lyman	.
4,384,416	5/1983	Kanzelberger	.
4,442,617	4/1984	Frye et al.	.
4,496,127	1/1985	Nelson	.
4,594,802	6/1986	Field	.
5,222,315	6/1993	Lovison	.

FOREIGN PATENT DOCUMENTS

8717449 4/1989 Germany .

OTHER PUBLICATIONS

Instachange Displays Limited, "Plastic Menu & Sign Holders, Table Tents". Instachange Display Buyer's Guide & Price List, 1992, p. 18.
Burnes of Boston-1983, #8181 Frame left rear.

Primary Examiner—Janice E. Seeger
Attorney, Agent, or Firm—Dinesh Agrawal

[57] **CLAIM**

The ornamental design for a print holder, as shown and described.

DESCRIPTION

FIG. 1 is a perspective view of a print holder of the present invention;
FIG. 2 is a top plan view thereof;
FIG. 3 is a bottom plan view thereof;
FIG. 4 is a front elevational view thereof, the rear elevational view being a mirror image thereof; and,
FIG. 5 is a right side view thereof, the left side view being a mirror image thereof.

1 Claim, 3 Drawing Sheets

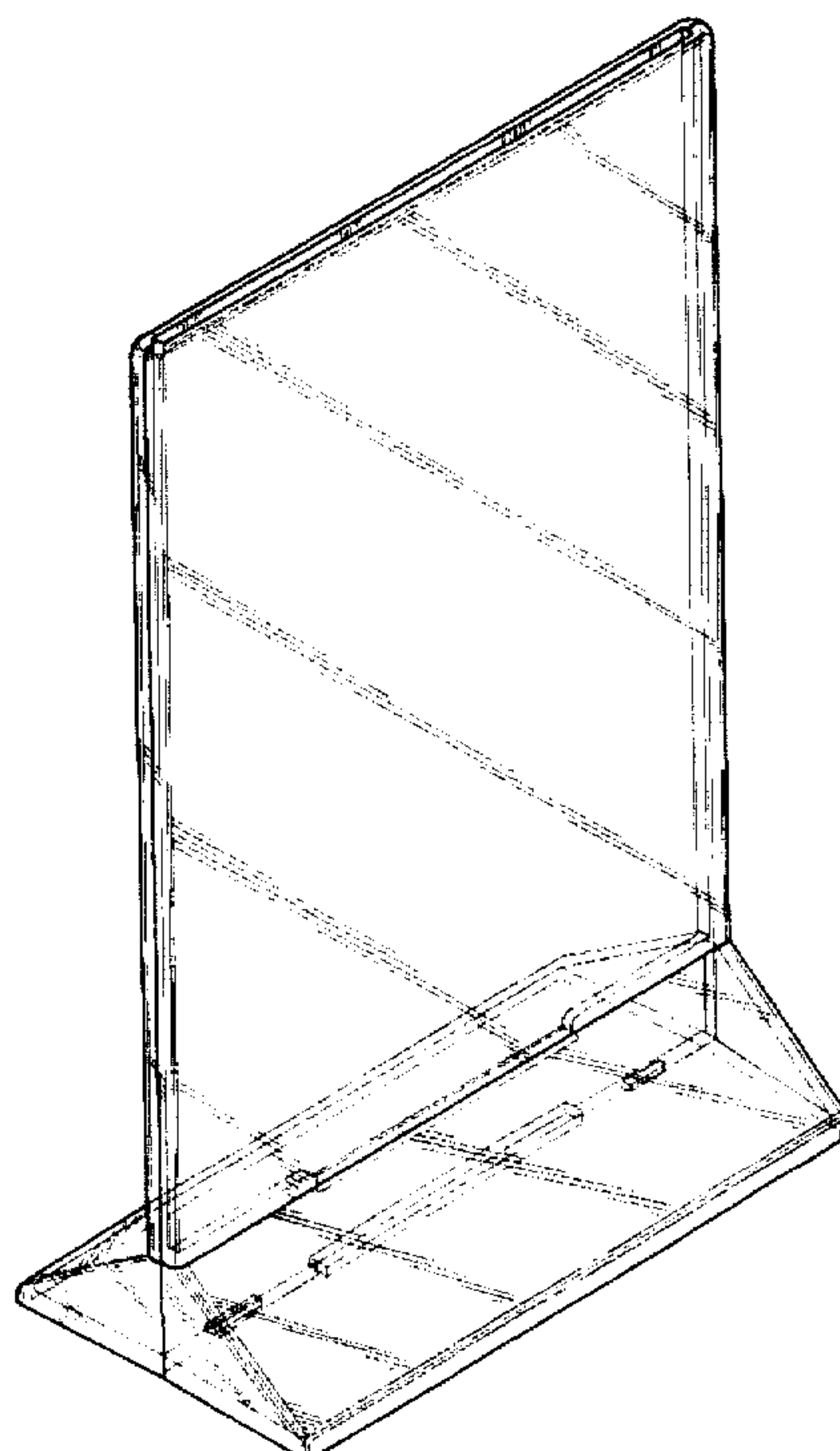
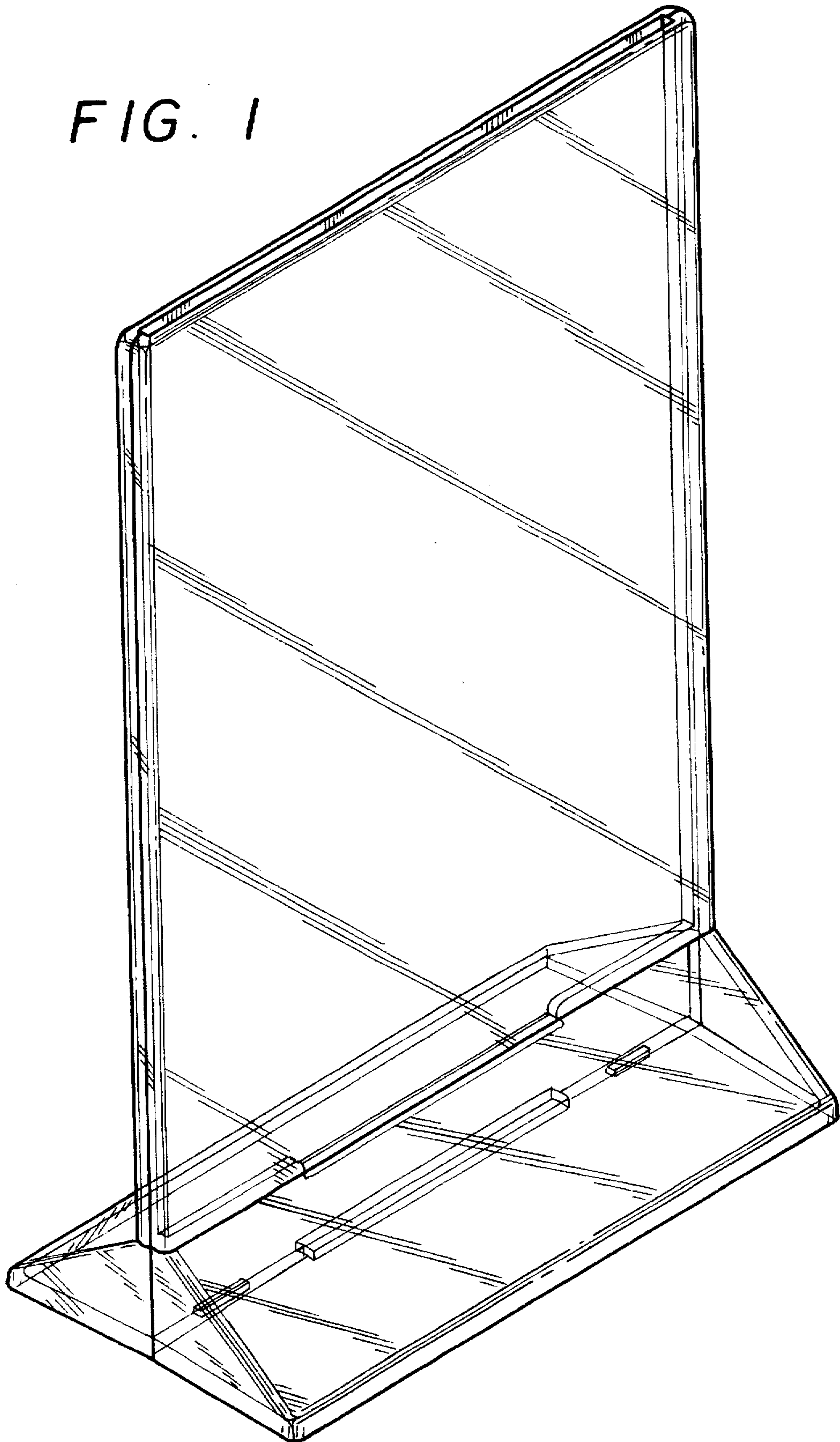


FIG. 1



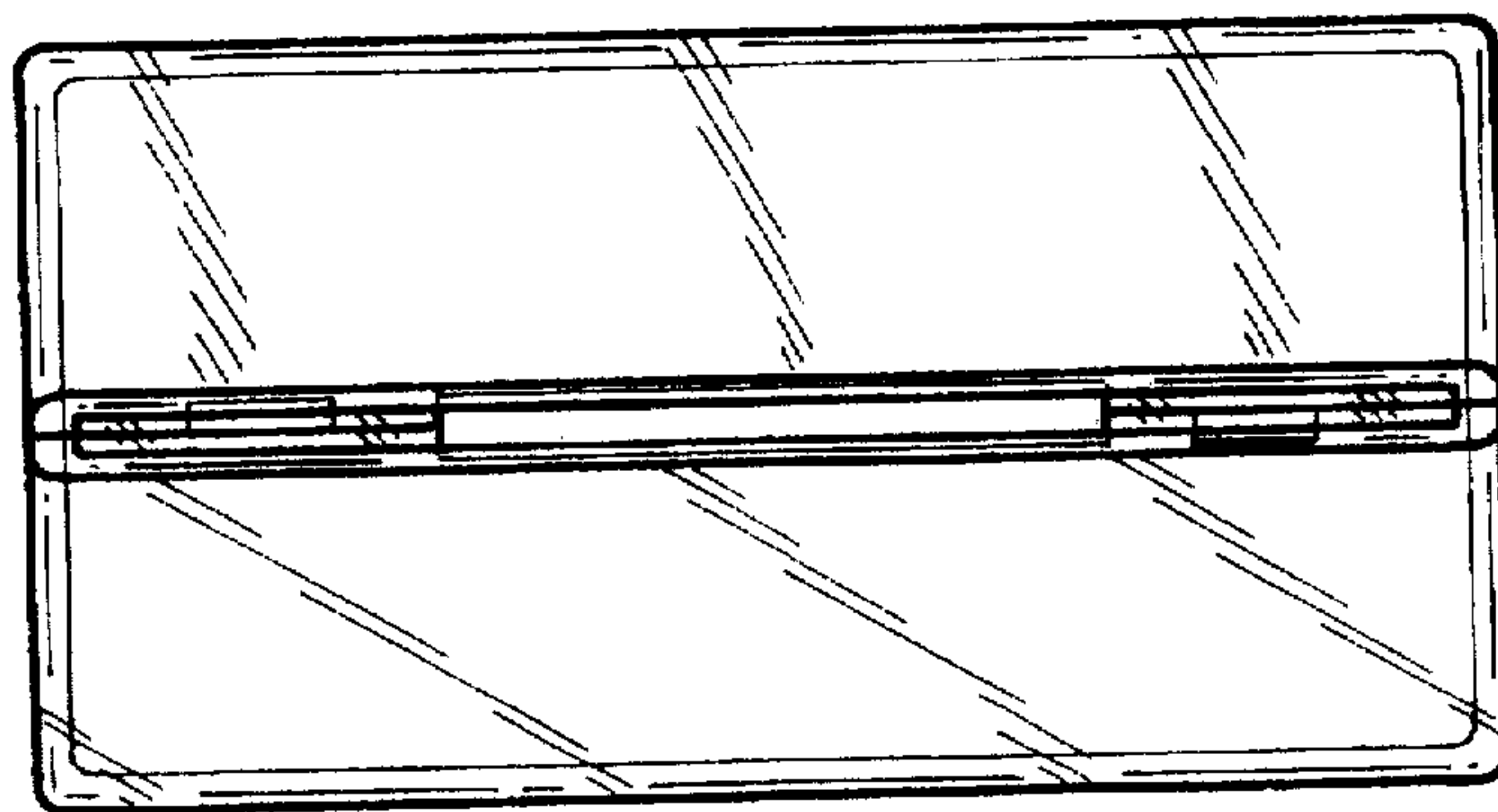


FIG. 2

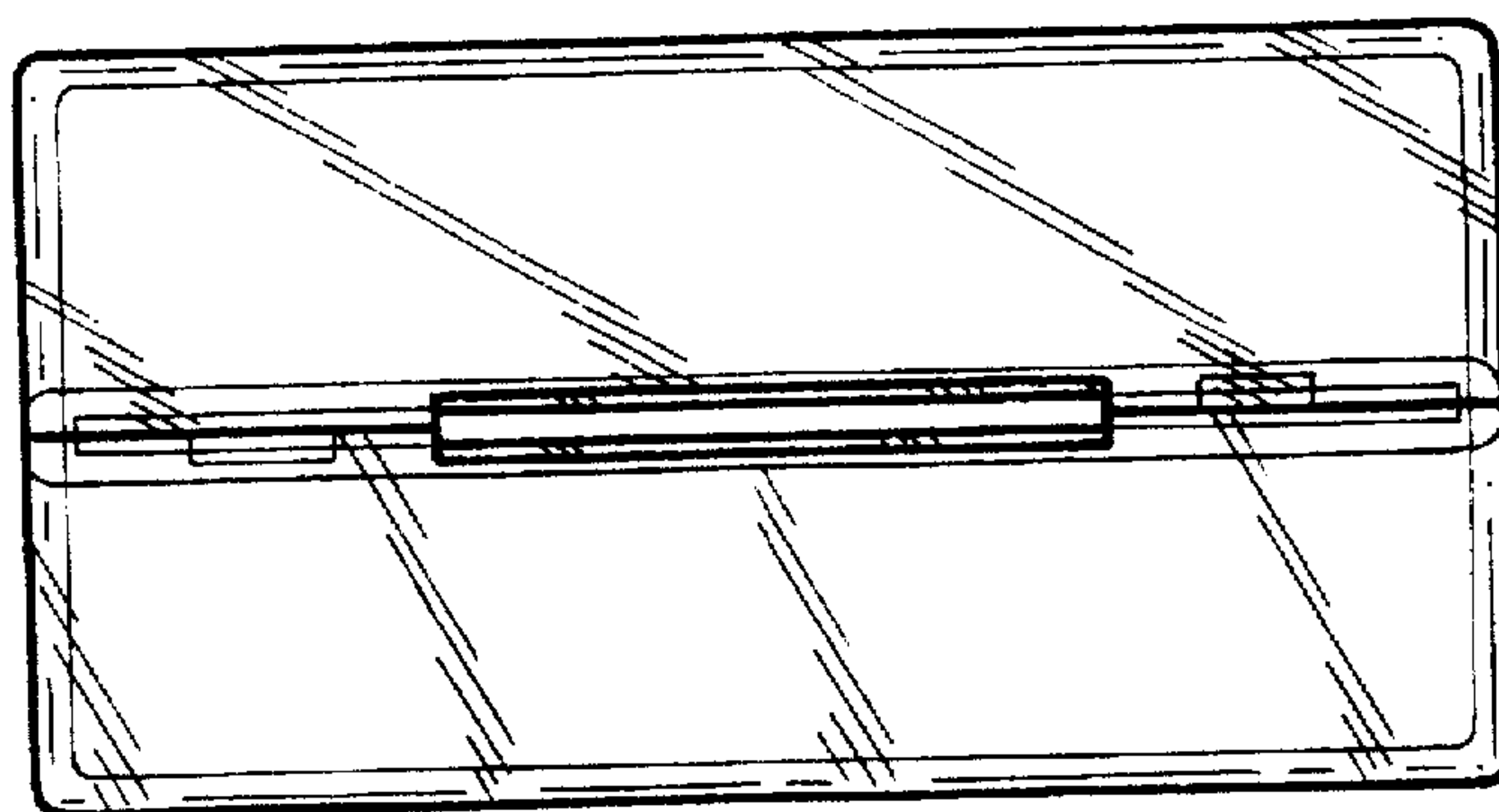


FIG. 3

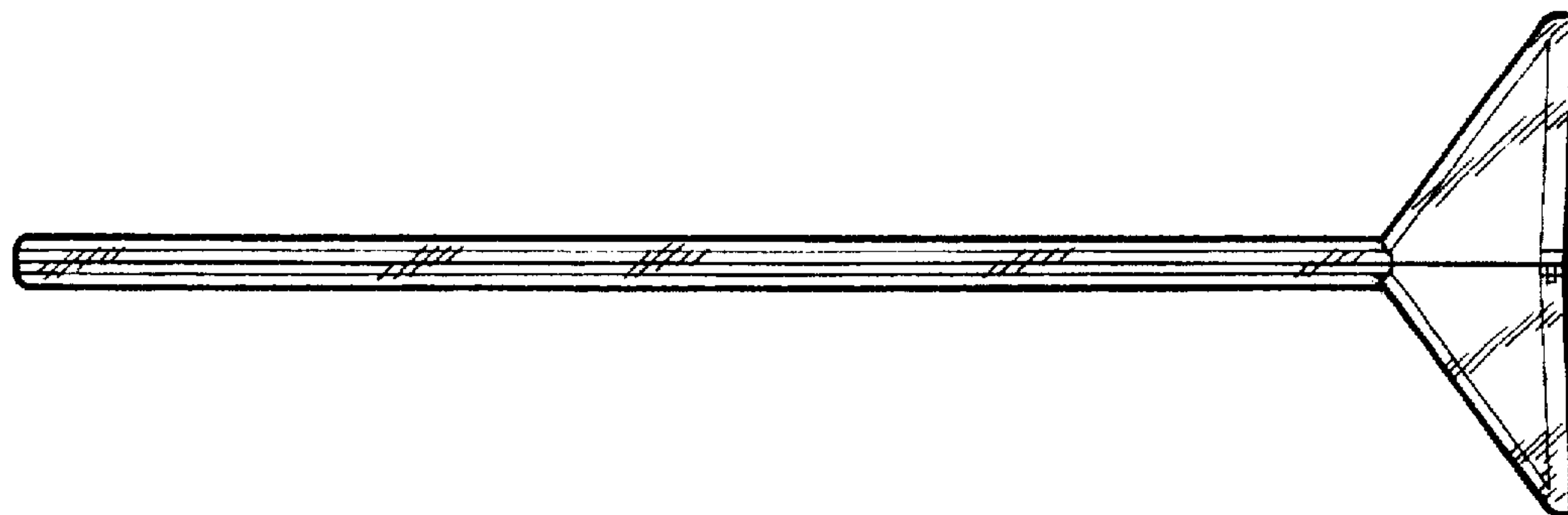


FIG. 5

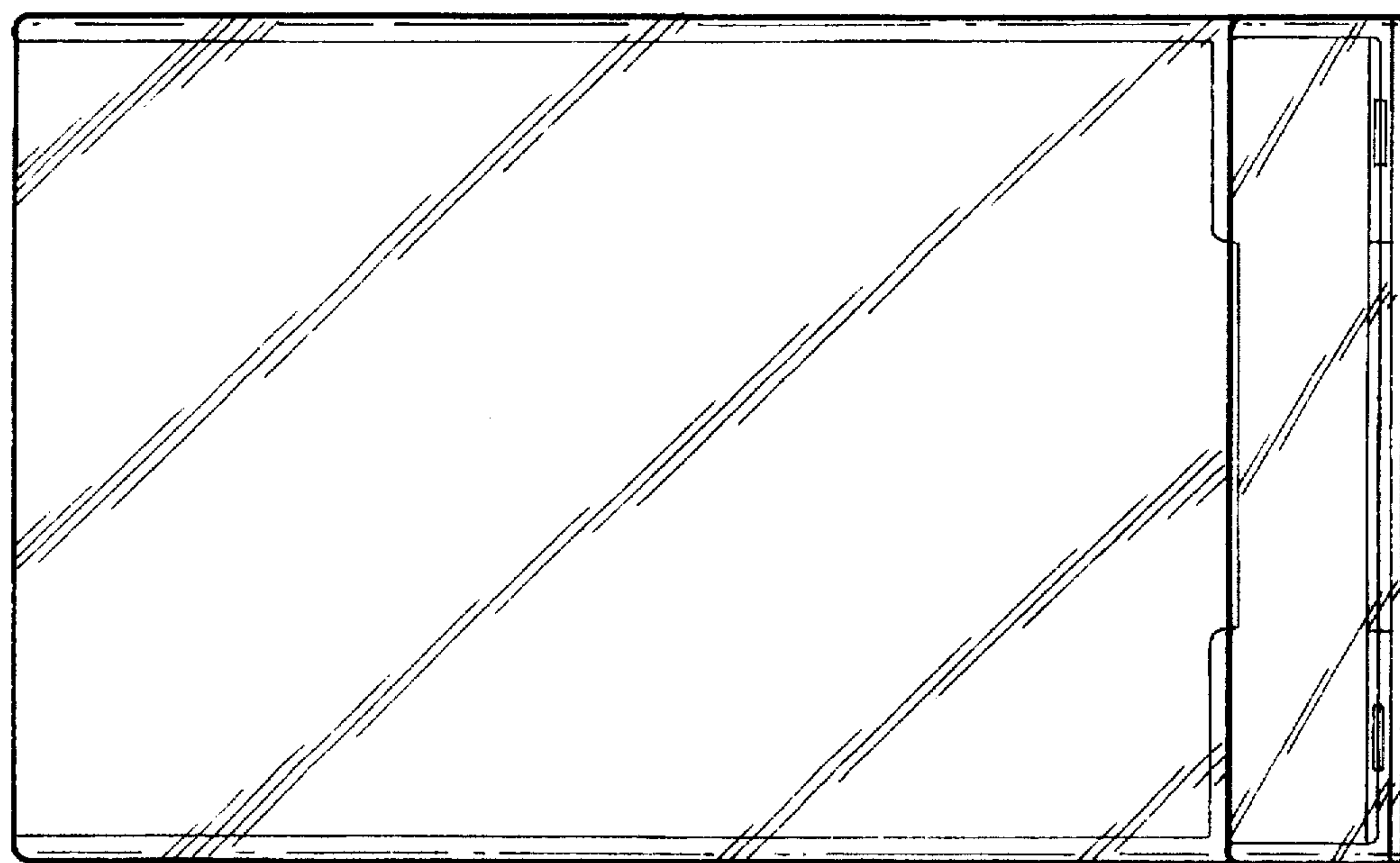


FIG. 4