

US00D396531S

# United States Patent [19]

[11] Patent Number: Des. 396,531

Lieu

[45] Date of Patent: \*\*Jul. 28, 1998

## [54] COMBINED CEILING FAN AND LIGHT FIXTURE

## OTHER PUBLICATIONS

[75] Inventor: Cheng-Ta Lieu, Taichung Hsien, Taiwan

Casablanca Pan Co. Adv. Brochure, p. 27, Ceiling Fan A.

[73] Assignee: Pan Air Electric Co., Ltd., Taichung Hsien, Taiwan

Primary Examiner—Lisa Lichtenstein

Attorney, Agent, or Firm—Morton J. Rosenberg; David I. Klein; Jun Y. Lee

[\*\*] Term: 14 Years

## [57] CLAIM

The ornamental design for a combined ceiling fan and light fixture, as shown.

[21] Appl. No.: 77,771

## DESCRIPTION

[22] Filed: Oct. 9, 1997

[51] LOC (6) Cl. .... 23-04

[52] U.S. Cl. .... D23/377; D23/379; D23/385

[58] Field of Search ..... D23/377, 379, D23/385, 411; 416/5; 392/364; 362/96; D26/72, 51, 59, 81-86, 88

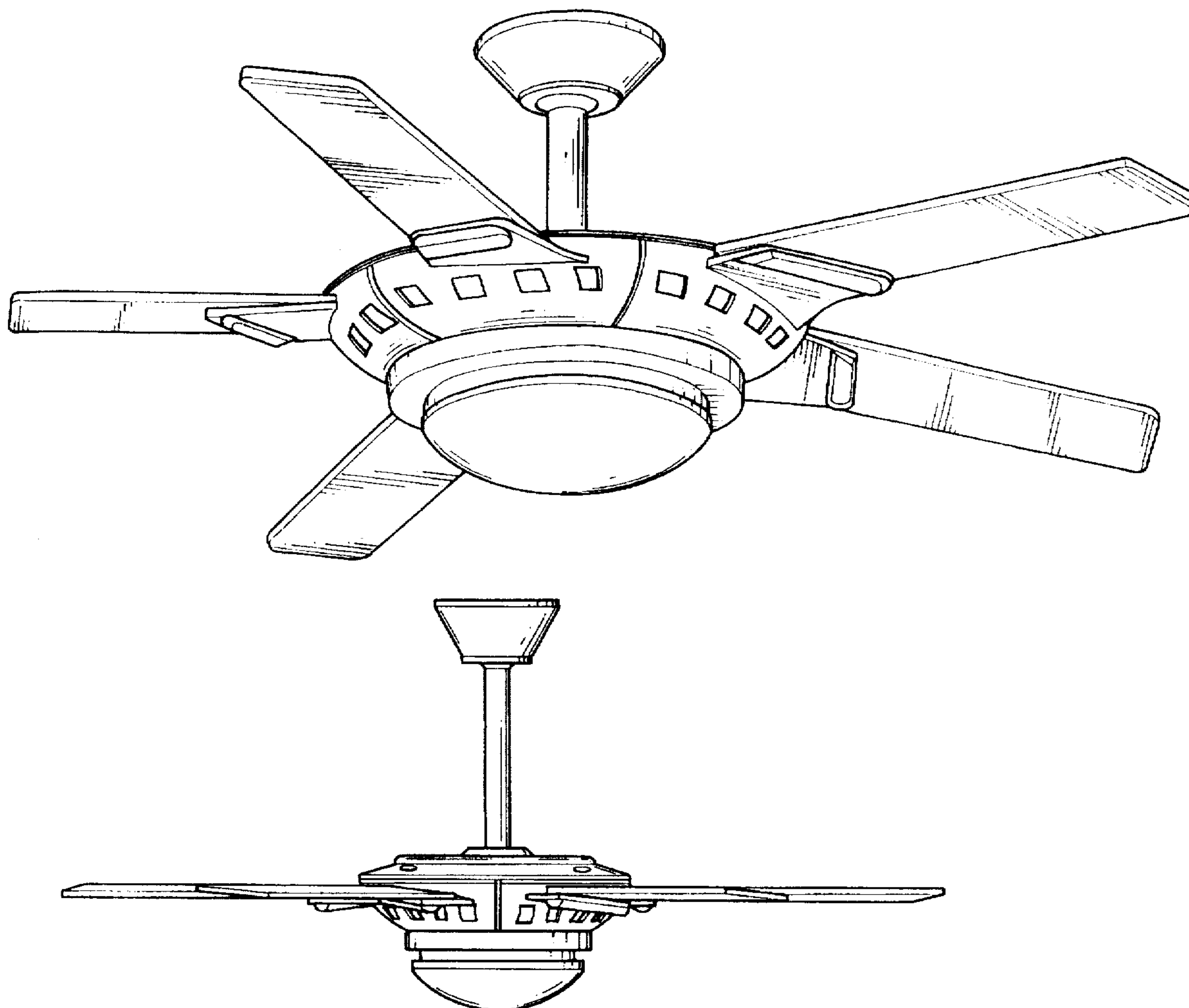
FIG. 1 is a front-right-bottom perspective view of a combined ceiling fan and light fixture, showing my new design; FIG. 2 is a front elevational view thereof, on a reduced scale; FIG. 3 is a rear elevational view thereof, on a reduced scale; FIG. 4 is a left side elevational view thereof, on a reduced scale; FIG. 5 is a right side elevational view thereof, on a reduced scale; FIG. 6 is a top plan view thereof, on a reduced scale; and FIG. 7 is a bottom plan view thereof, on a reduced scale.

## [56] References Cited

### U.S. PATENT DOCUMENTS

- D. 323,028 1/1992 Holbrook ..... D23/377
- D. 372,774 8/1996 Holbrook ..... D23/379

1 Claim, 7 Drawing Sheets



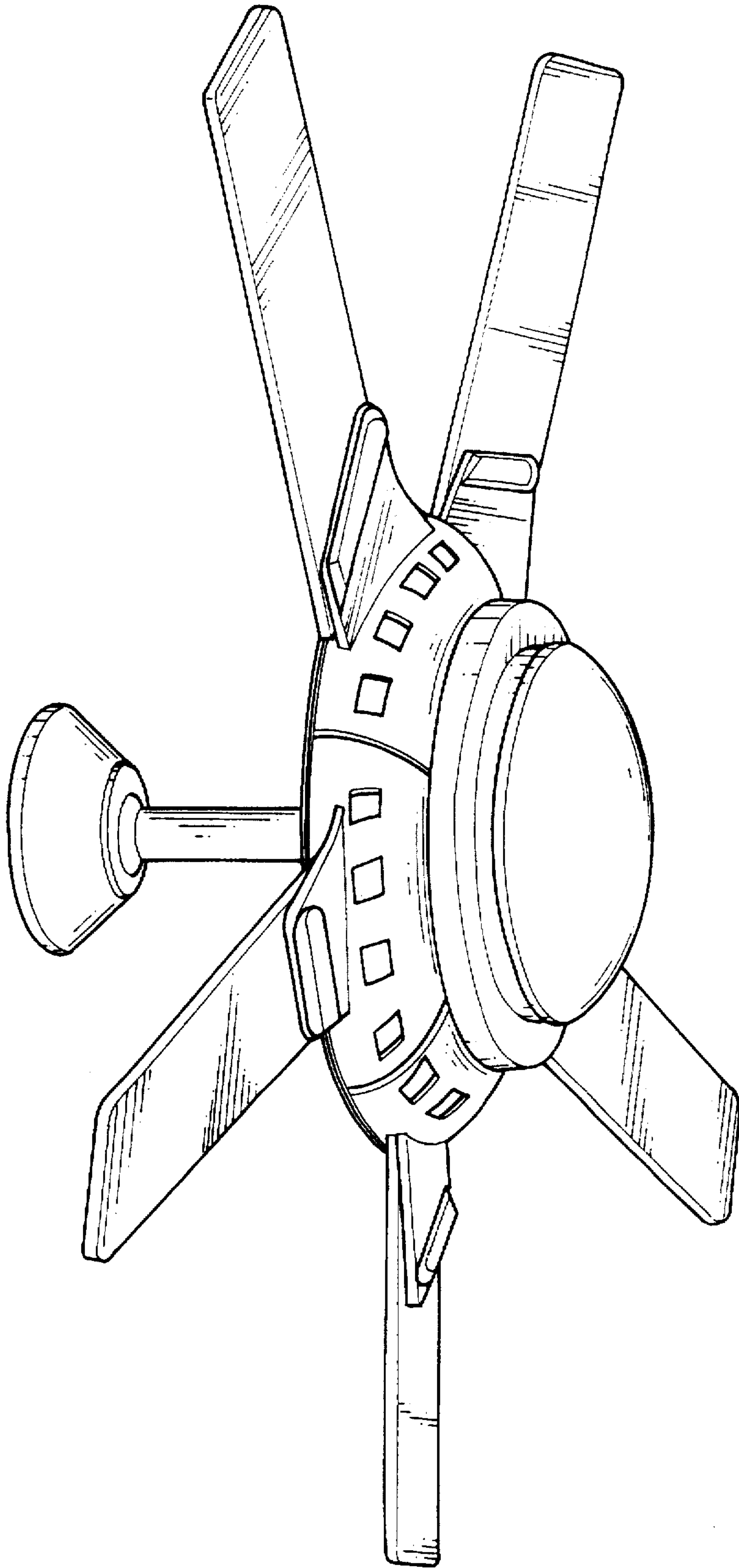


FIG.1

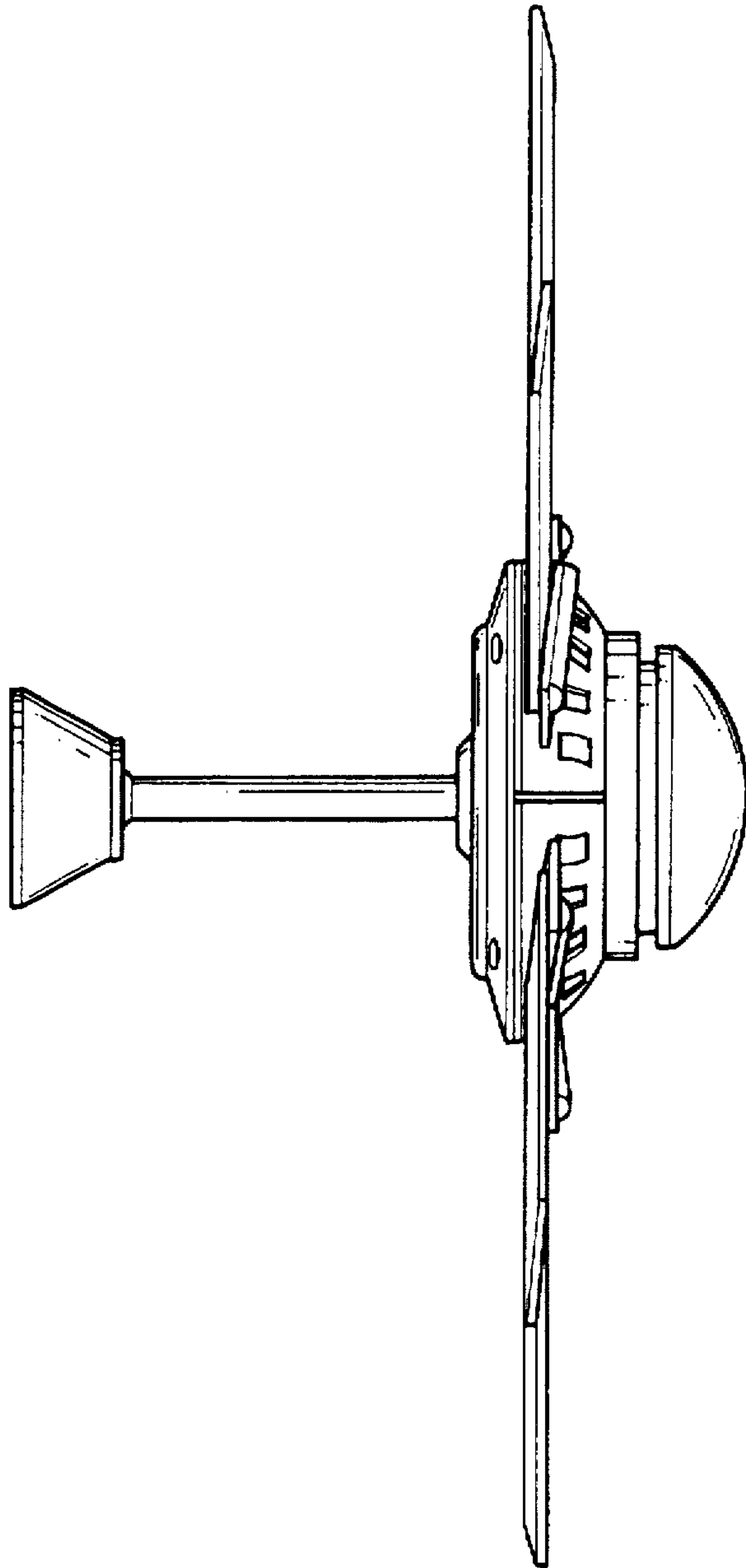


FIG. 2

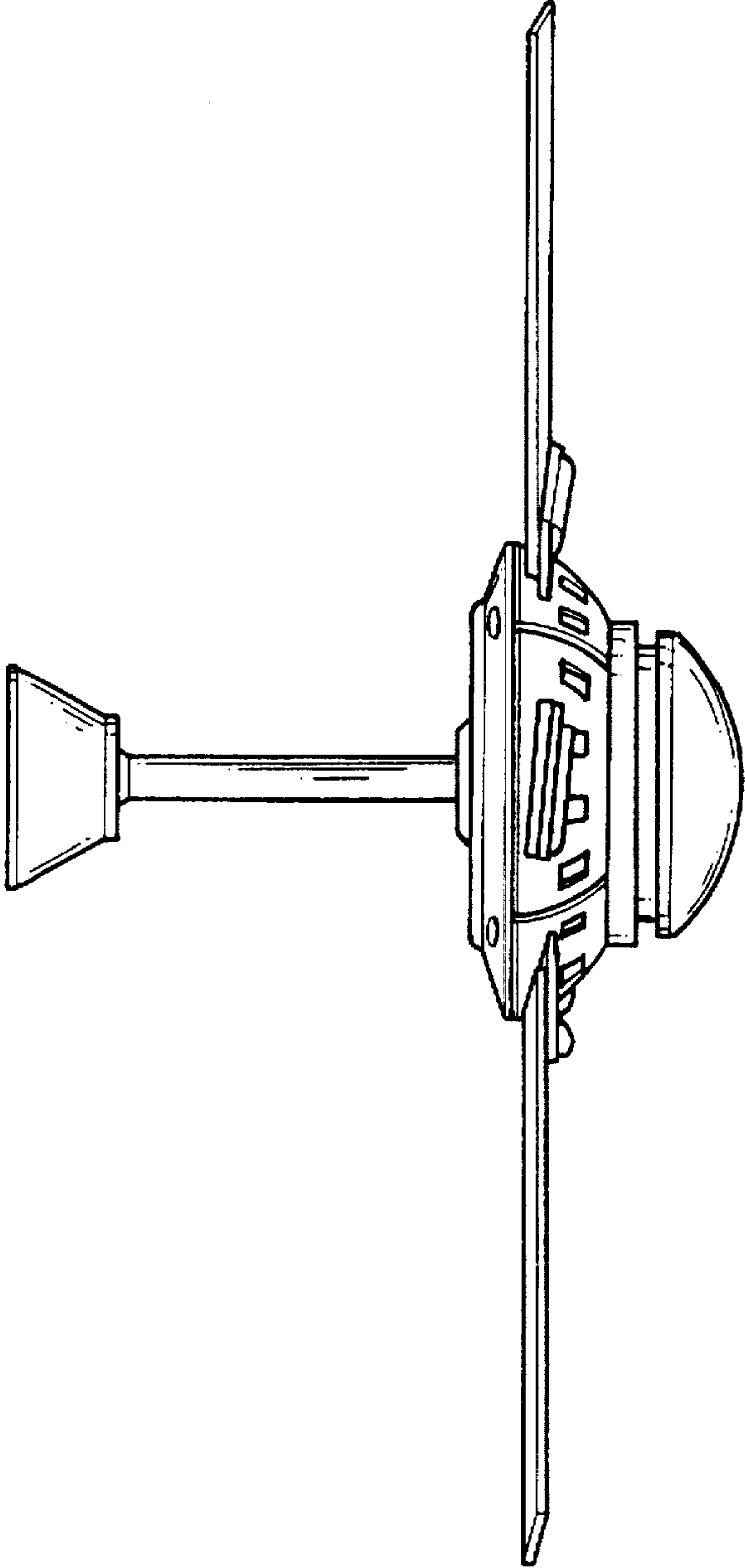


FIG.3

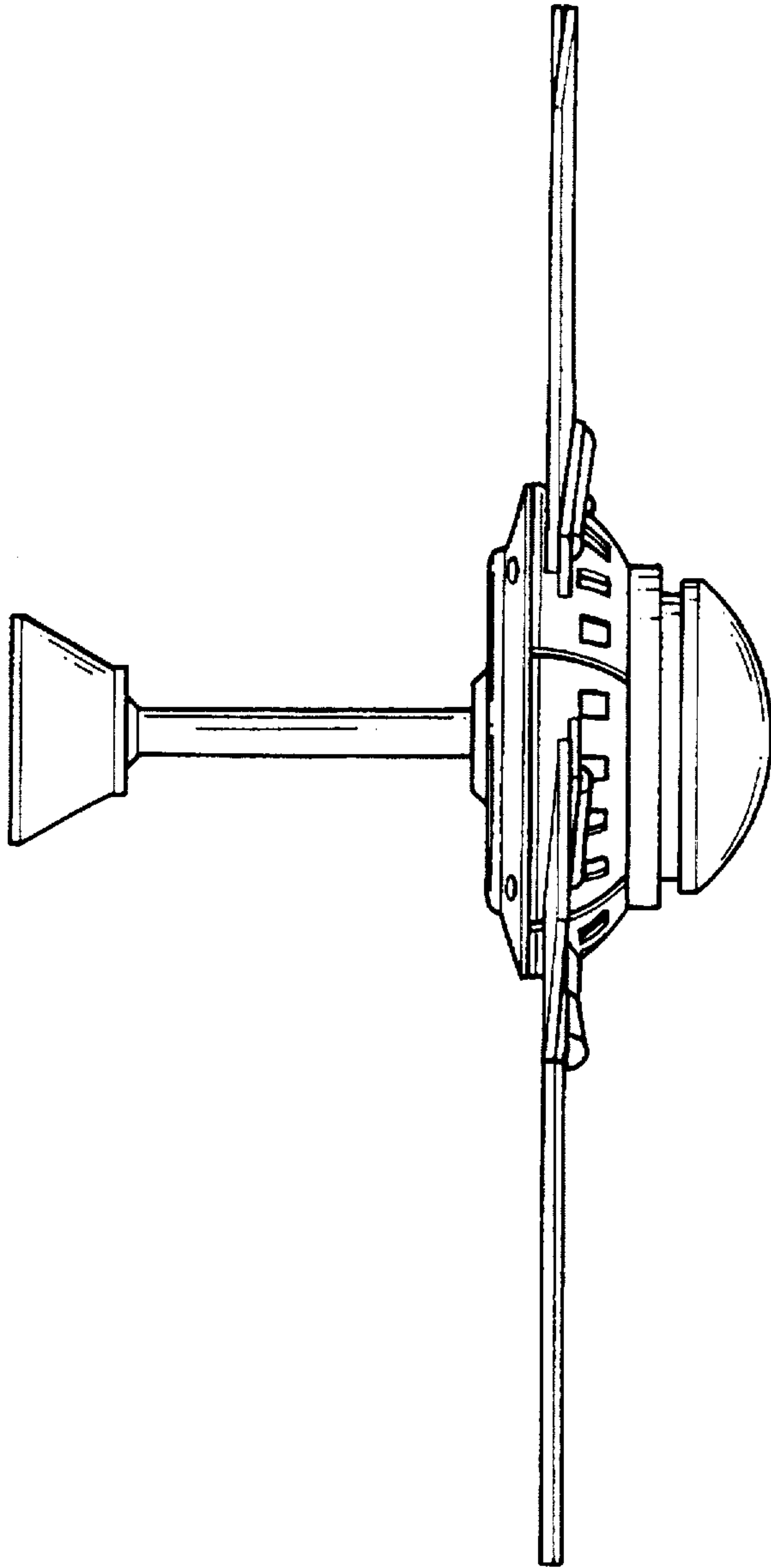


FIG. 4

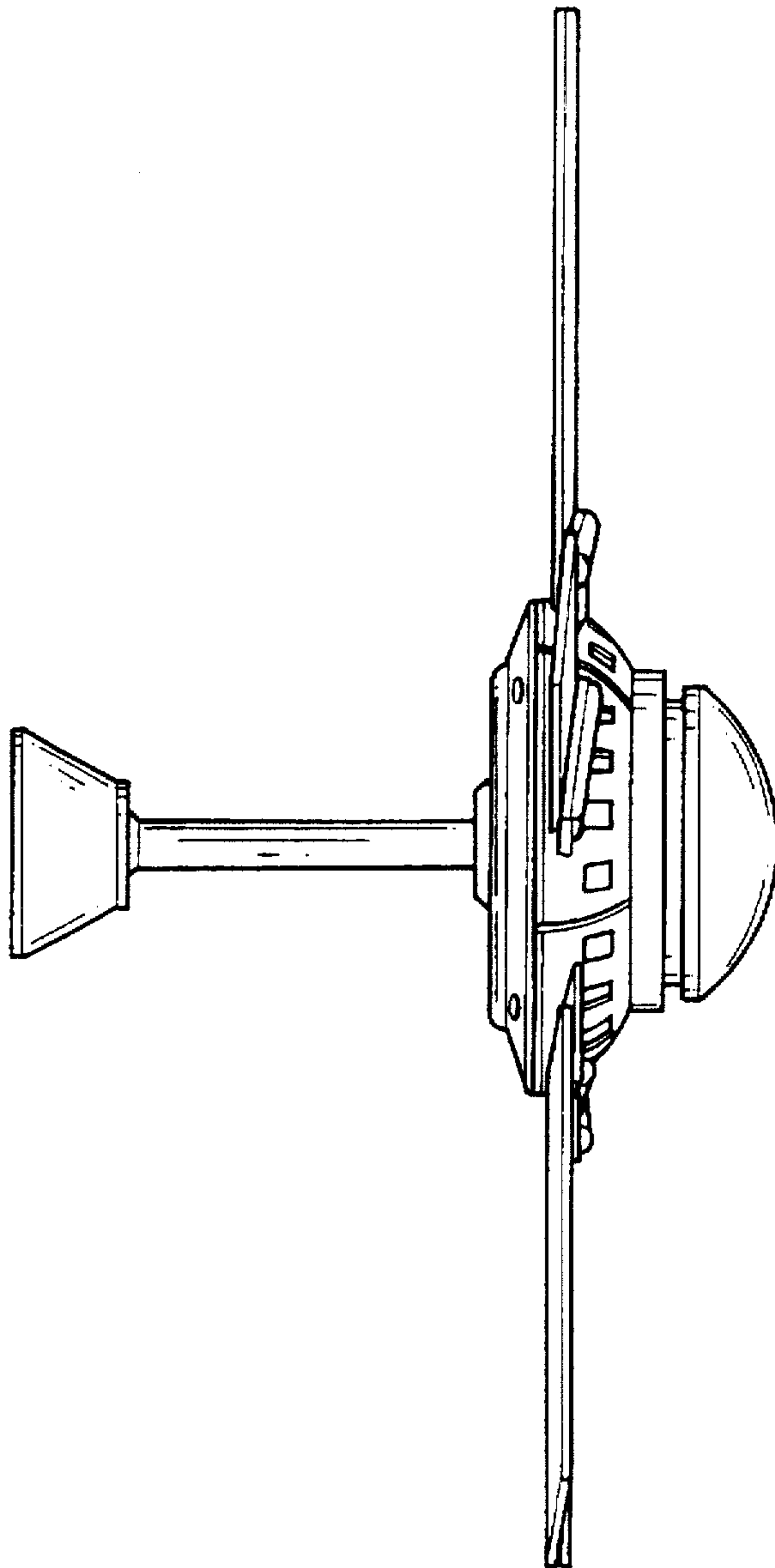


FIG. 5

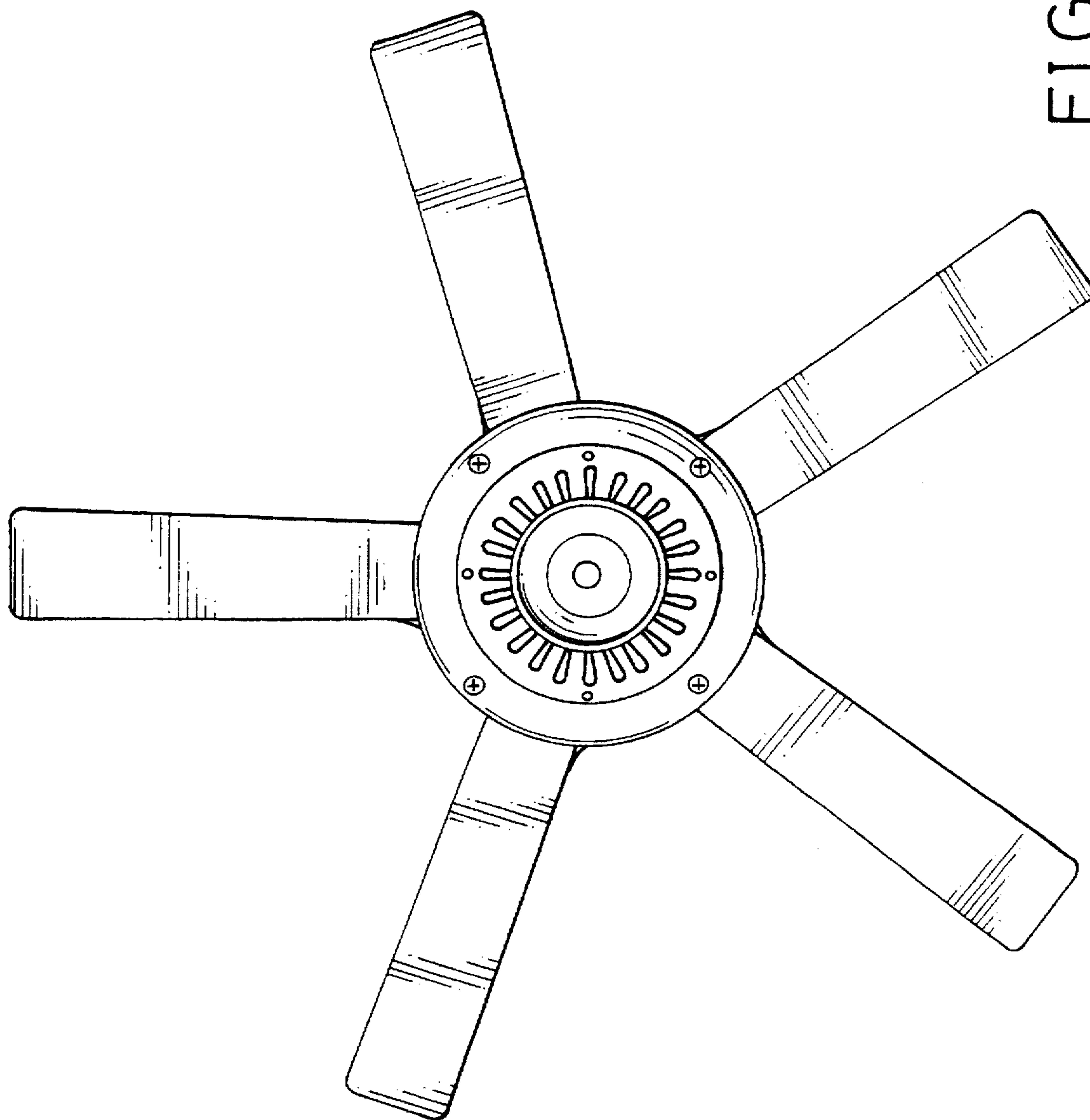


FIG. 6



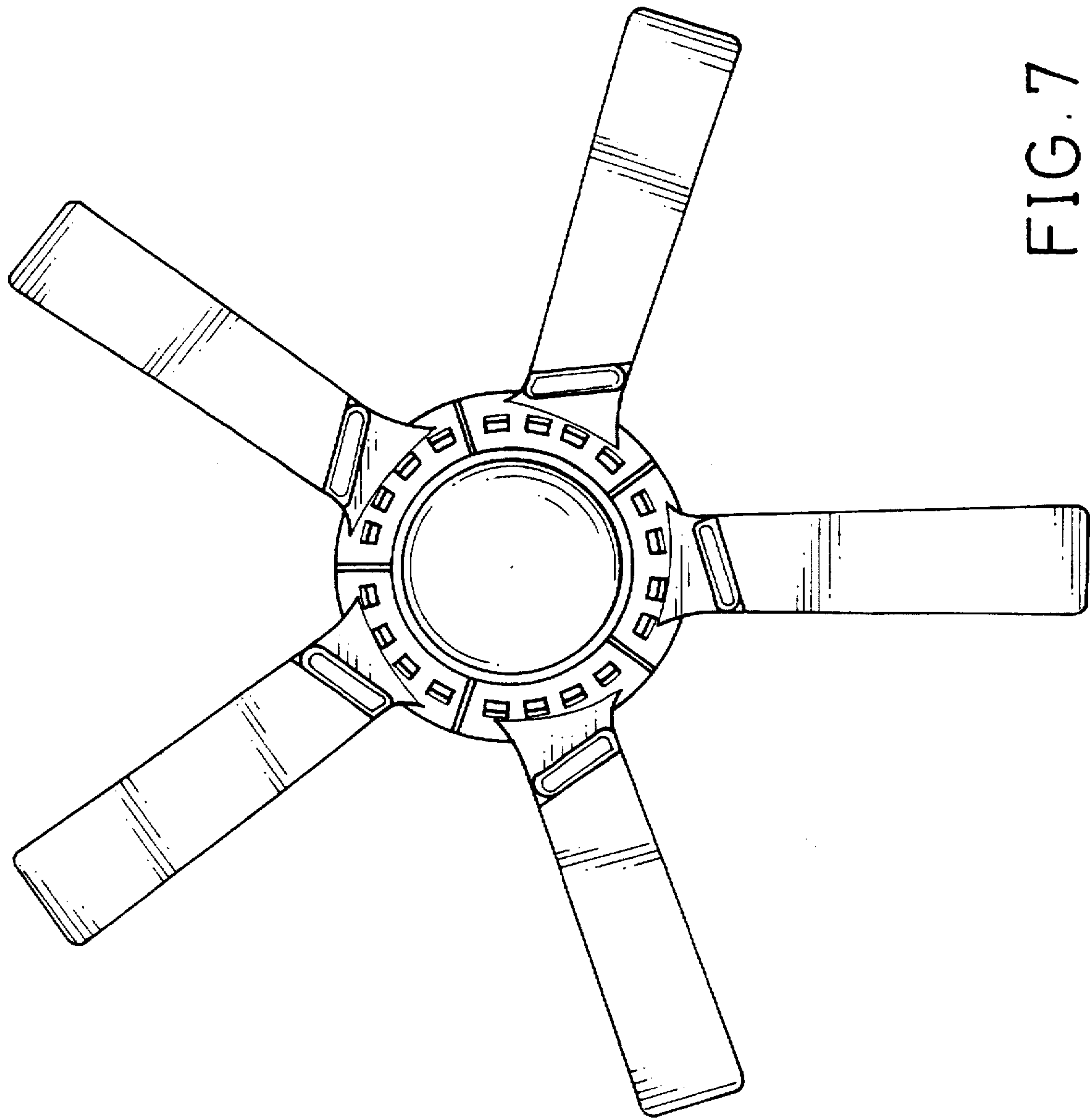


FIG. 7