



US00D396530S

United States Patent [19]
Tai

[11] **Patent Number:** **Des. 396,530**
[45] **Date of Patent:** ****Jul. 28, 1998**

[54] **CEILING FAN**

D. 384,737 10/1997 Gee, II D23/377
D. 386,257 11/1997 Liu D23/377

[76] **Inventor:** **Jen-Lung David Tai**, 5616 W. Aster Dr., Glendale, Ariz. 85304

Primary Examiner—Lisa Lichtenstein
Attorney, Agent, or Firm—Parsons & Goltry; Michael W. Goltry; Robert A. Parsons

[**] **Term:** **14 Years**

[21] **Appl. No.:** **77,296**

[57] **CLAIM**

[22] **Filed:** **Oct. 1, 1997**

The ornamental design for a ceiling fan, as shown.

[51] **LOC (6) Cl.** **23-04**

DESCRIPTION

[52] **U.S. Cl.** **D23/377; D23/379; D23/385**

FIG. 1 is a perspective view of a ceiling fan showing my new design;

[58] **Field of Search** D23/377, 379, D23/385, 411, 413; 416/5; 392/364; 362/96; D26/72, 59, 51, 81-86; D12/214, 317, 327, 328

FIG. 2 is a bottom plan view thereof;

FIG. 3 is a top plan view thereof;

FIG. 4 is a front elevational view thereof;

FIG. 5 is a right side elevational view thereof;

FIG. 6 is a rear elevational view thereof; and,

FIG. 7 is a left side elevational view thereof.

[56] **References Cited**

U.S. PATENT DOCUMENTS

D. 346,858 5/1994 Lee D23/377
D. 382,636 8/1997 Yang D23/377

1 Claim, 3 Drawing Sheets

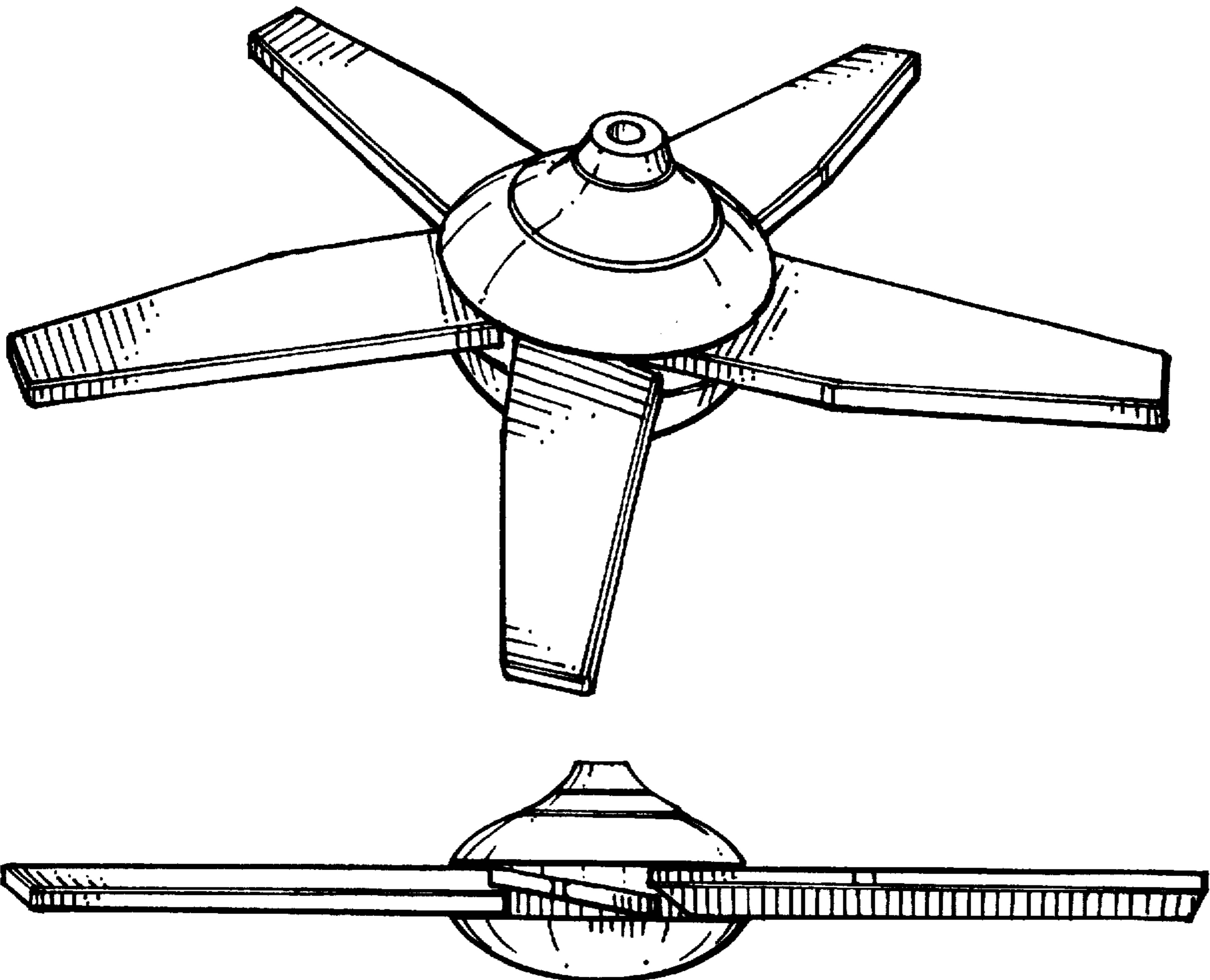


FIG. 1

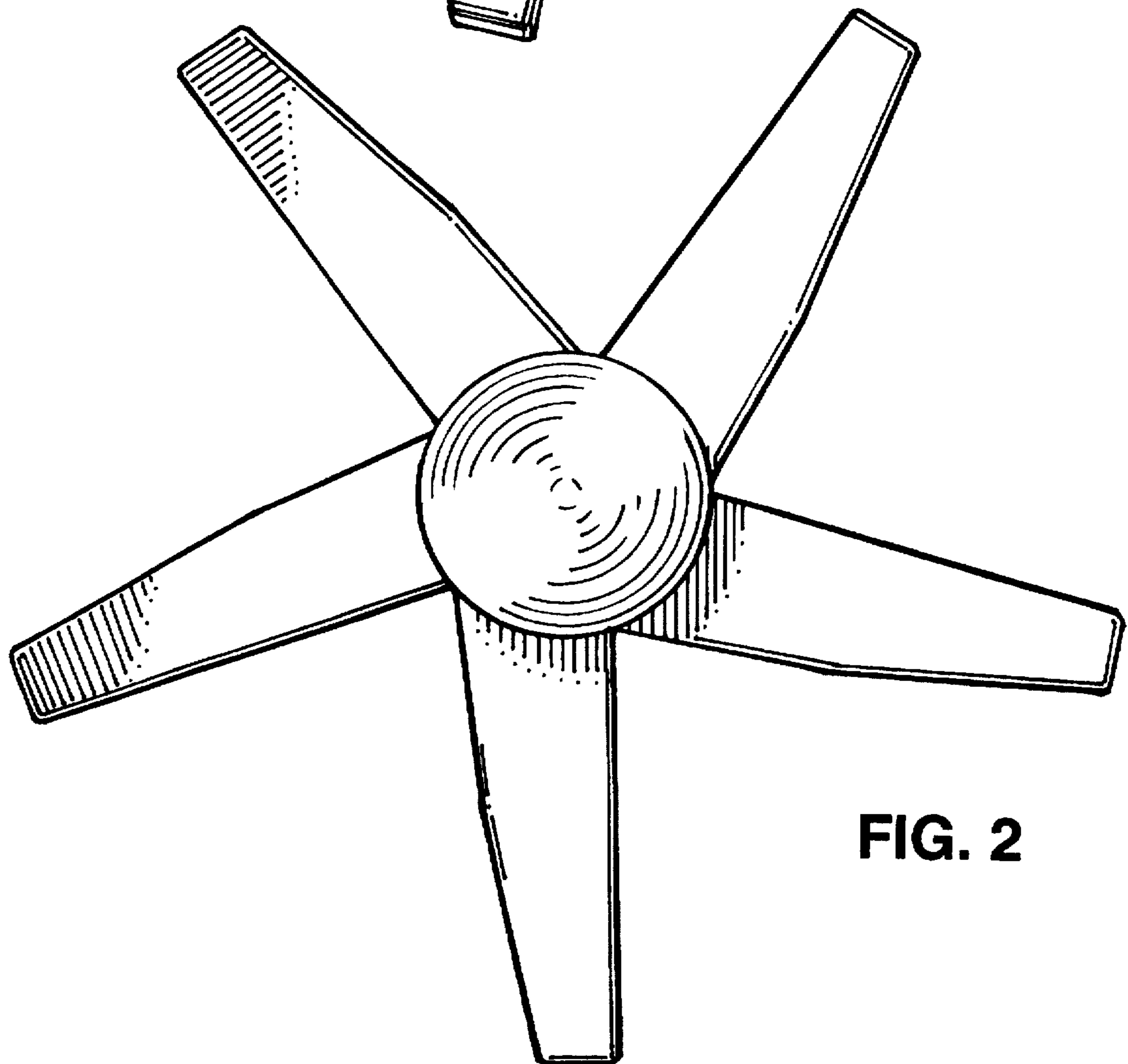
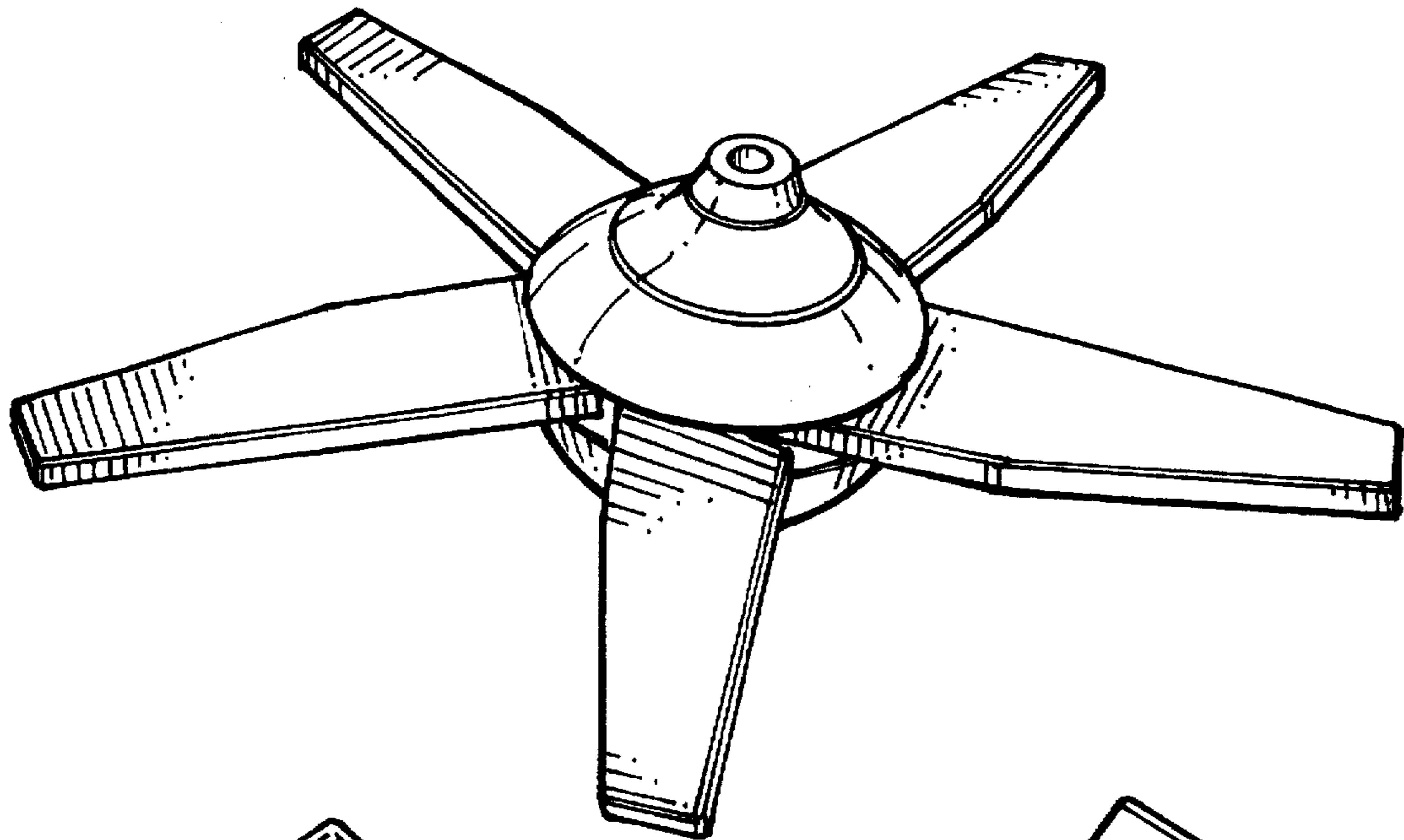


FIG. 2

FIG. 3

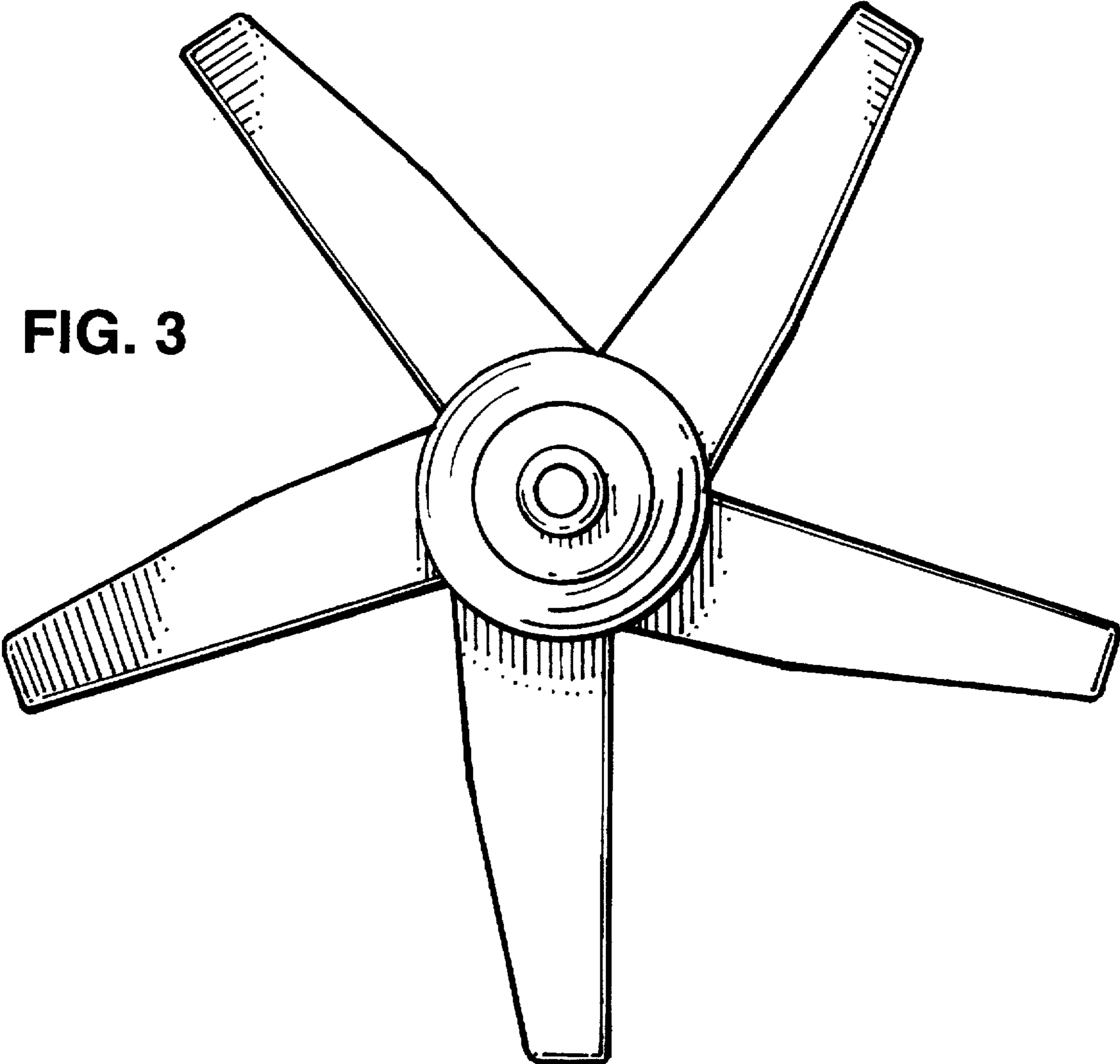


FIG. 4

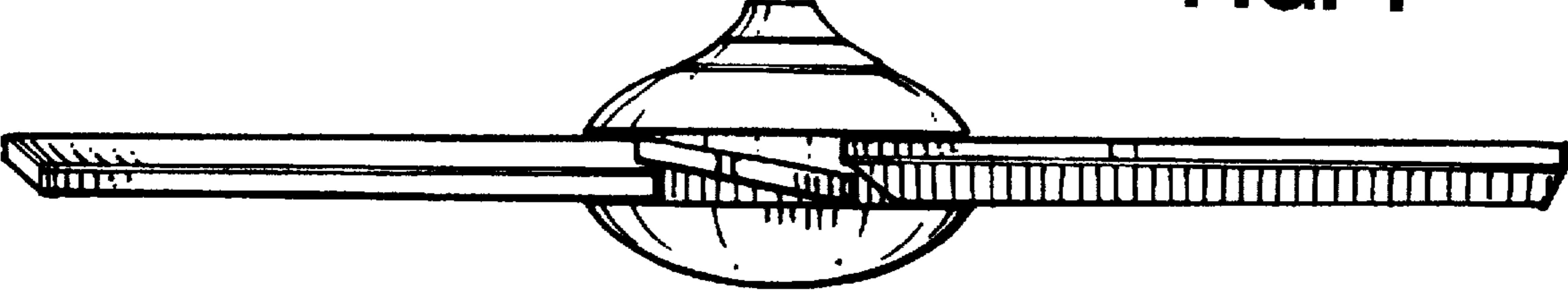


FIG. 5

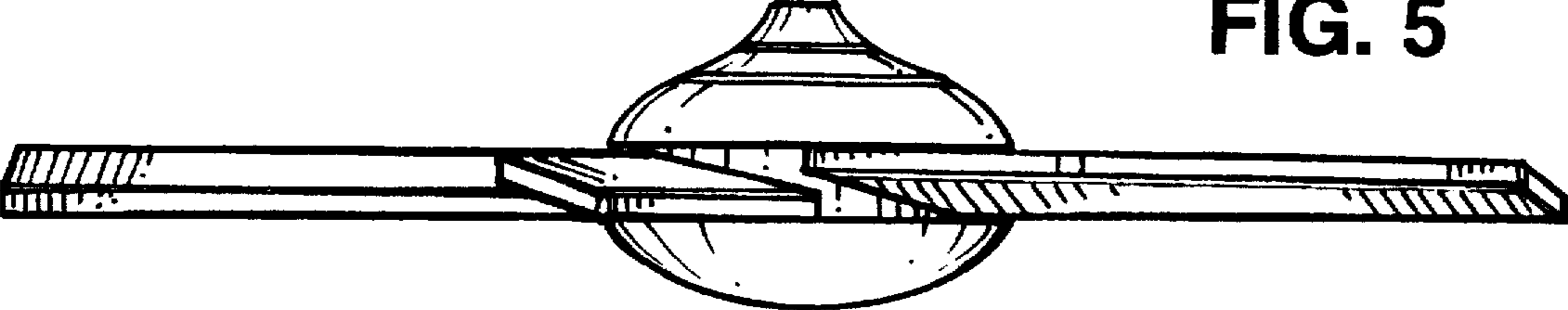


FIG. 6

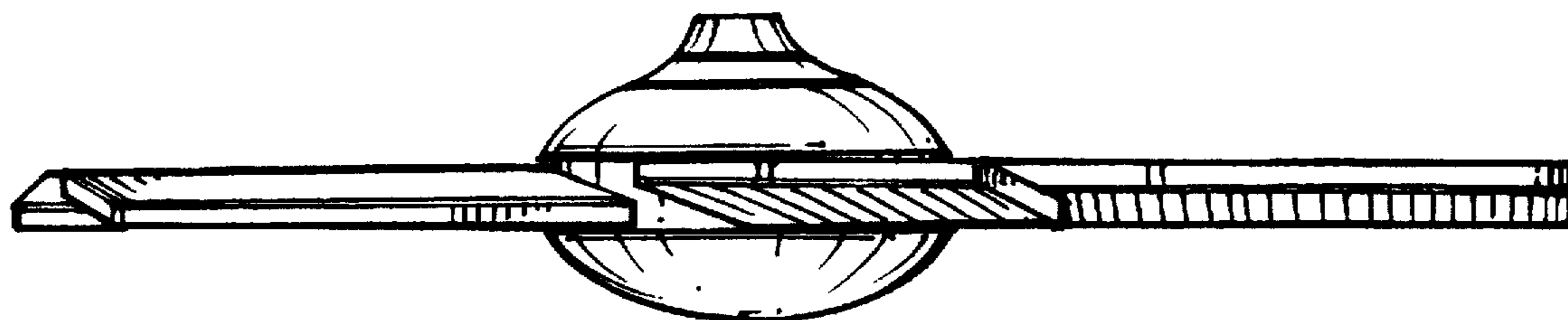
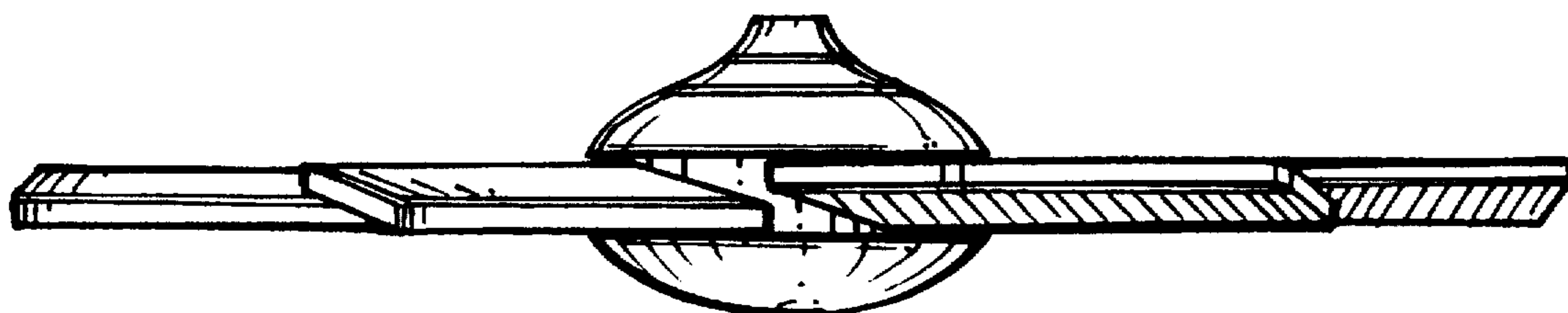


FIG. 7