



US00D396529S

**United States Patent** [19]  
**Yuen**

[11] **Patent Number:** **Des. 396,529**  
[45] **Date of Patent:** **\*\*Jul. 28, 1998**

[54] **FRESH AIR IONIZER**

D. 370,253 5/1996 Yuen ..... D23/355

[75] **Inventor:** **Se Kit Yuen, Kowloon, Hong Kong**

*Primary Examiner*—Lisa Lichtenstein  
*Attorney, Agent, or Firm*—Darby & Darby

[73] **Assignee:** **John Manufacturing Limited,**  
**Kowloon, Hong Kong**

[\*\*] **Term:** **14 Years**

[57] **CLAIM**

The ornamental design for a fresh air ionizer, as shown.

[21] **Appl. No.:** **78,841**

[22] **Filed:** **Nov. 4, 1997**

**DESCRIPTION**

[30] **Foreign Application Priority Data**

Jul. 7, 1997 [GB] United Kingdom ..... 2067204  
Aug. 13, 1997 [GB] United Kingdom ..... 2068311

FIG. 1 is perspective view, as viewed from the left, of a fresh air ionizer, showing my new design;

FIG. 2 is a front elevational view thereof;

FIG. 3 is a right side elevational view thereof;

FIG. 4 is a left side elevational view thereof;

FIG. 5 is a rear elevational view thereof;

FIG. 6 is a top plan view thereof; and,

FIG. 7 is a bottom plan view thereof.

[51] **LOC (6) Cl.** ..... **23-04**

[52] **U.S. Cl.** ..... **D23/366; D23/355**

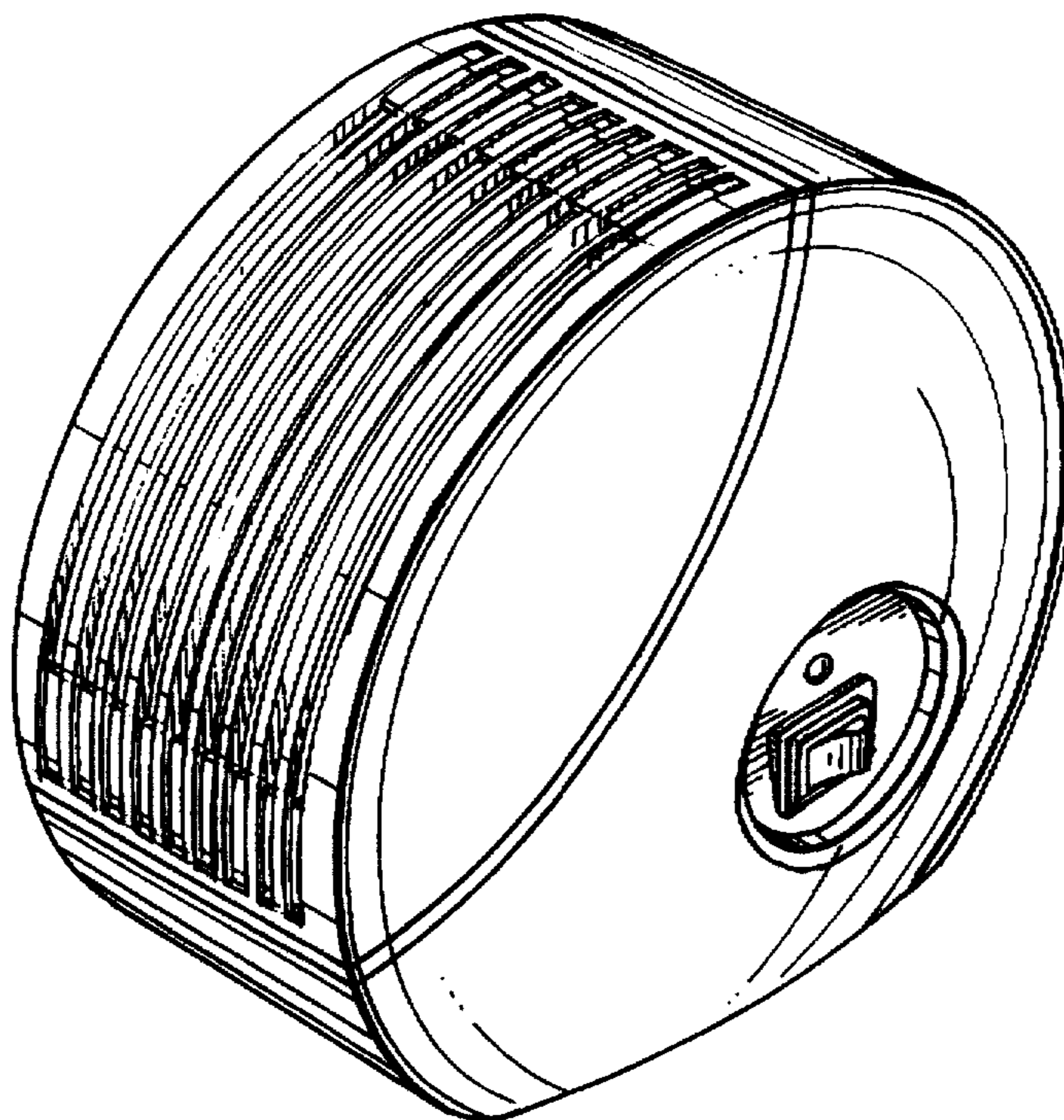
[58] **Field of Search** ..... **D23/355, 366-369;**  
**422/123, 305; 96/97; 261/DIG. 65; 206/0.5;**  
**239/57, 58, 59; D9/377, 300, 307**

[56] **References Cited**

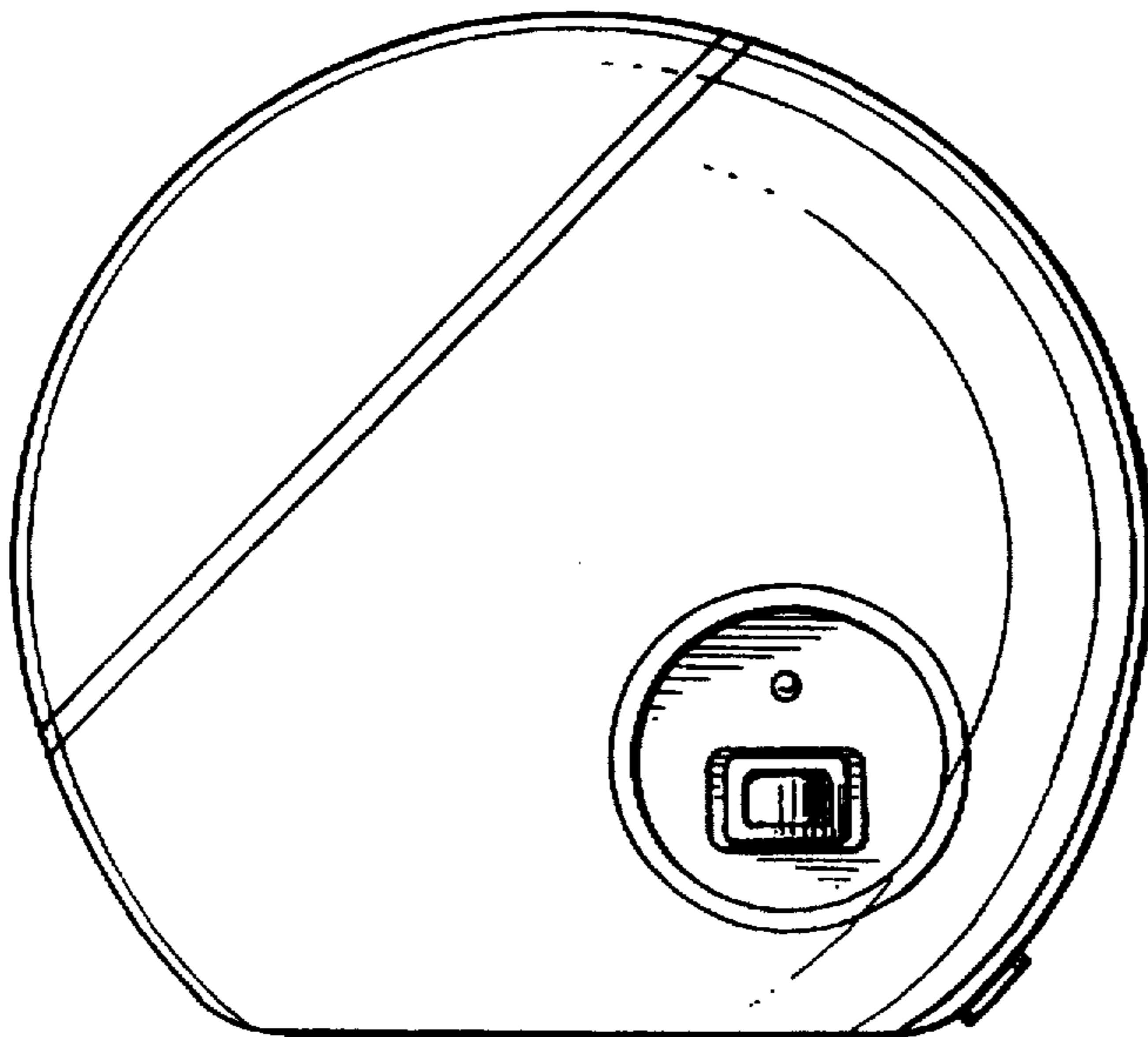
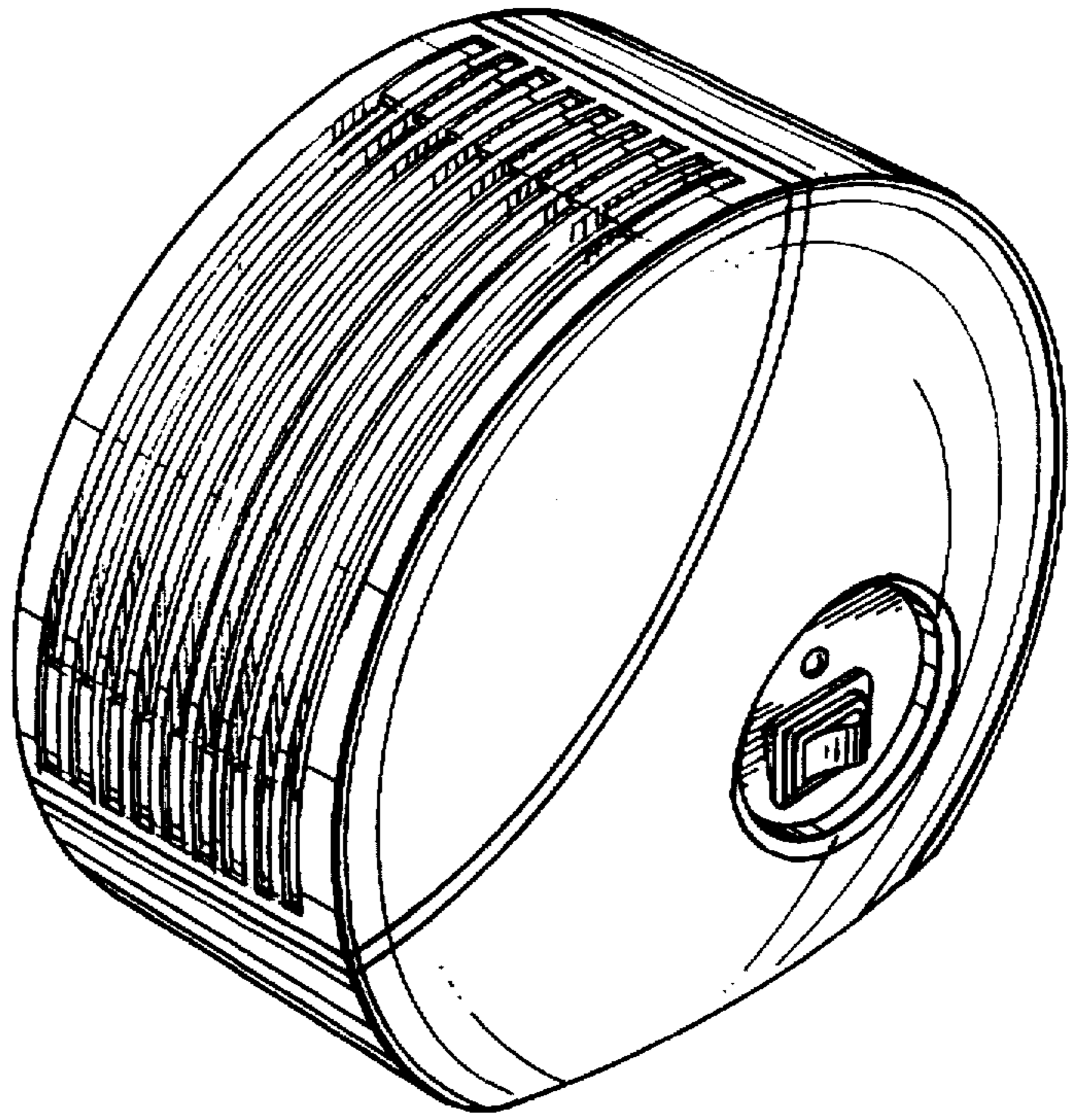
**U.S. PATENT DOCUMENTS**

D. 330,075 10/1992 Kuhn ..... D23/366

**1 Claim, 3 Drawing Sheets**

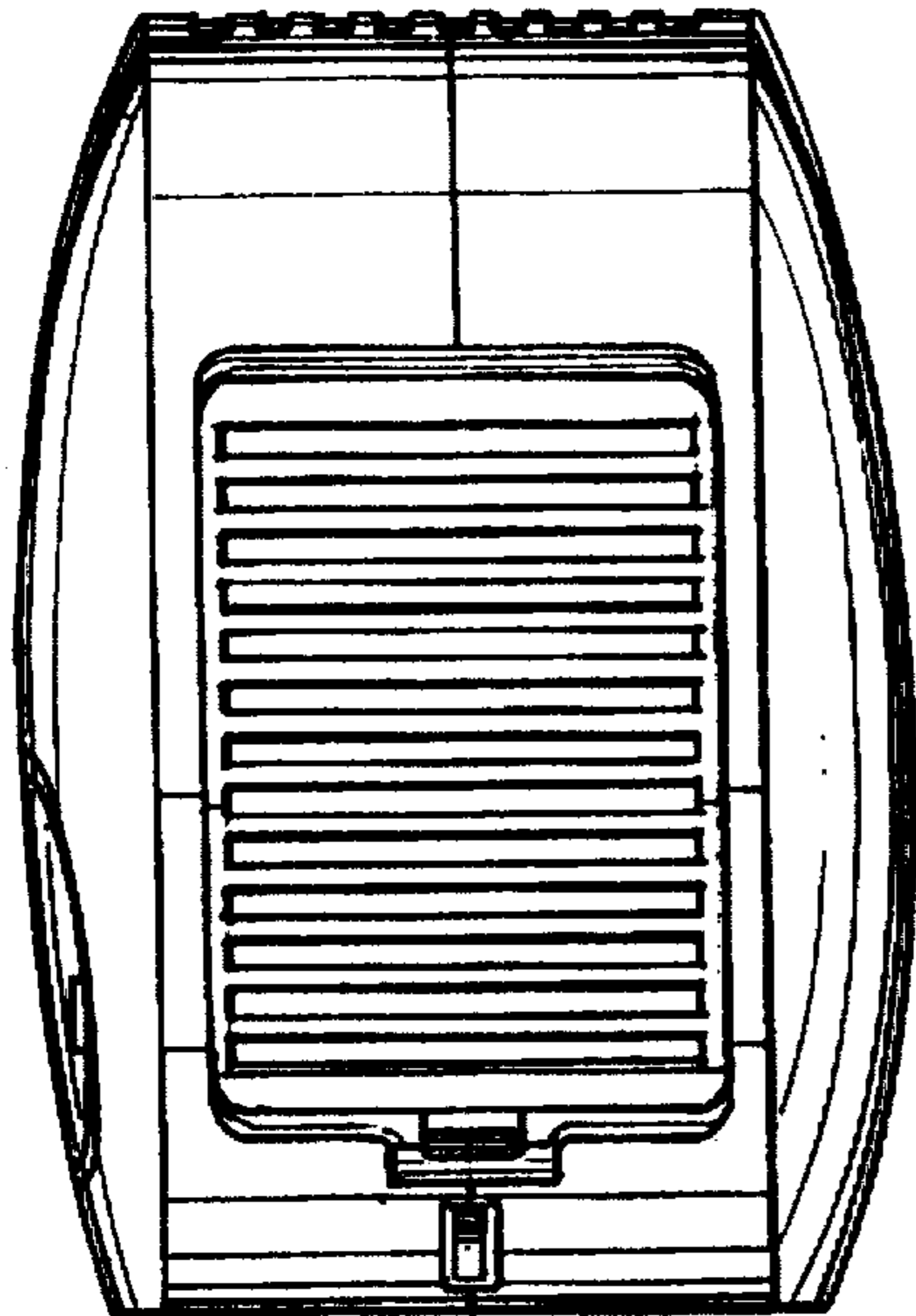


**FIG. 1**

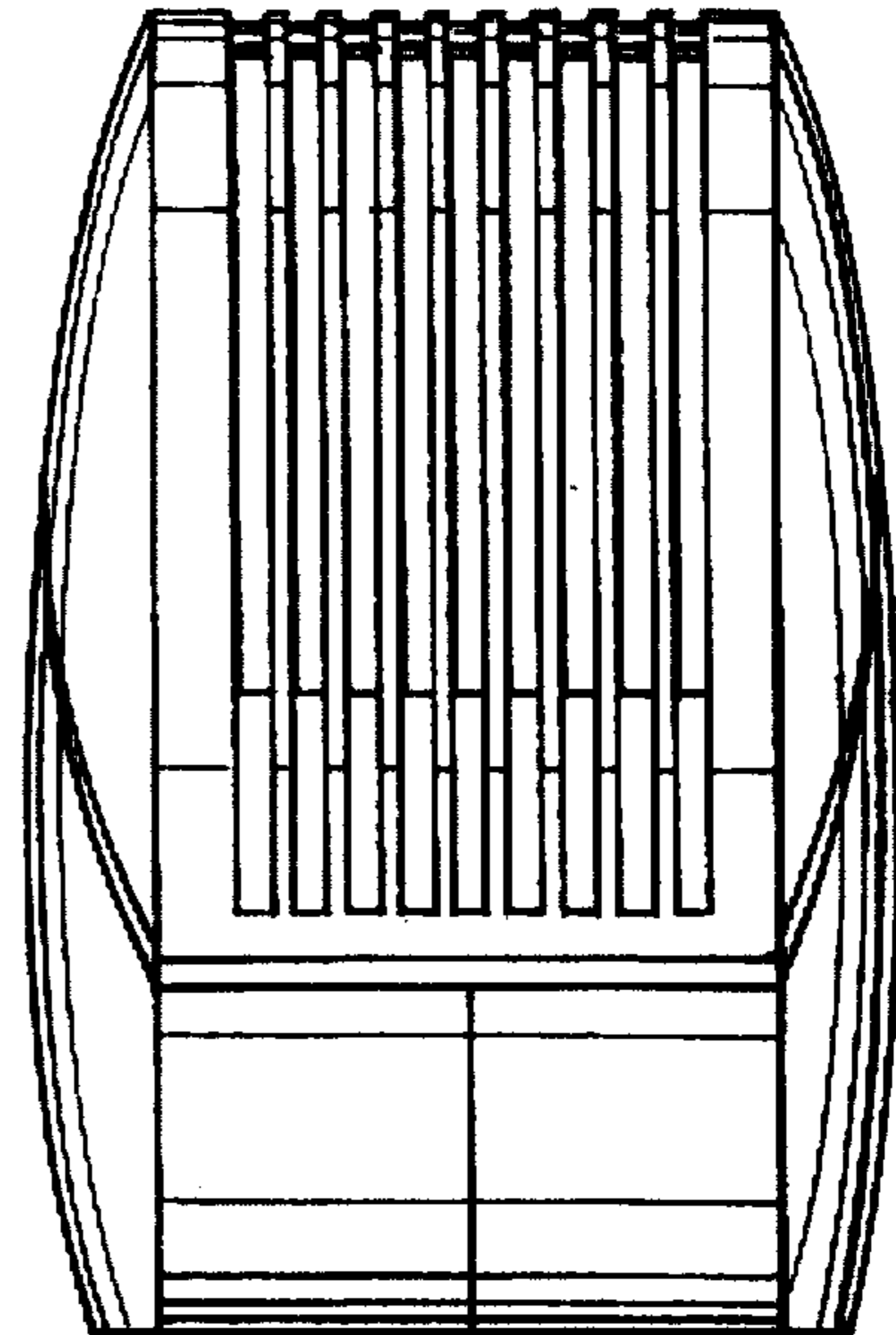


**FIG. 2**

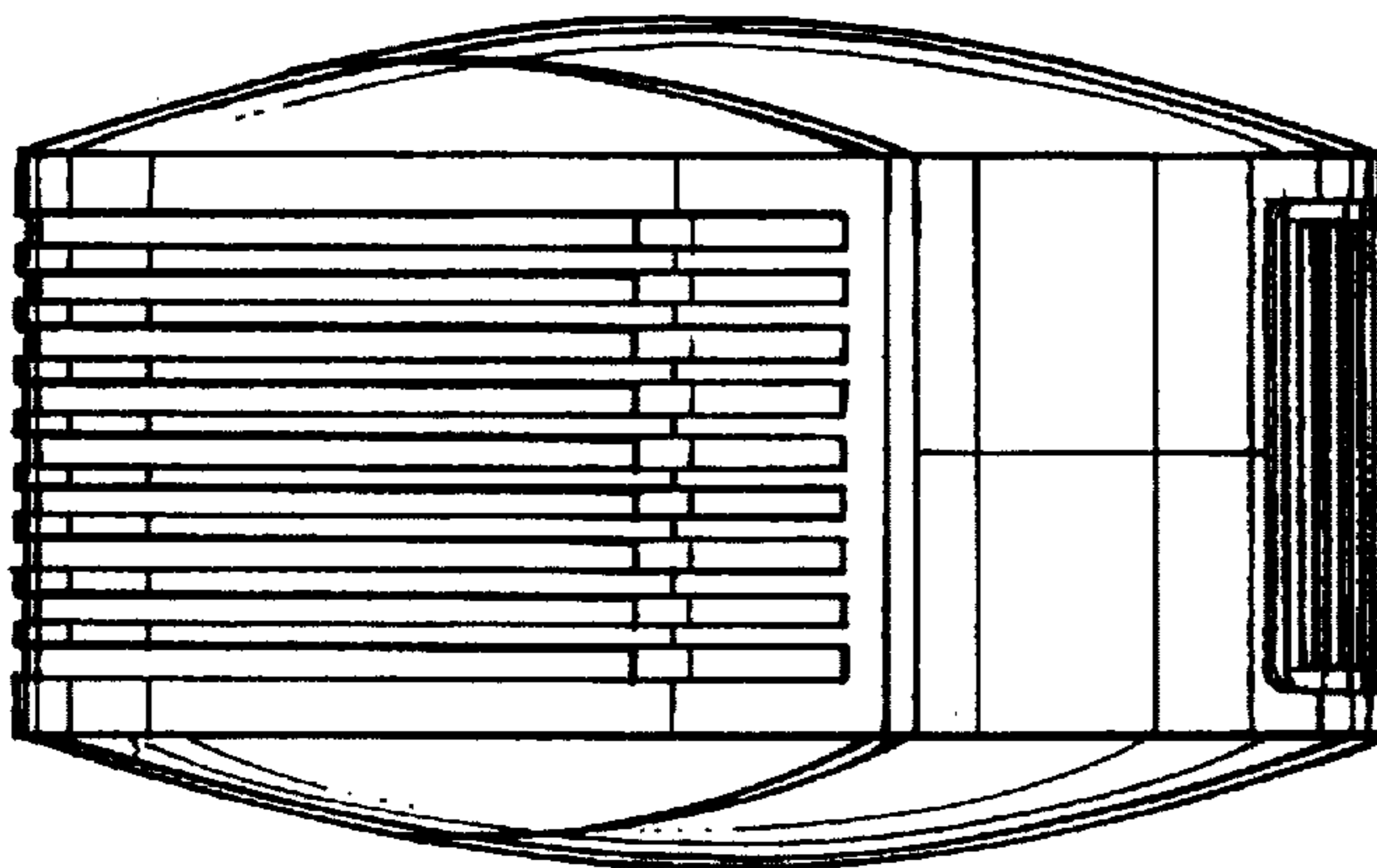
**FIG. 3**

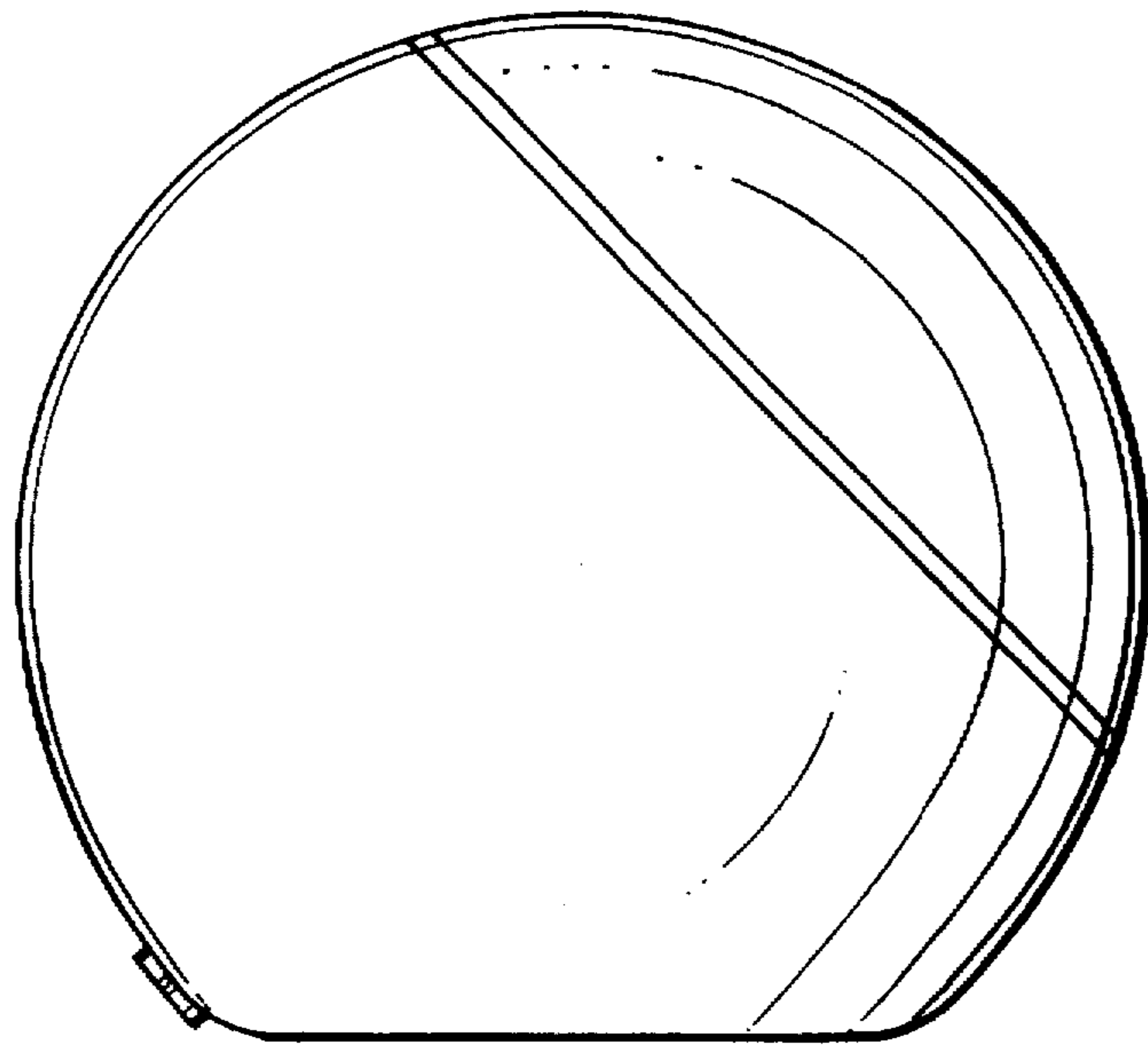


**FIG. 4**



**FIG. 6**





**FIG. 5**

**FIG. 7**

