



US00D396524S

# United States Patent [19]

Patrick et al.

[11] Patent Number: Des. 396,524

[45] Date of Patent: \*\*Jul. 28, 1998

[54] ANTI-SIPHON VALVE BODY

[75] Inventors: **Walter C. Patrick**, Alta Loma;  
**Richard G. Garza**, Norwalk, both of Calif.

[73] Assignee: **Arcadia Industries, Inc.**, San Diego, Calif.

[\*\*] Term: **14 Years**

[21] Appl. No.: **61,273**

[22] Filed: **Oct. 18, 1996**

[51] LOC (6) Cl. .... **23-01**

[52] U.S. Cl. .... **D23/233**

[58] Field of Search ..... D23/233-237,  
D23/244-249; 251/63.5, 63.6, 335.3; 417/181,  
151

[56] **References Cited**

**U.S. PATENT DOCUMENTS**

- D. 301,915 6/1989 Fisher et al. .... D23/233
- D. 317,815 6/1991 Jeromson et al. .... D23/233
- D. 331,449 12/1992 Adishian et al. .... D23/233

D. 332,822 1/1993 Reid et al. .... D23/233

*Primary Examiner*—Marcus A. Jackson  
*Attorney, Agent, or Firm*—Kelly Bauersfeld Lowry & Kelley, LLP.

[57] **CLAIM**

The ornamental design for a anti-siphon valve body, as shown and described.

**DESCRIPTION**

FIG. 1 is a perspective view of an anti-siphon valve body embodying our new ornamental design and showing a solenoid actuator in broken line, the latter forming no part of the claimed design;

FIG. 2 is a front elevational view thereof, it being understood that the rear elevational view is identical as the front view, only reversed in orientation;

FIG. 3 is a top plan view thereof;

FIG. 4 is a bottom plan view thereof;

FIG. 5 is an end elevational view thereof, as seen from the left side of FIG. 1; and,

FIG. 6 is an end elevational view thereof, as seen from the right side of FIG. 1.

**1 Claim, 4 Drawing Sheets**

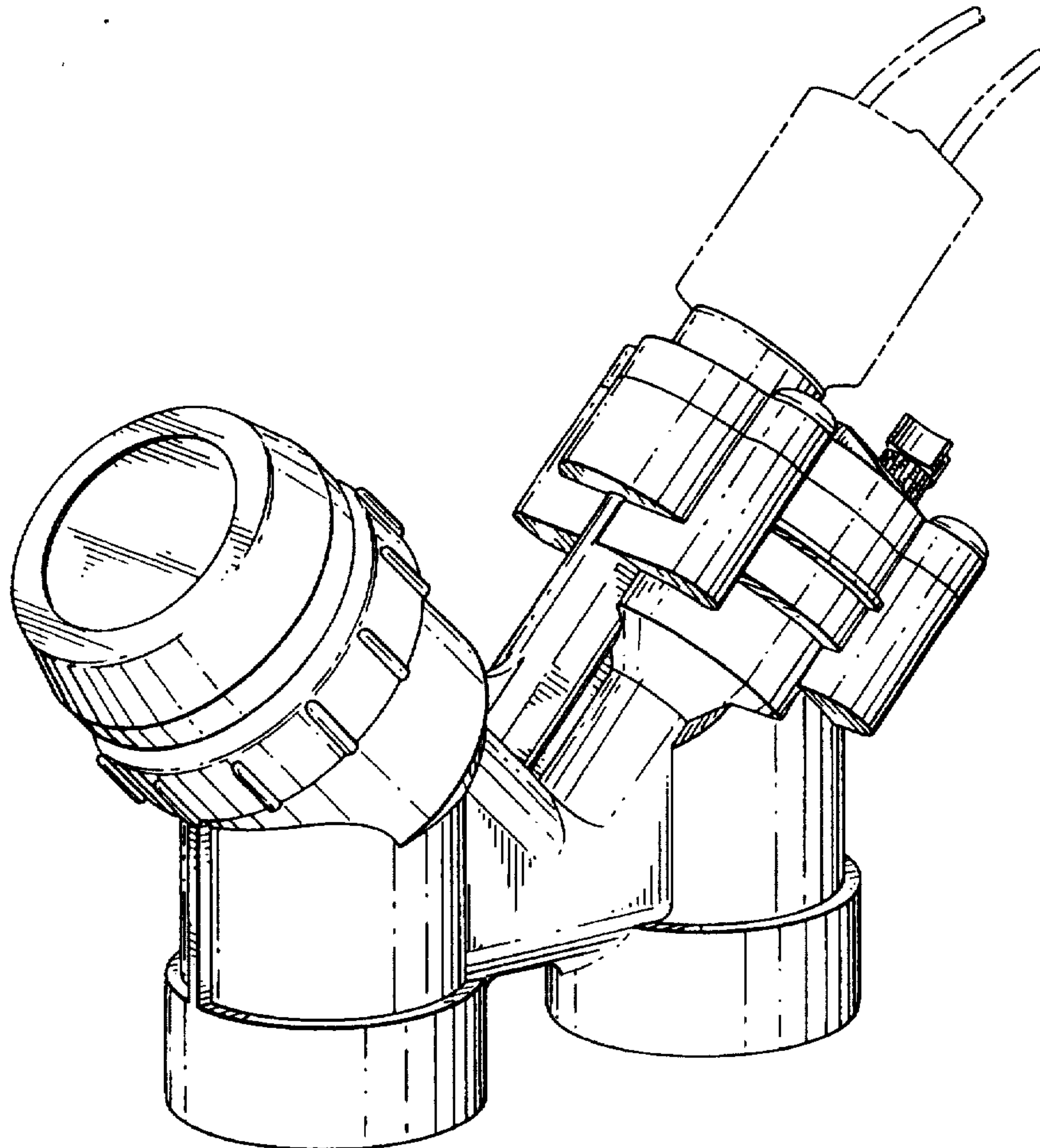


FIG. 1

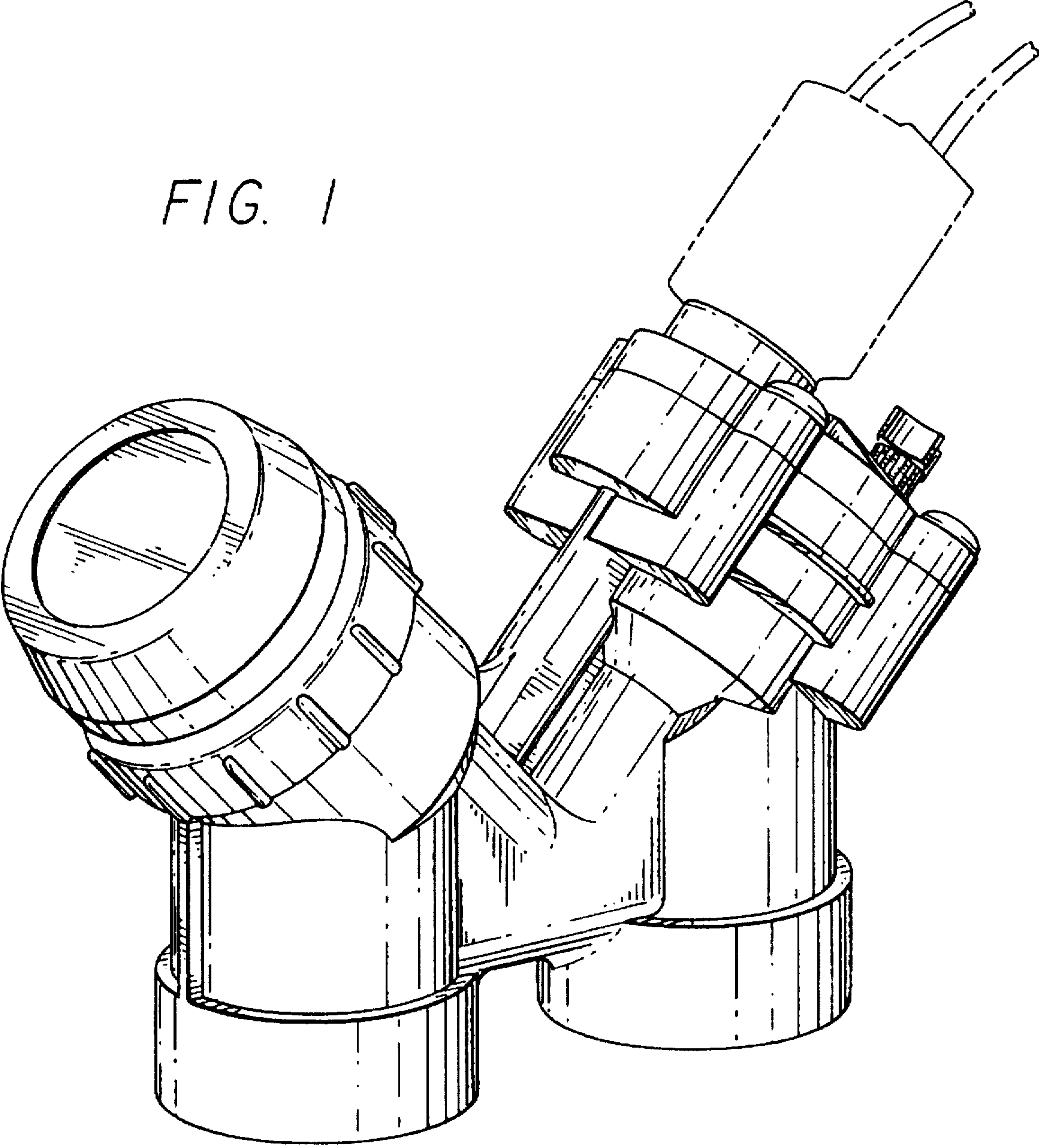
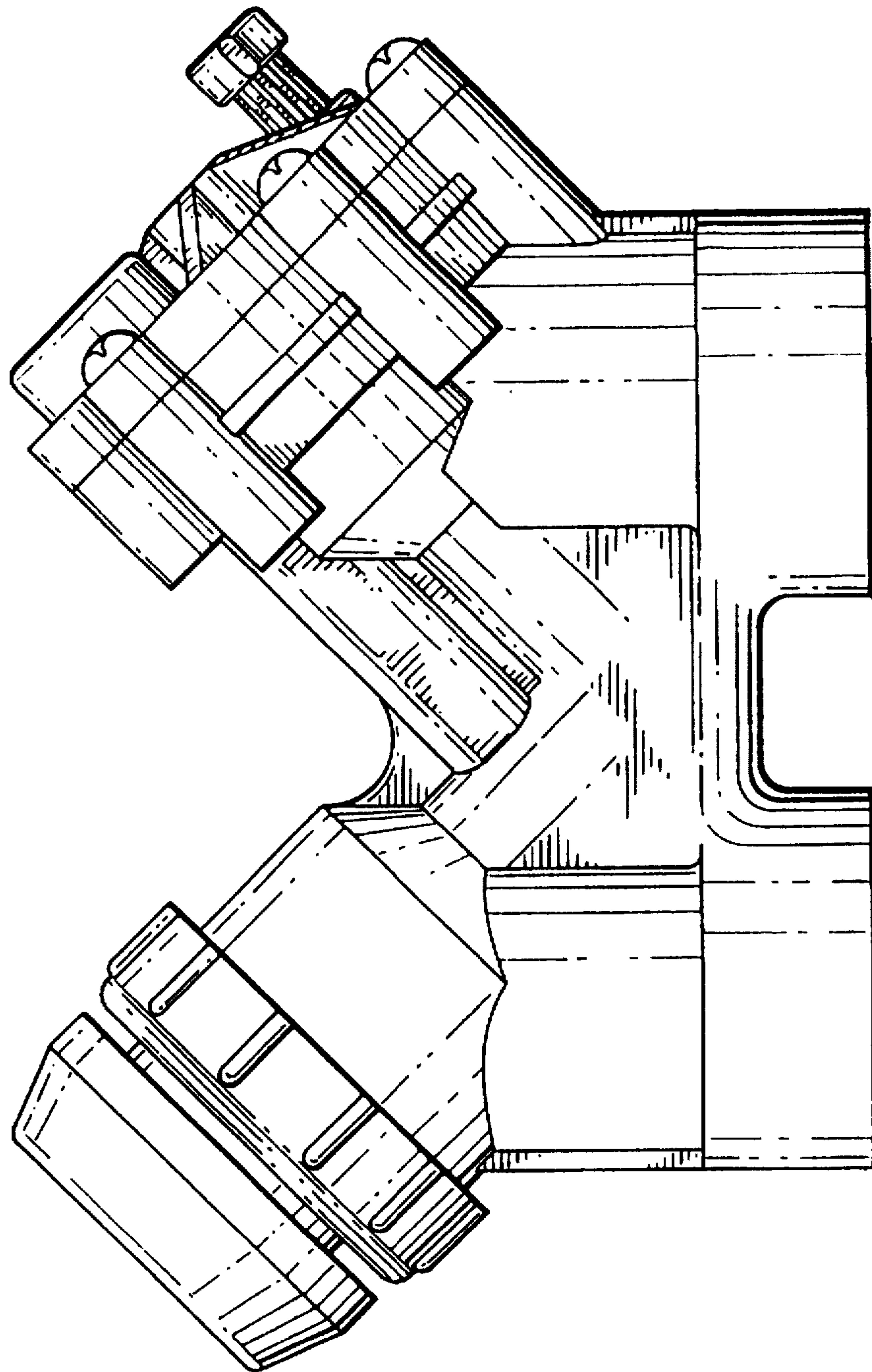


FIG. 2





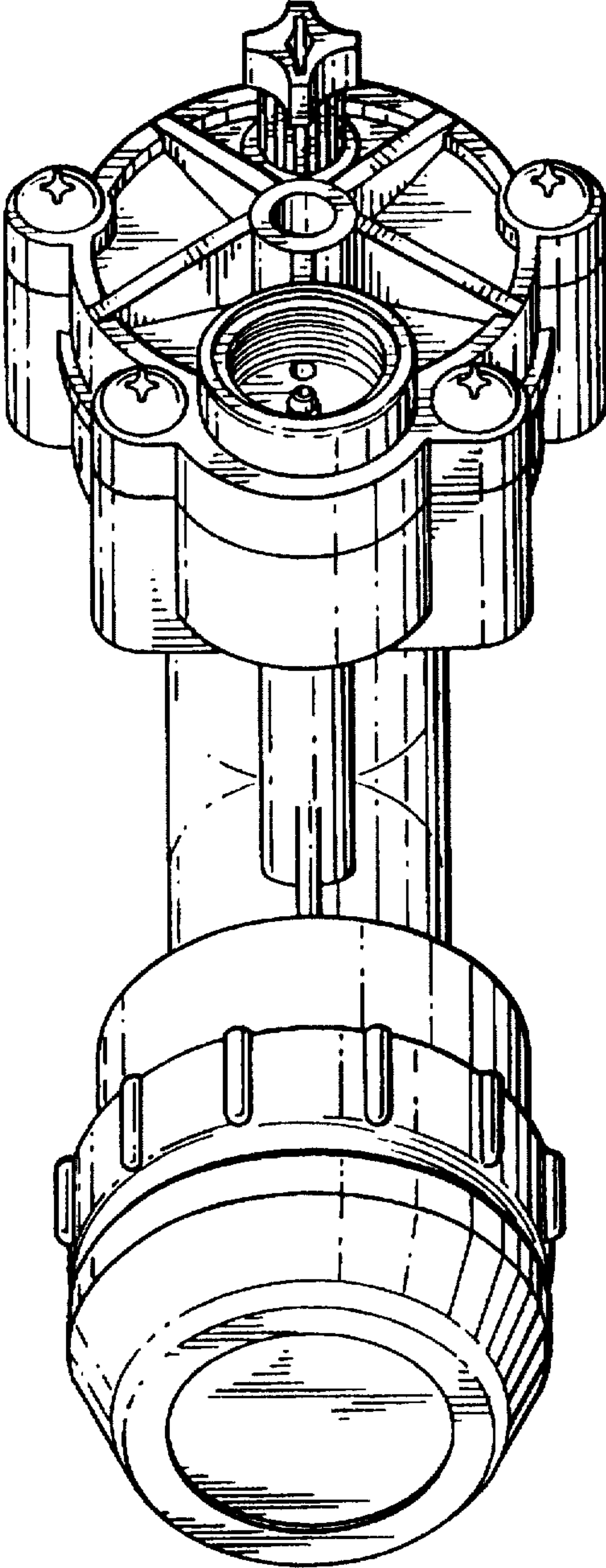


FIG. 3

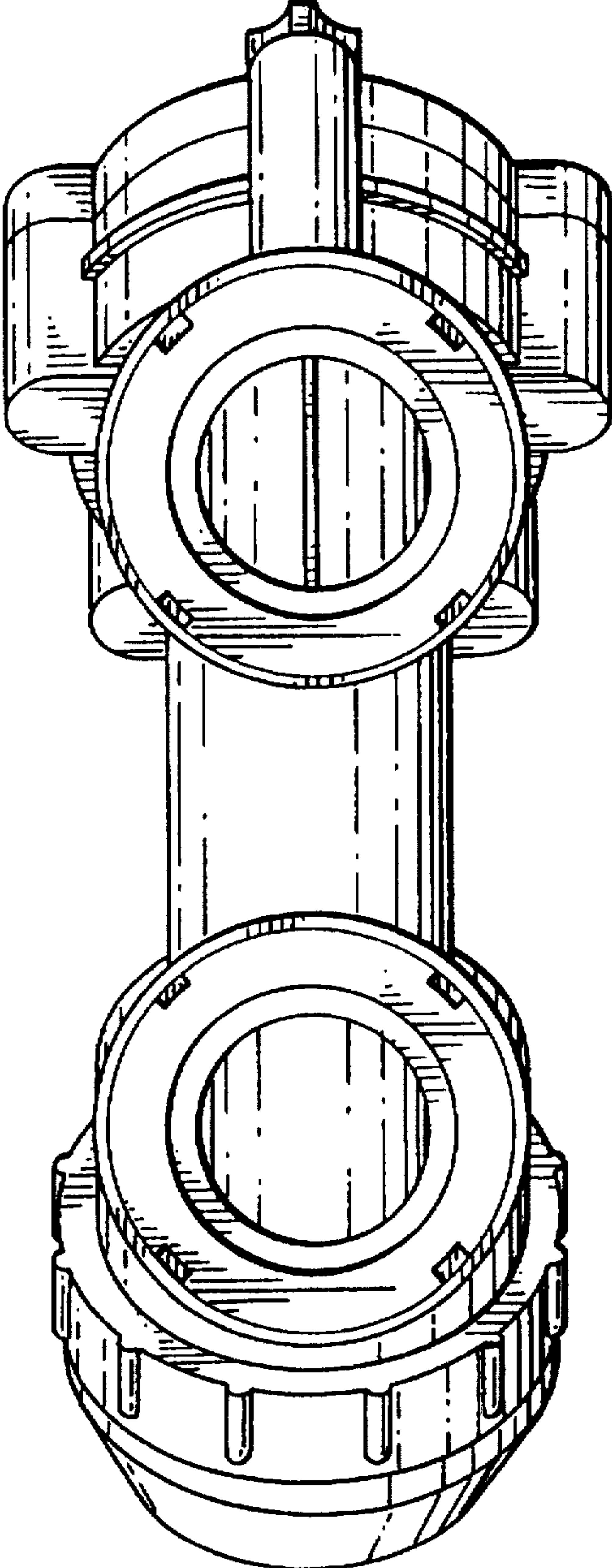


FIG. 4

FIG. 5

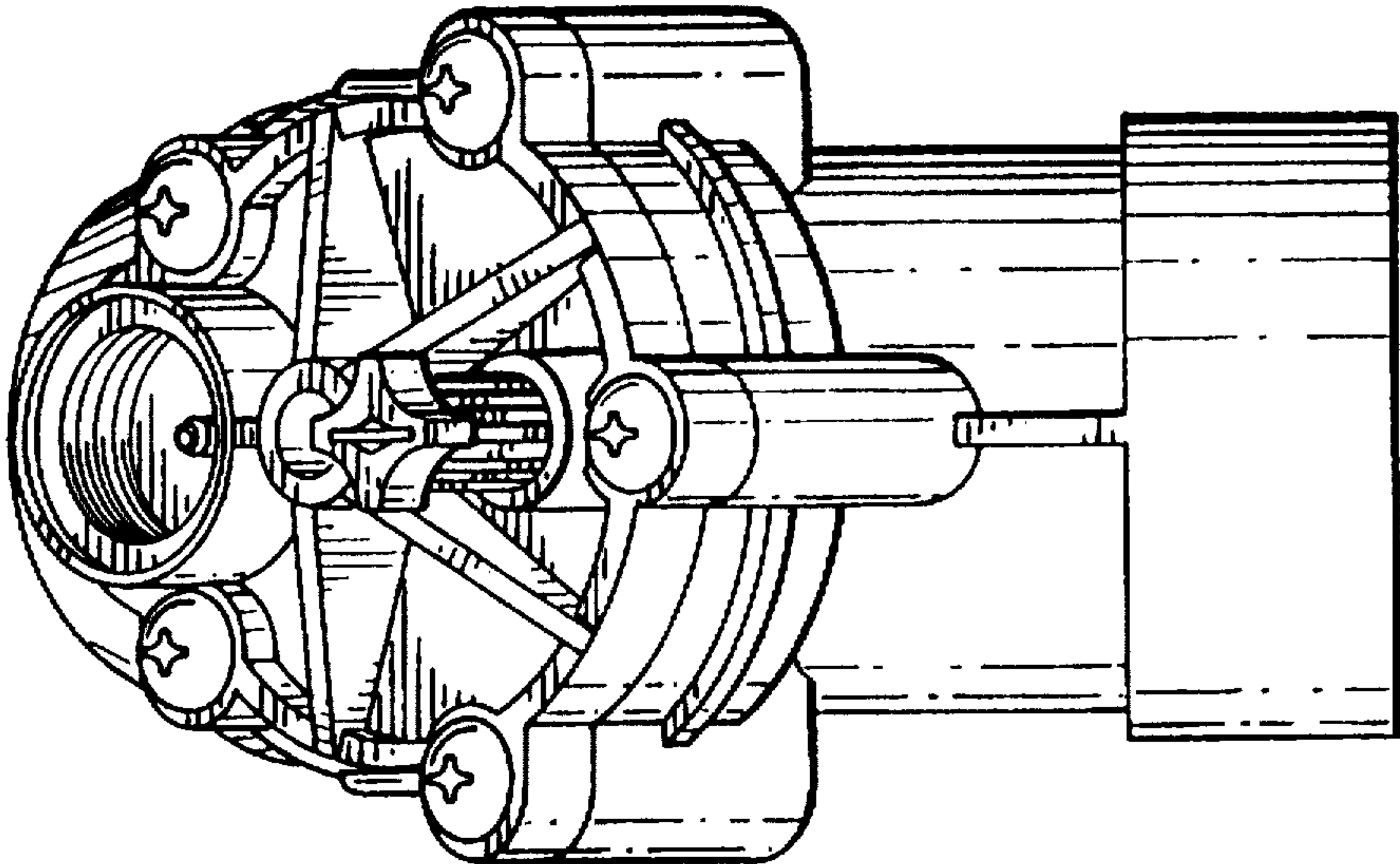
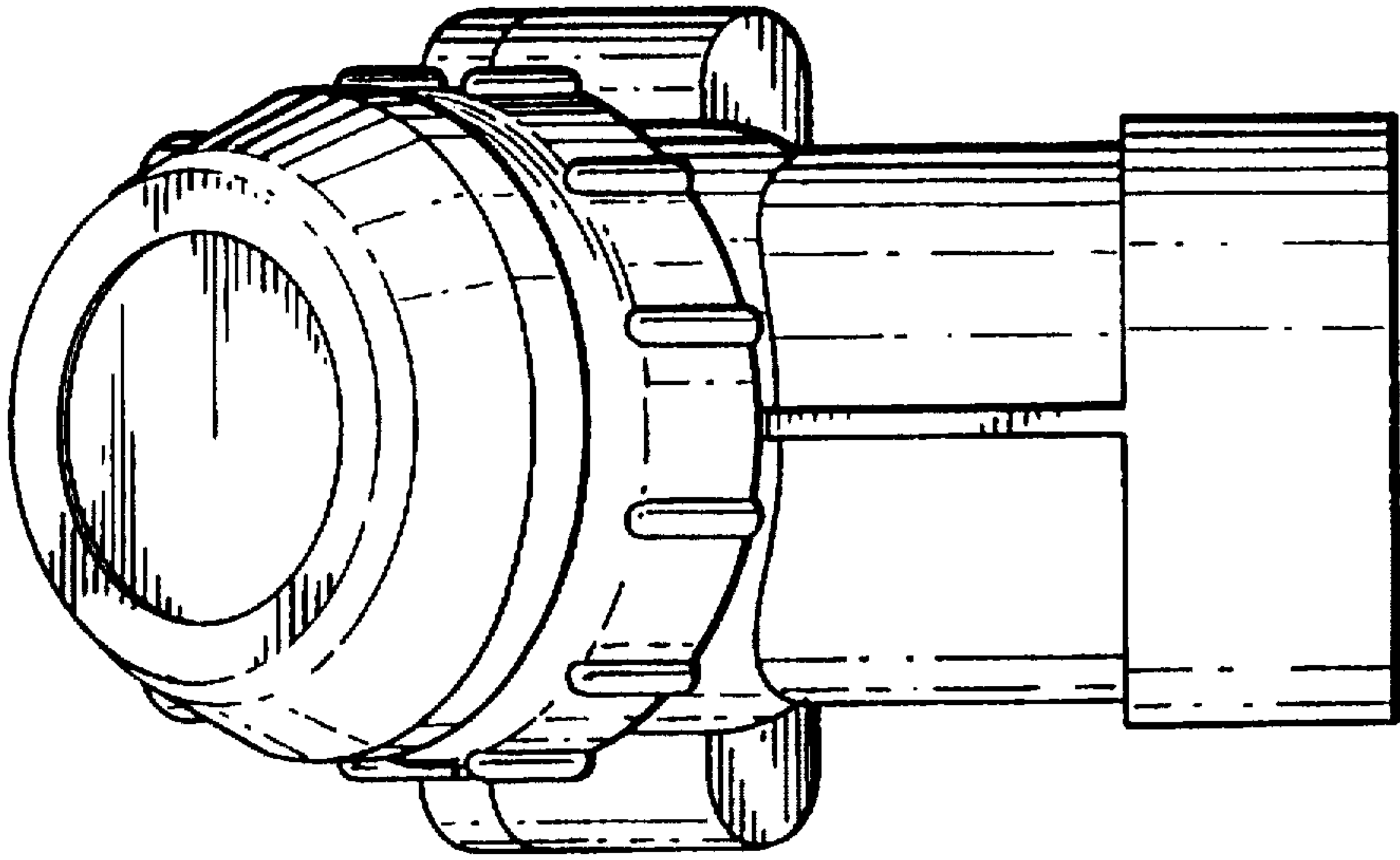


FIG. 6