



US00D396521S

United States Patent [19]
Brackett, Sr.

[11] **Patent Number: Des. 396,521**
[45] **Date of Patent: ***Jul. 28, 1998**

[54] **HOOK SETTING FISHING FLOAT**
[76] **Inventor: Paul E. Brackett, Sr.** 4501
Countryaire Estates, Hackett, Ak. 72937
[*] **Notice:** The portion of the term of this patent
subsequent to Jul. 2, 2010, has been dis-
claimed.
[**] **Term: 14 Years**
[21] **Appl. No.: 56,495**
[22] **Filed: Jul. 1, 1996**

3,174,247	3/1965	Morgan	43/15
3,618,251	11/1971	Hodshire	43/15
3,672,087	6/1972	Milburn, Jr.	43/44.88
3,766,680	10/1973	Torme et al.	43/16
3,771,250	11/1973	Helmke	43/15
4,124,948	11/1978	Mautner	43/15
4,139,960	2/1979	Chojnowski	43/15
4,270,298	6/1981	Hodshire	43/15
4,547,990	10/1985	Hero	43/15
4,890,410	1/1990	Pratscher et al.	43/15
4,924,617	5/1990	Parent	43/15
5,398,440	3/1995	Amundsen	43/44.87
5,438,788	8/1995	Rich et al.	43/15

Related U.S. Application Data

[63] **Continuation-in-part of Ser. No. 37,021, Apr. 3, 1995, Pat.**
No. Des. 371,421.
[51] **LOC (6) Cl.** **22-05**
[52] **U.S. Cl.** **D22/146; D22/134**
[58] **Field of Search** **D22/134, 146;**
43/15, 16, 44.87, 44.88, 44.83, 44.9, 44.94

Primary Examiner—Doris V. Coles
Attorney, Agent, or Firm—Joseph B. Bowman

[57] **CLAIM**

The ornamental design for a hook setting fishing float, as shown and described.

DESCRIPTION

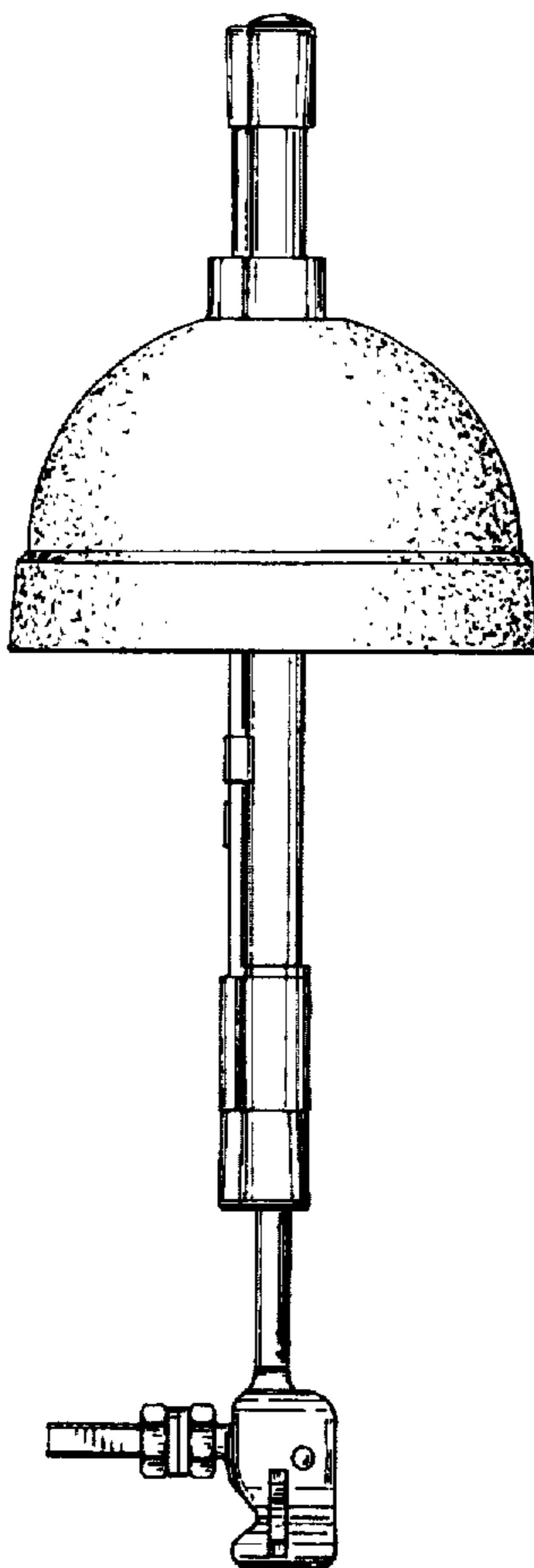
FIG. 1 is a right side elevational view of a fishing float showing my new design;
FIG. 2 is a front side elevational view thereof;
FIG. 3 is a left side elevational view thereof;
FIG. 4 is a rear elevational view thereof;
FIG. 5 is a top plan view thereof; and,
FIG. 6 is a bottom plan view thereof.

[56] **References Cited**

U.S. PATENT DOCUMENTS

D. 371,421	7/1996	Brackett, Sr.	D22/134
2,534,795	12/1950	Ramsey	43/15
2,876,578	3/1959	Argenio	43/15

1 Claim, 1 Drawing Sheet



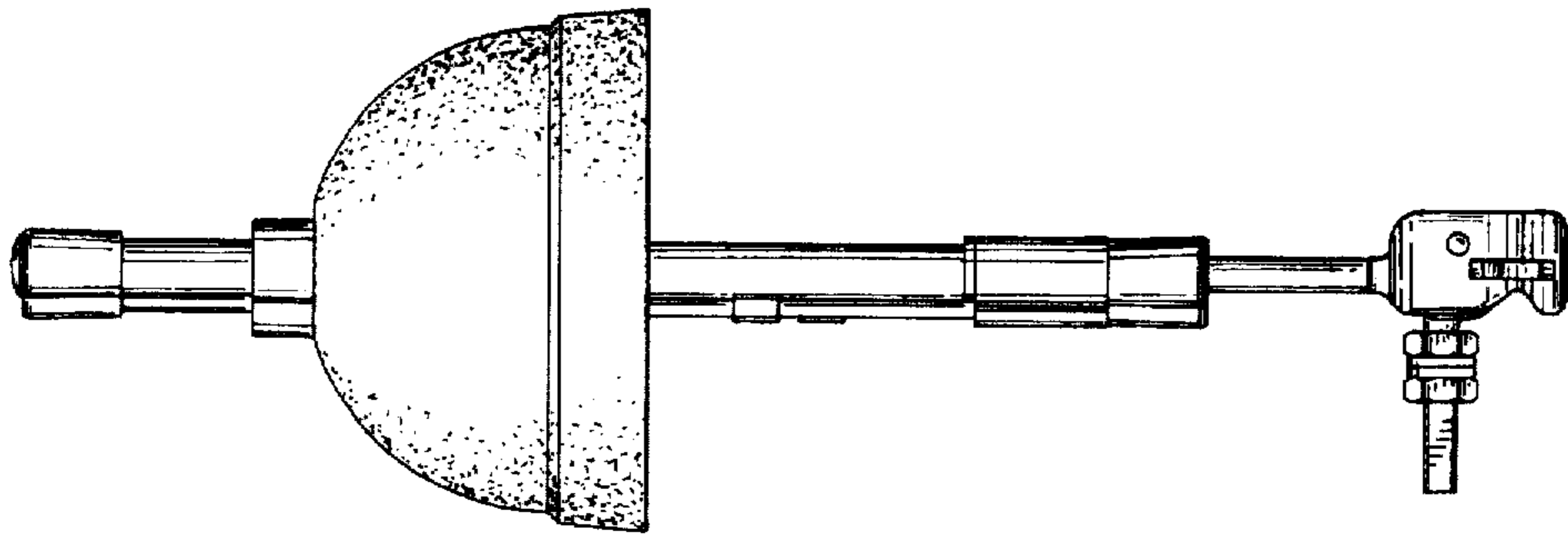


Fig. 1.

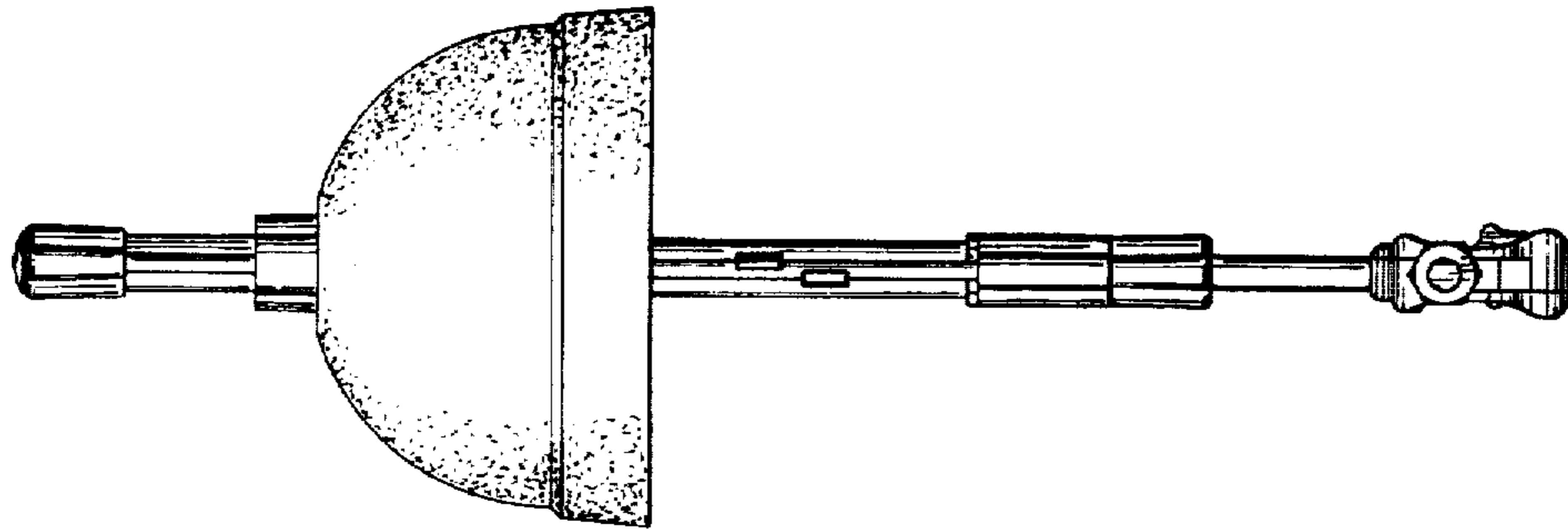


Fig. 2.

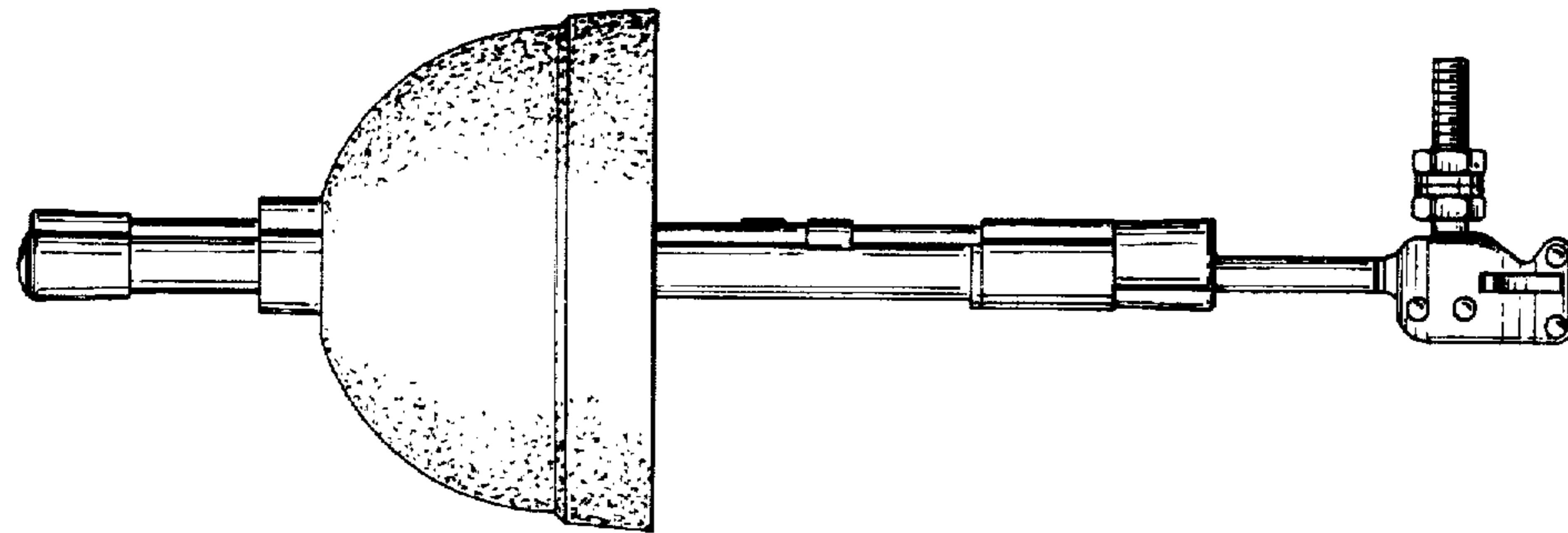


Fig. 3.

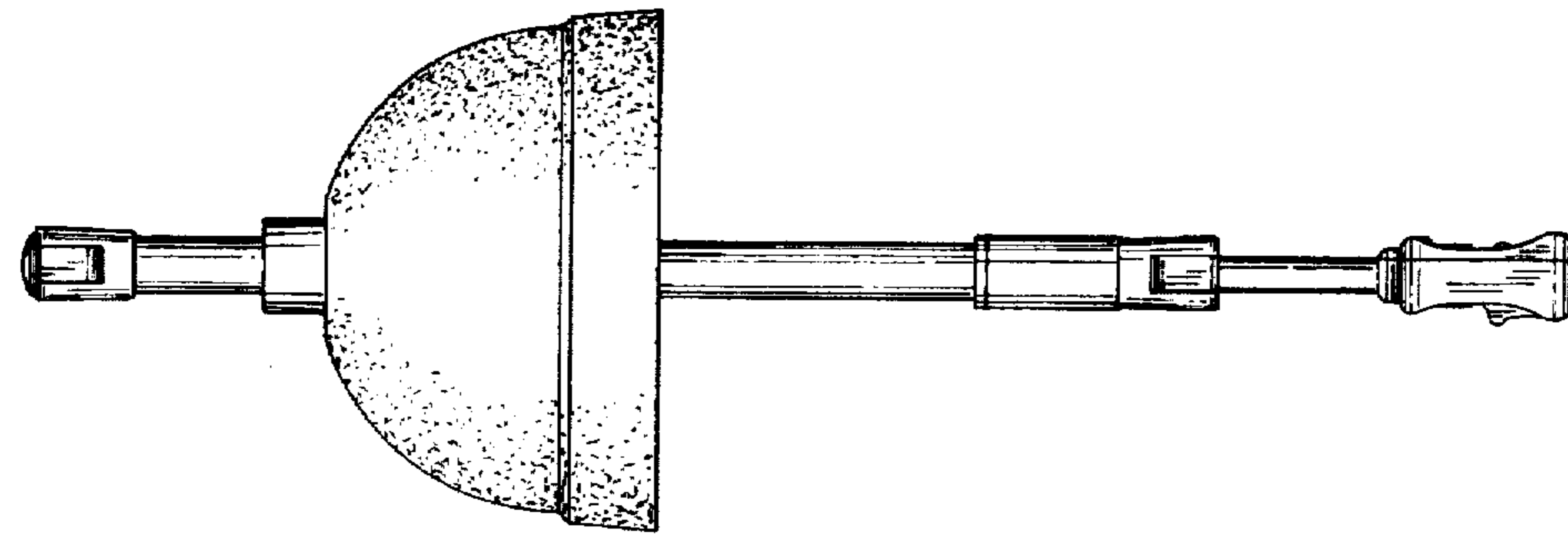


Fig. 4.

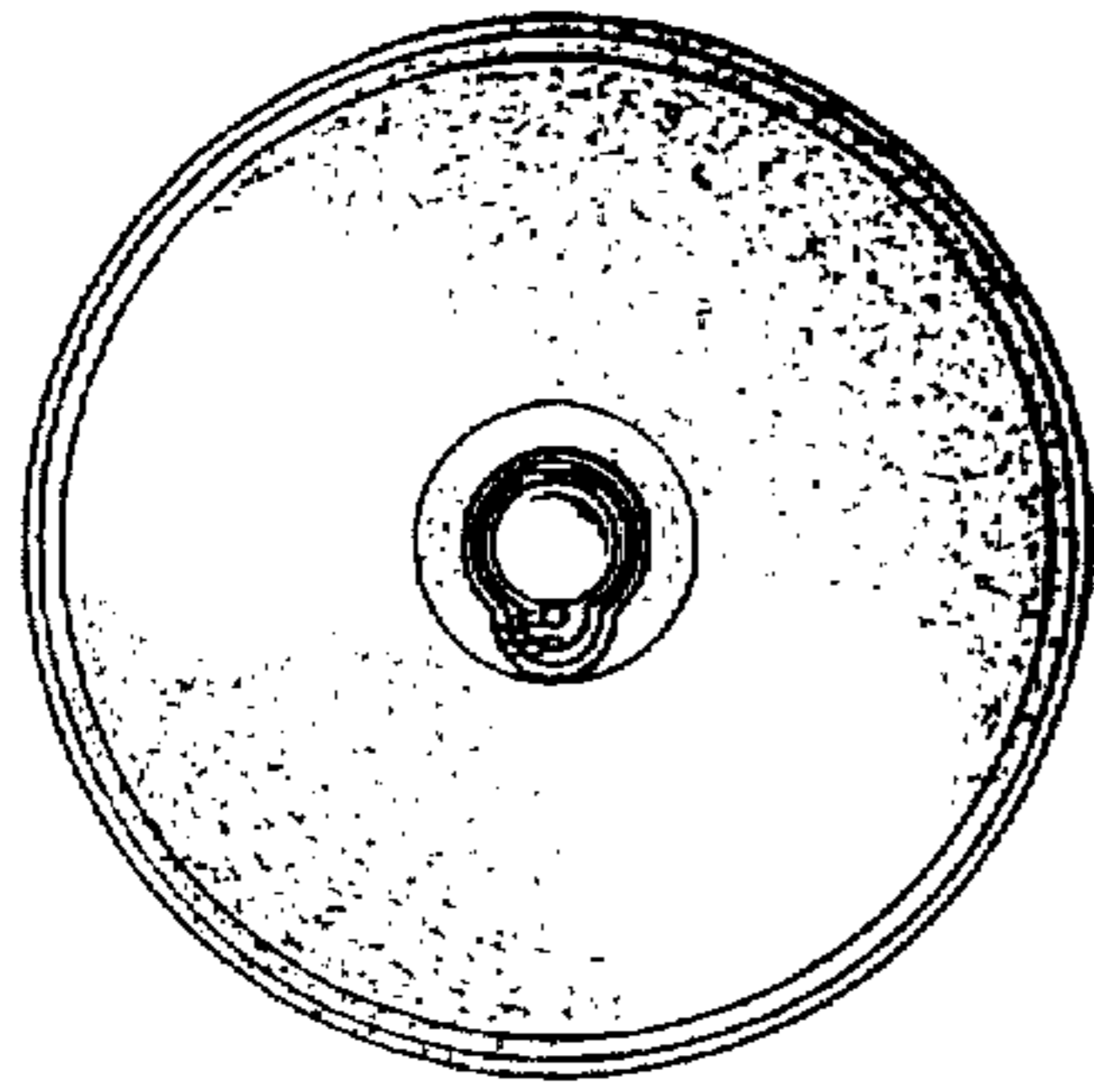


Fig. 5.

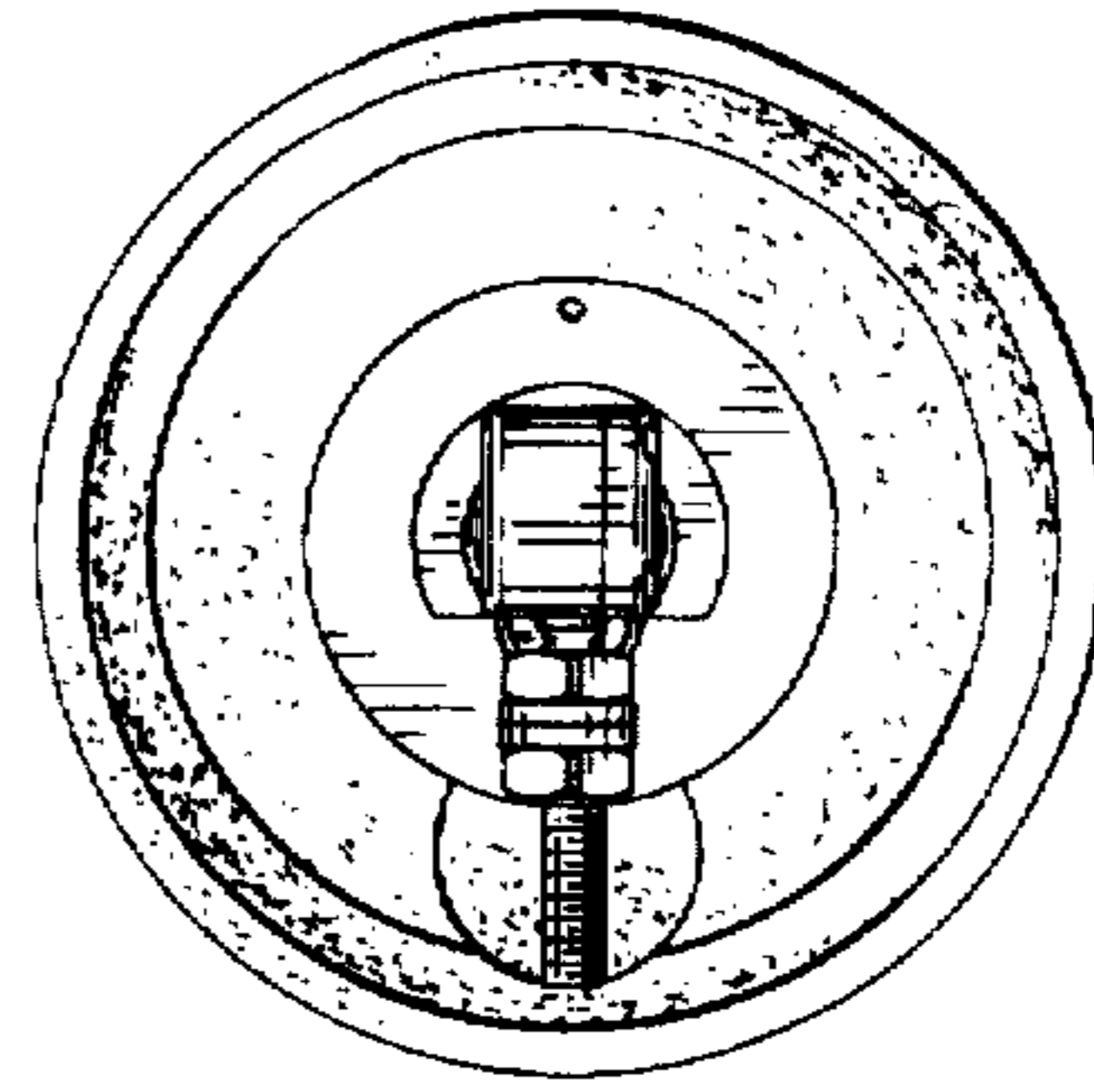


Fig. 6.