



US00D396516S

United States Patent [19] Fung

[11] Patent Number: Des. 396,516
[45] Date of Patent: **Jul. 28, 1998

[54] **ROLLER SKATE** 5,224,718 7/1993 Gertler 280/11.19
[75] Inventor: **Kenny Yiu Wing Fung**, Hong Kong,
Hong Kong
[73] Assignee: **Grace Artificial Jewellery
Manufacturing Company Limited**,
Hong Kong, Hong Kong
[**] Term: **14 Years**
[21] Appl. No.: **64,675**
[22] Filed: **Jan. 8, 1997**
[30] **Foreign Application Priority Data**
Nov. 26, 1996 [GB] United Kingdom 2061171
[51] **LOC (6) Cl.** **21-02**
[52] **U.S. Cl.** **D21/226**
[58] **Field of Search** D21/224-226;
280/11.19, 11.2, 11.22, 11.23, 11.26-11.28;
301/5.3, 5.7; D2/904

FOREIGN PATENT DOCUMENTS
2035252 11/1993 United Kingdom .

OTHER PUBLICATIONS
Fisher Price Catalog May 1992 p. 31 Skate 3381 Center of
Page.

Primary Examiner—Sandra L. Morris
Attorney, Agent, or Firm—Wood, Herron & Evans LLP

[57] **CLAIM**
The ornamental design for a roller skate, as shown and
described.

[56] **References Cited**

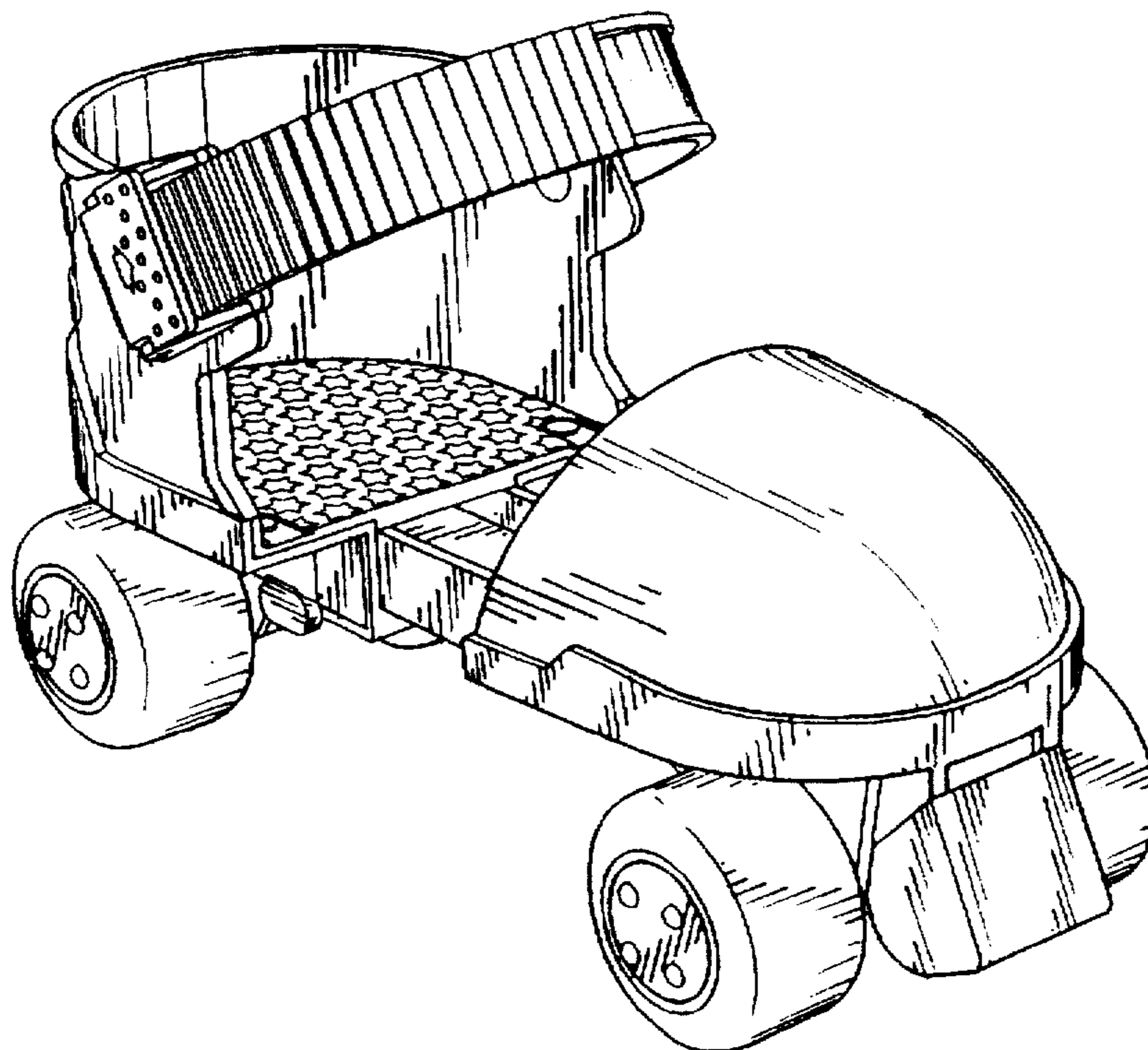
U.S. PATENT DOCUMENTS

D. 240,952	8/1976	Roche	D21/226
D. 282,095	1/1986	Robjent et al.	D21/226
D. 288,109	2/1987	Klamer	D21/226
D. 288,225	2/1987	Klamer	D21/226
D. 315,940	4/1991	Wehmeyer	D21/226
D. 344,316	2/1994	Gertler	D21/226
D. 347,237	5/1994	Robjent et al.	D21/226
D. 353,429	12/1994	Gay et al.	D21/226
D. 373,609	9/1996	Santarsiero et al.	D21/226
4,304,417	12/1981	Hsieh	280/11.26

DESCRIPTION

FIG. 1 is a front perspective view of a roller skate showing
my new design;
FIG. 2 is a front elevation view thereof;
FIG. 3 is a rear elevation view thereof;
FIG. 4 is a right side elevation view thereof;
FIG. 5 is a left side elevation view thereof;
FIG. 6 is a top plan view thereof;
FIG. 7 is a bottom plan view thereof;
FIG. 8 is a front perspective view thereof in a contracted
position;
FIG. 9 is a top plan view thereof in a contracted position;
FIG. 10 is a right side elevation view thereof in a contracted
position; and,
FIG. 11 is a bottom plan view thereof in a contracted
position.

1 Claim, 6 Drawing Sheets



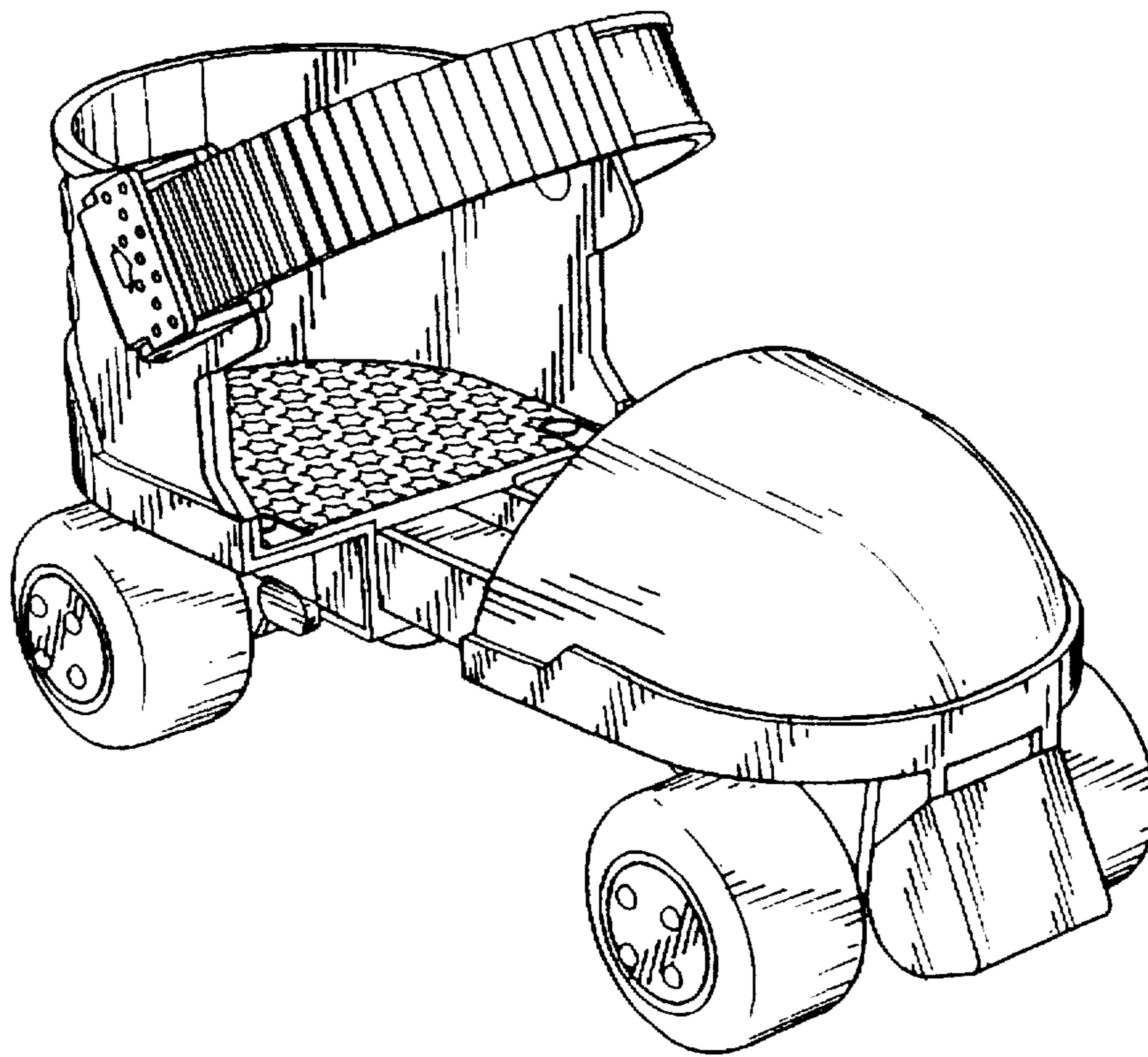


FIG. 1

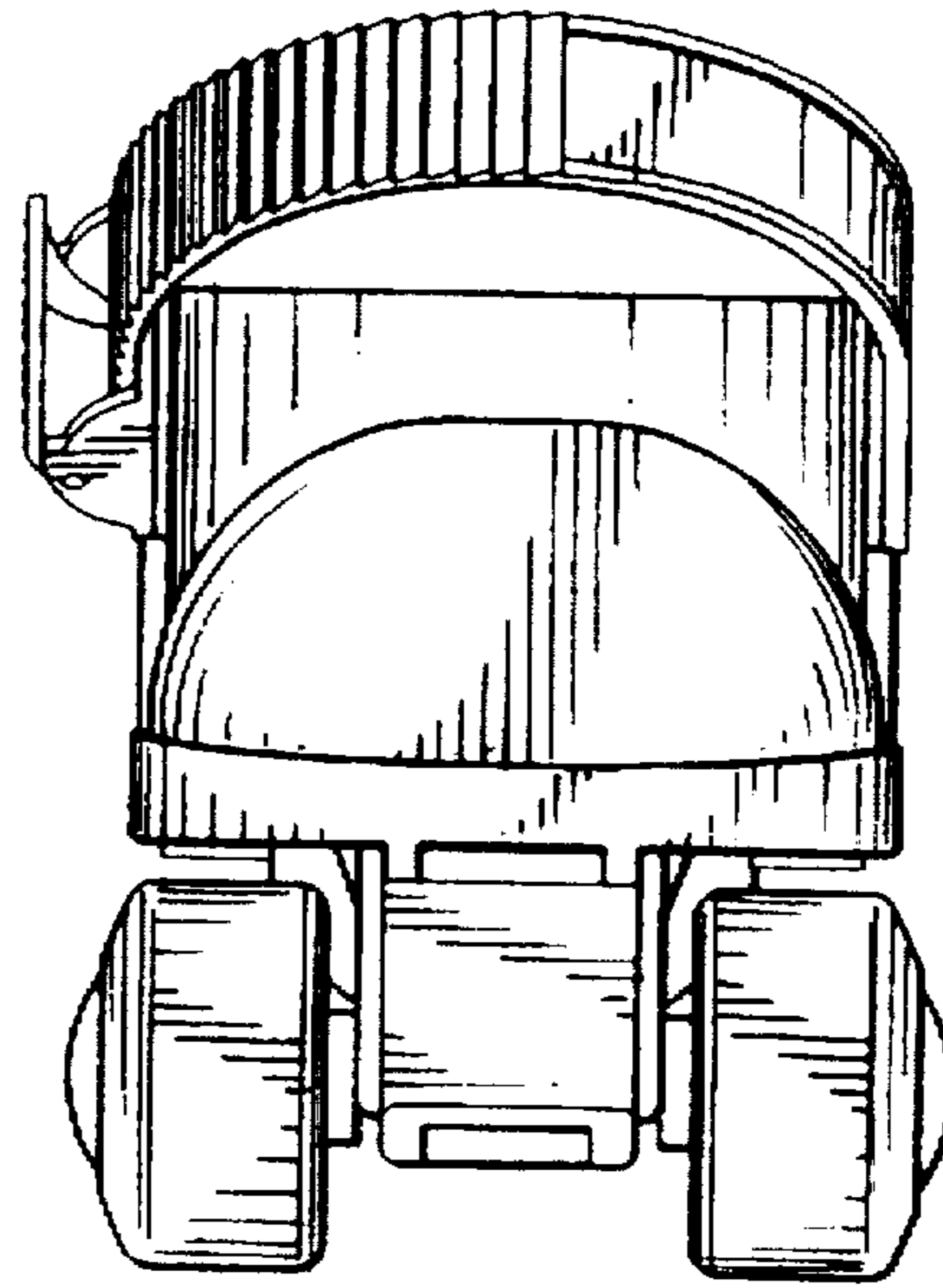


FIG. 2

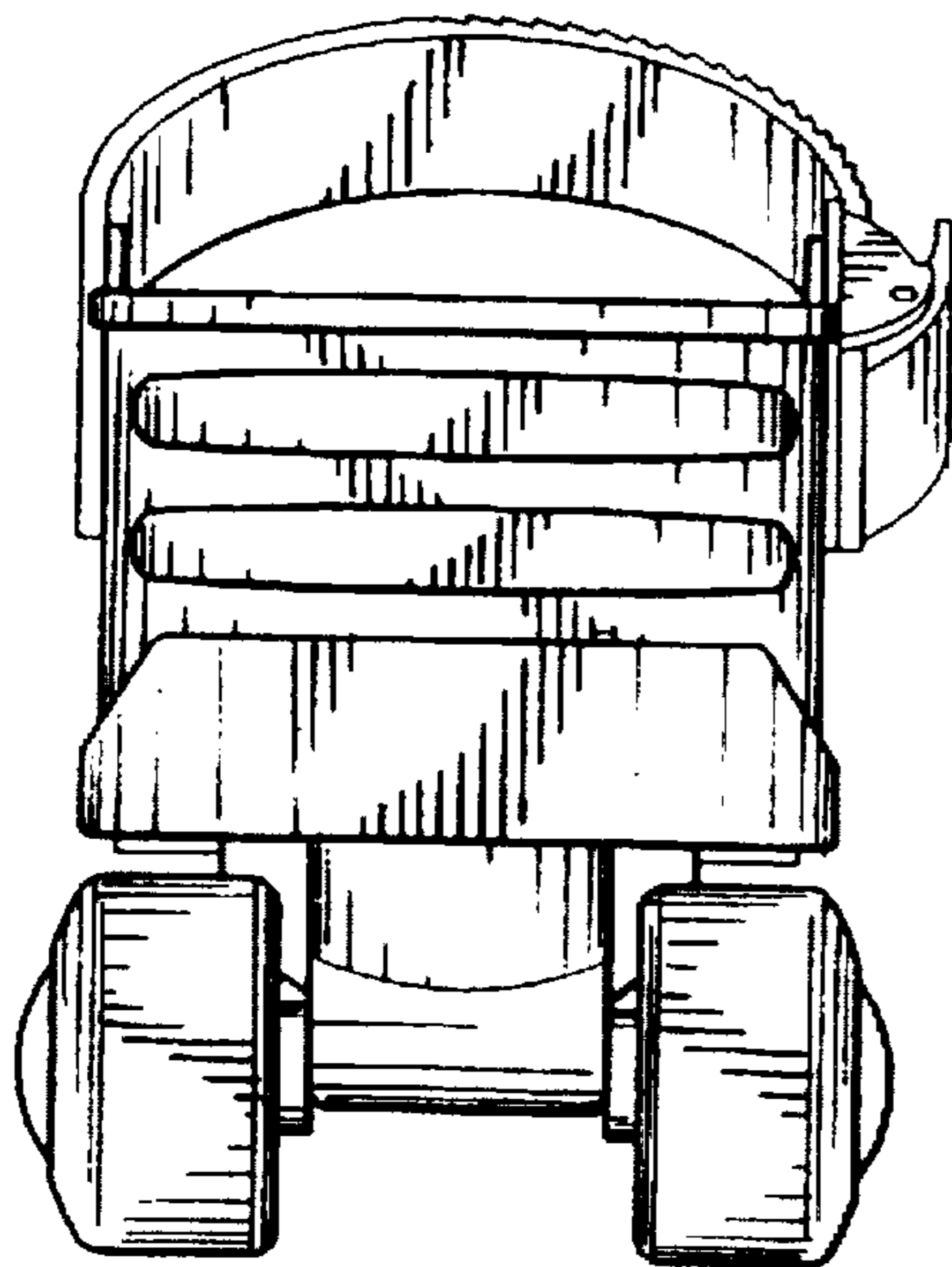


FIG. 3

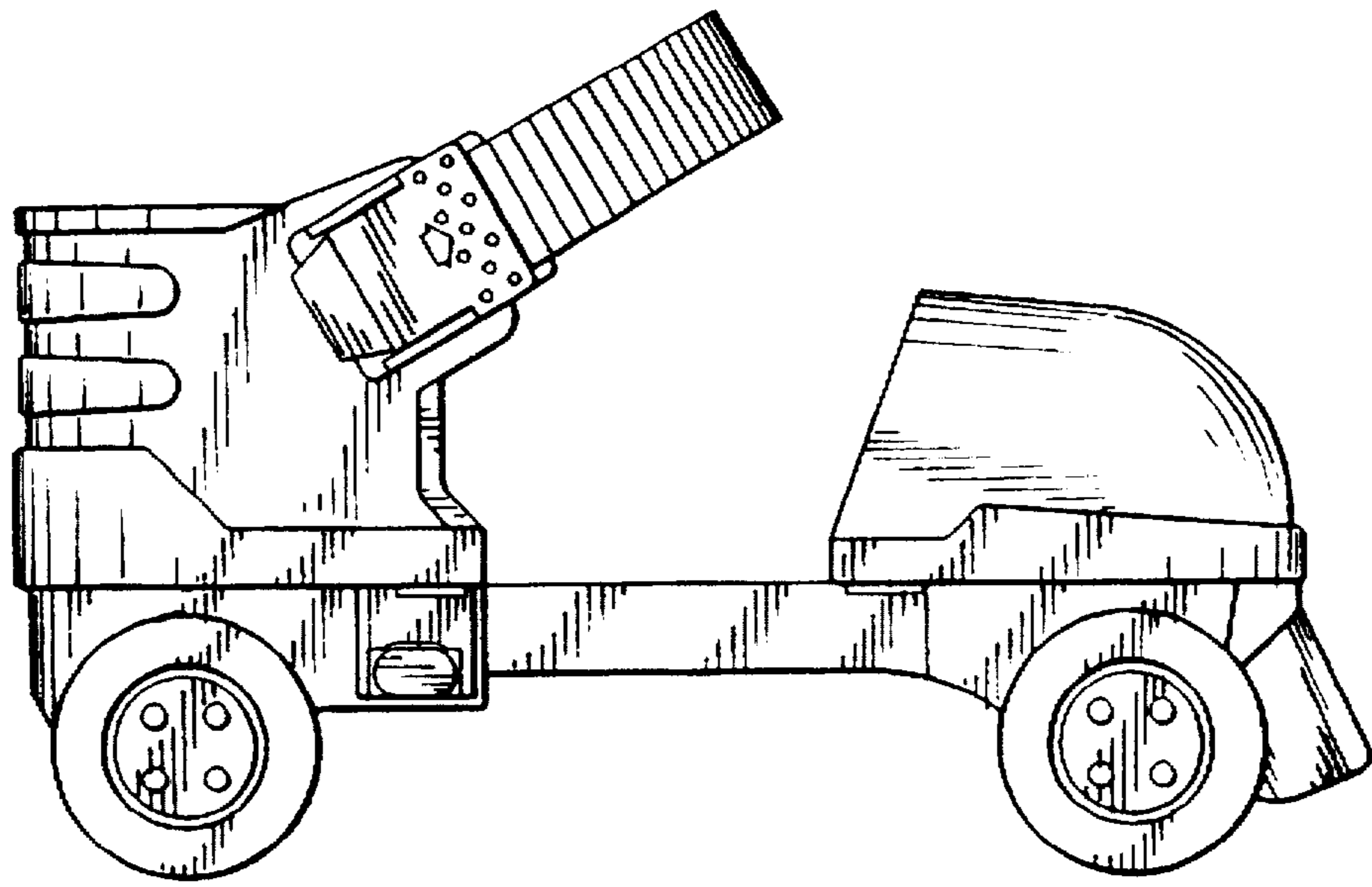


FIG. 4

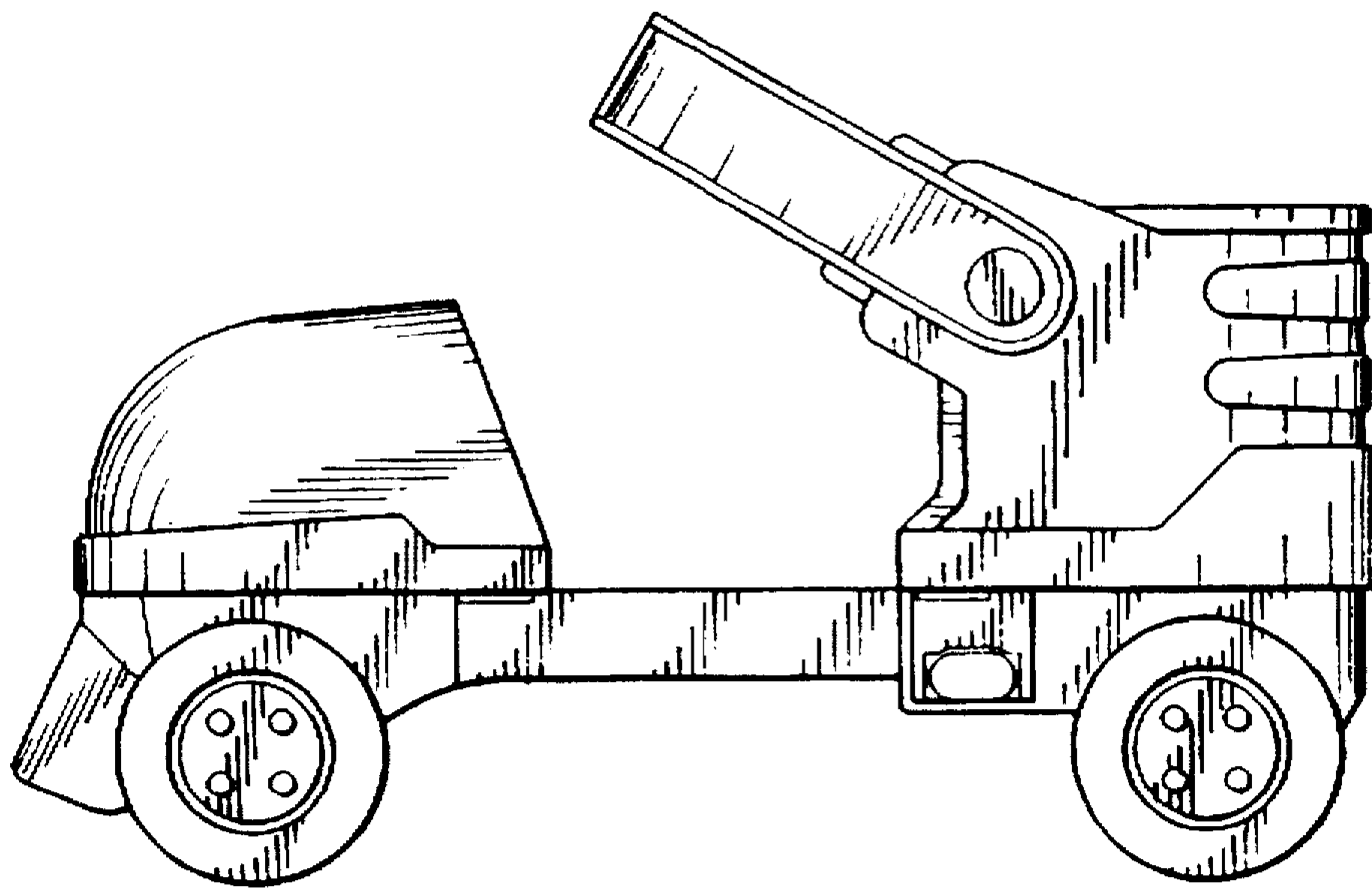


FIG. 5

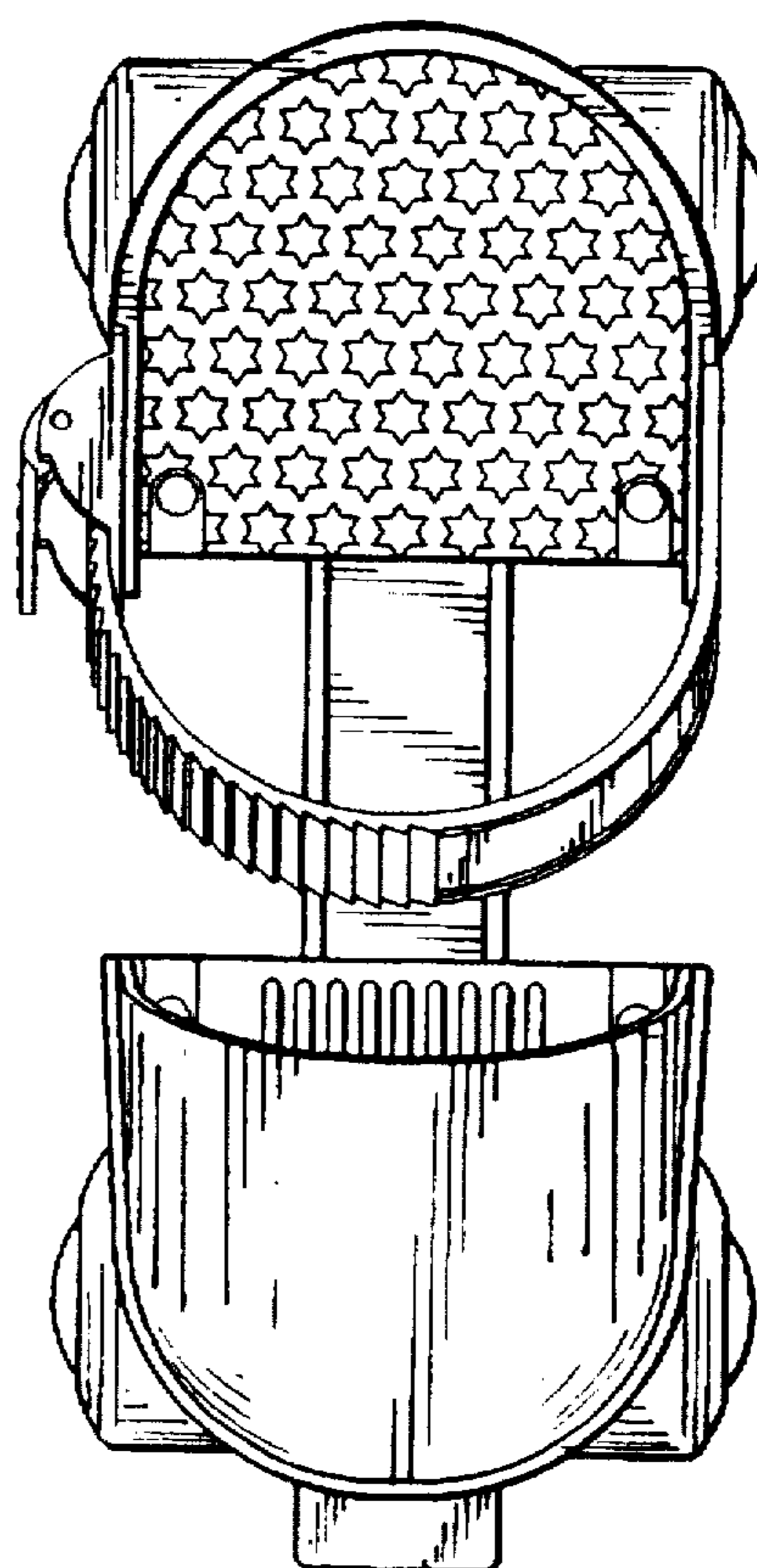


FIG. 6

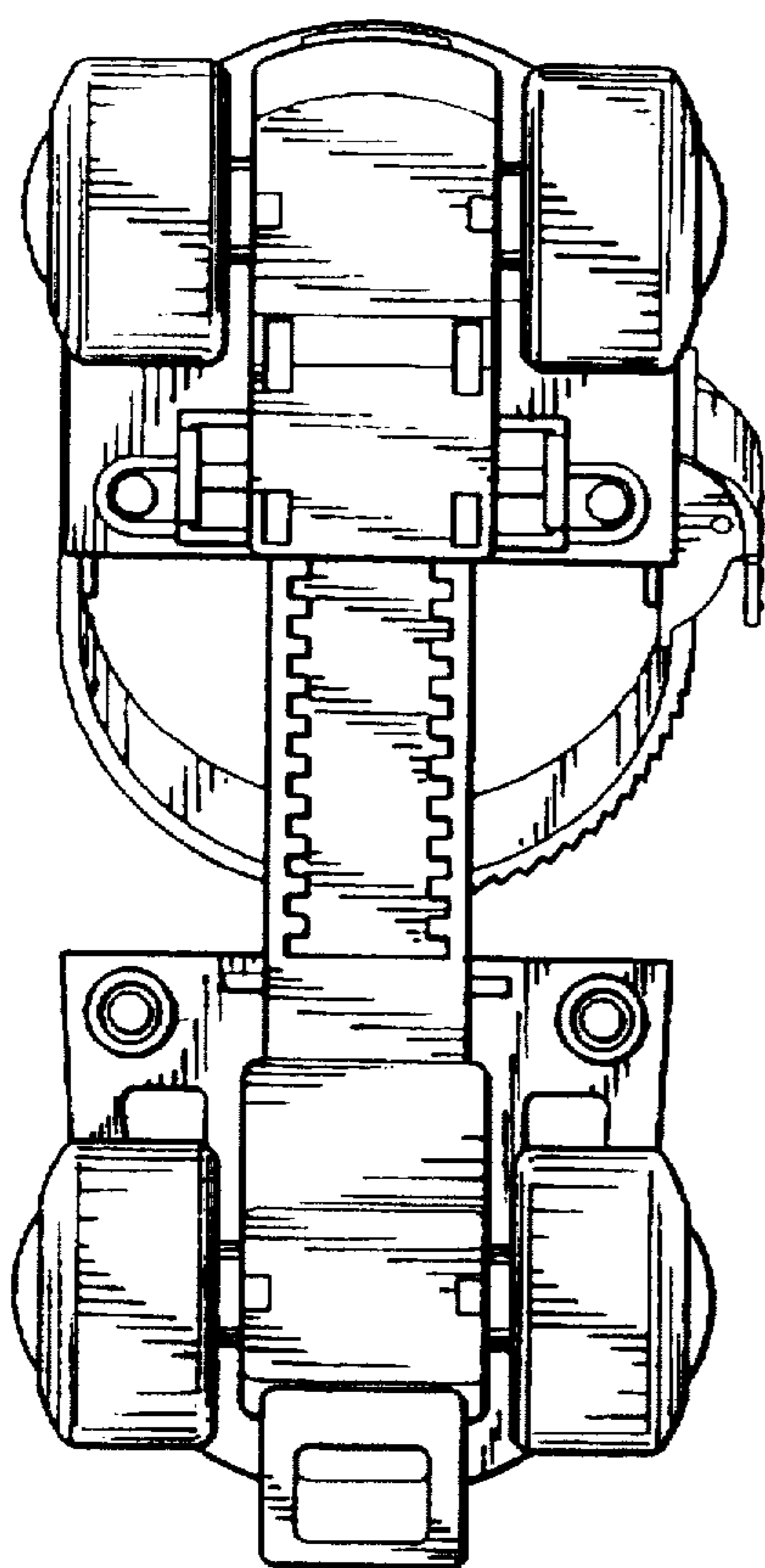


FIG. 7

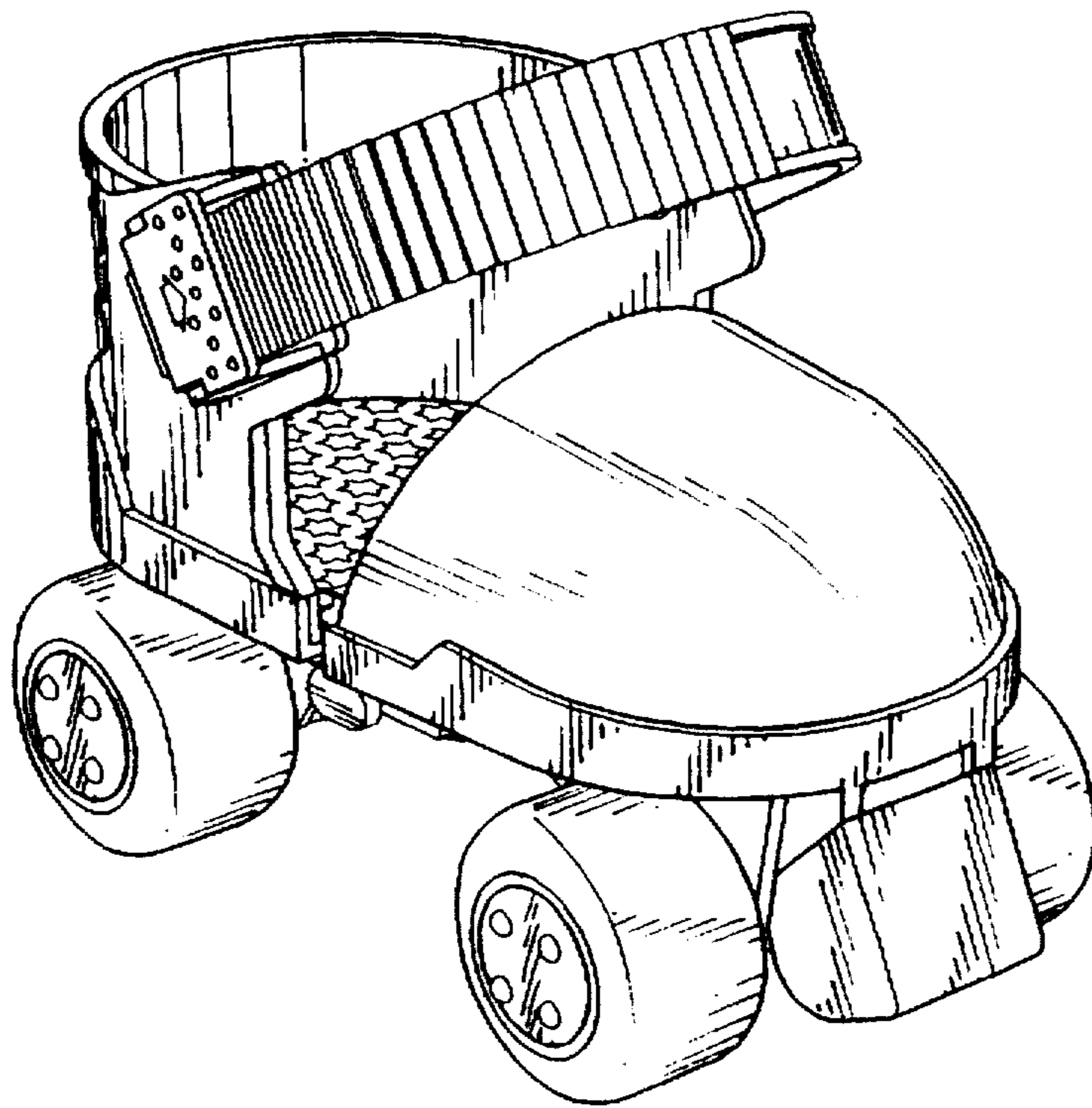


FIG. 8

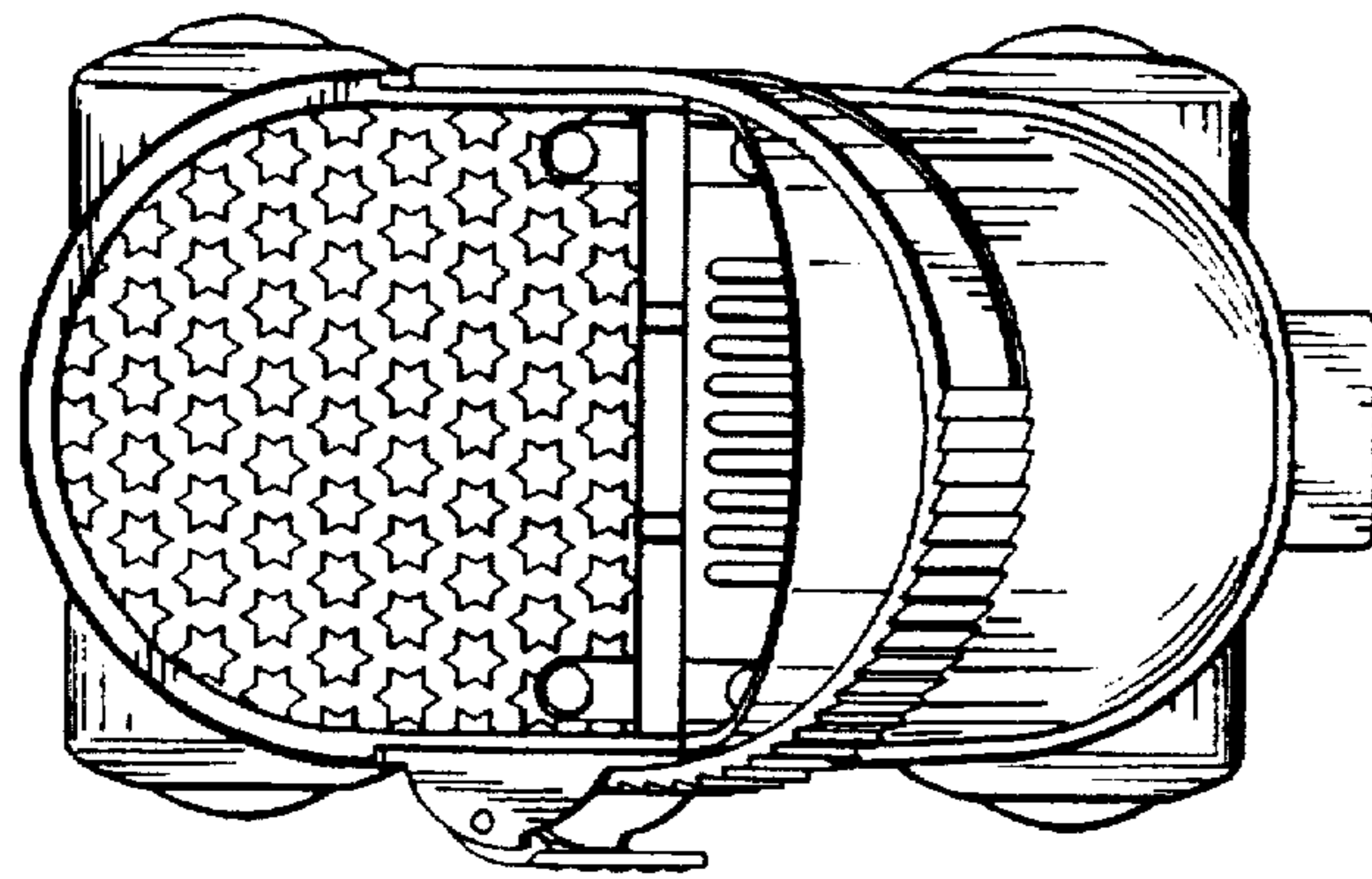


FIG. 9

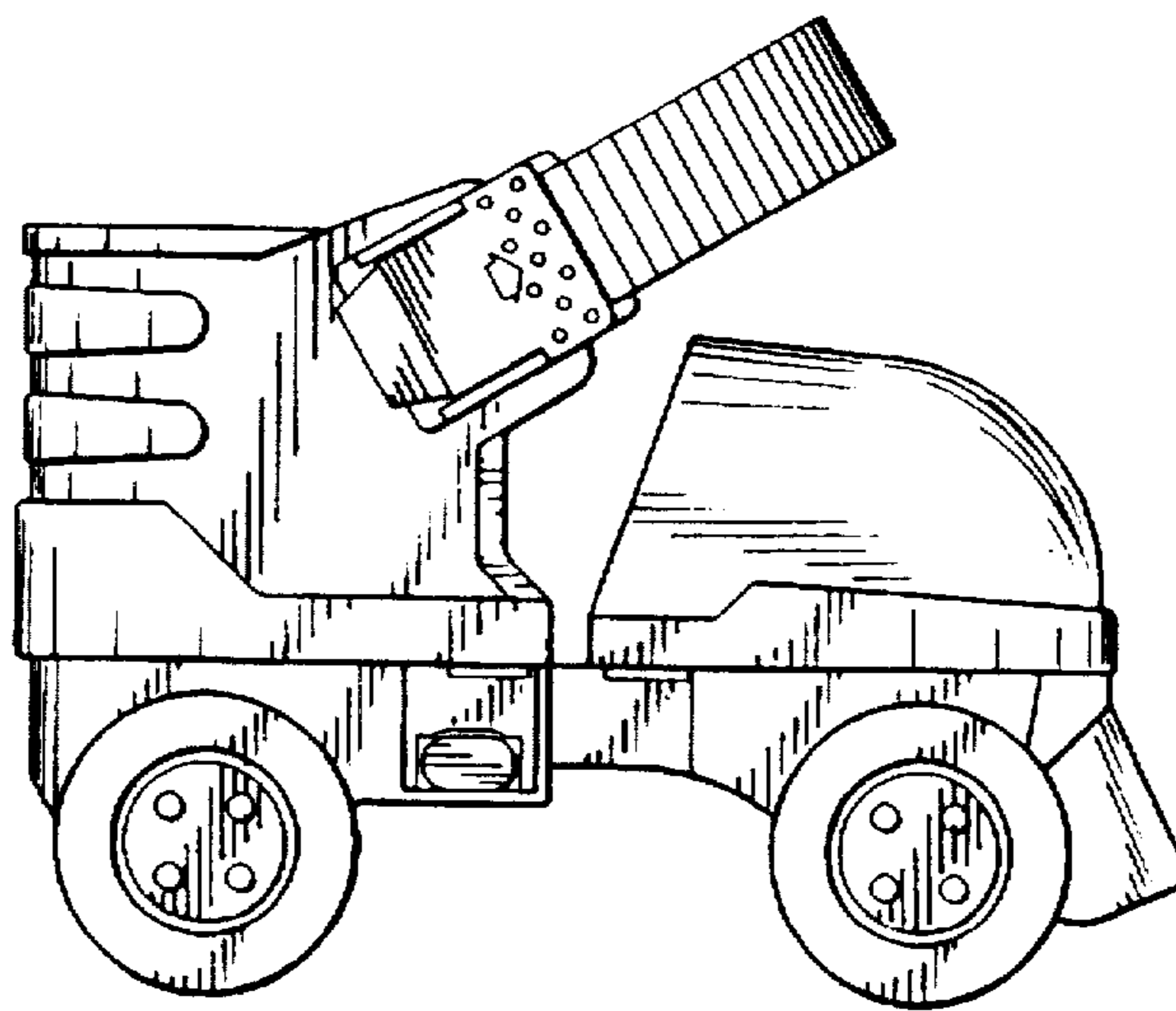


FIG. 10

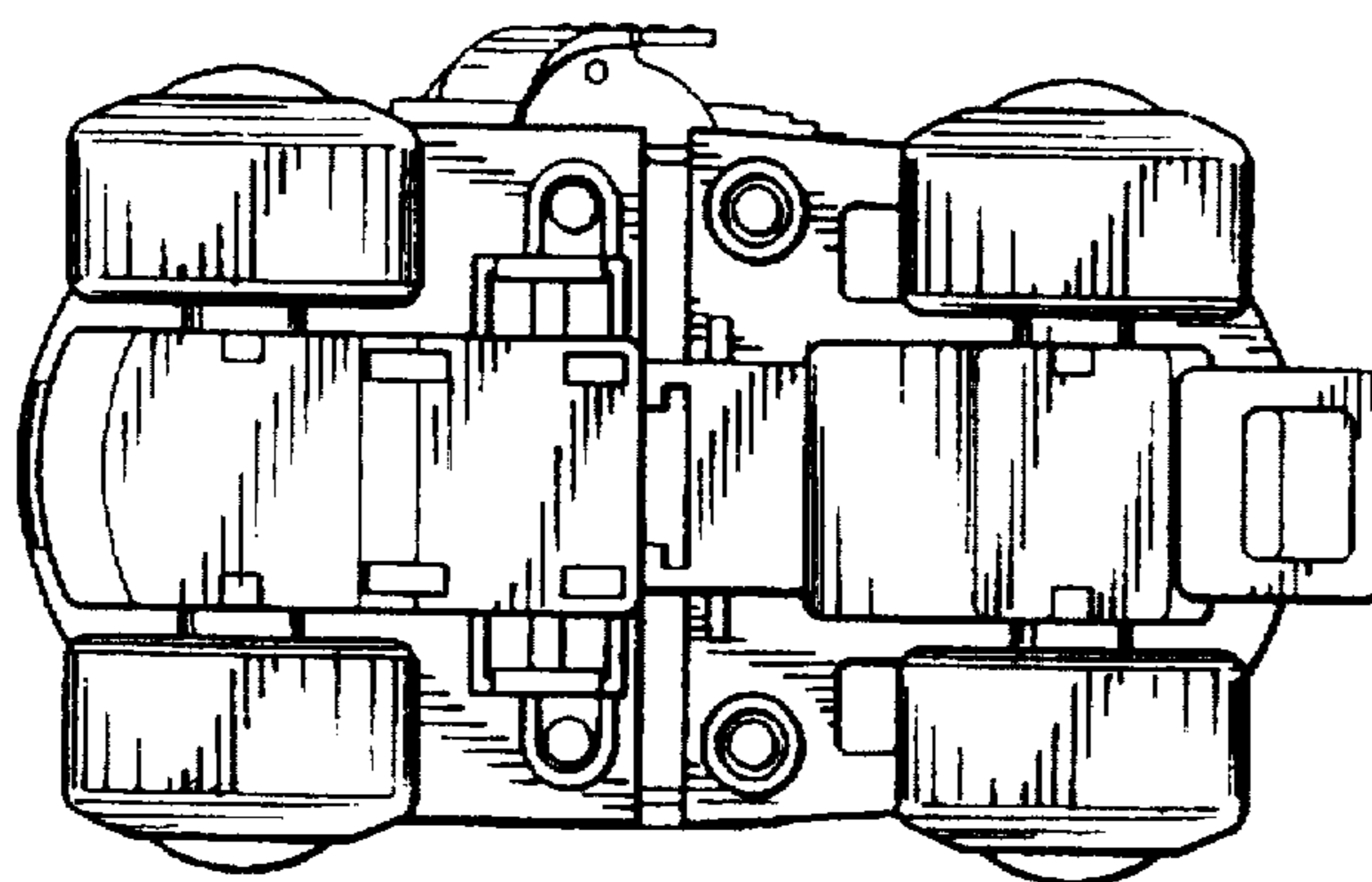


FIG. 11