



US00D396510S

United States Patent [19]
Marney

[11] **Patent Number:** **Des. 396,510**
[45] **Date of Patent:** ****Jul. 28, 1998**

[54] **WRIST SUPPORTING WEIGHT TRAINING
LAT BAR**

[76] **Inventor:** **Marvin Marney**, 188 Wilton Dr., #2,
Campbell, Calif. 95008

[**] **Term:** **14 Years**

[21] **Appl. No.:** **64,778**

[22] **Filed:** **Jan. 10, 1997**

Related U.S. Application Data

[63] **Continuation-in-part of Ser. No. 603,443, Feb. 20, 1996,**
abandoned.

[51] **LOC (6) Cl.** **21-02**

[52] **U.S. Cl.** **D21/198**

[58] **Field of Search** **D21/191, 192,**
D21/196, 197, 198, 195; 482/98, 99, 92,
93, 94, 148

[56] **References Cited**

U.S. PATENT DOCUMENTS

D. 262,730	1/1982	Lambert, Jr. et al.	D21/198
D. 262,814	1/1982	Lambert, Jr. et al.	D21/198
D. 262,815	1/1982	Lambert, Jr. et al.	D21/198
4,900,018	2/1990	Ish, III et al.	482/98
5,135,451	8/1992	Chen	482/99
5,221,245	6/1993	Yeh	482/99
5,588,942	12/1996	Dillard	482/92

OTHER PUBLICATIONS

Body Builders Discount Outlet Catalog, 1995, p. 41 and 42,
Cable attachment bars.

Primary Examiner—Philip S. Hyder

Attorney, Agent, or Firm—Carol D. Titus; James J. Leary

[57] **CLAIM**

The ornamental design for a wrist supporting weight training
lat bar, as shown and described.

DESCRIPTION

FIG. 1 is a perspective view of the wrist supporting weight
training lat bar;

FIG. 2 is a left side view thereof;

FIG. 3 is a right side view thereof;

FIG. 4 is a top view thereof;

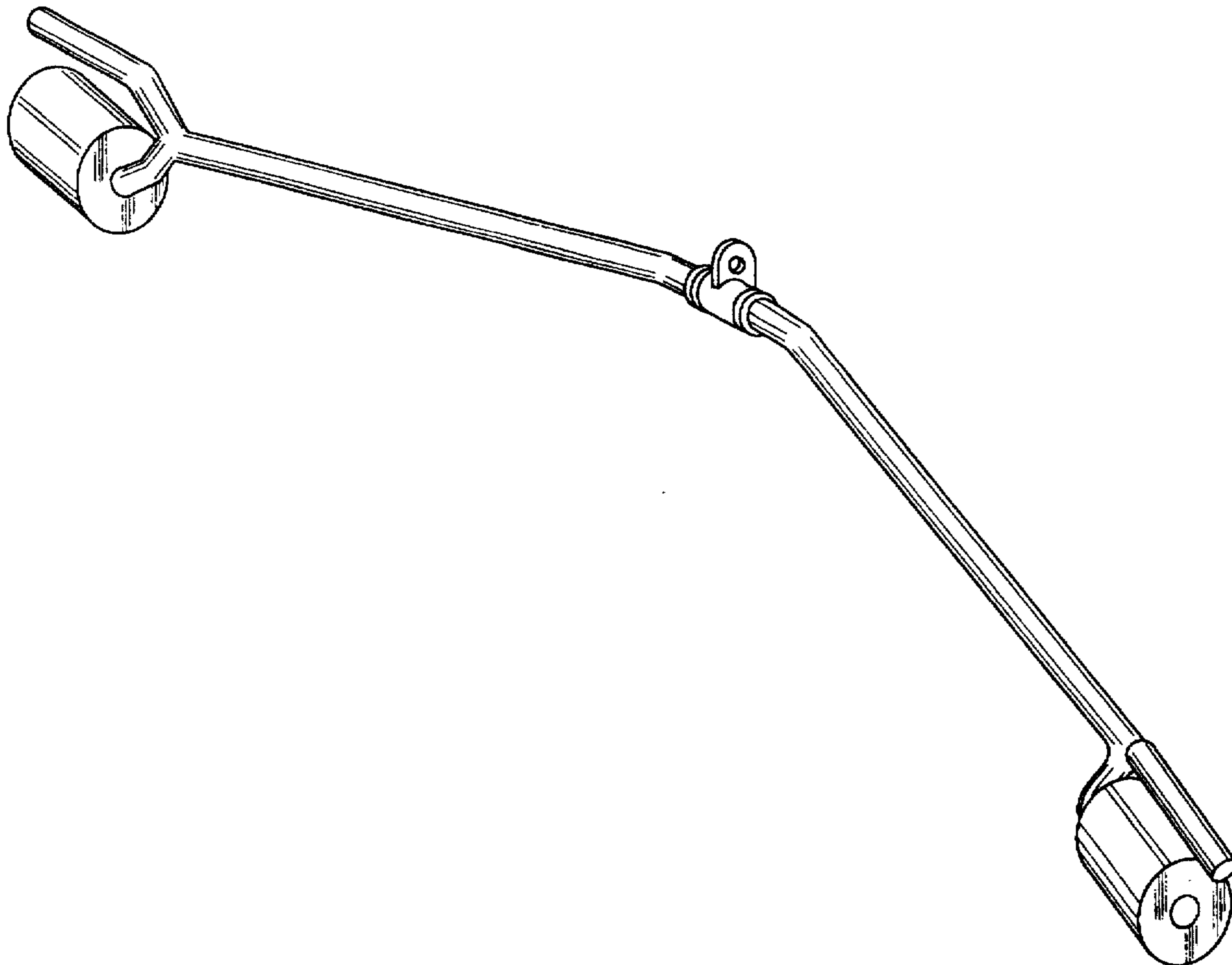
FIG. 5 is a bottom view thereof;

FIG. 6 is a back view thereof, the broken line showing of a
user's hands and forearms is for illustrative purposes only
and forms no part of the claimed design;

FIG. 7 is a front view thereof, the broken line showing of a
user's hands and forearms is for illustrative purposes only
and forms no part of the claimed design; and,

FIG. 8 is a cross-sectional view of the grip portion thereof,
taken along line 8—8 of FIG. 6 the broken line showing of
a user's hands and forearms is for illustrative purposes only
and forms no part of the claimed design.

1 Claim, 3 Drawing Sheets



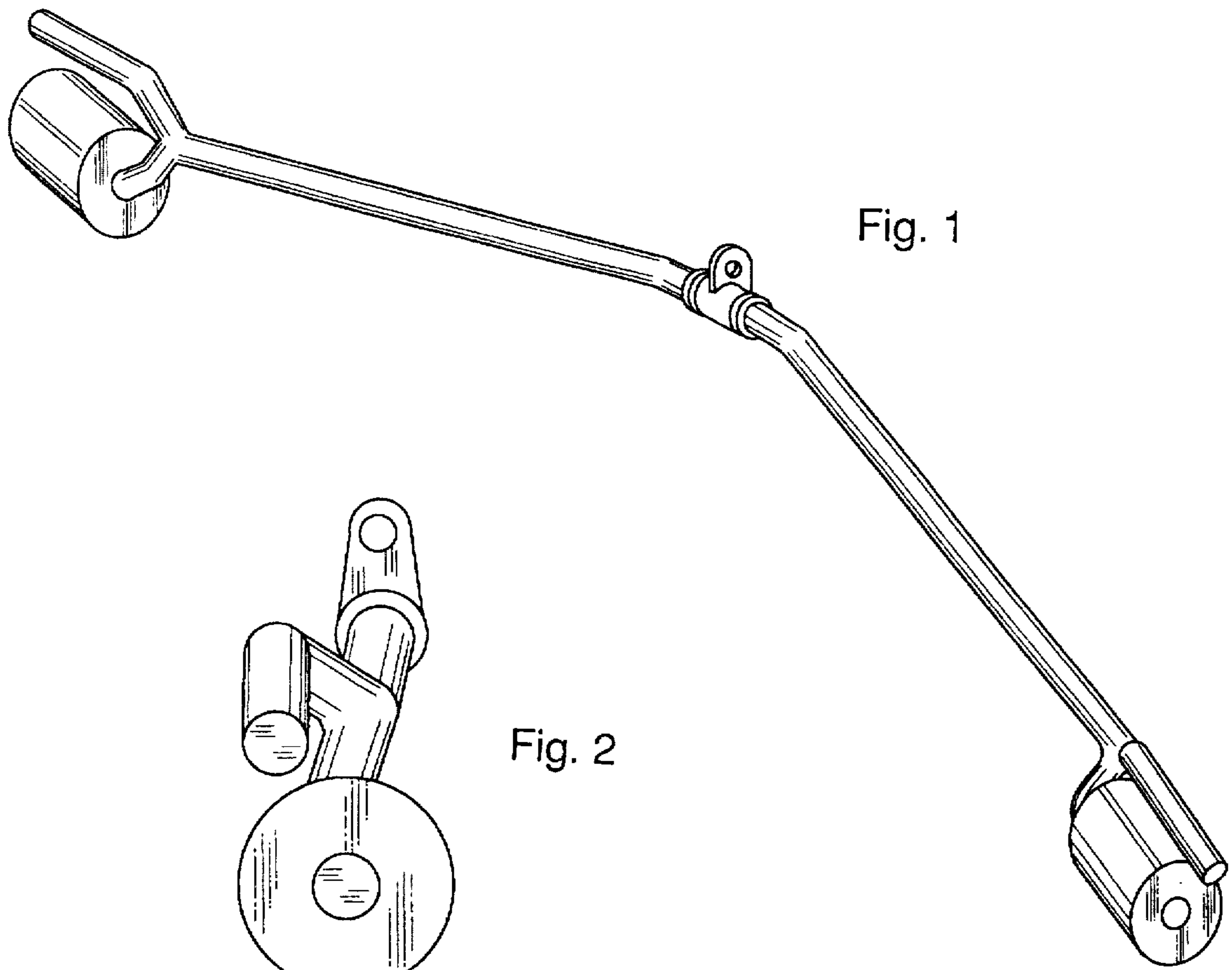


Fig. 1

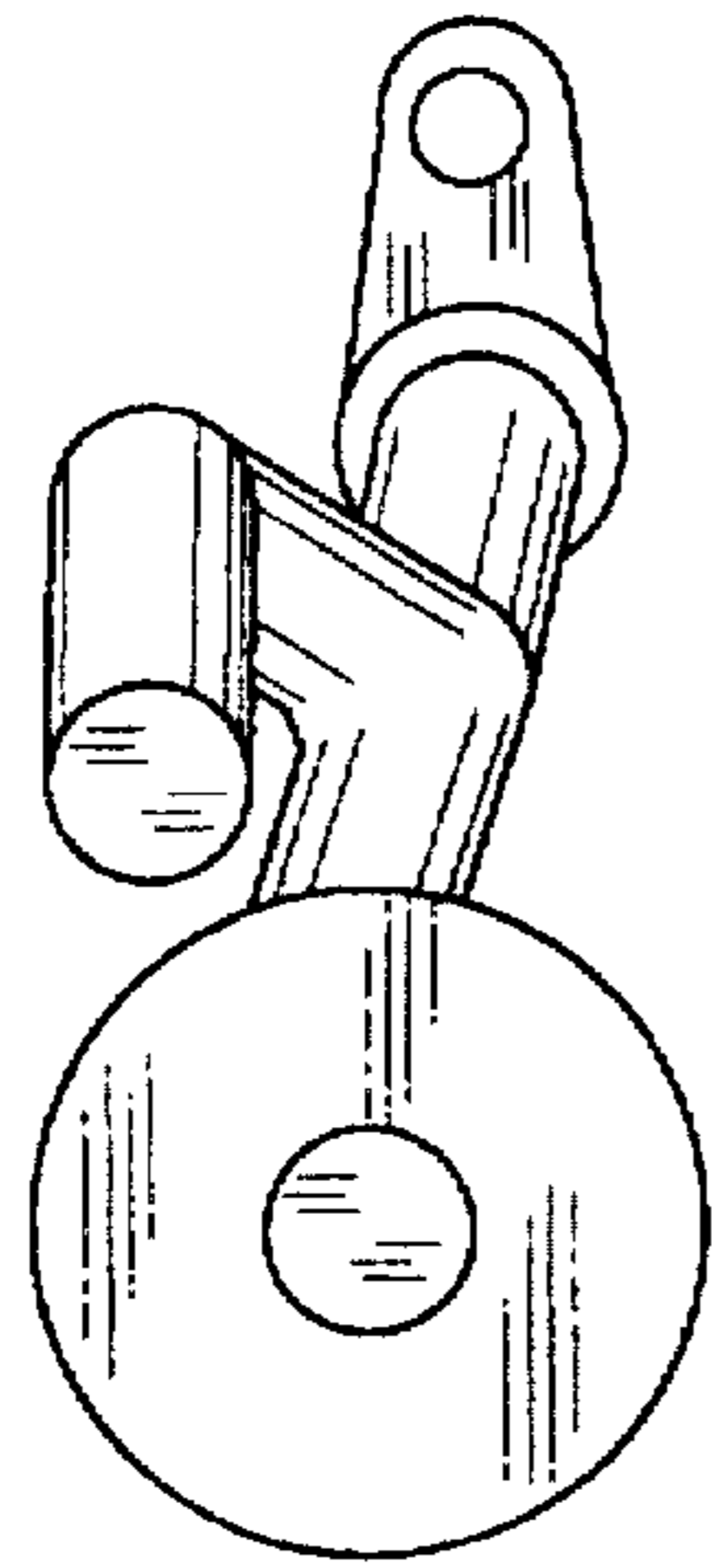


Fig. 2

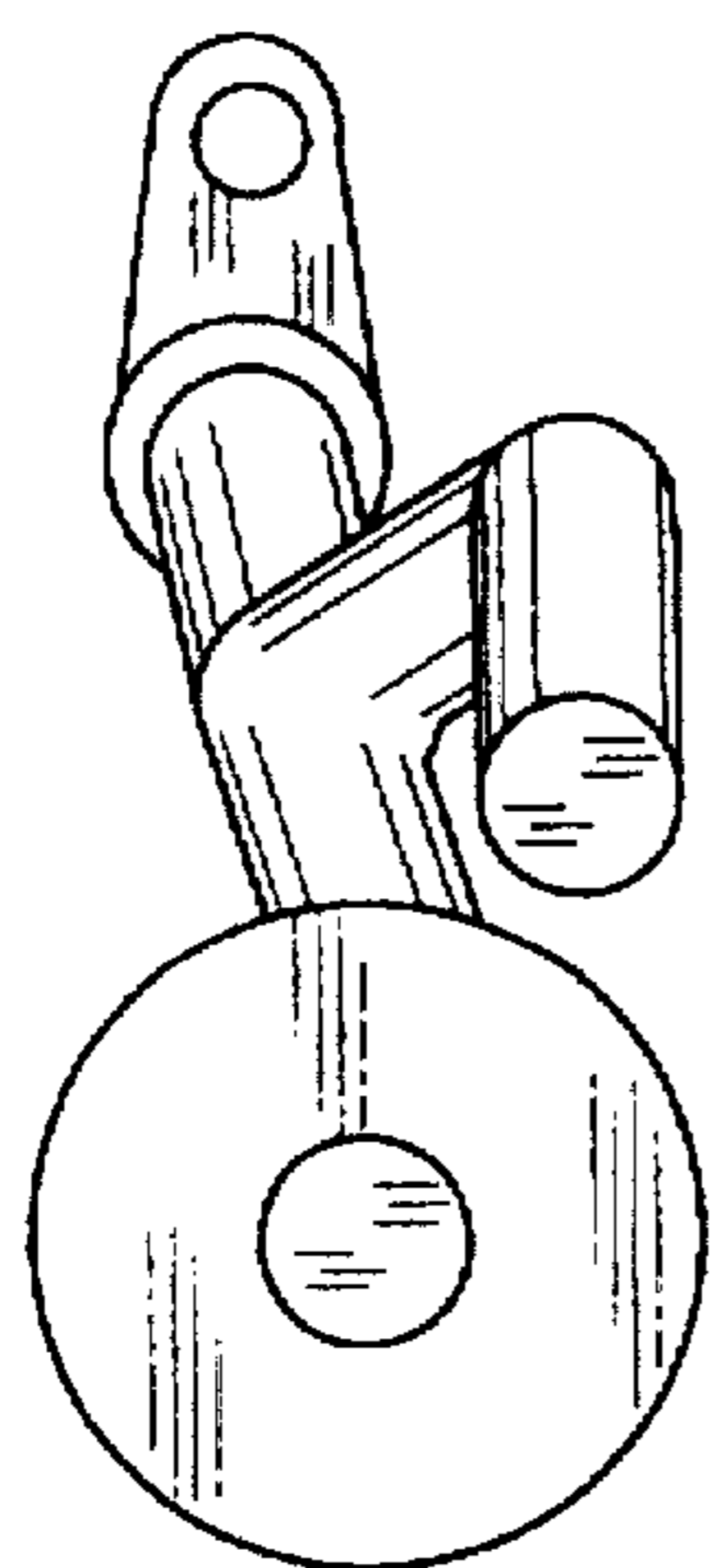


Fig. 3

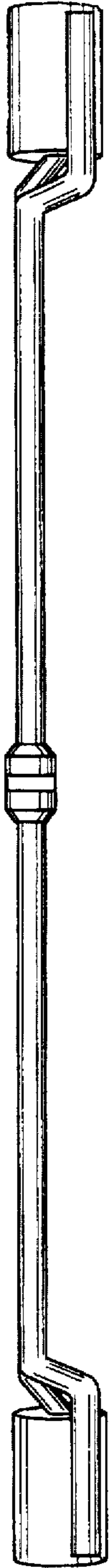


Fig. 4



Fig. 5

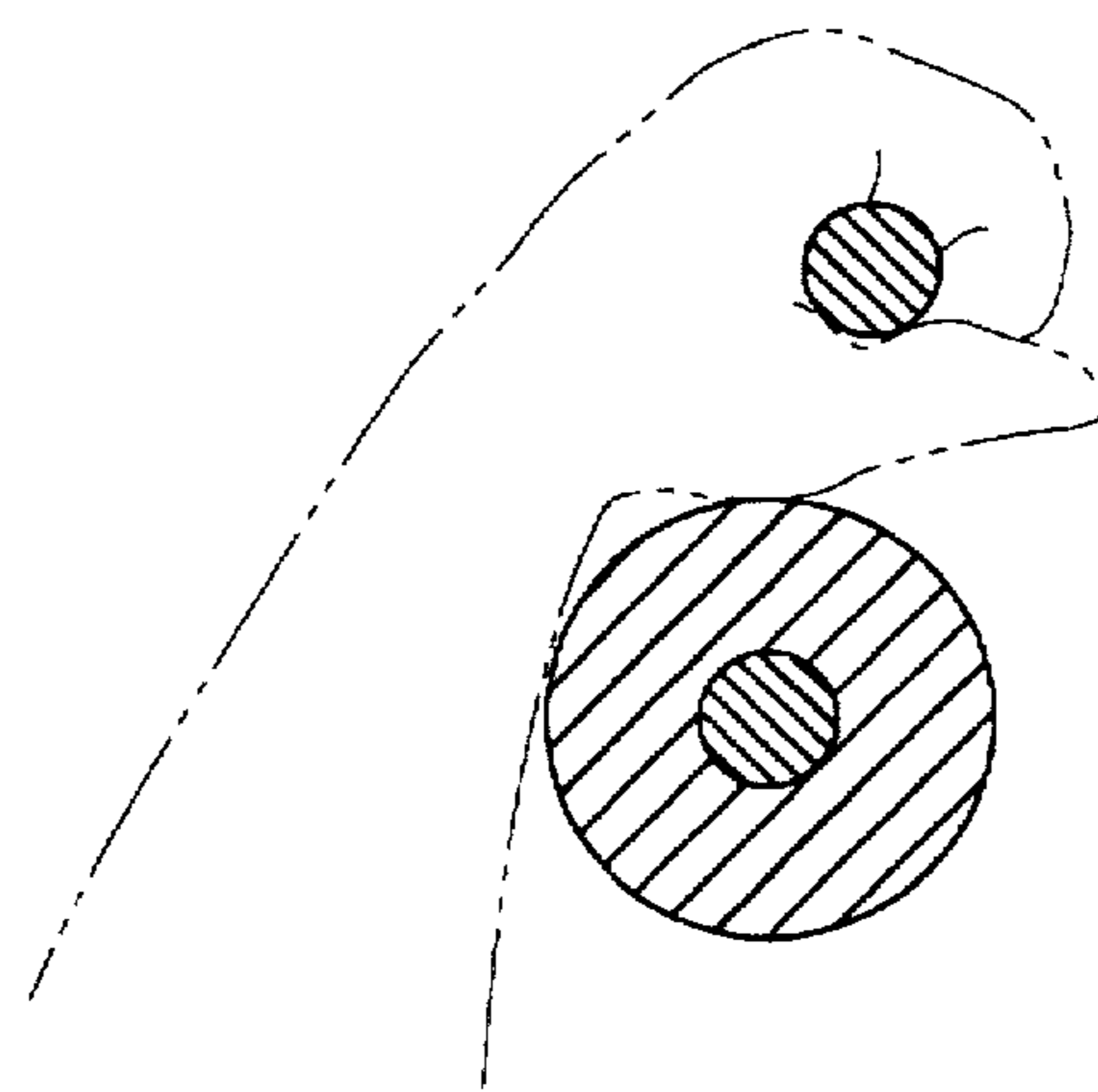
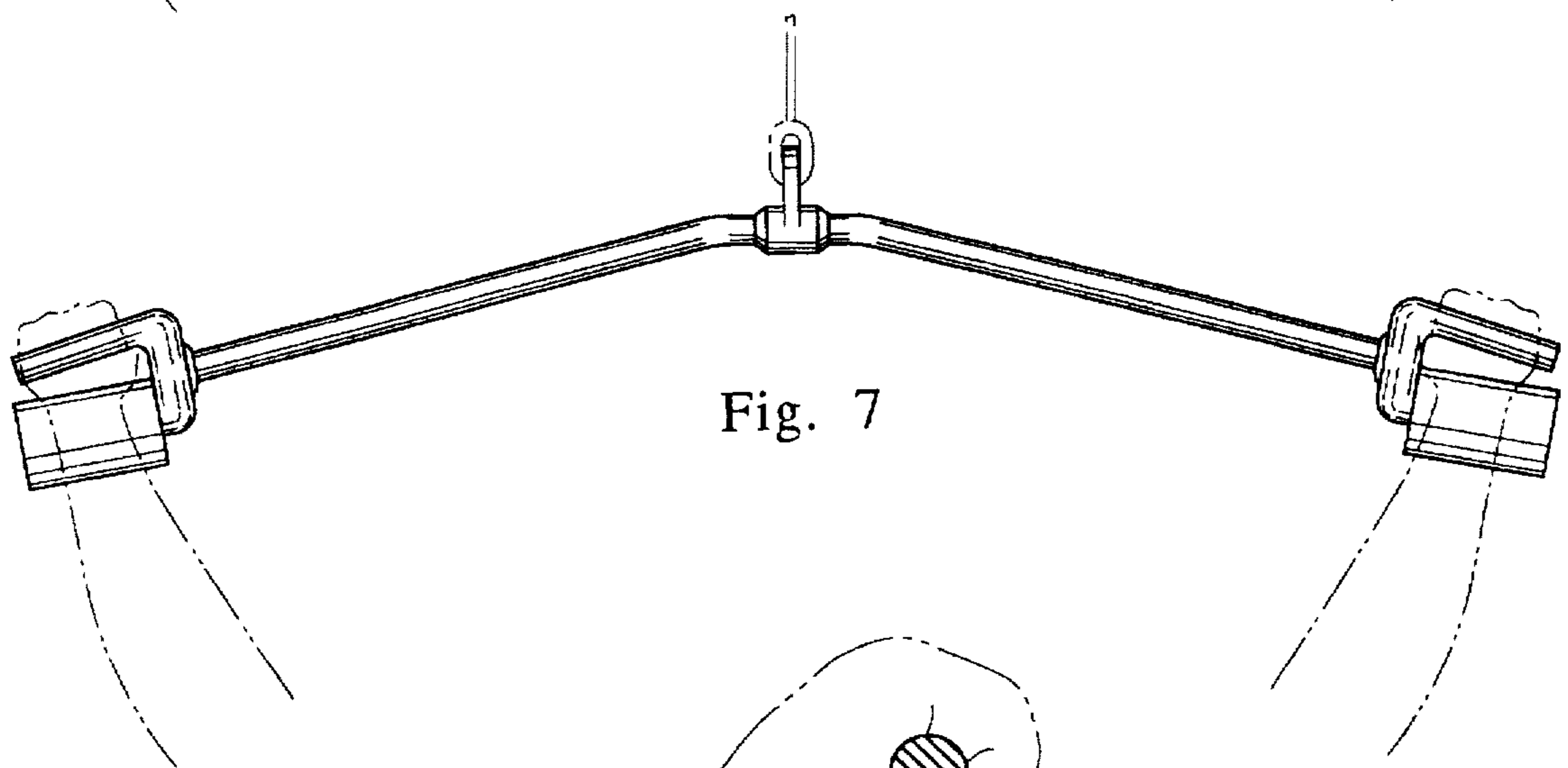
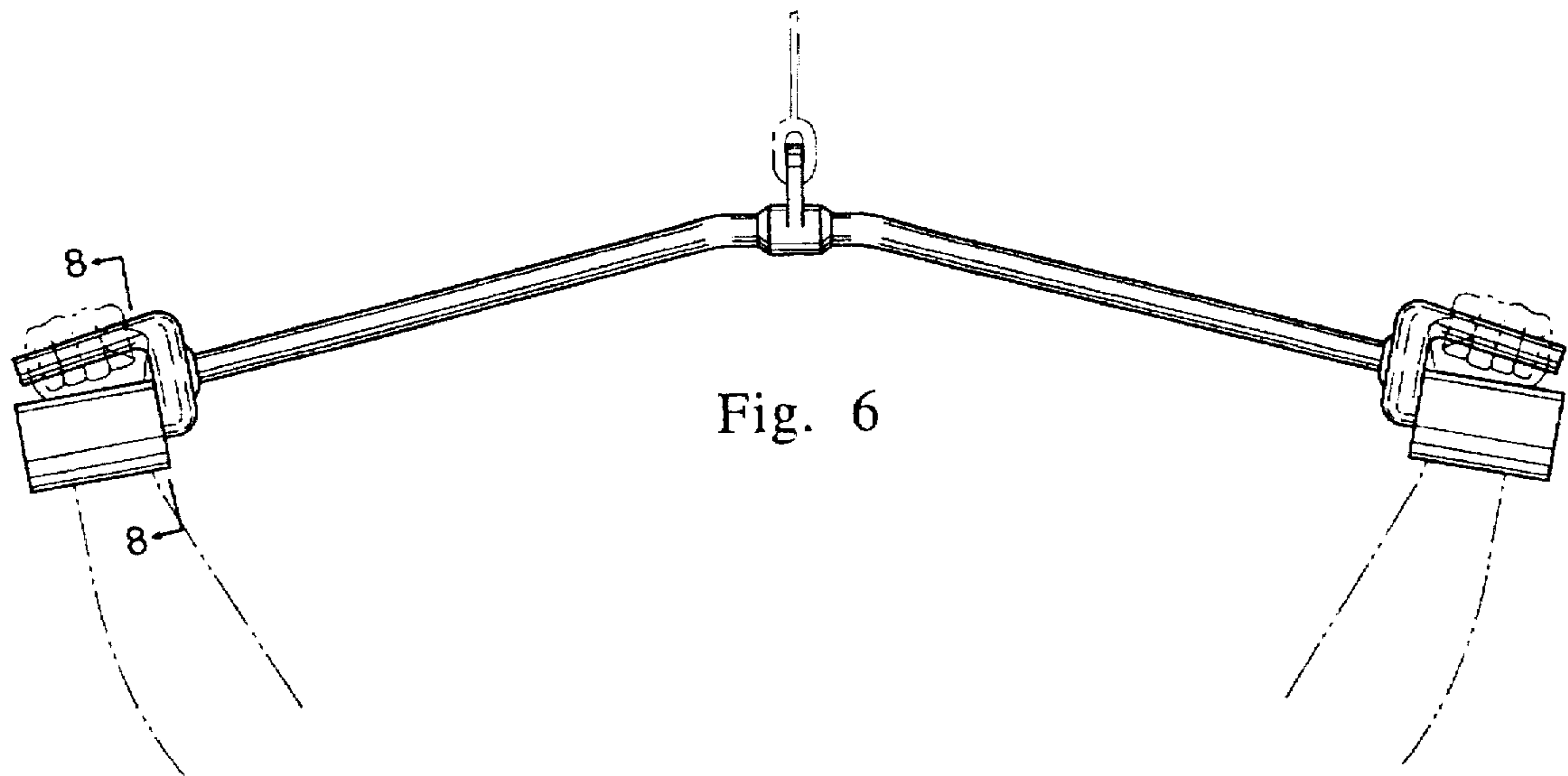


Fig. 8