



US00D396509S

# United States Patent [19]

Sands et al.

[11] Patent Number: **Des. 396,509**

[45] Date of Patent: **\*\*Jul. 28, 1998**

[54] **EXERCISER**

[76] Inventors: **Leonard Sands**, 4555 Reseda Blvd., Tarzana, Calif. 91356; **Johnson Kuo**, 5F. No. 6, Lane 12, Sec. 6, Hsin I Rd., Taipei, Taiwan

[\*\*] Term: **14 Years**

[21] Appl. No.: **72,808**

[22] Filed: **Jul. 2, 1997**

[51] LOC (6) Cl. .... **21-02**

[52] U.S. Cl. .... **D21/191; D21/194; D21/195**

[58] Field of Search ..... **D21/191, 194, D21/195; 482/51, 57, 131, 52, 53, 54, 70, 142**

[56] **References Cited**

**U.S. PATENT DOCUMENTS**

- D. 355,684 2/1995 Rawls et al. .... D21/191
- D. 357,041 4/1995 McBride et al. .... D21/195

5,445,583	8/1995	Habing .....	482/57
5,478,296	12/1995	Lee .....	482/131
5,611,758	3/1997	Rodgers, Jr. ....	482/57

*Primary Examiner*—Philip S. Hyder  
*Attorney, Agent, or Firm*—Varndell Legal Group

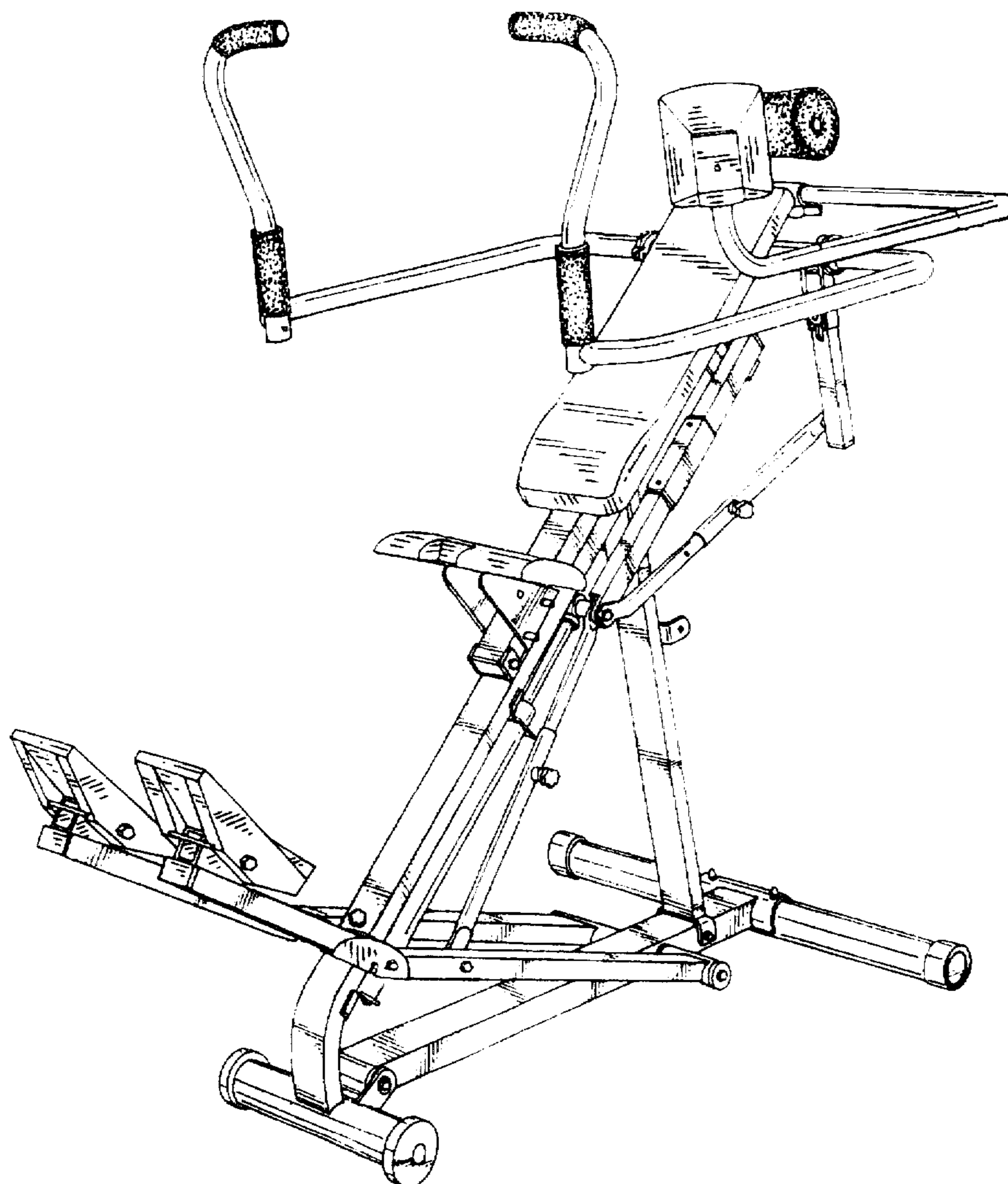
[57] **CLAIM**

The ornamental design for an exerciser, as shown and described.

**DESCRIPTION**

FIG. 1 is a perspective view of an exerciser showing our new design;  
 FIG. 2 is a front elevational view thereof;  
 FIG. 3 is a rear elevational view thereof;  
 FIG. 4 is a top plan view thereof;  
 FIG. 5 is a bottom plan view thereof;  
 FIG. 6 is a left side elevational view thereof; and,  
 FIG. 7 is a right side elevational view thereof.

**1 Claim, 7 Drawing Sheets**



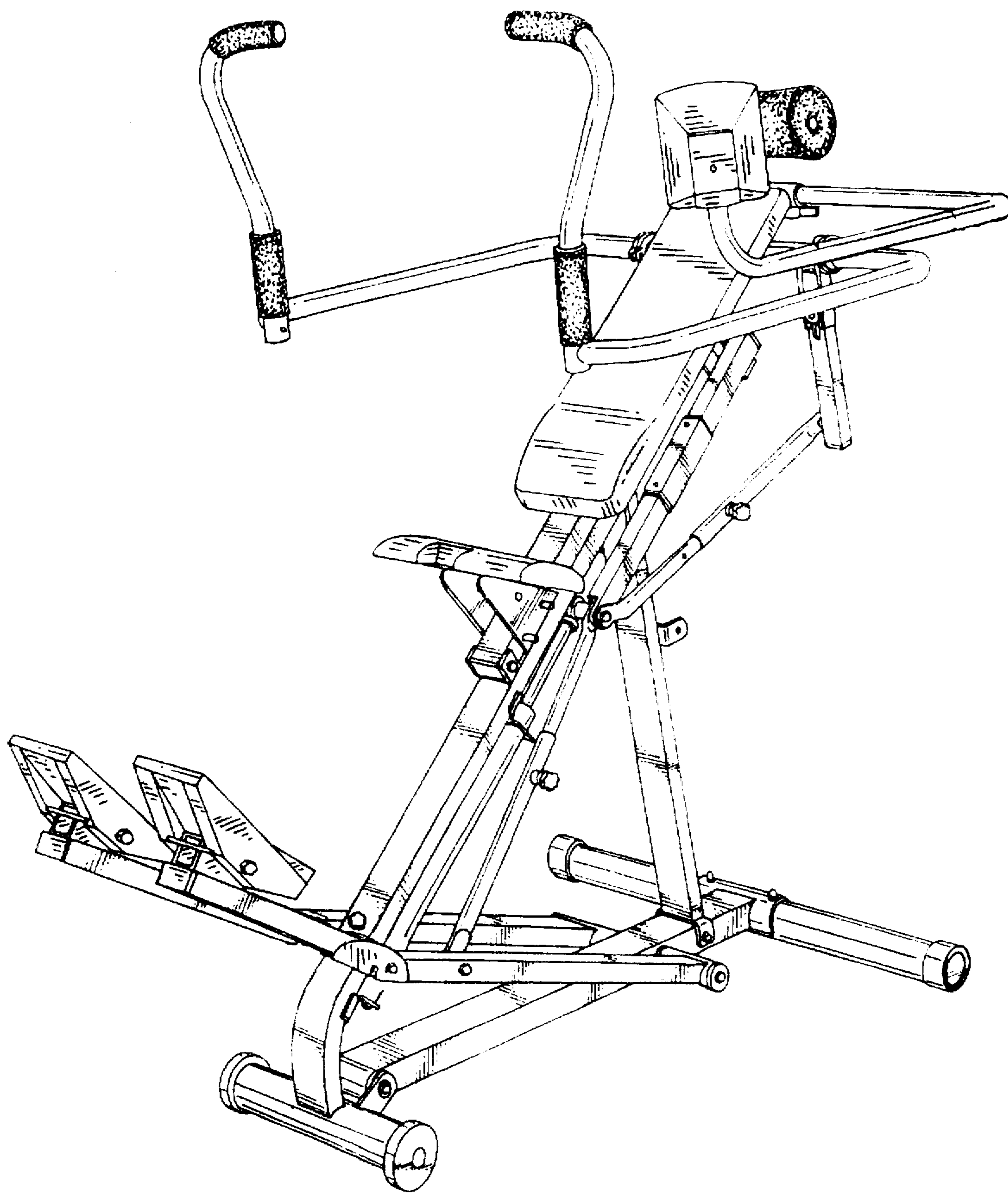


Fig. 1

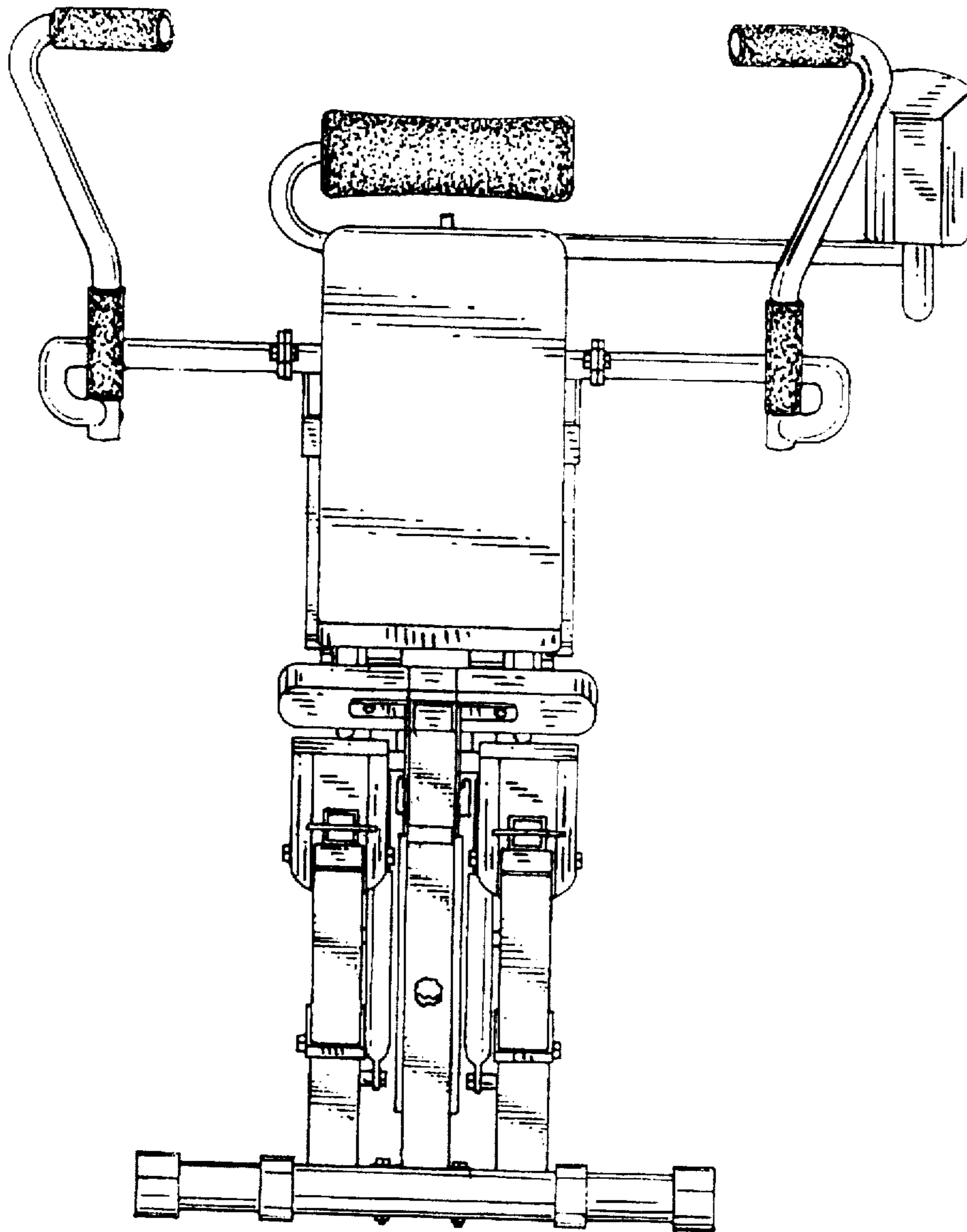


Fig. 2

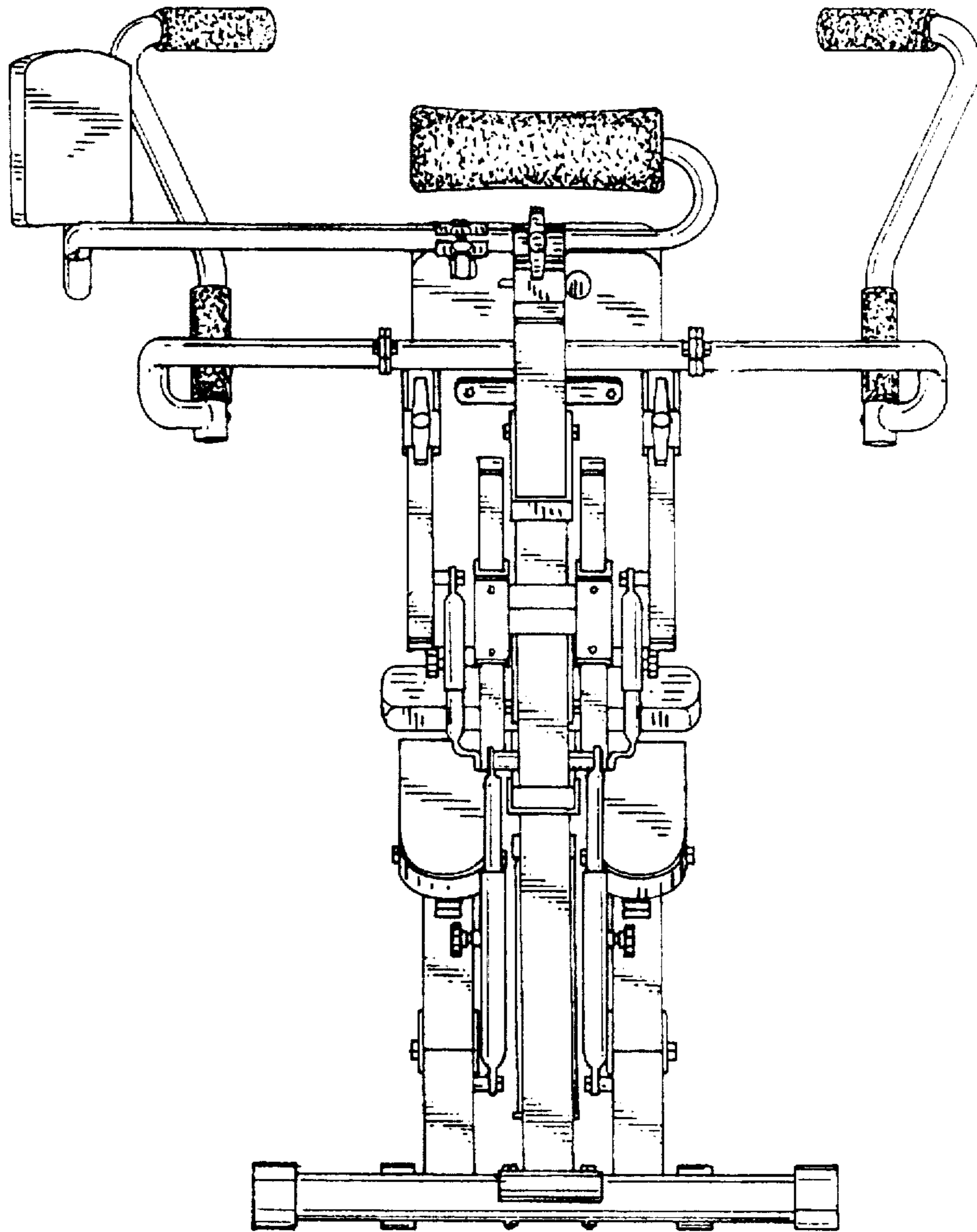


Fig. 3

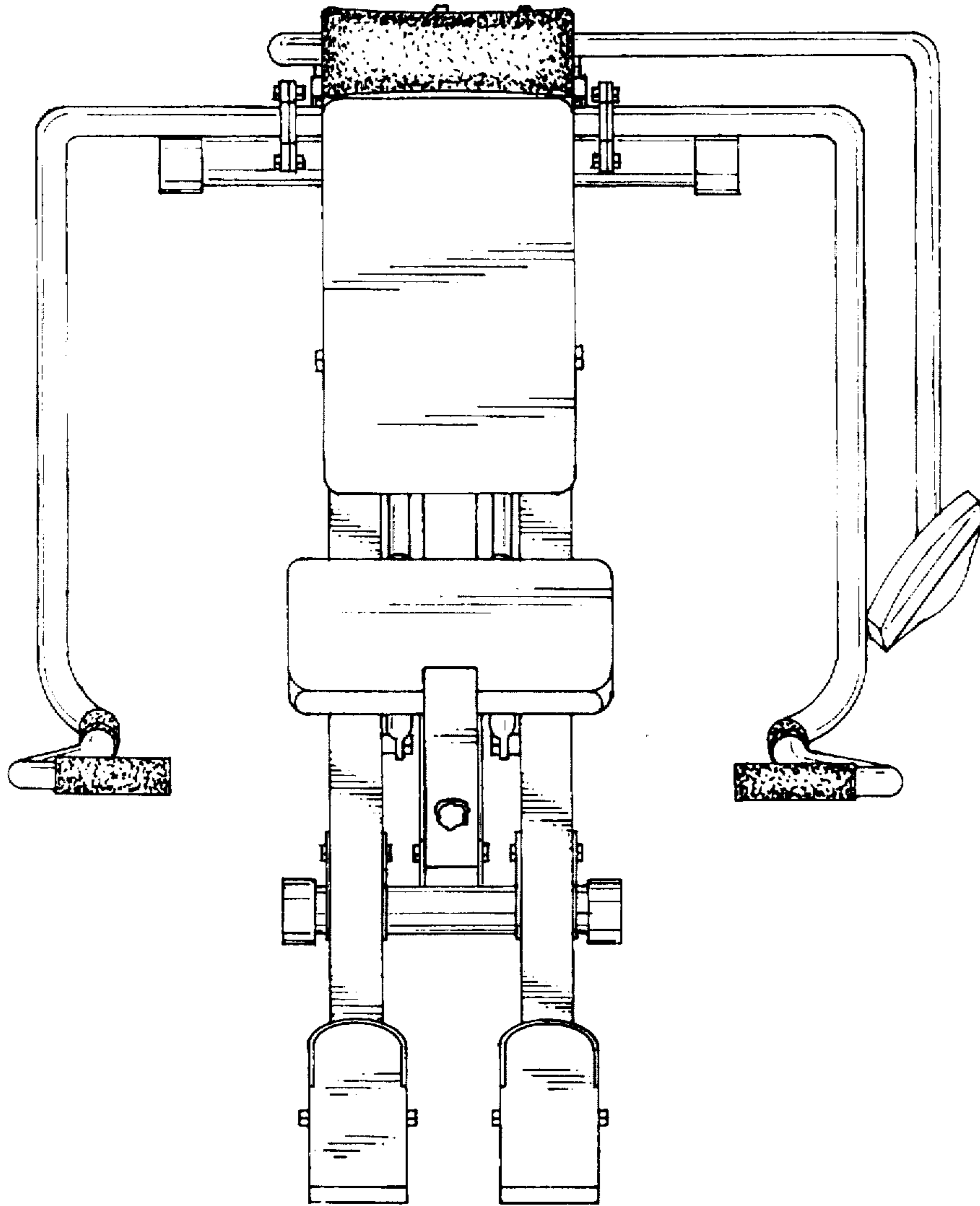


Fig. 4

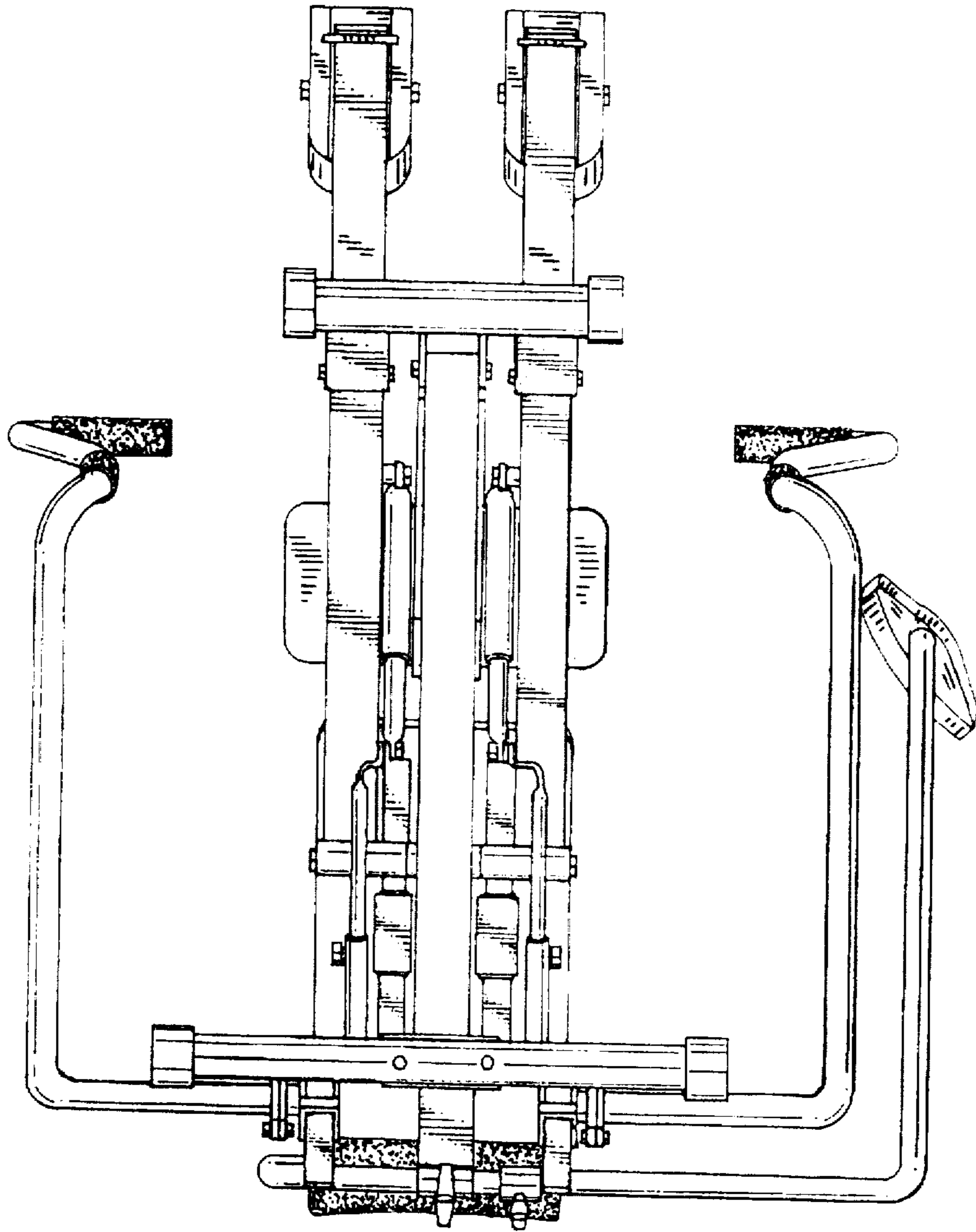


Fig. 5

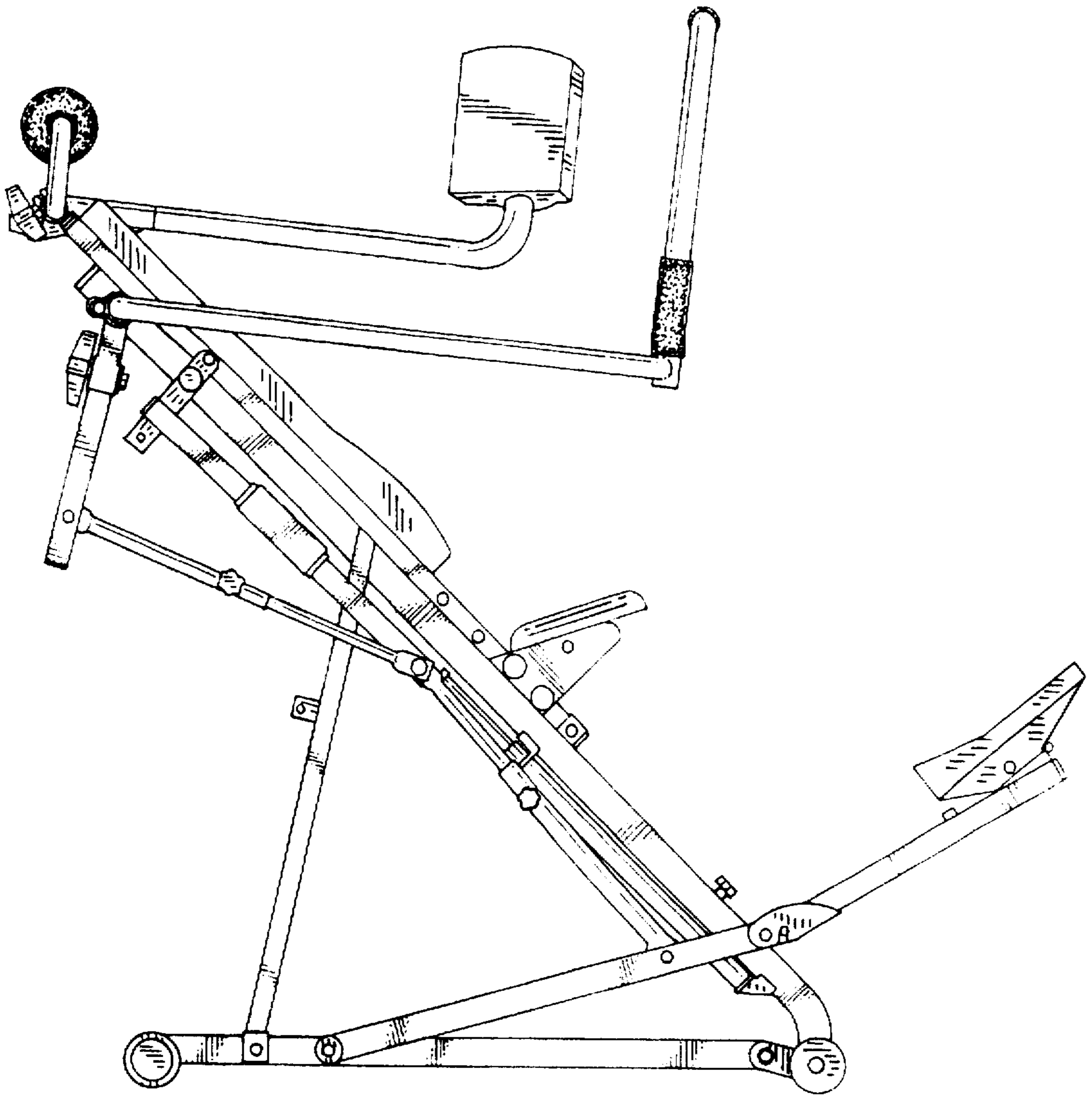


Fig. 6

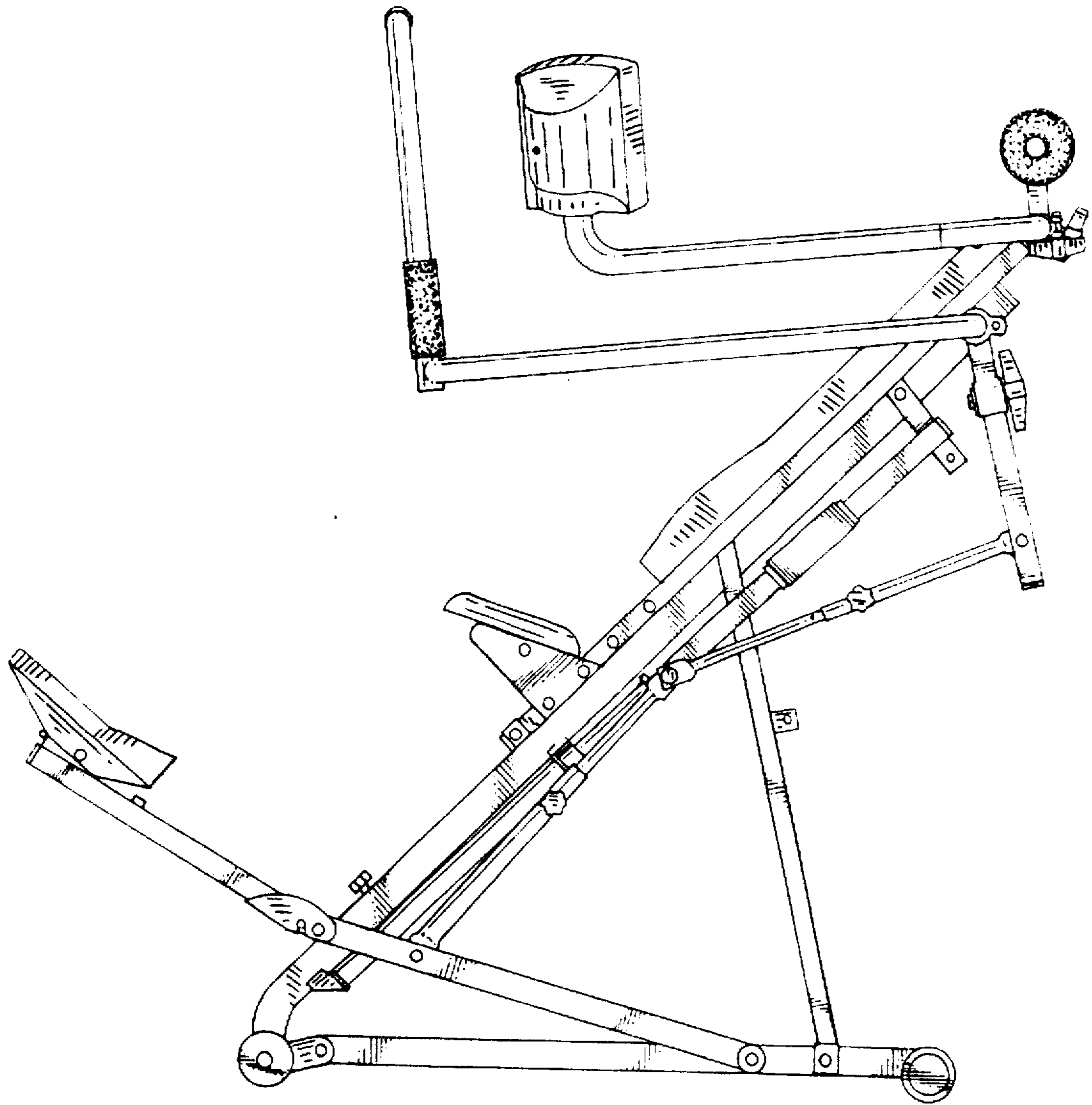


Fig. 7