



US00D396508S

United States Patent [19]
Chen

[11] **Patent Number: Des. 396,508**
[45] **Date of Patent: **Jul. 28, 1998**

[54] **COMBINATION STEP, WALK AND RUN EXERCISER**

[76] **Inventor: Chih-Liang Chen, No. 10, Lane 1431, Kuanghsing Rd., Pateh City, Taoyuan Hsien, Taiwan**

[**] **Term: 14 Years**

[21] **Appl. No.: 70,239**

[22] **Filed: May 2, 1997**

[51] **LOC (6) Cl. 21-02**

[52] **U.S. Cl. D21/194**

[58] **Field of Search D21/191, 192, D21/193, 194, 195; 482/51, 52, 70, 71, 53, 57, 58**

[56] **References Cited**

U.S. PATENT DOCUMENTS

- D. 330,236 10/1992 Jarriel et al. D21/194
- D. 353,638 12/1994 Camfield et al. D21/194
- D. 372,282 7/1996 Pasero et al. D21/194

- 5,518,473 5/1996 Miller 485/52
- 5,529,554 6/1996 Eschenbach 482/70
- 5,540,637 7/1996 Rodgers, Jr. 482/70
- 5,549,526 8/1996 Rodgers, Jr. 482/70
- 5,562,574 10/1996 Miller 482/52
- 5,577,985 11/1996 Miller 482/51

Primary Examiner—Philip S. Hyder
Attorney, Agent, or Firm—Gardere & Wynne, L.L.P.

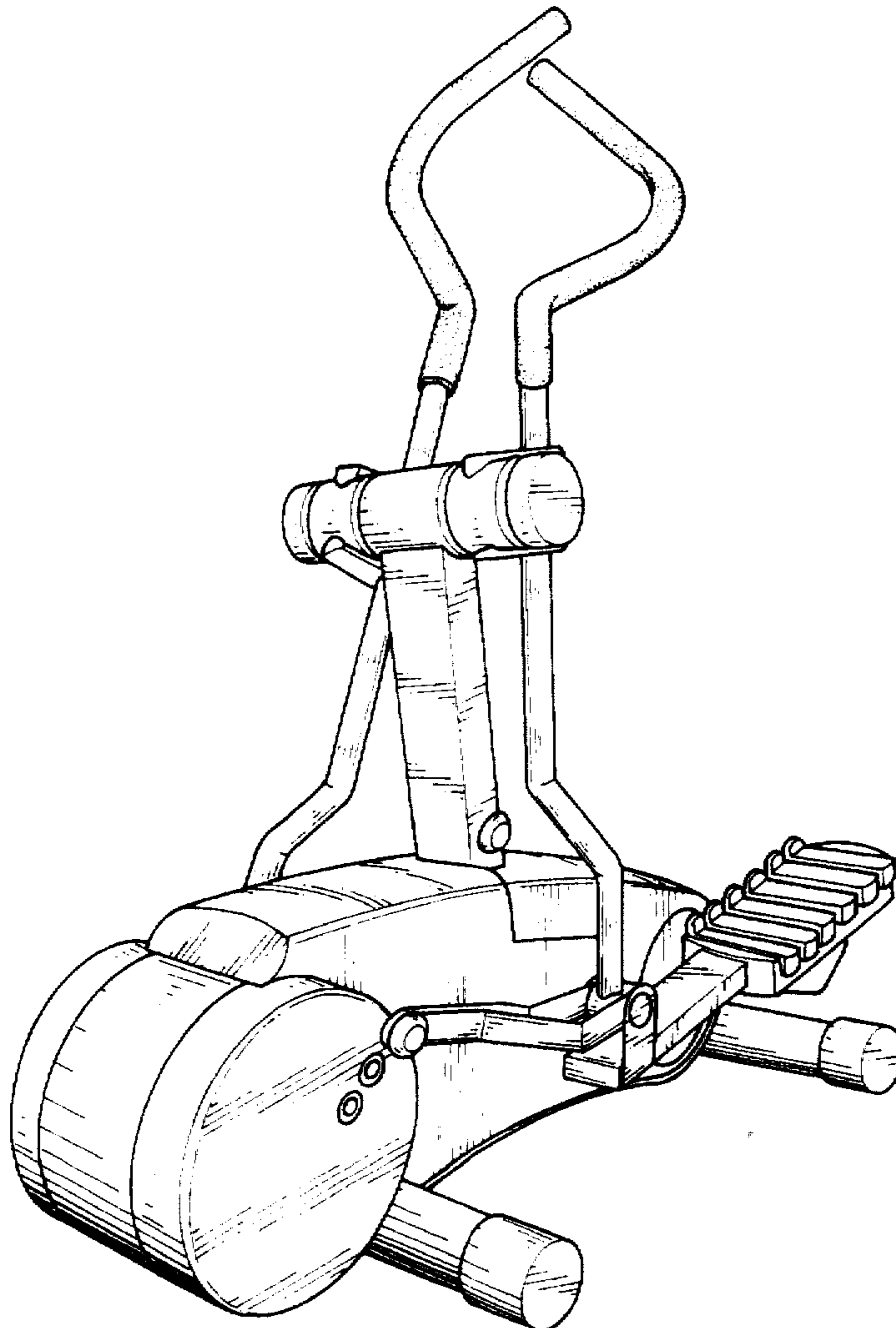
[57] **CLAIM**

The ornamental design for a combination step, walk and run exerciser, as shown and described.

DESCRIPTION

FIG. 1 is a front-right-top perspective view of a combination step, walk and run exerciser showing my design; FIG. 2 is a front elevational view thereof; FIG. 3 is a rear elevational view thereof; FIG. 4 is a left side view thereof; FIG. 5 is a right side view thereof; FIG. 6 is a top plan view thereof; and, FIG. 7 is a bottom plan view thereof.

1 Claim, 7 Drawing Sheets



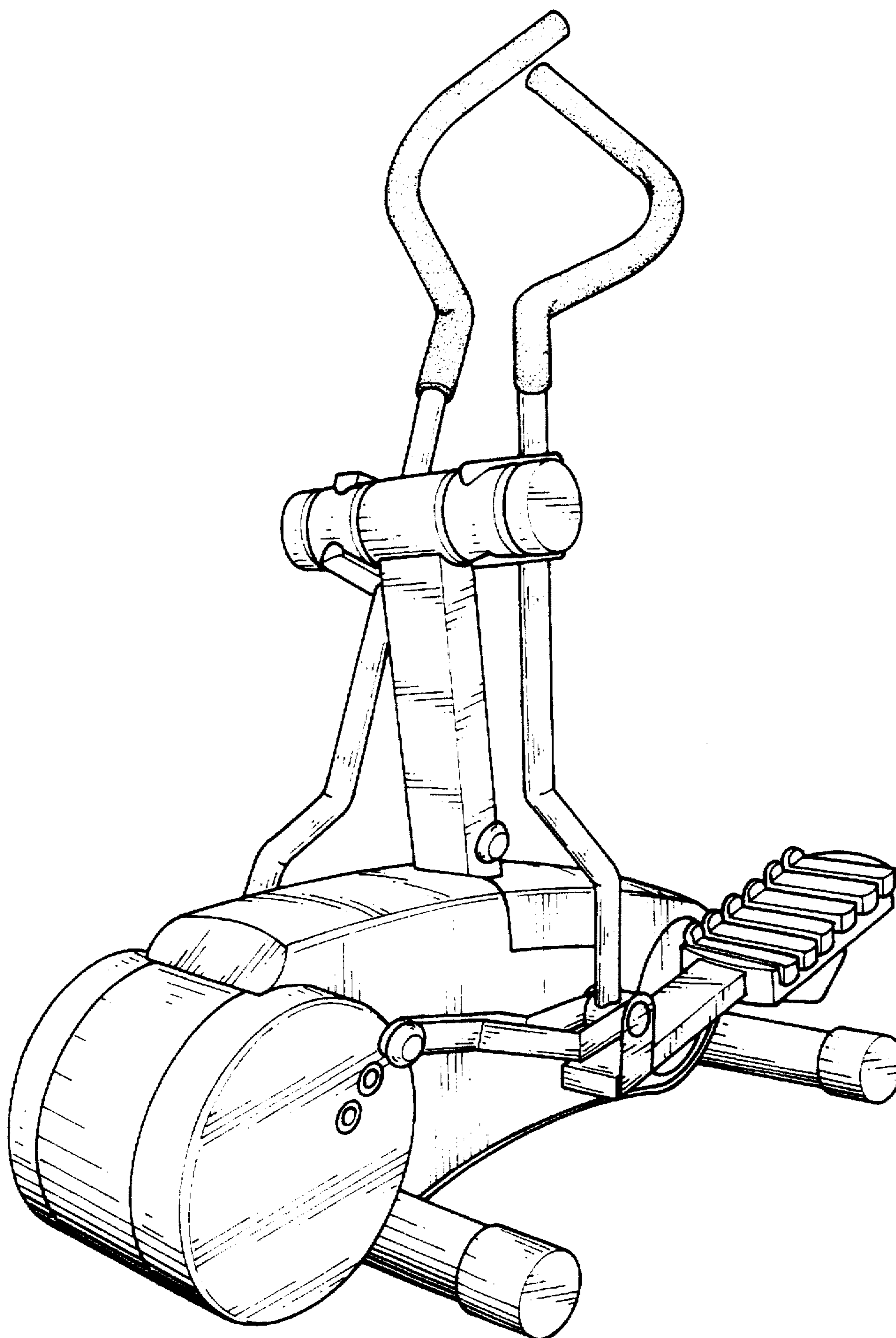


FIG. 1

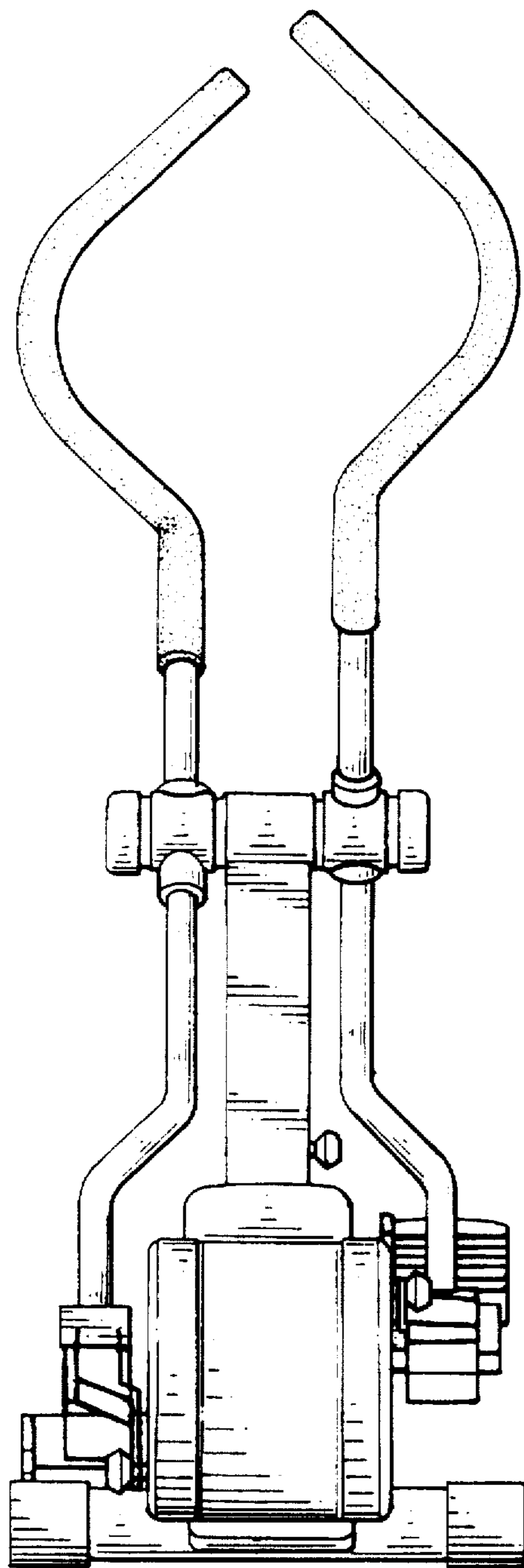


FIG. 2

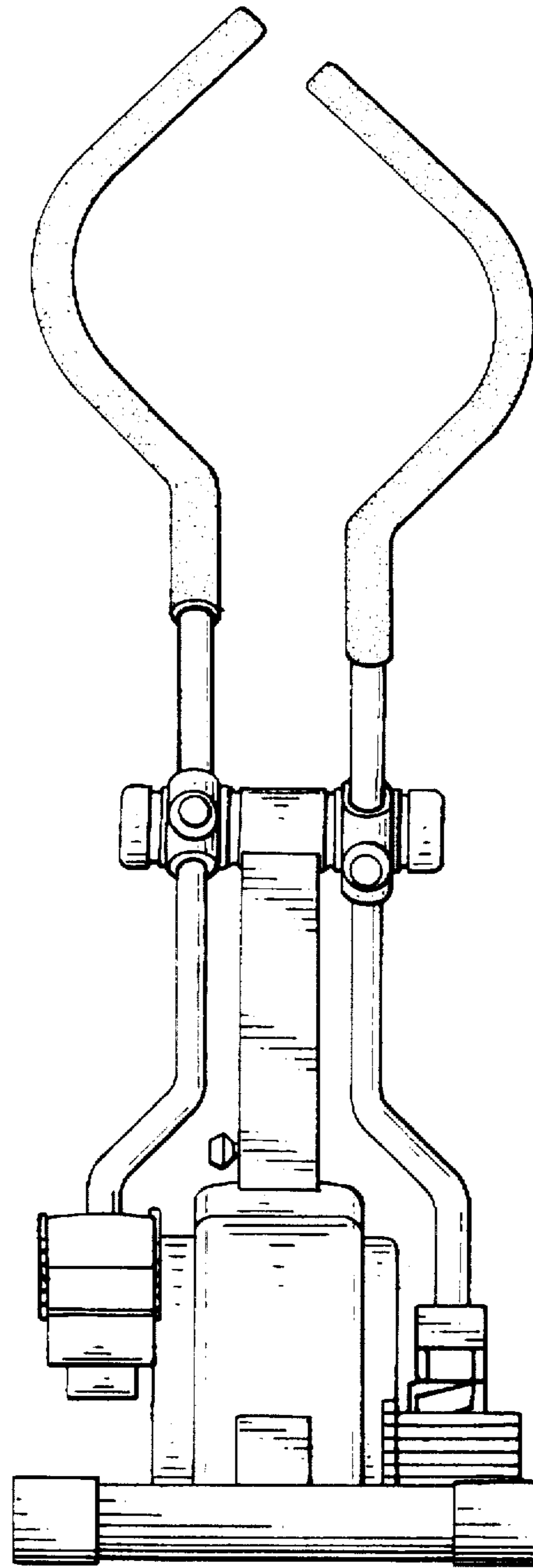


FIG. 3

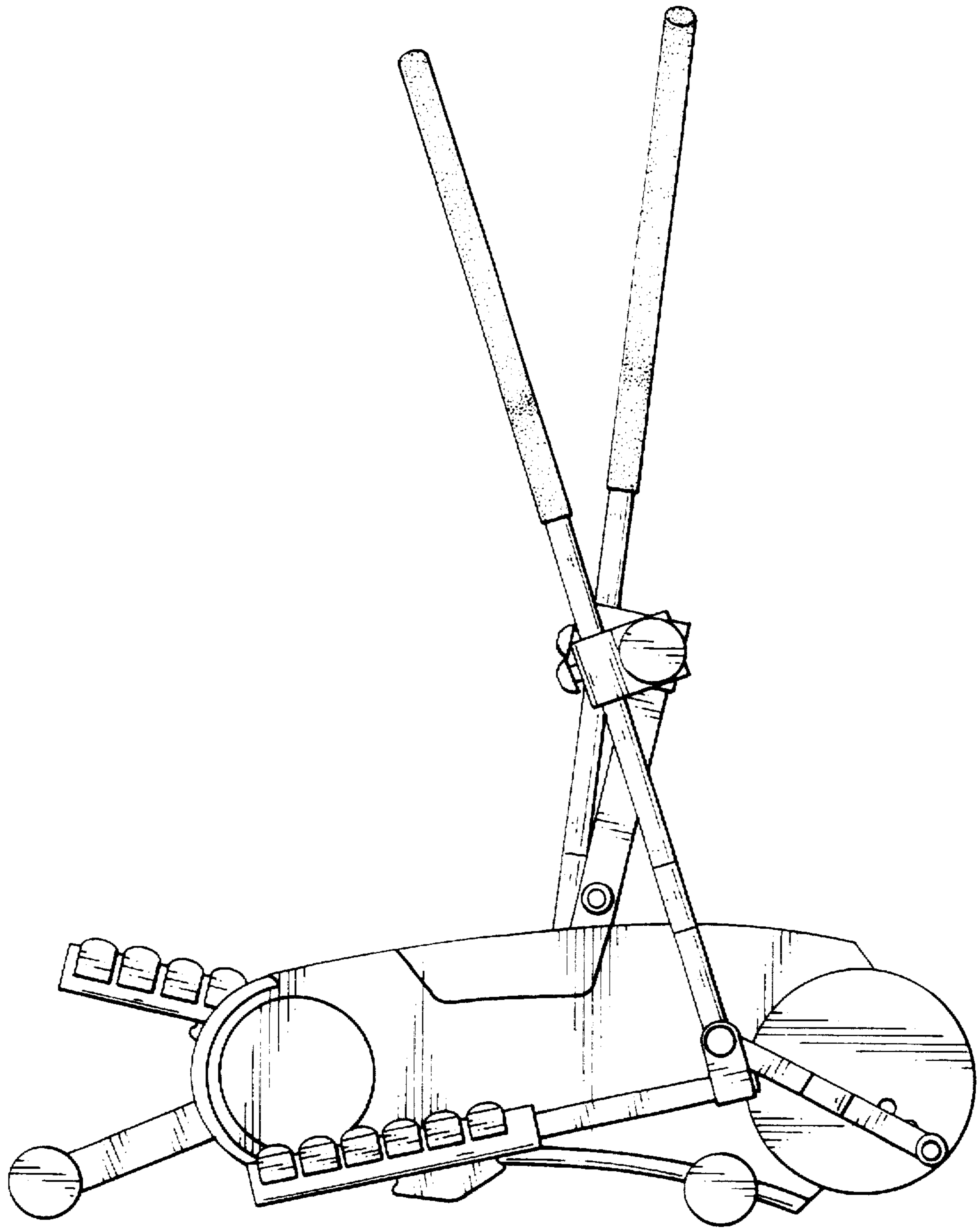


FIG. 4

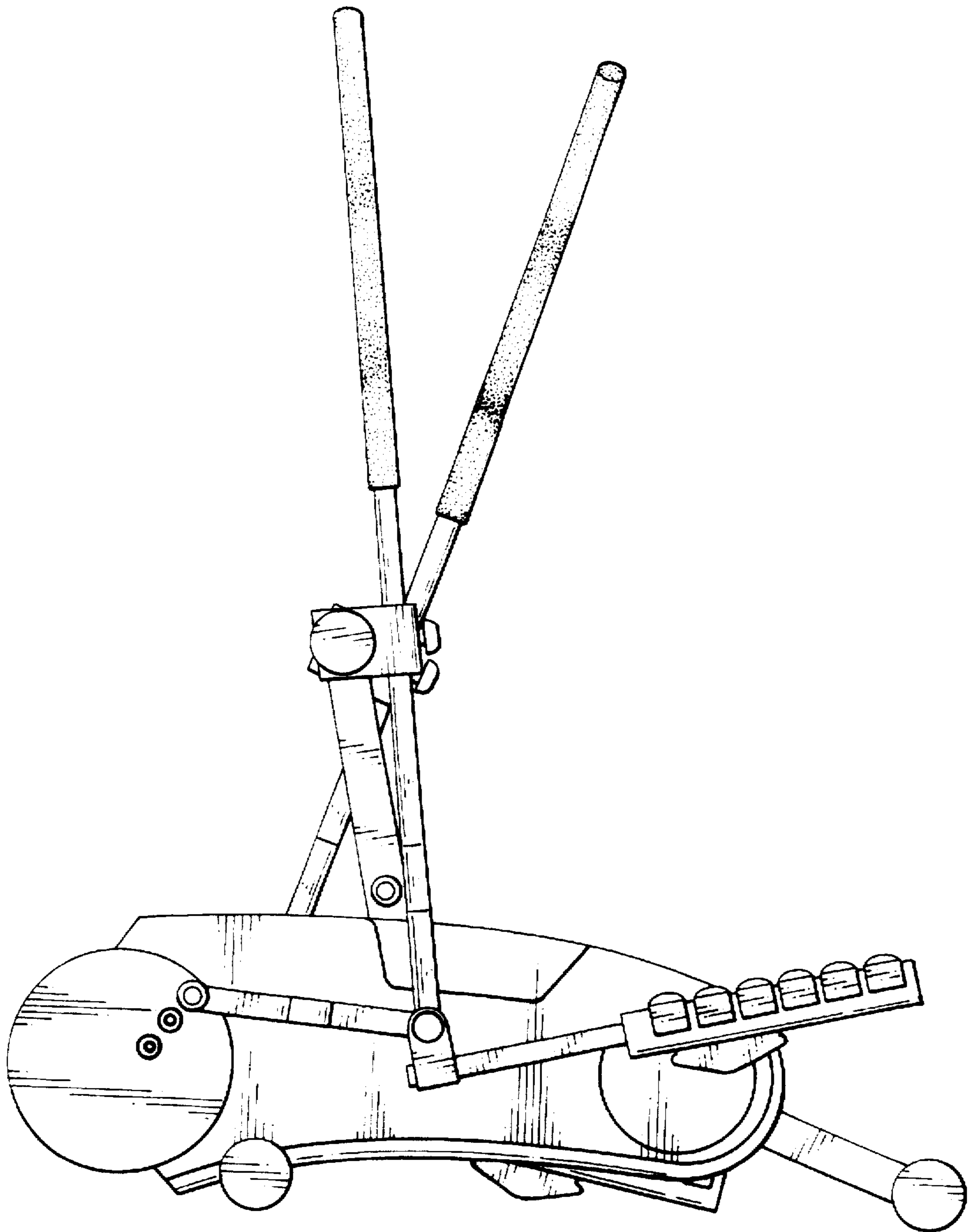


FIG. 5

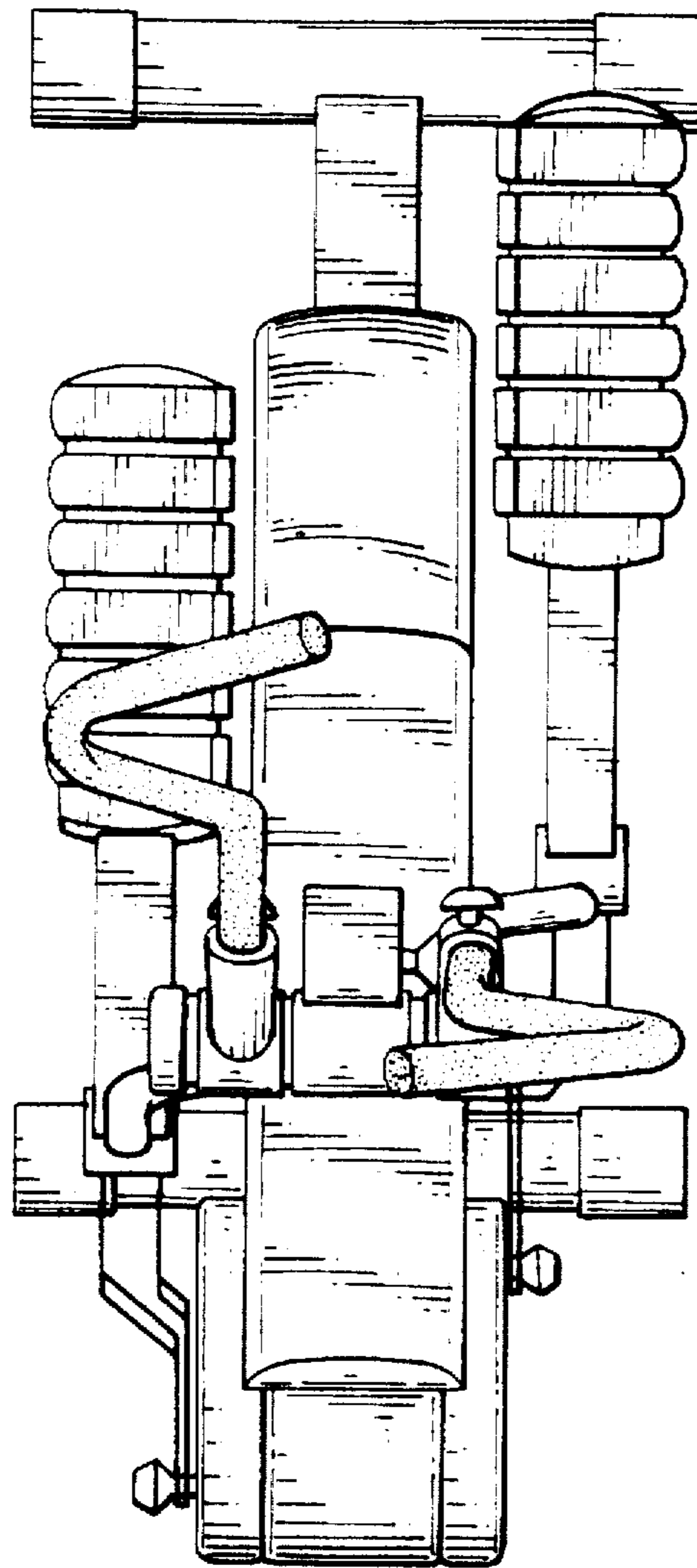


FIG. 6

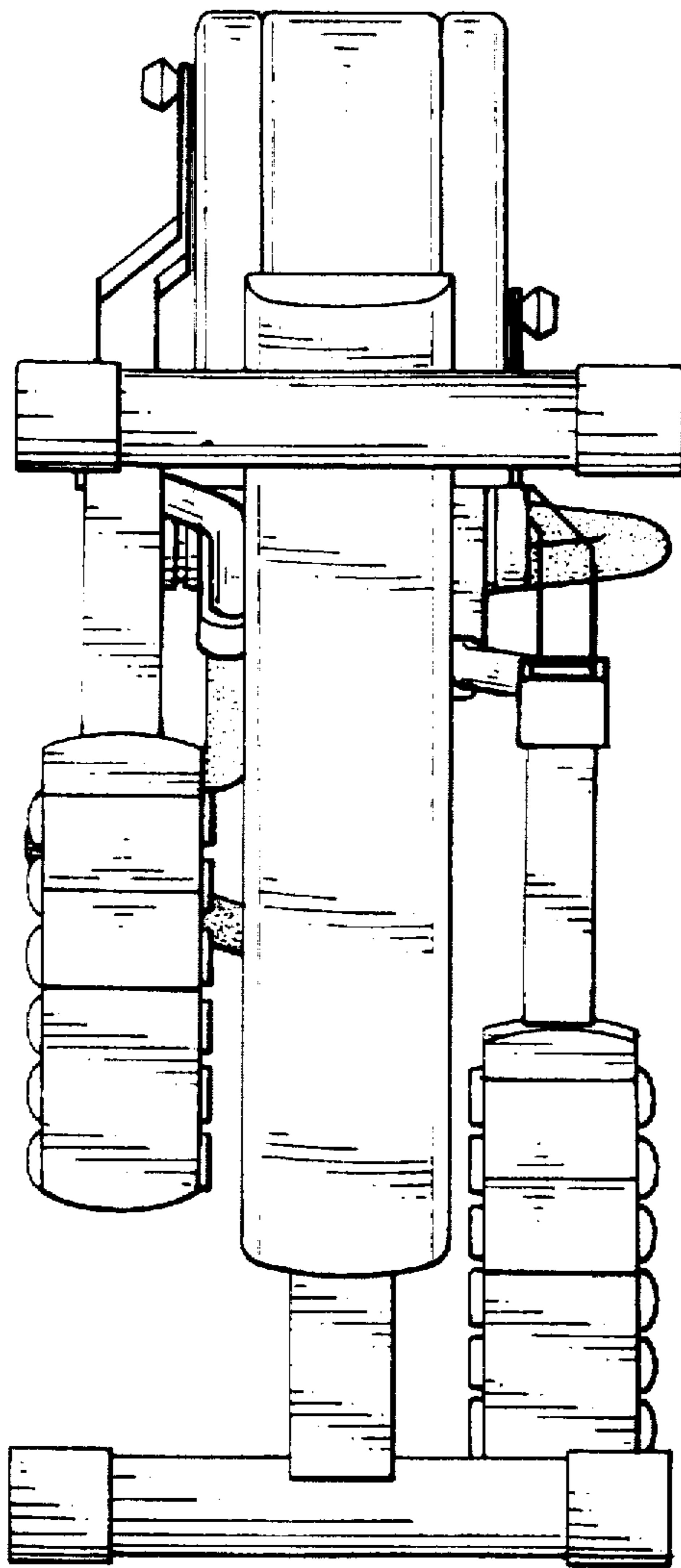


FIG. 7