



US00D396503S

United States Patent [19] Leadbetter

[11] Patent Number: **Des. 396,503**
[45] Date of Patent: ****Jul. 28, 1998**

[54] **TOY LOCOMOTIVE**
[75] Inventor: **Paul Leadbetter, Søborg, Denmark**
[73] Assignee: **INTERLEGO AG, Baar, Switzerland**
[**] Term: **14 Years**
[21] Appl. No.: **76,735**
[22] Filed: **Sep. 18, 1997**
[51] LOC (6) Cl. **21-01**
[52] U.S. Cl. **D21/129**
[58] Field of Search **D21/76, 78, 79,**
 D21/71, 108, 128, 129, 134; 446/168, 137,
 138, 410, 447, 467, 470; 104/DIG. 1; 105/1.5,
 29.2

2,617,654 11/1952 Nolan et al. 446/93
3,224,137 12/1965 Wright et al. 446/94
4,583,955 4/1986 Toloczko 446/467

OTHER PUBLICATIONS

Tyco Toy Catalog, p. 25, 1987 set "5140".
Primary Examiner—Raphael Barkai
Attorney, Agent, or Firm—Kane, Dalsimer, Sullivan, Kurucz,
Levy, Eisele and Richard, LLP

[57] CLAIM

The ornamental design for a toy locomotive, as shown and described.

DESCRIPTION

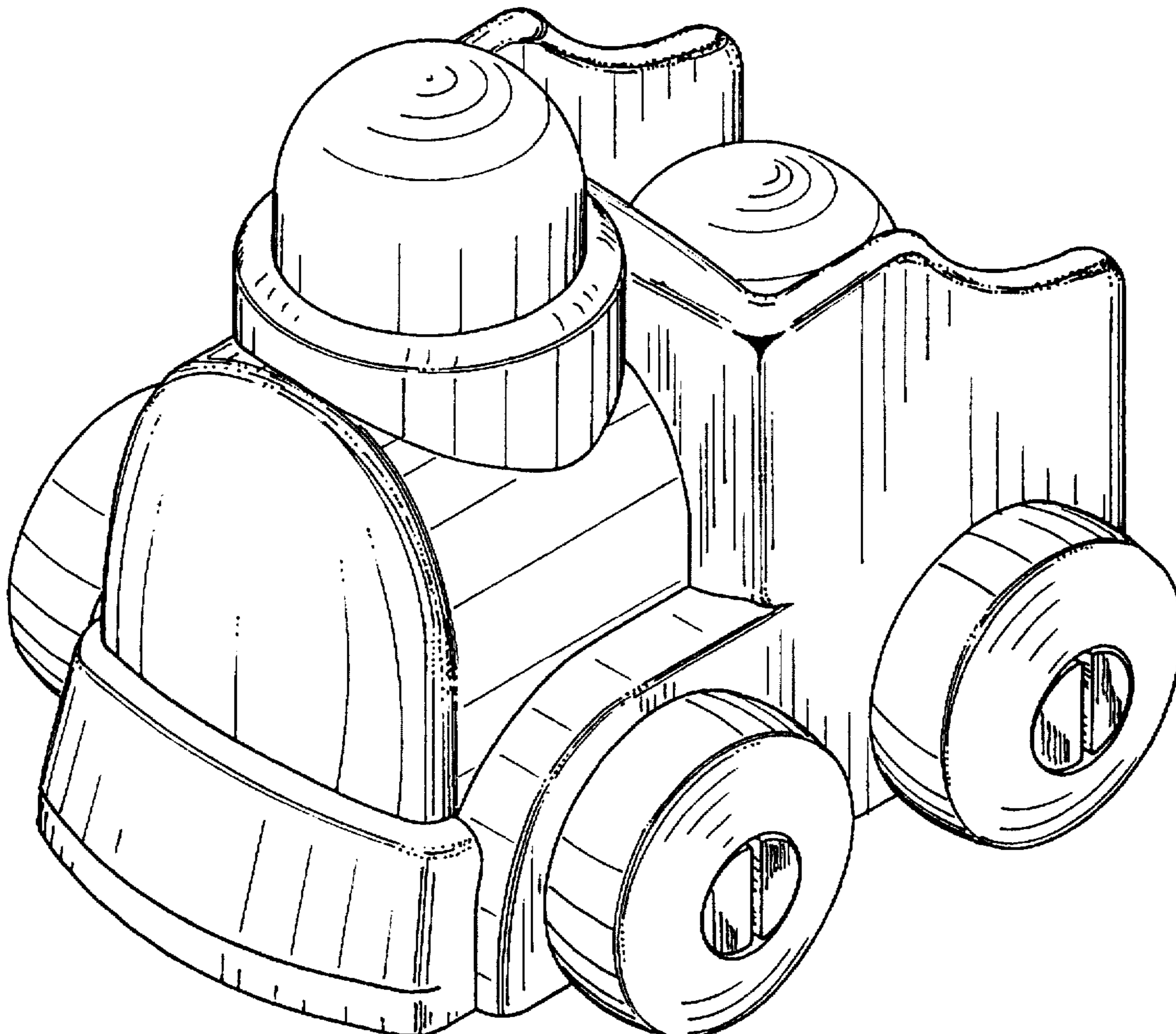
FIG. 1 is a top perspective view of the toy locomotive;
FIG. 2 is a bottom perspective view thereof;
FIG. 3 is a front elevational view thereof;
FIG. 4 is a right side elevational view thereof;
FIG. 5 is a left side elevational view thereof;
FIG. 6 is a rear elevational view thereof;
FIG. 7 is a bottom plan view thereof, and
FIG. 8 is a top plan view thereof.

[56] References Cited

U.S. PATENT DOCUMENTS

227,216 5/1880 Carpenter 446/467
D. 325,227 4/1992 Oshimi et al. D21/129
D. 341,391 11/1993 Uchida D21/129
D. 381,708 7/1997 Petersson D21/129
1,845,201 2/1932 Shepard D21/108

1 Claim, 5 Drawing Sheets



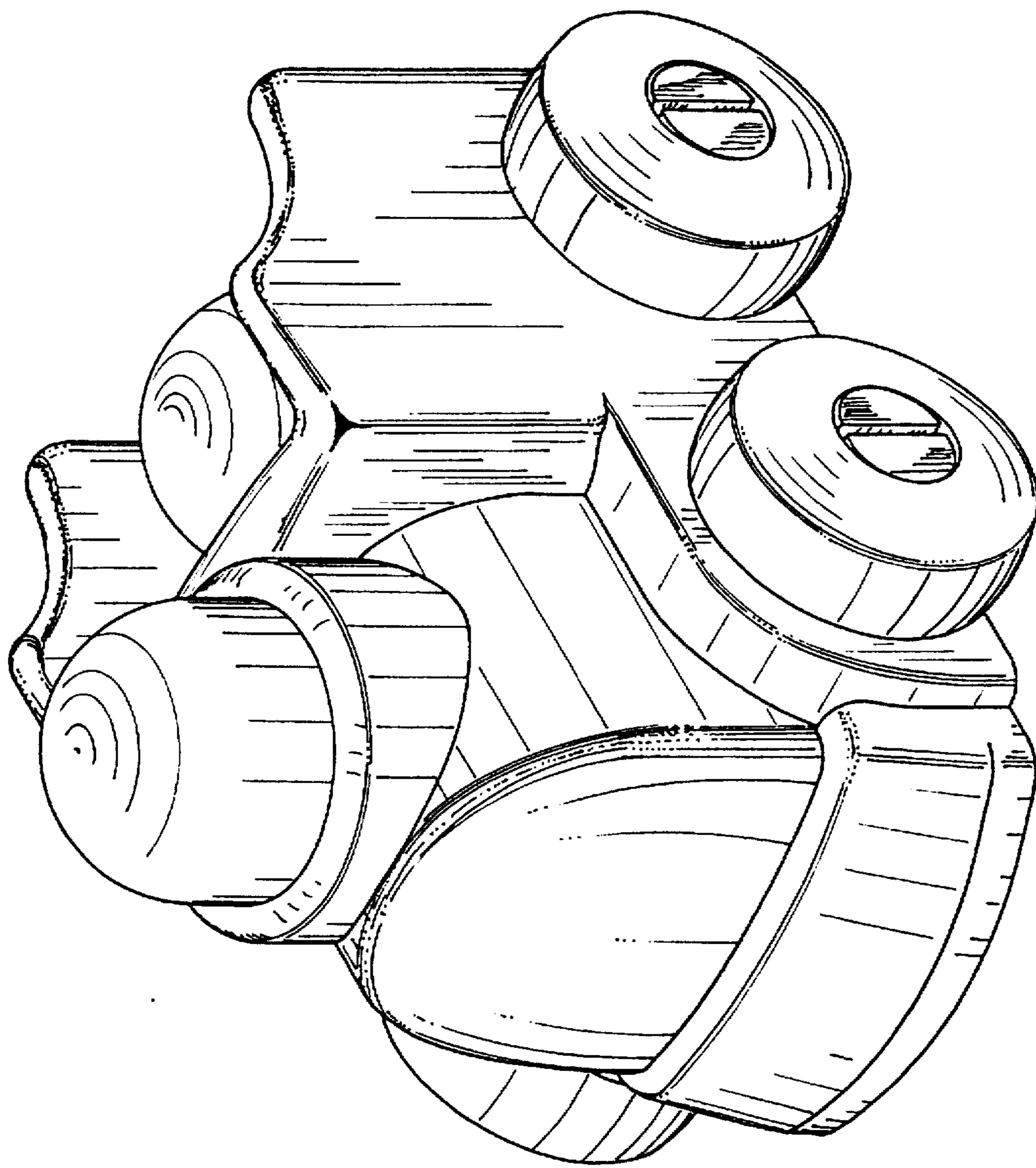


Fig. 1

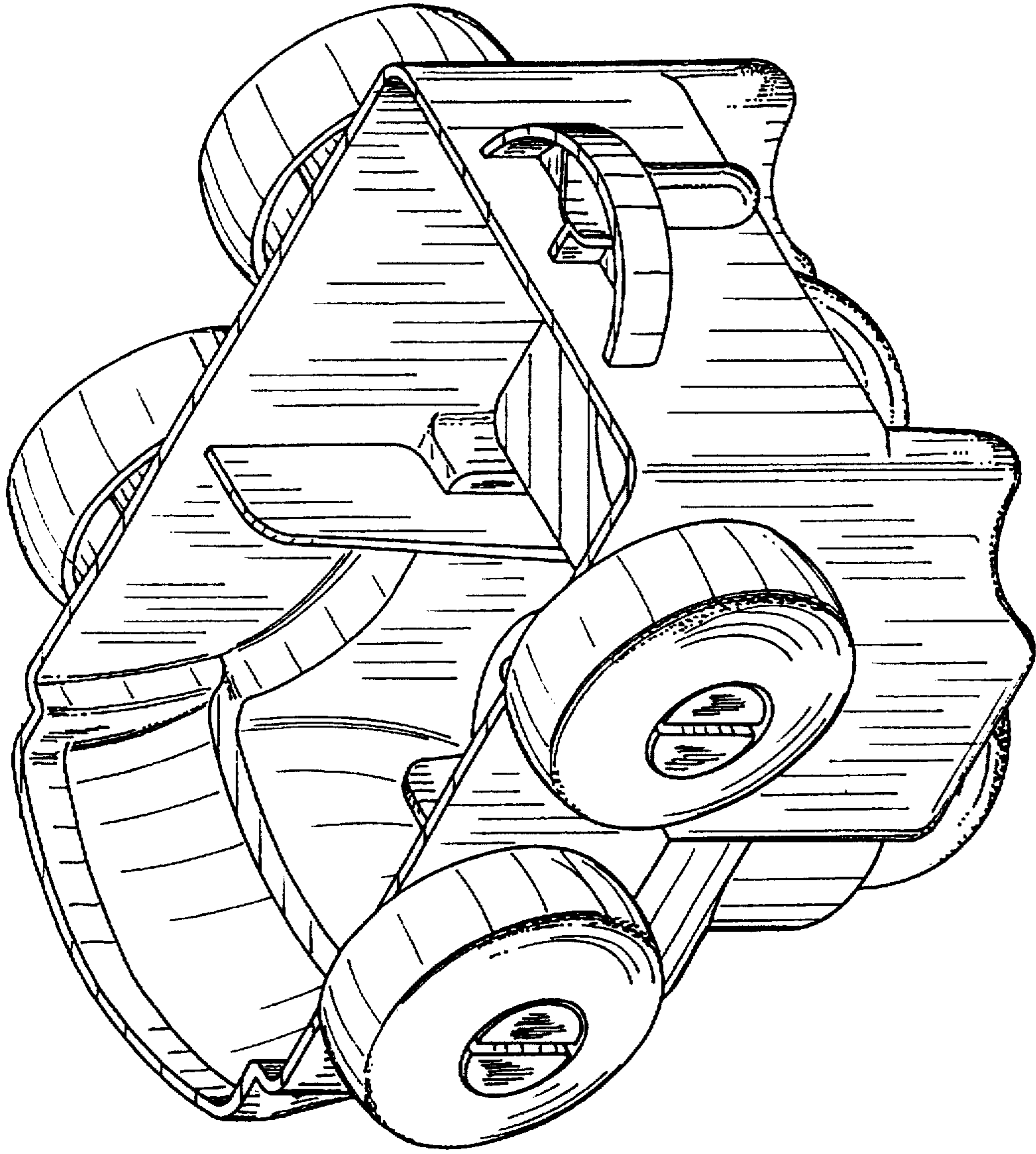


Fig. 2

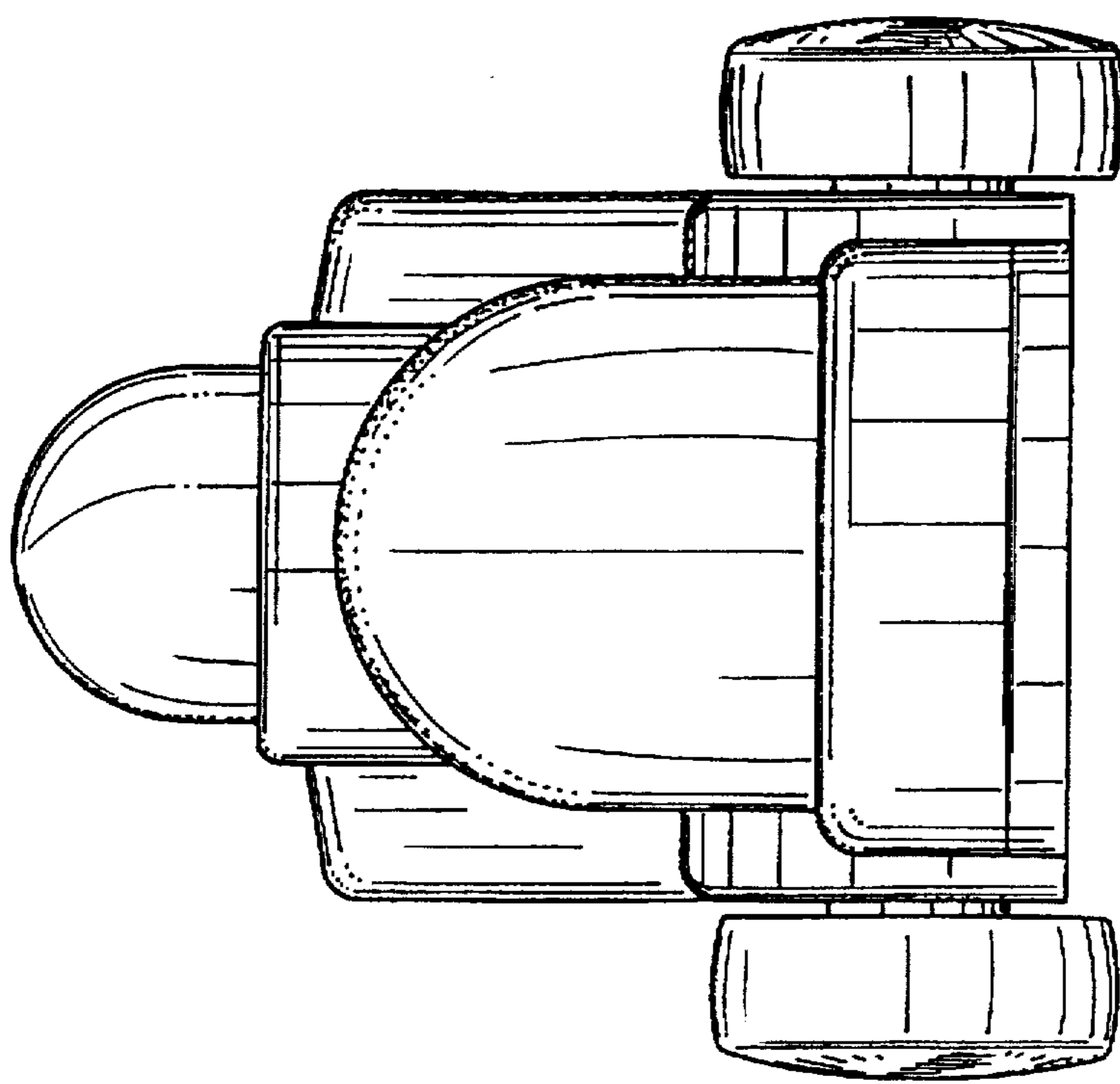


Fig. 3

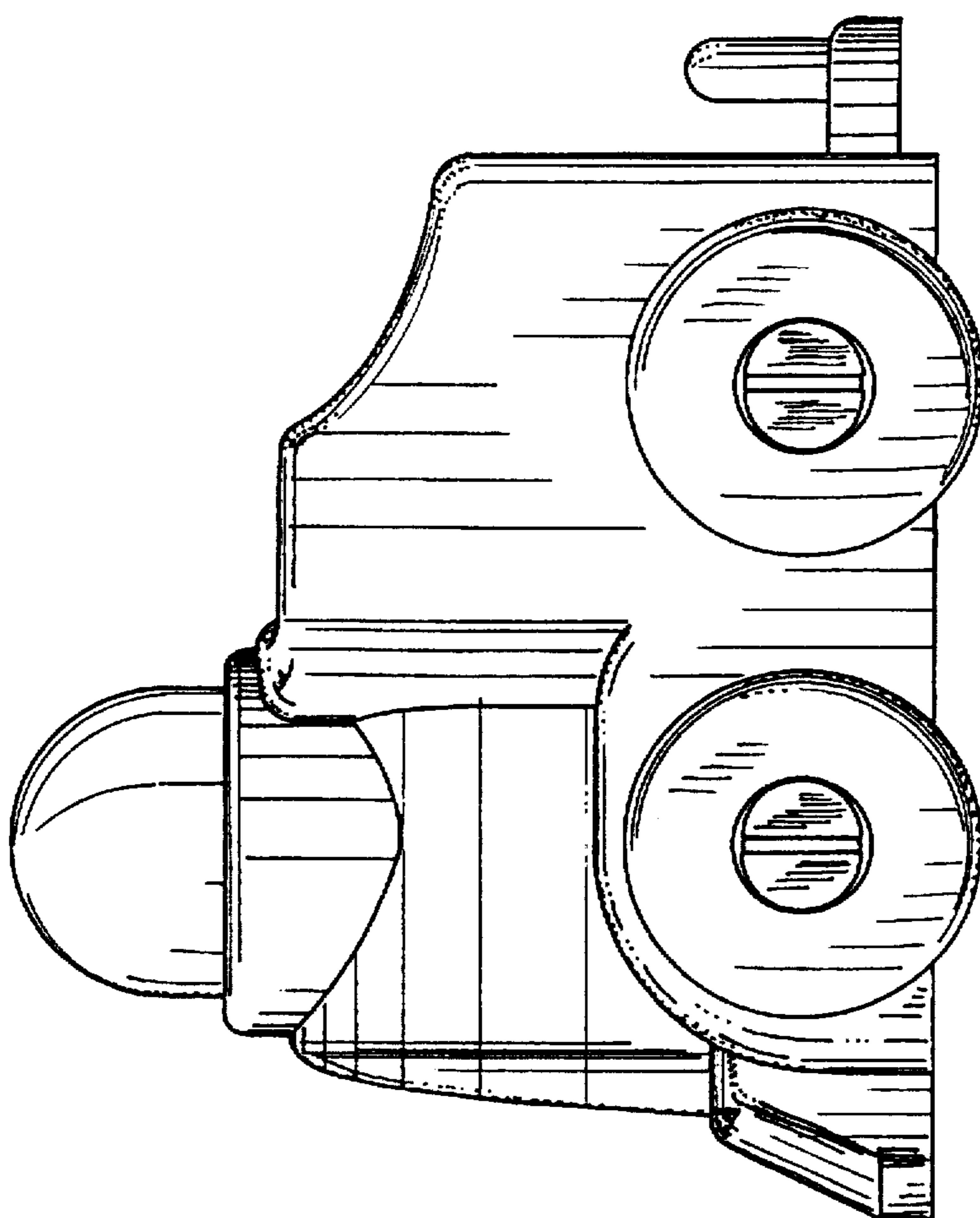


Fig. 4

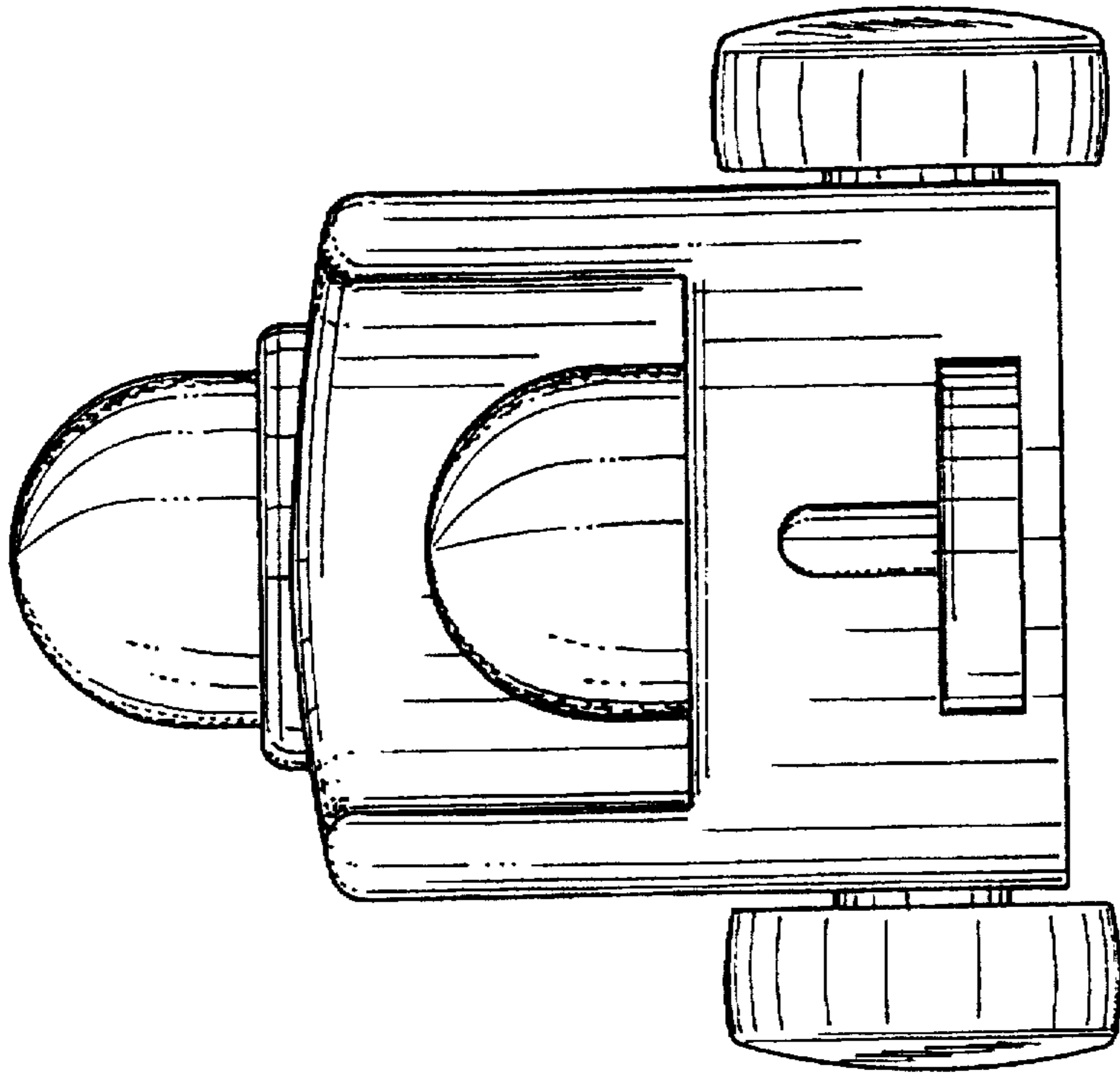


Fig. 6

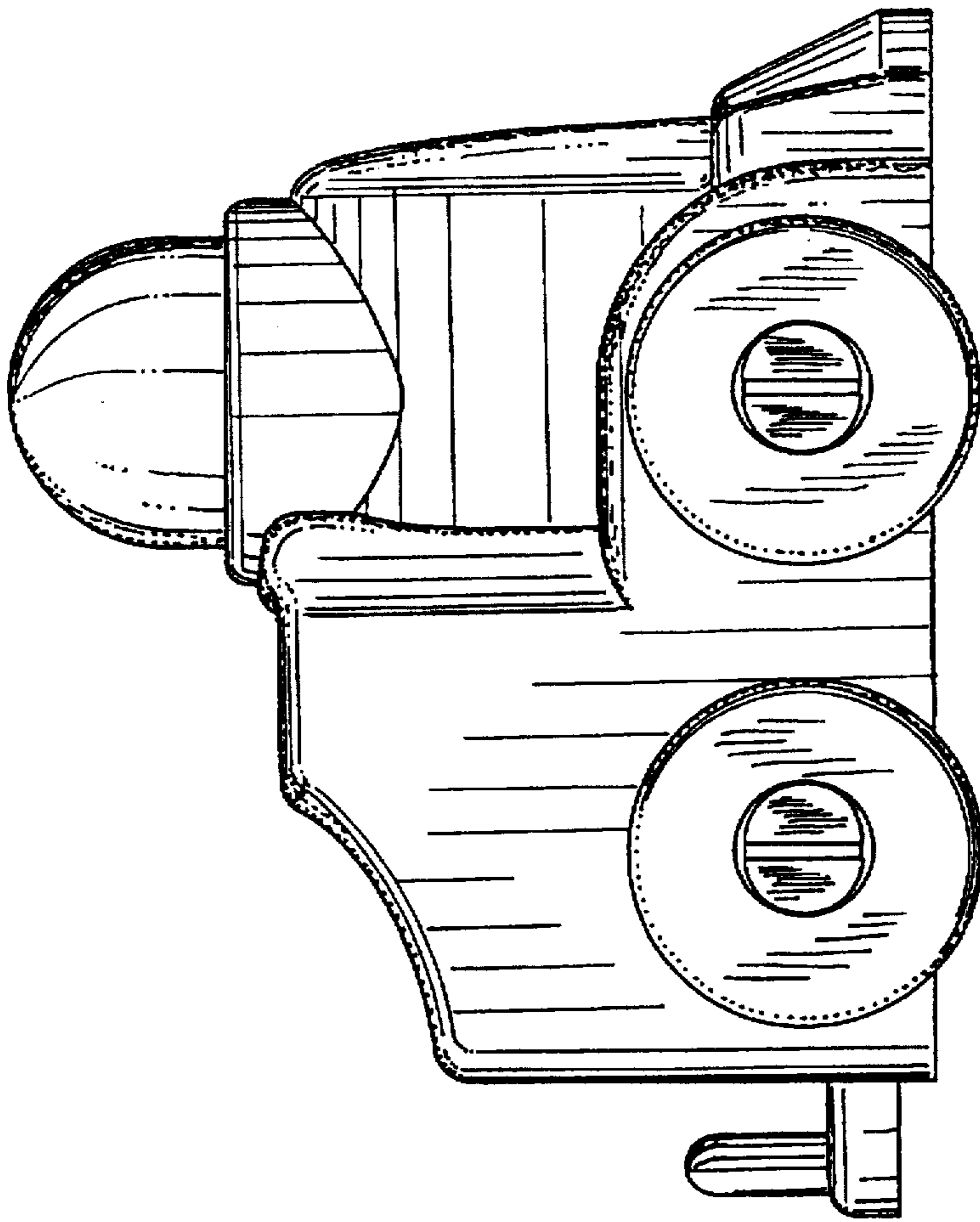


Fig. 5

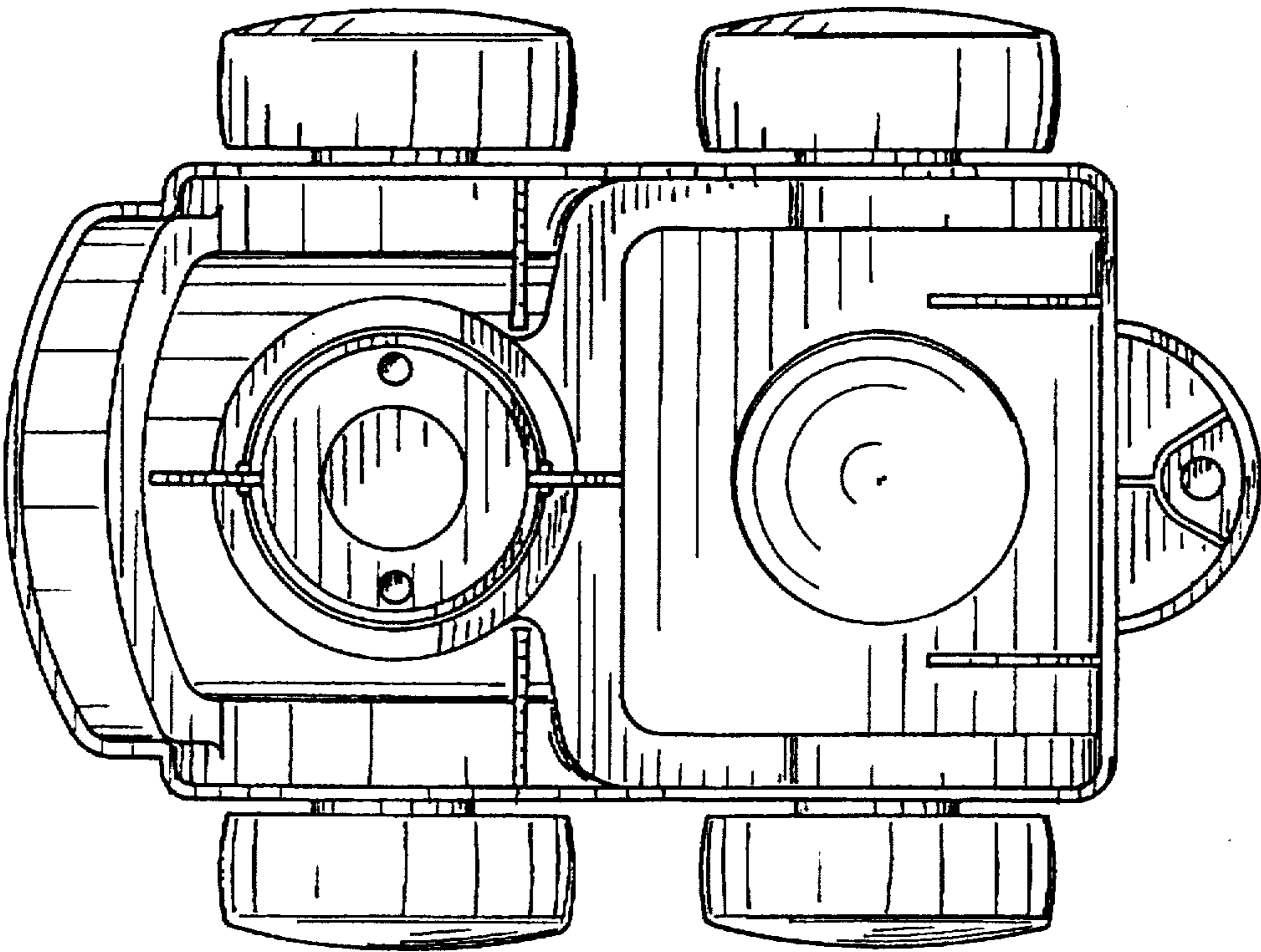


Fig. 7

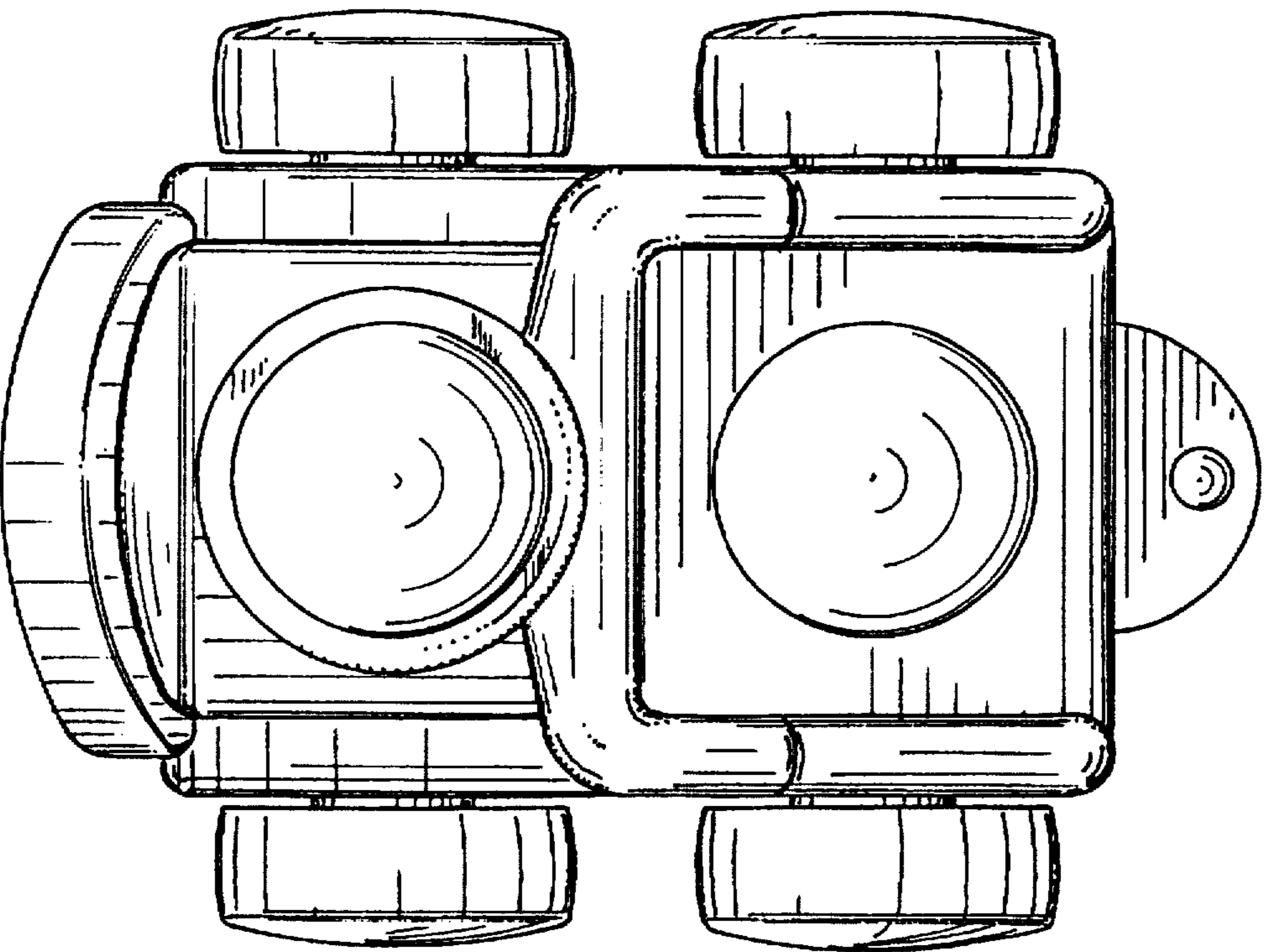


Fig. 8