



US00D396502S

United States Patent [19]

[11] Patent Number: **Des. 396,502**

Blumenthal

[45] Date of Patent: ****Jul. 28, 1998**

[54] TOY STOVE

3,808,730	5/1974	Cooper et al.	446/481
4,772,243	9/1988	Zeiss	446/481
5,480,335	1/1996	Caveza	446/75

[76] Inventor: **Martin Blumenthal**, 99 Longview Ave., Chatham, N.J. 07928

Primary Examiner—Raphael Barkai
Attorney, Agent, or Firm—Amster, Rothstein & Ebenstein

[**] Term: **14 Years**

[57] **CLAIM**

[21] Appl. No.: **66,754**

The ornamental design for a toy stove, as shown and described.

[22] Filed: **Feb. 20, 1997**

[51] LOC (6) Cl. **21-02**

[52] U.S. Cl. **D21/122**

[58] **Field of Search** D21/59, 109, 120-124;
D3/274, 905; D7/339; 446/75, 76, 70, 476,
478, 479, 481, 482, 488; D23/278, 284-286,
289

DESCRIPTION

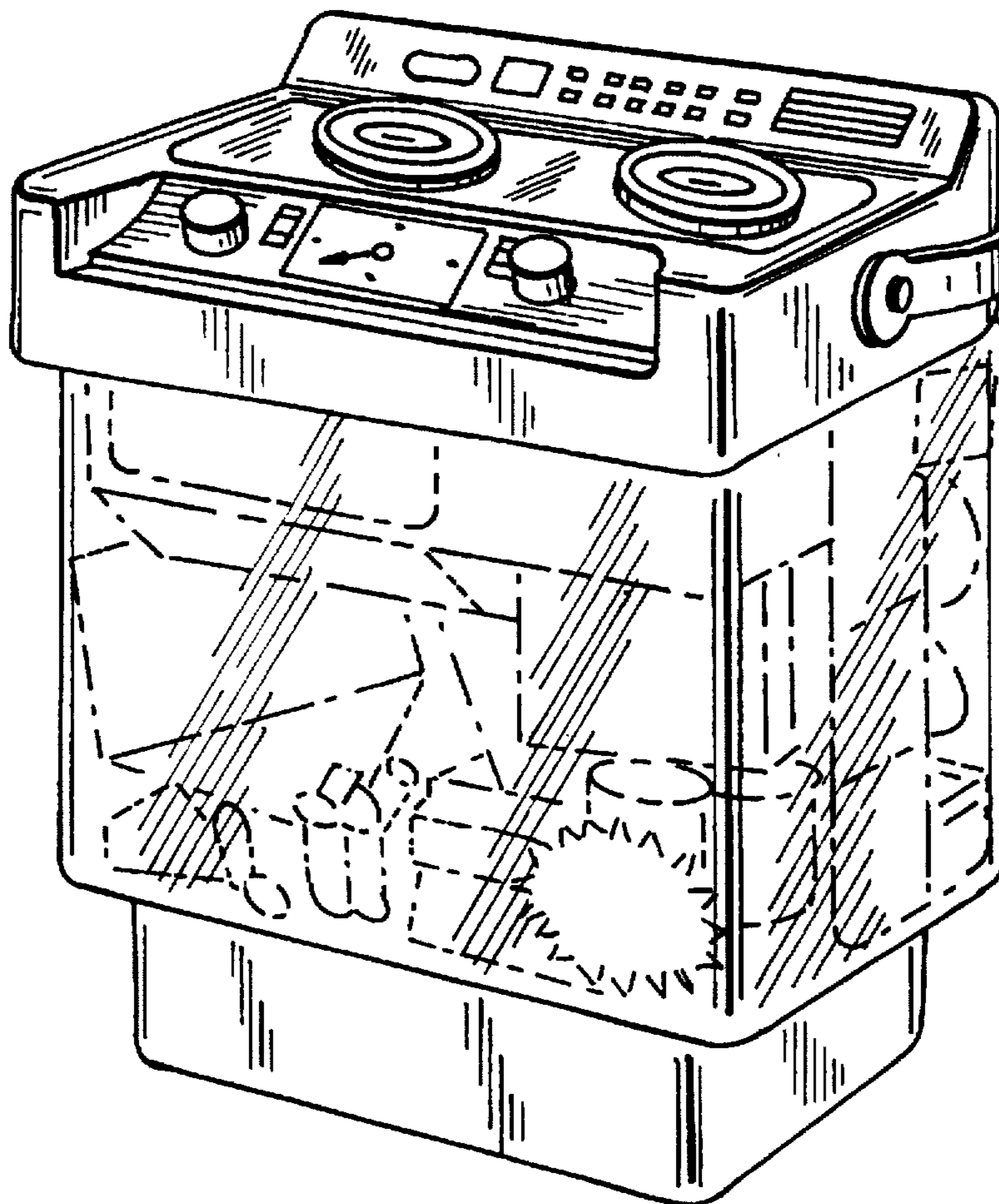
FIG. 1 is a perspective view from the top, front and one side of a toy stove showing my new design;
FIG. 2 is a front elevational view thereof;
FIG. 3 is a rear elevational view thereof;
FIG. 4 is a side elevational view thereof from the one side;
FIG. 5 is a side elevational view thereof from the other side;
FIG. 6 is a top plan view thereof; and,
FIG. 7 is a bottom plan view thereof.
The broken lines shown in FIGS. 1-5 is for illustrative purposes only and forms no part of the claimed design.

[56] **References Cited**

U.S. PATENT DOCUMENTS

D. 207,265	3/1967	Blumenthal	D21/122
D. 258,163	2/1981	Orenstein et al.	D21/122
D. 294,277	2/1988	Kamentsky	D21/122
D. 338,923	8/1993	Ran	D21/121
D. 350,167	8/1994	Klawitter	D21/122

1 Claim, 7 Drawing Sheets



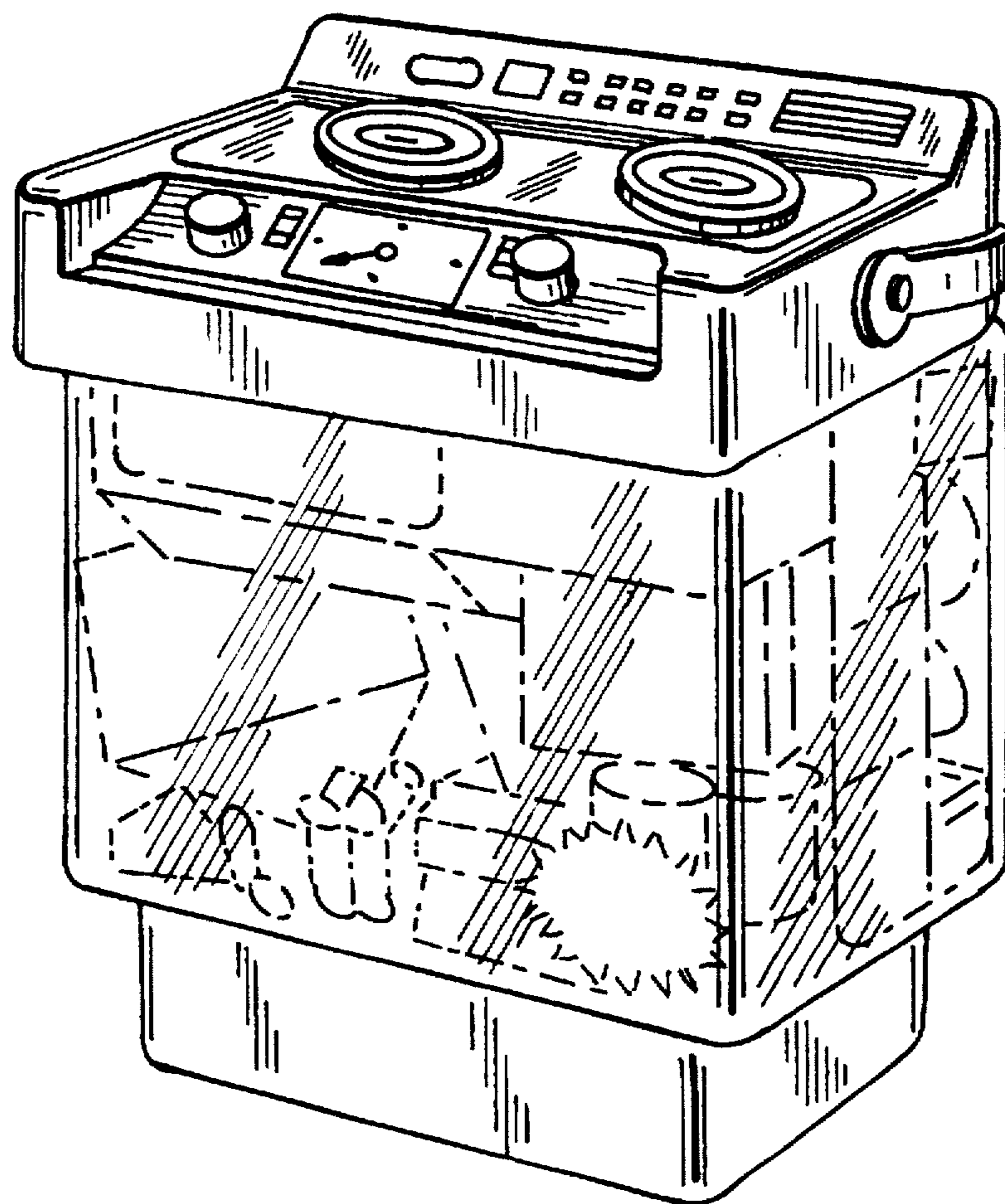


FIG. 1

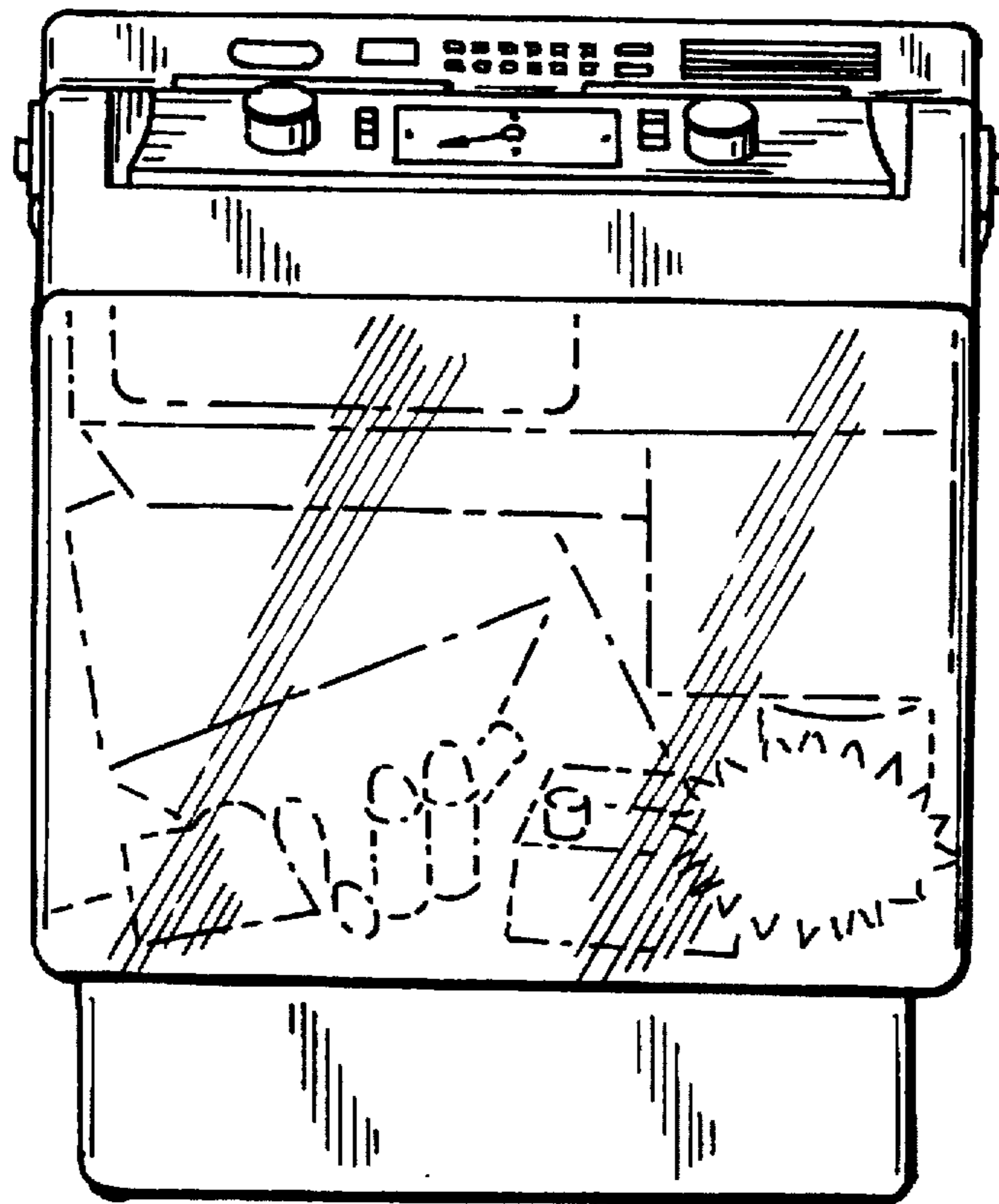


FIG. 2

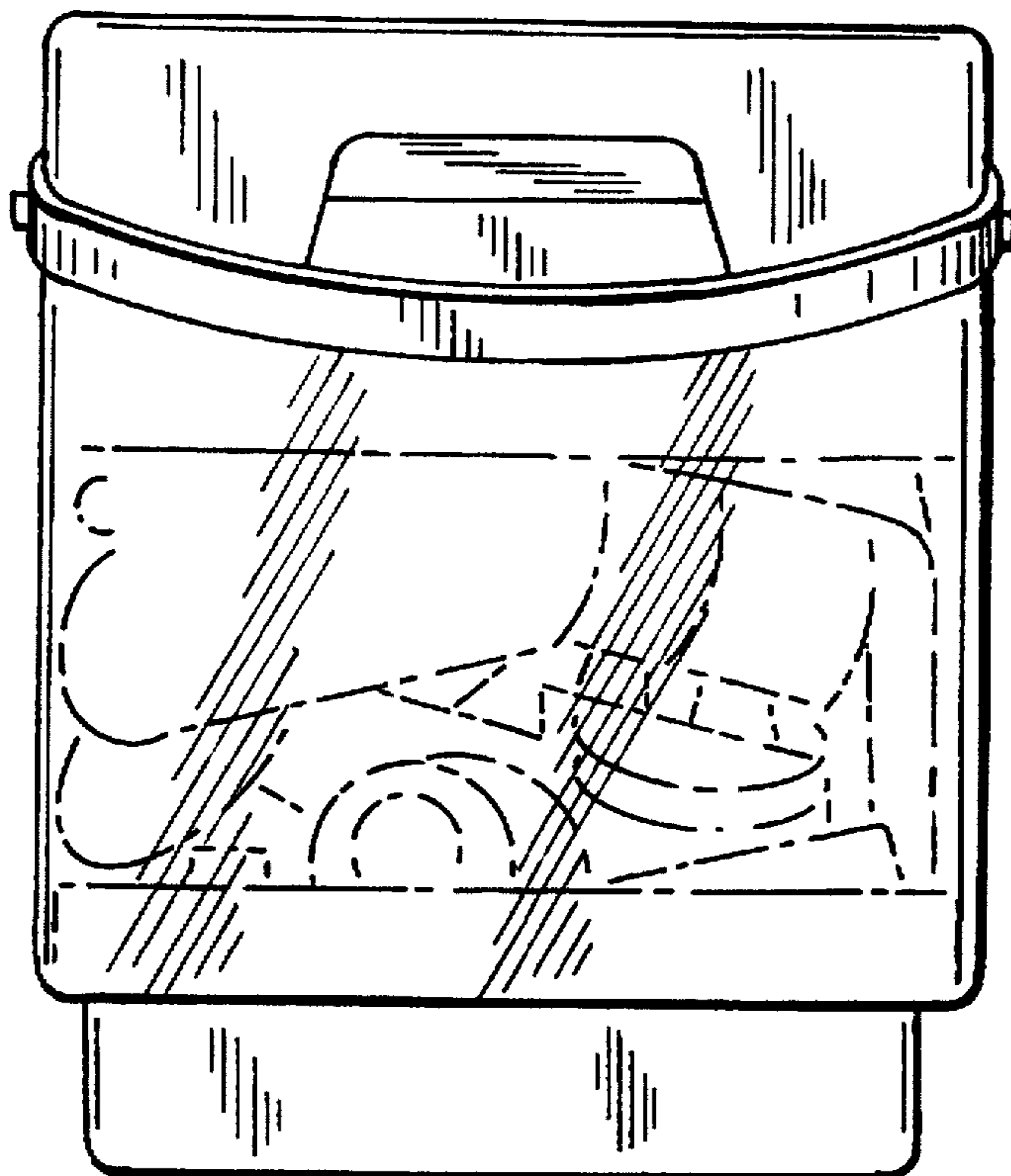


FIG. 3

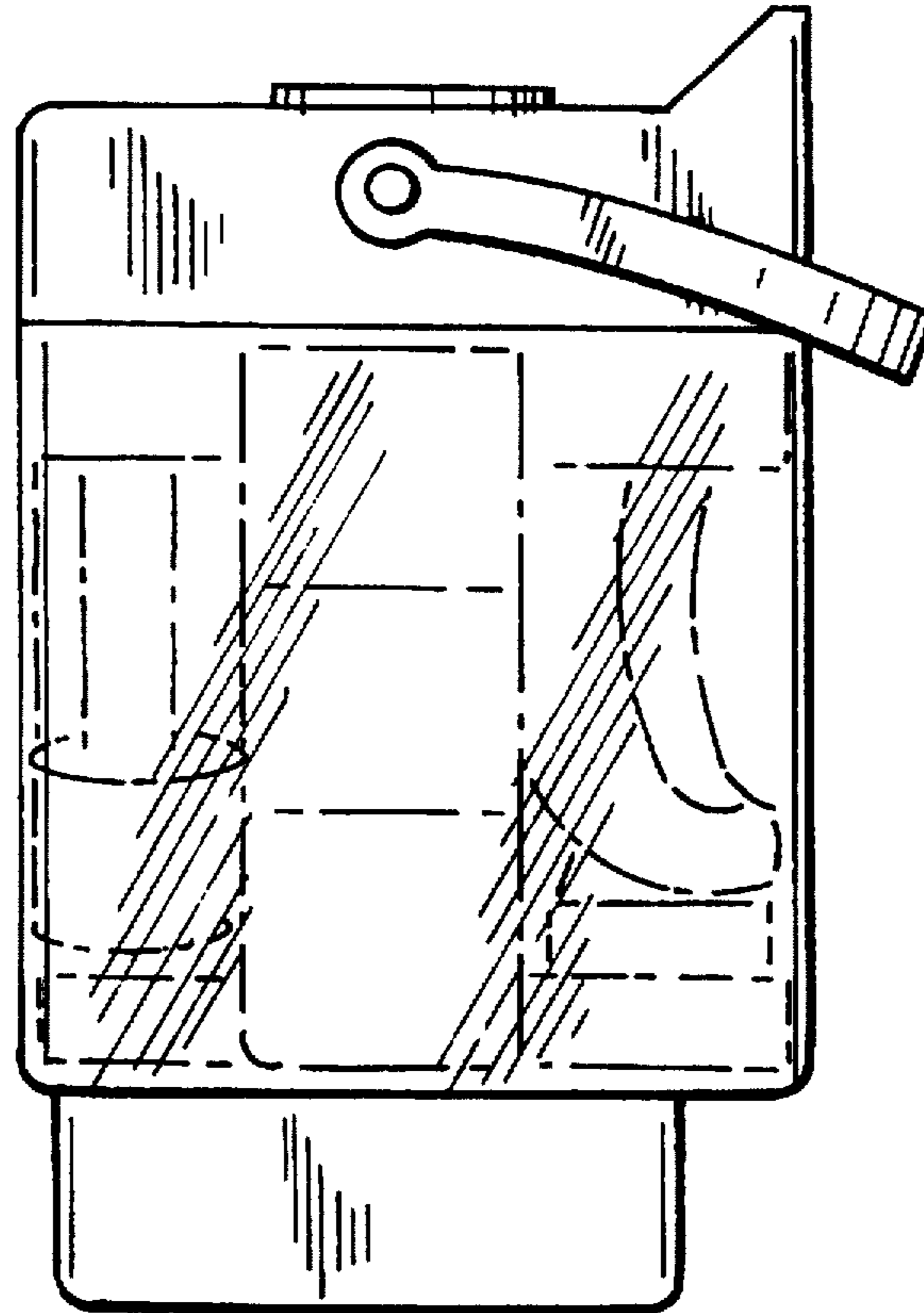


FIG. 4

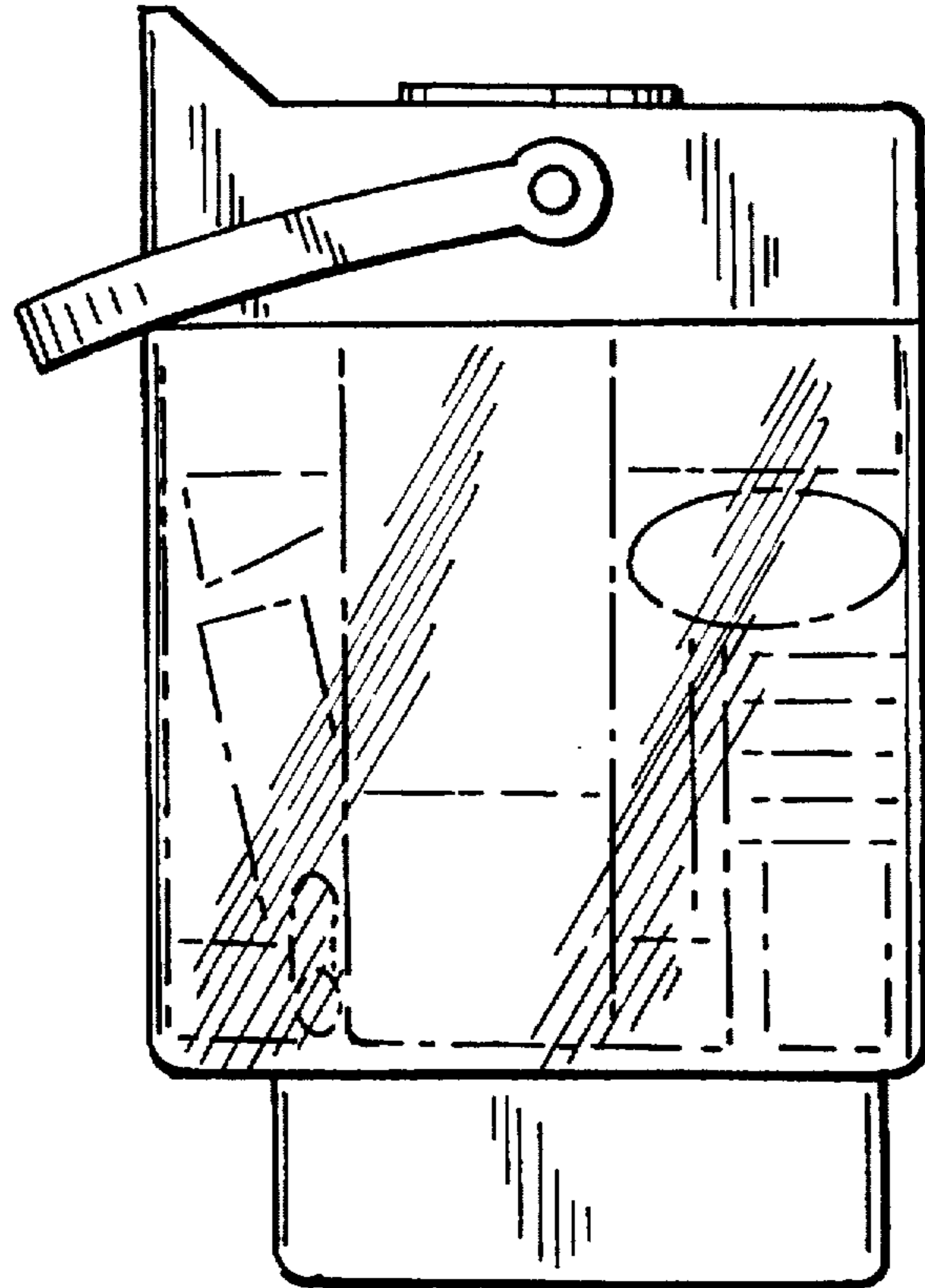


FIG. 5

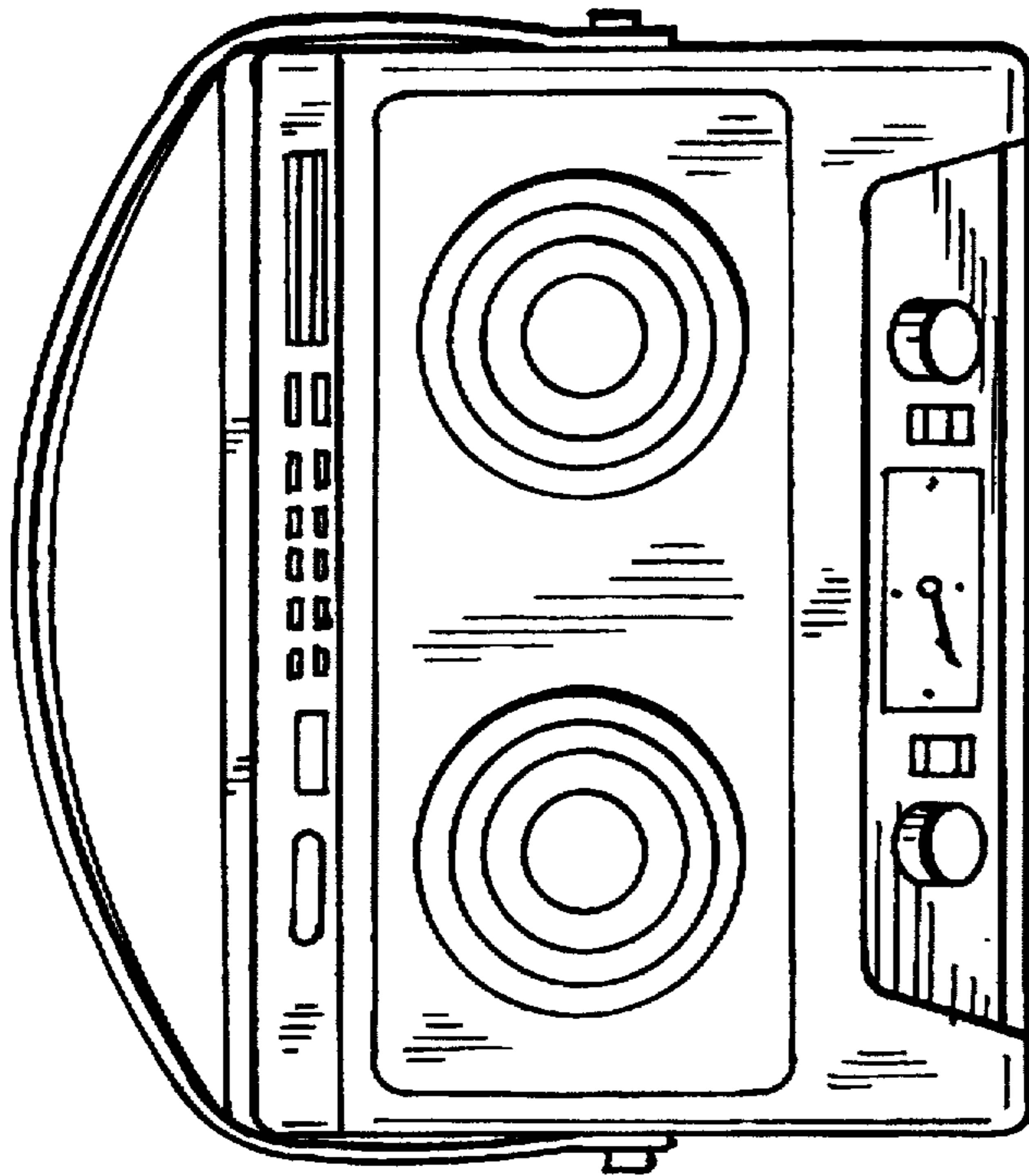


FIG. 6

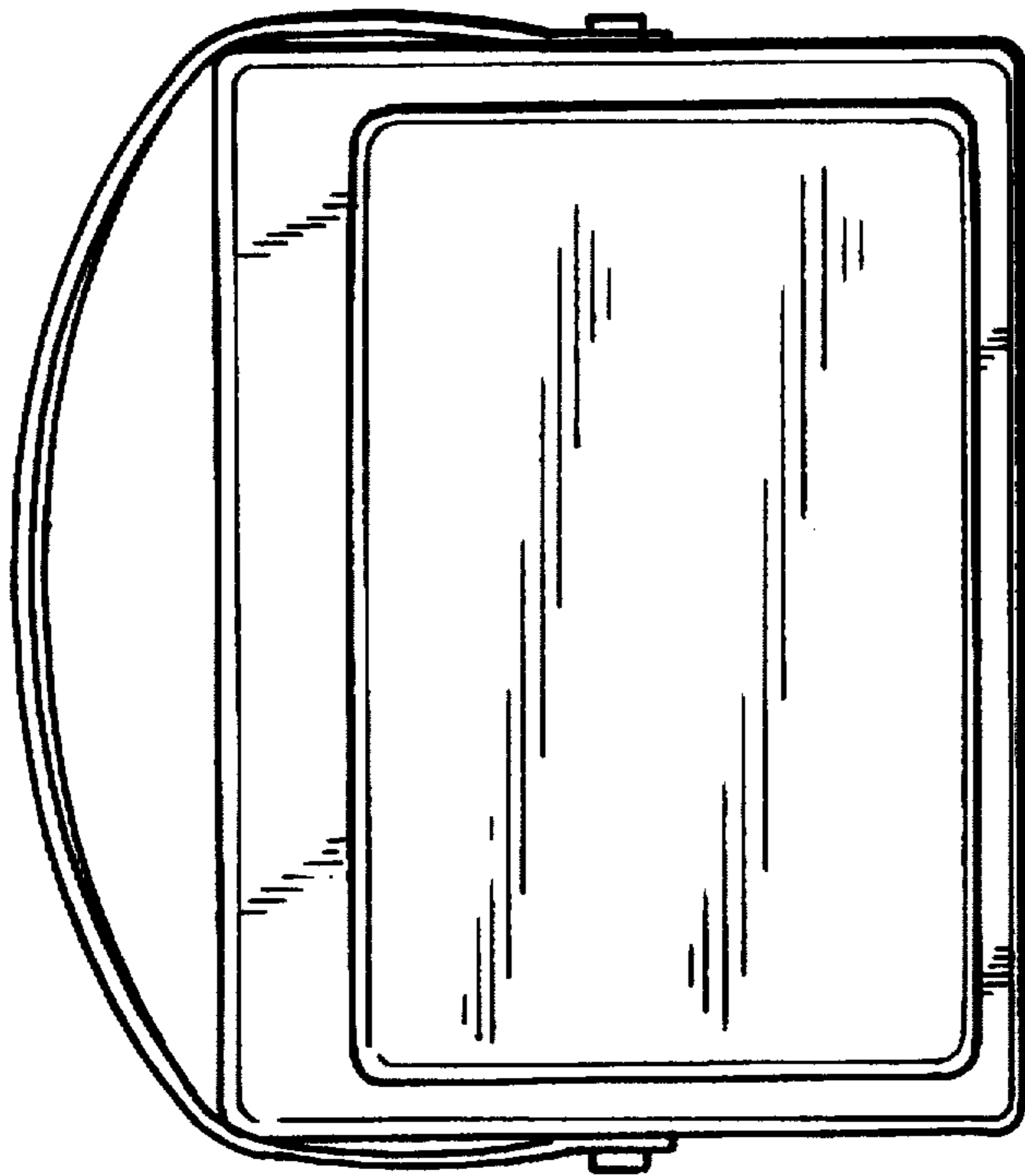


FIG. 7