



US00D396501S

United States Patent [19]
Hatting

[11] **Patent Number:** **Des. 396,501**
[45] **Date of Patent:** ****Jul. 28, 1998**

[54] **TOY BUILDING ELEMENT**
[75] **Inventor:** **Jan Hatting**, Vejle, Denmark
[73] **Assignee:** **INTERLEGO AG**, Baar, Switzerland
[**] **Term:** **14 Years**
[21] **Appl. No.:** **76,737**
[22] **Filed:** **Sep. 18, 1997**
[51] **LOC (6) Cl.** **21-01**
[52] **U.S. Cl.** **D21/108**
[58] **Field of Search** D21/59, 108, 109,
D21/141, 124; 446/85, 102, 103, 104, 110,
116, 117, 120, 125, 126; 434/401

4,493,669 1/1985 Neuhierl 446/103
5,071,384 12/1991 Poulsen 446/128
5,360,361 11/1994 Poulsen 446/128

OTHER PUBLICATIONS

Constructive Playthings '92, p. 12, Toy "A".

Primary Examiner—Raphael Barkai
Attorney, Agent, or Firm—Kane, Dalsimer, Sullivan,
Kurucz, Levy, Eisele and Richard, LLP

[57] **CLAIM**

The ornamental design for a toy building element, as shown and described.

DESCRIPTION

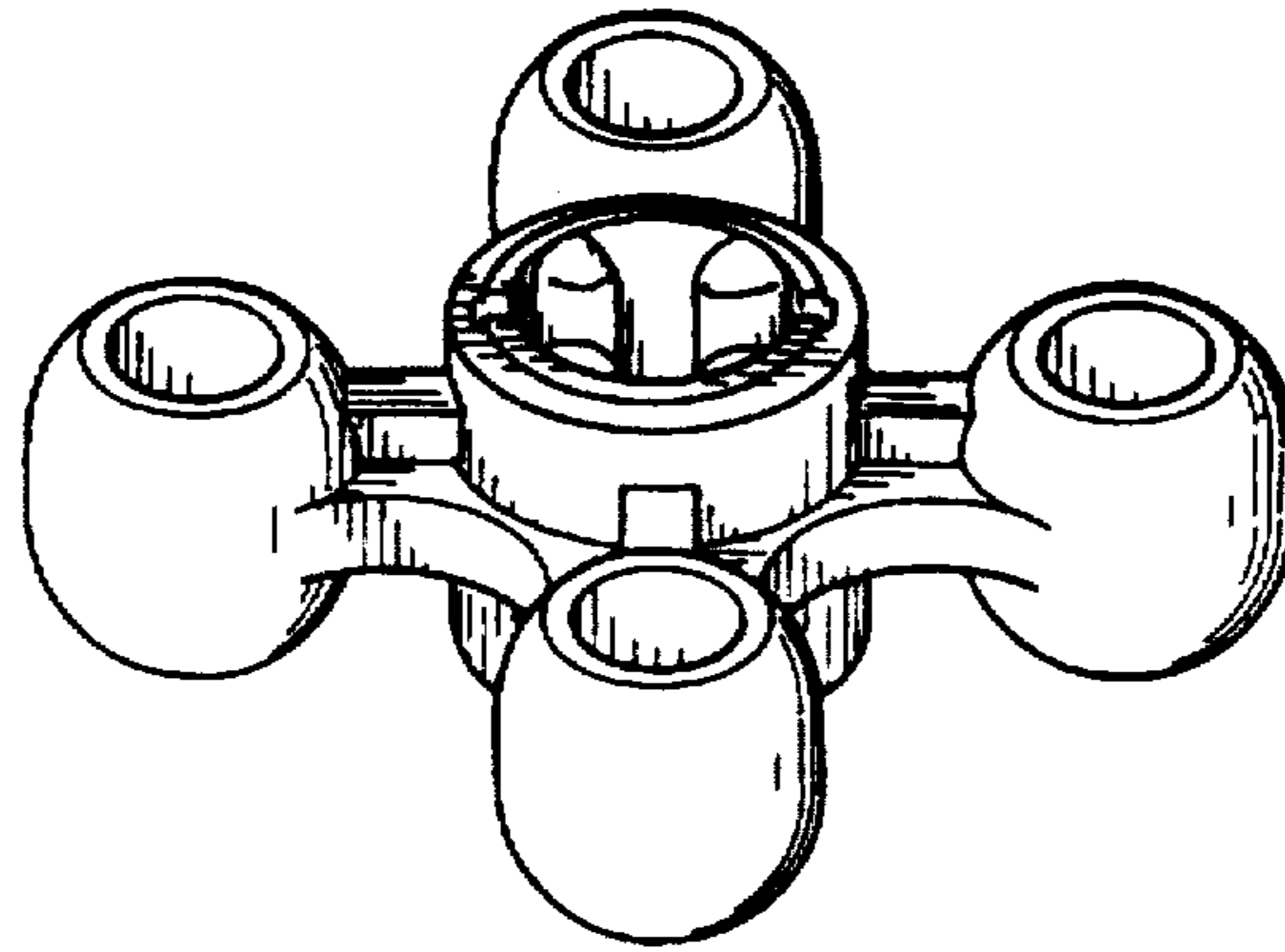
FIG. 1 is a top perspective view of the toy building element;
FIG. 2 is a bottom perspective view thereof;
FIG. 3 is a front elevational view thereof;
FIG. 4 is a right side elevational view thereof;
FIG. 5 is a left side elevational view thereof;
FIG. 6 is a rear elevational view thereof;
FIG. 7 is a bottom plan view thereof; and,
FIG. 8 is a top plan view thereof.

[56] **References Cited**

U.S. PATENT DOCUMENTS

D. 108,098 1/1938 Gilbert D21/108
D. 327,103 6/1992 Poulsen et al. D21/141
D. 328,328 7/1992 Juarez D21/108
D. 364,199 11/1995 Schmidt et al. D21/108
D. 373,152 8/1996 Thomasen D21/108
4,078,328 3/1978 Rayment 446/126

1 Claim, 2 Drawing Sheets



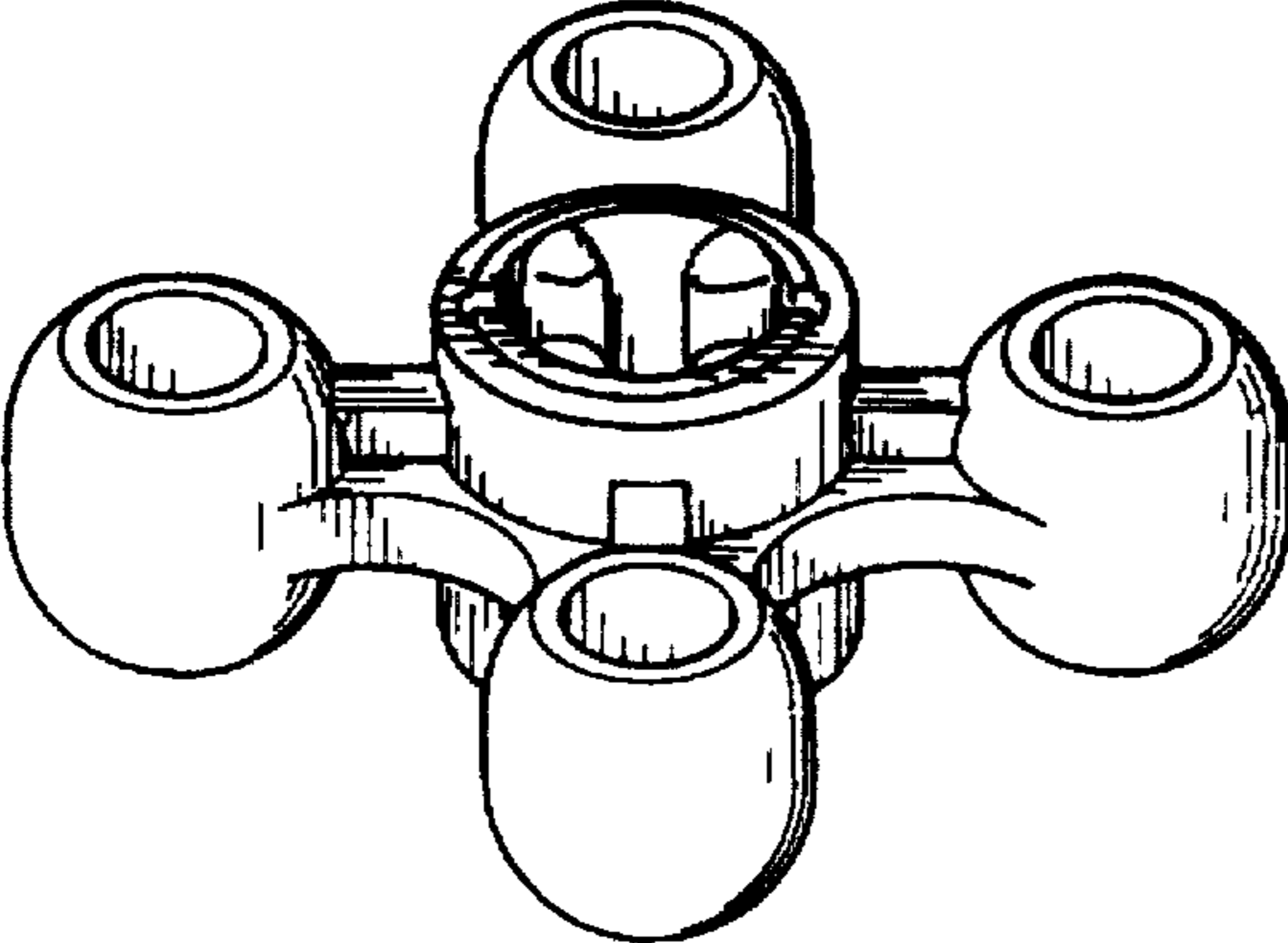


Fig. 1

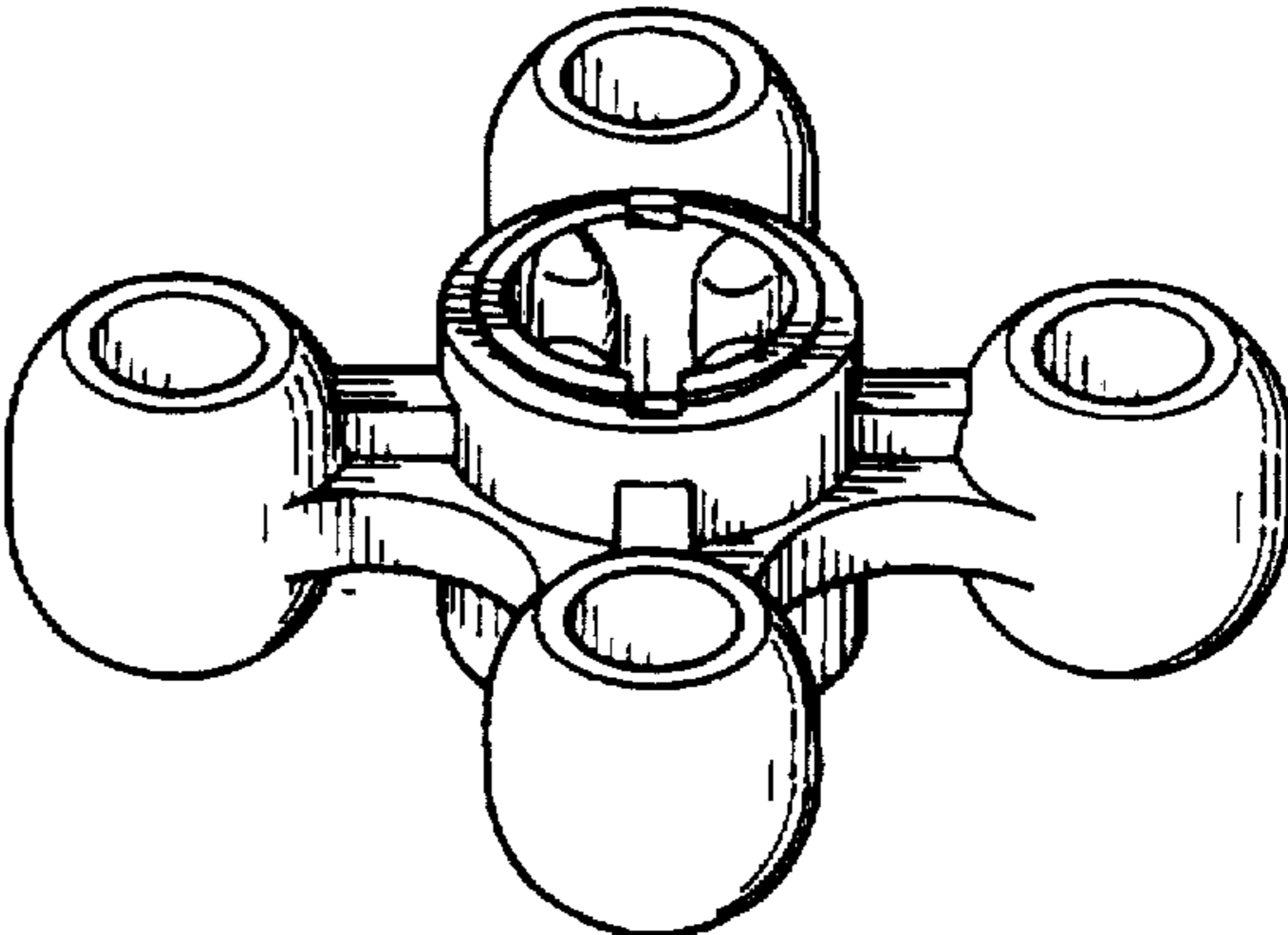


Fig. 2

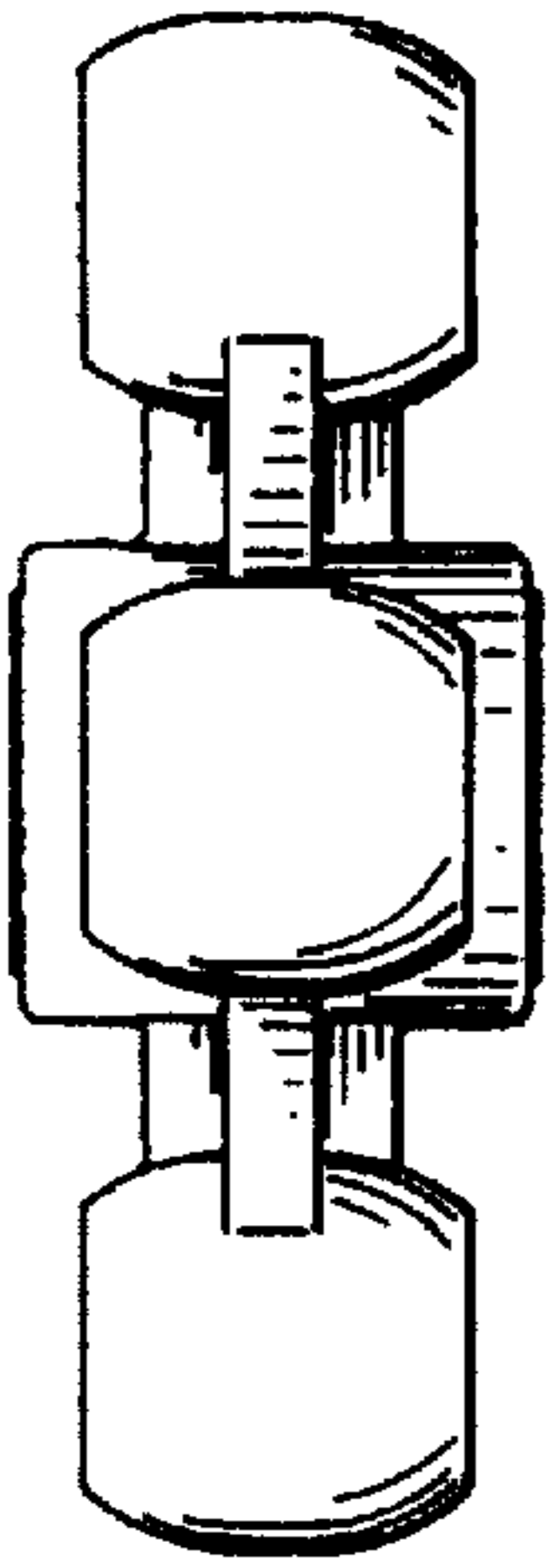


Fig. 4

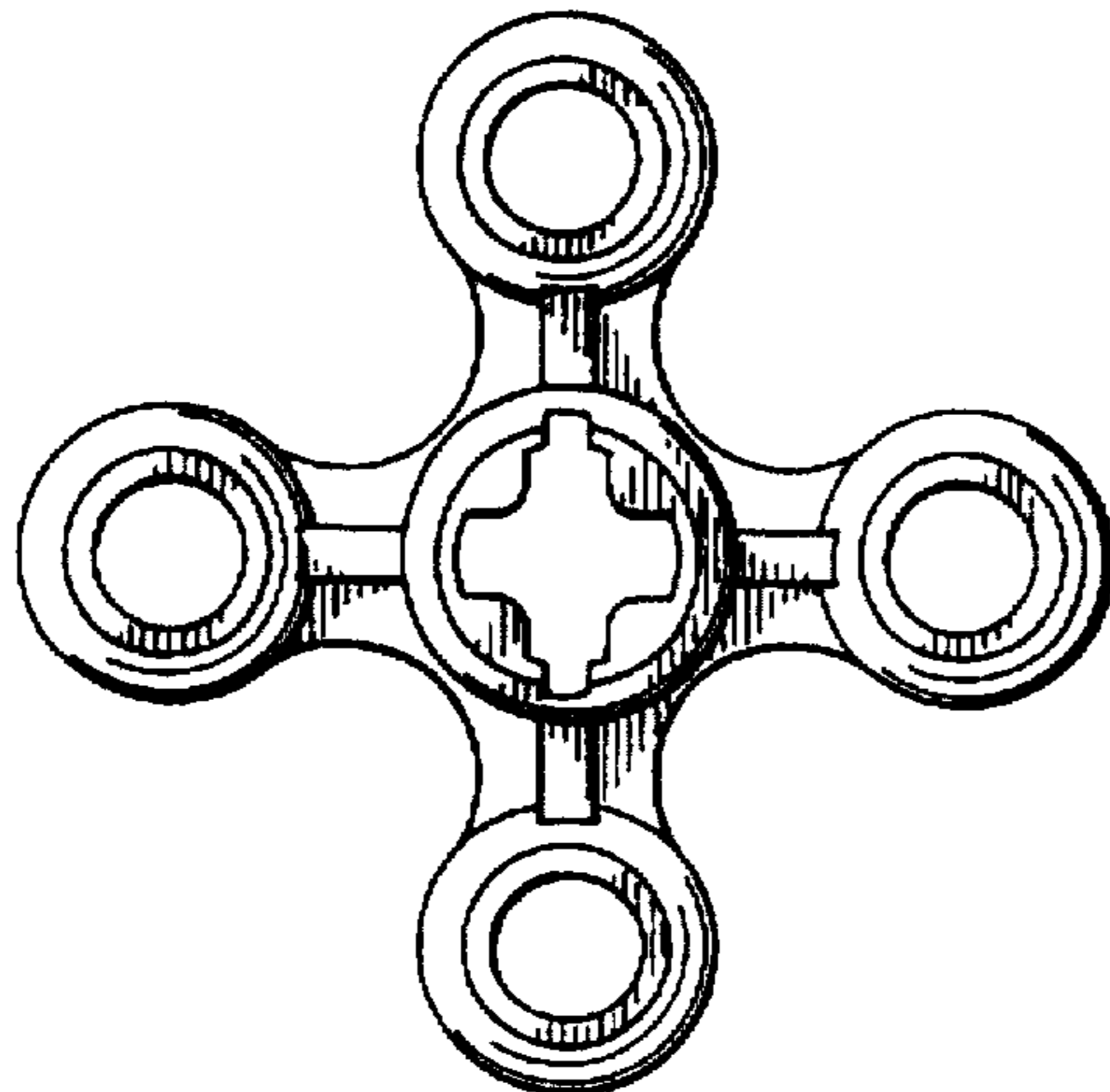


Fig. 7

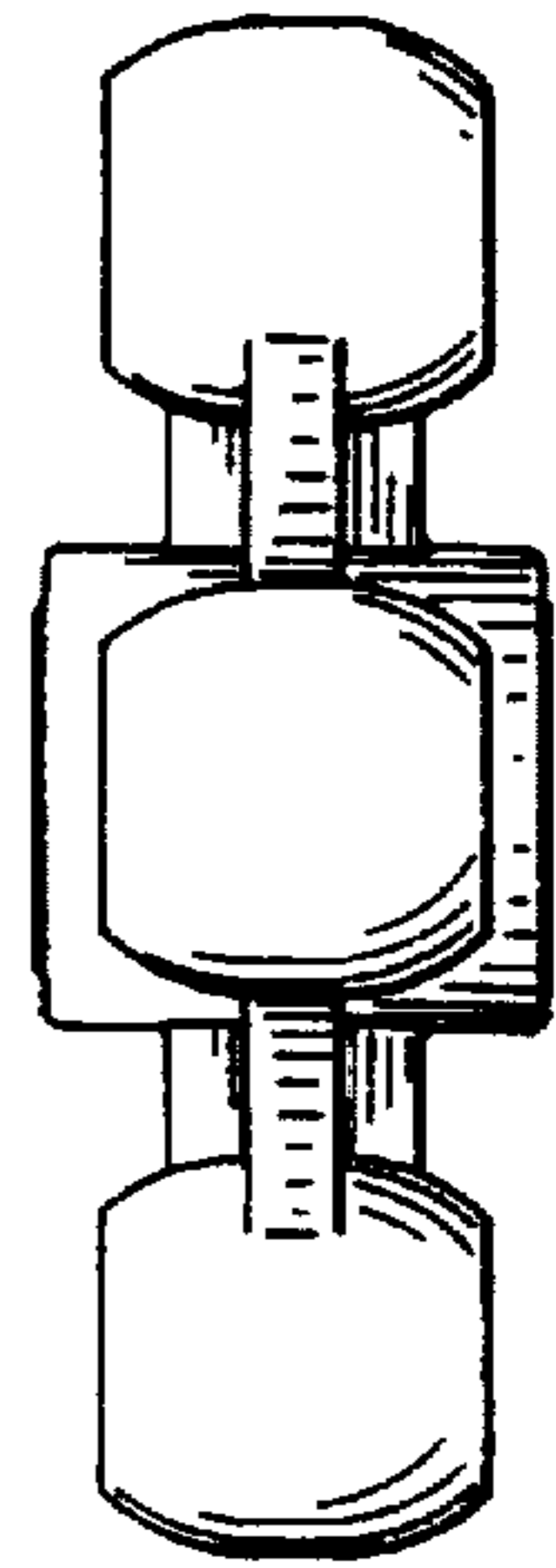


Fig. 5

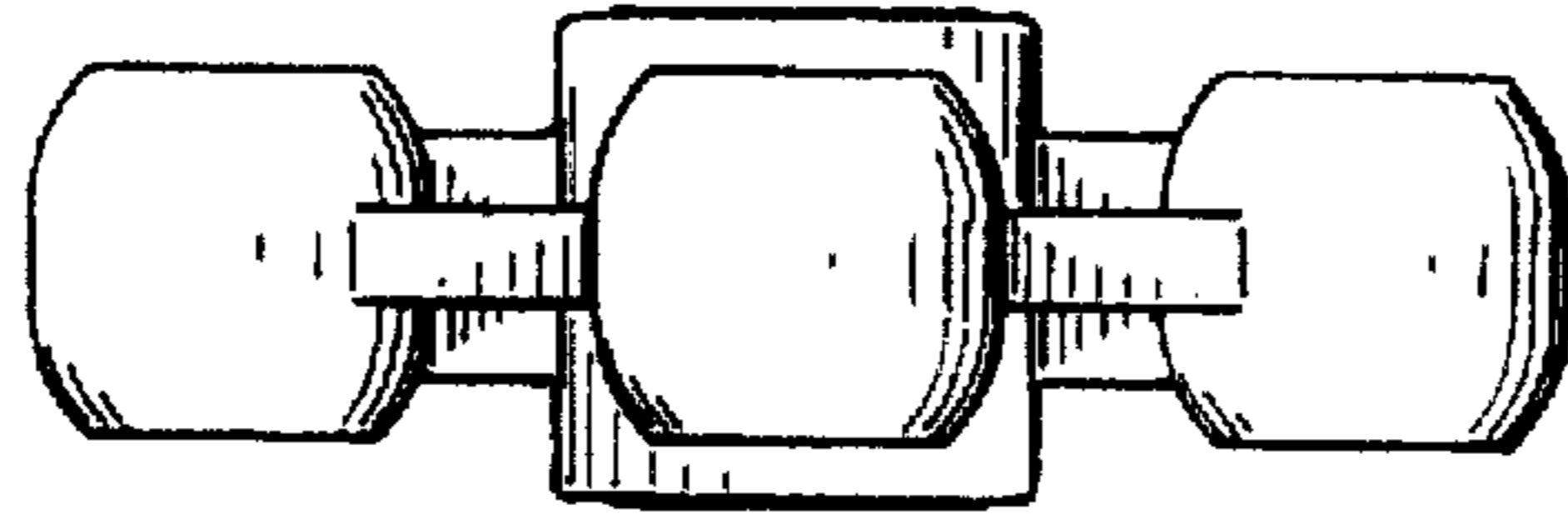


Fig. 3

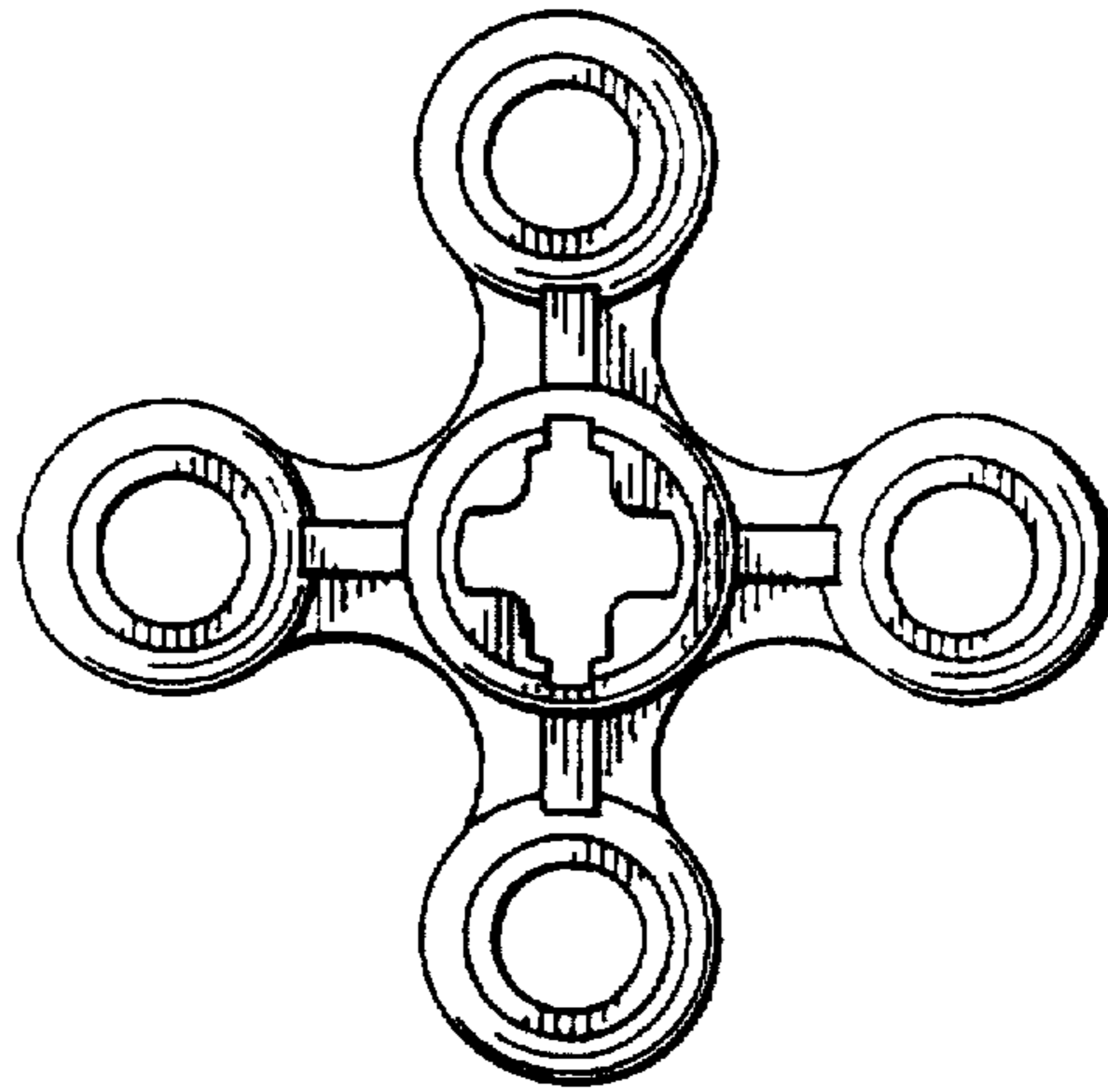


Fig. 8

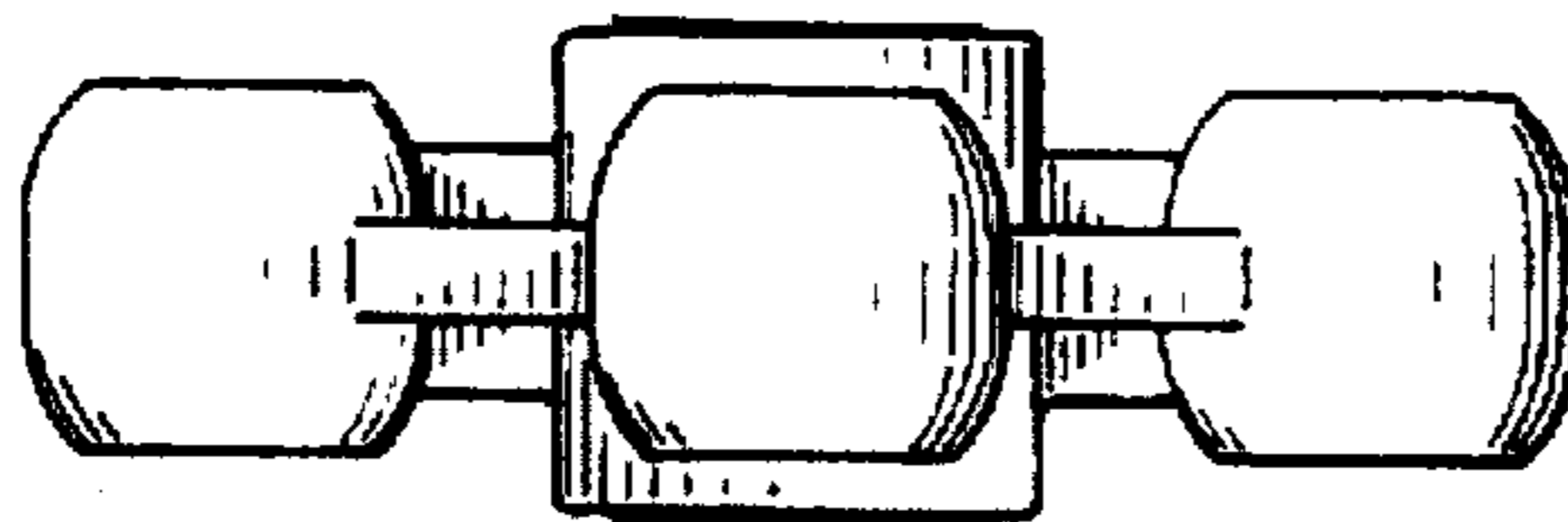


Fig. 6