



US00D396499S

**United States Patent** [19]  
**Larws**

[11] **Patent Number:** **Des. 396,499**  
[45] **Date of Patent:** **\*\*Jul. 28, 1998**

[54] **CONSTRUCTION GAME ELEMENT**

[75] **Inventor:** **Peter Karl Walter Larws**, Usingen, Germany

[73] **Assignee:** **Palimondial S.A.**, Luxembourg, Luxembourg

[\*\*] **Term:** **14 Years**

[21] **Appl. No.:** **72,778**

[22] **Filed:** **Jun. 30, 1997**

[51] **LOC (6) Cl.** ..... **21-01**

[52] **U.S. Cl.** ..... **D21/108**

[58] **Field of Search** ..... **D21/1, 51, 108, D21/109; D25/118; 446/85, 93, 102-115**

[56] **References Cited**

**U.S. PATENT DOCUMENTS**

D. 68,612	11/1925	Branchforti	.....	D25/118
D. 149,346	4/1948	Geib	.....	D21/108
D. 201,485	6/1965	Rulli	.....	D21/108
D. 256,606	8/1980	Lloggard	.....	D21/108
D. 304,469	11/1989	Kovesdi	.....	D21/108
1,779,826	10/1930	Potter	.....	D21/108
2,082,138	6/1937	Badel	.....	D21/108
2,160,792	5/1939	Cantwell	.....	D25/118
2,861,388	11/1958	Favaretto	.....	D21/108
3,290,849	12/1966	Wright	.....	D25/118
3,425,093	2/1969	Hufgard	.....	446/125

*Primary Examiner*—Raphael Barkai  
*Attorney, Agent, or Firm*—Thomas S. Baker, Jr.

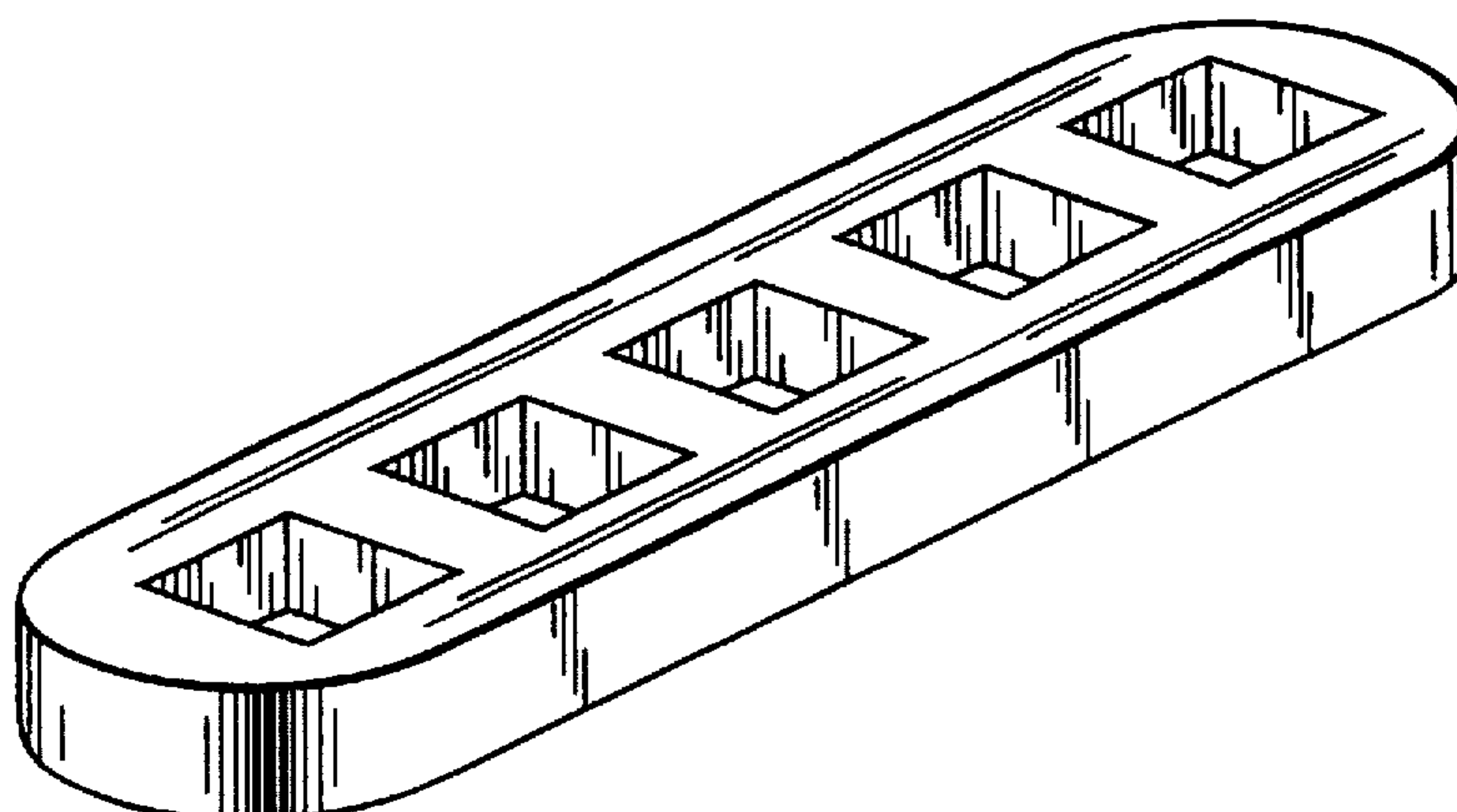
[57] **CLAIM**

The ornamental design for a construction game element, as shown and described.

**DESCRIPTION**

FIG. 1 is a perspective view of the construction game element of the present invention;  
 FIG. 2 is a rear view of the construction game element of the present invention;  
 FIG. 3 is a top view of the construction game element of the present invention;  
 FIG. 4 is a front view of the construction game element of the present invention;  
 FIG. 5 is a bottom view of the construction game element of the present invention;  
 FIG. 6 is a side view of the construction game element of the present invention;  
 FIG. 7 is an opposite side view of the construction game element of the present invention;  
 FIG. 8 is a perspective view of an alternate extended embodiment of the construction game element of the present invention;  
 FIG. 9 is a rear view of the alternate extended embodiment of the construction game element of the present invention;  
 FIG. 10 is a top view of the alternate extended embodiment of the construction game element of the present invention;  
 FIG. 11 is a front view of the alternate extended embodiment of the construction game element of the present invention;  
 FIG. 12 is a bottom view of the alternate extended embodiment of the construction game element of the present invention;  
 FIG. 13 is a side view of the alternate extended embodiment of the construction game element of the present invention;  
 and,  
 FIG. 14 is an opposite side view of the alternate extended embodiment of the construction game element of the present invention.

**1 Claim, 2 Drawing Sheets**



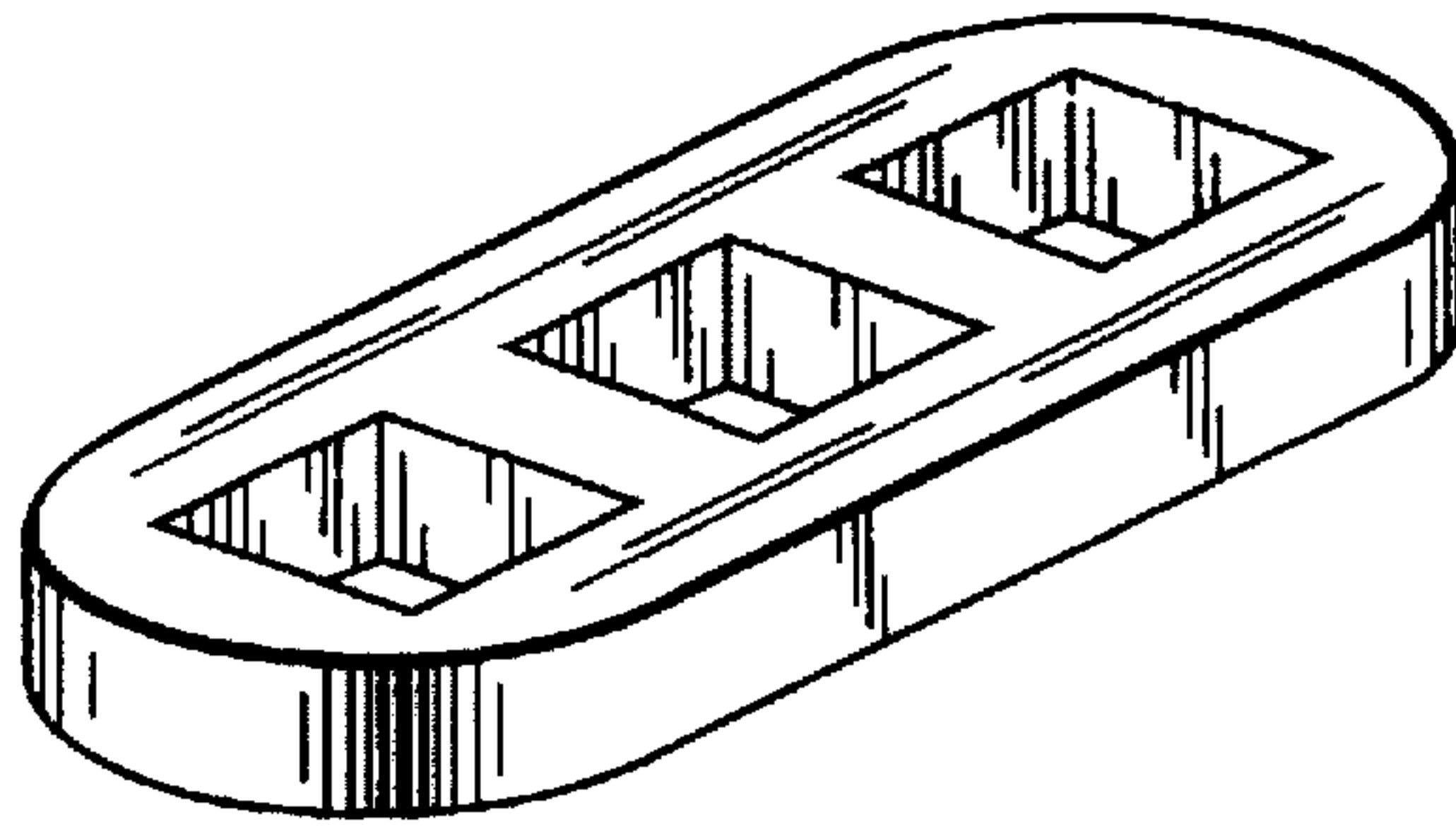


FIG. 1



FIG. 2

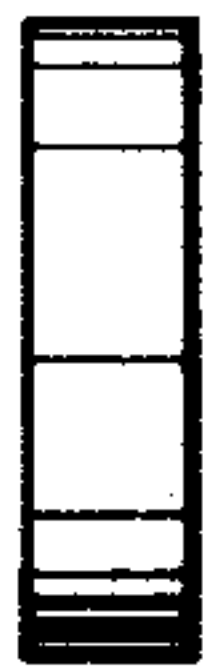


FIG. 6

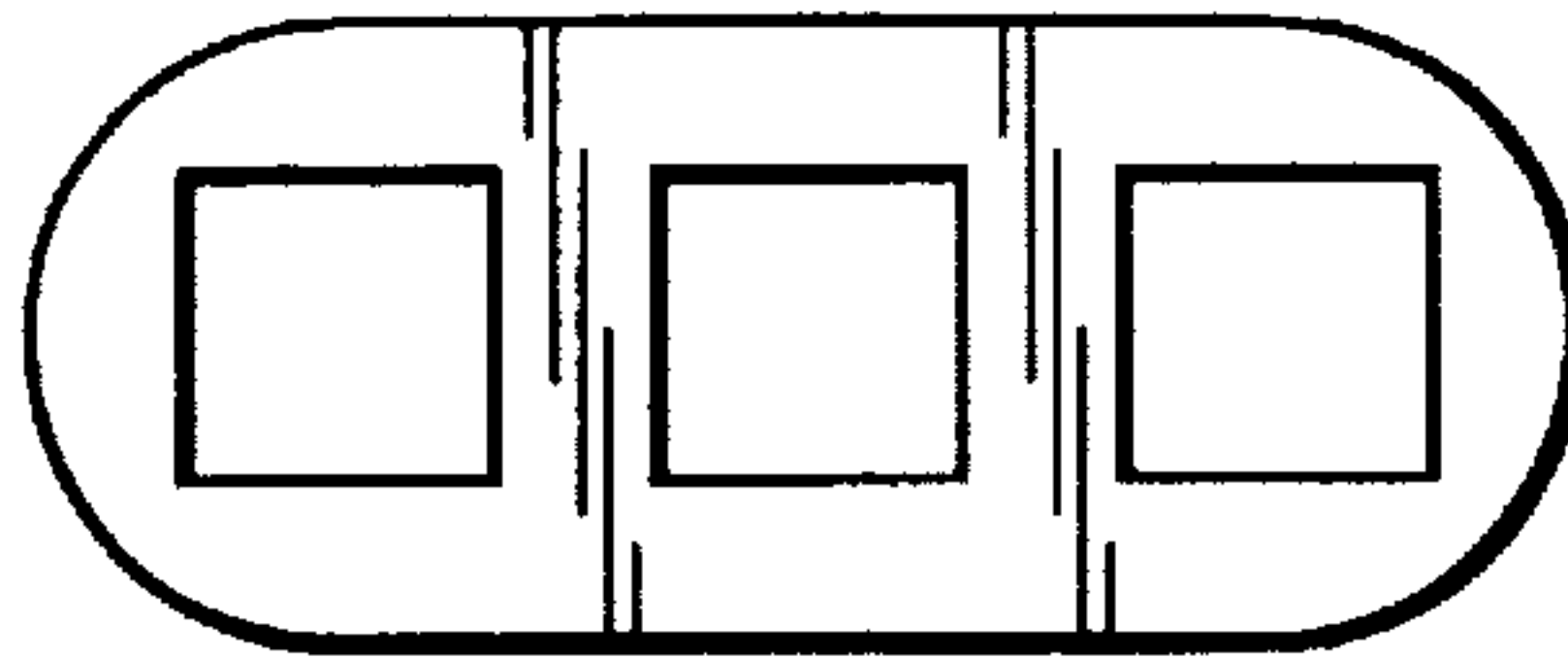


FIG. 3



FIG. 7



FIG. 4

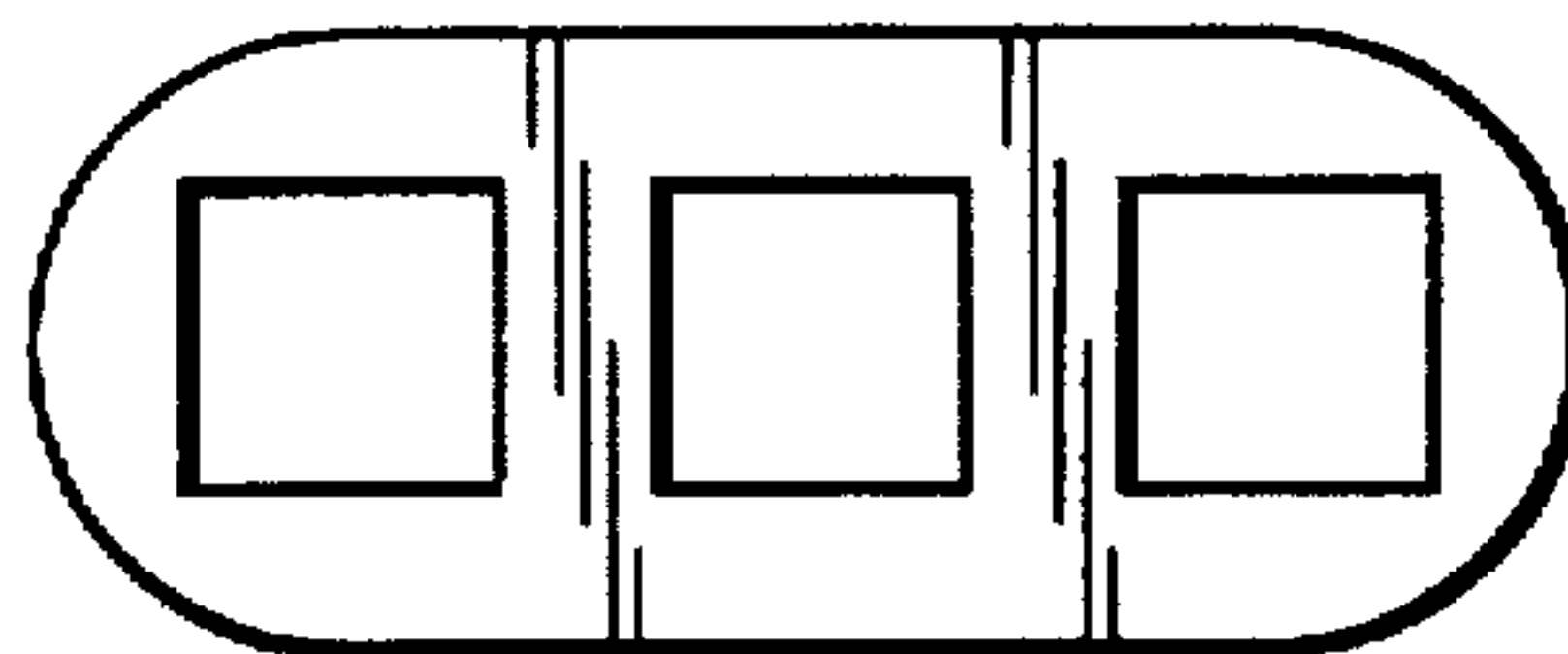


FIG. 5

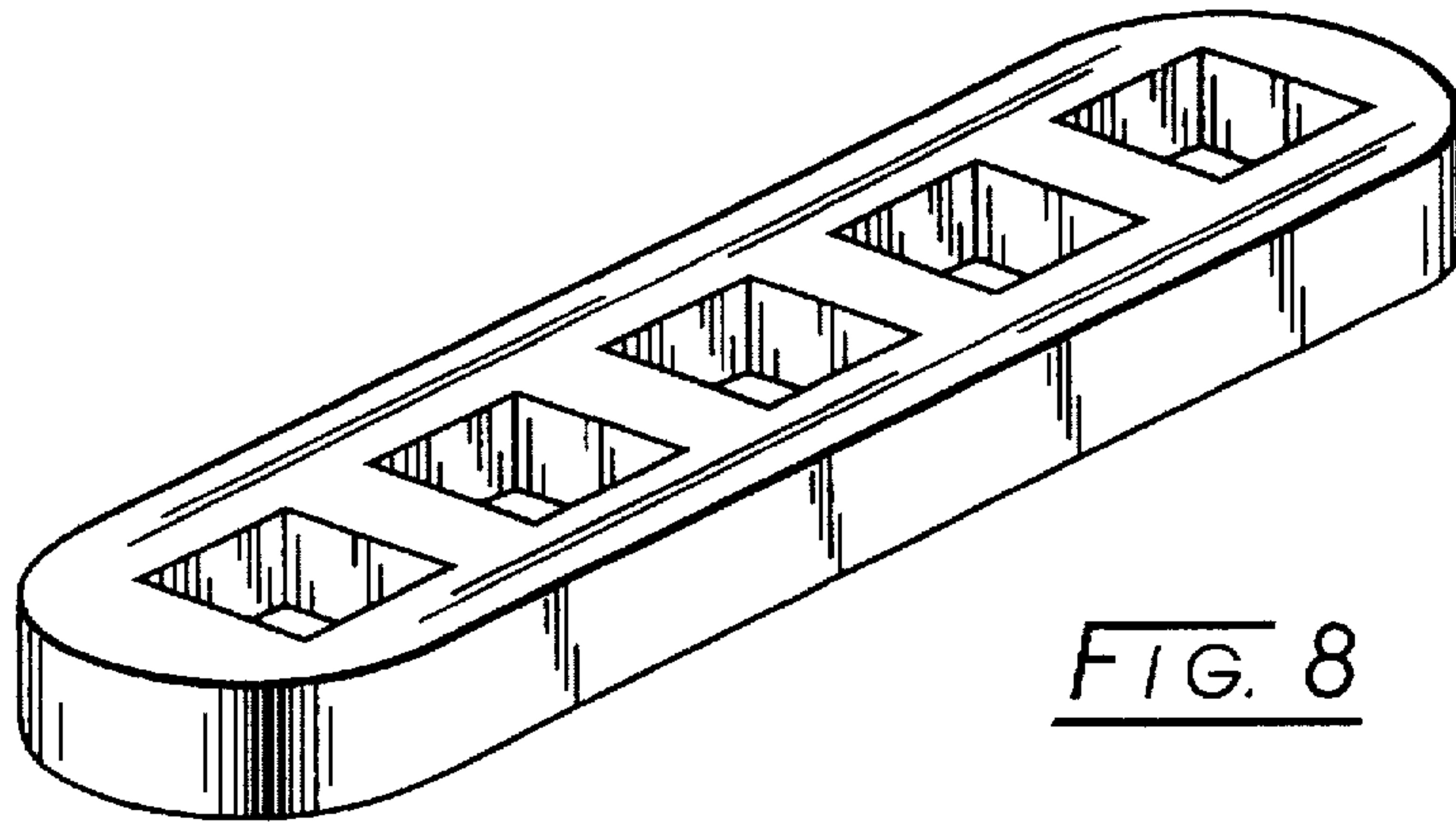


FIG. 8



FIG. 9

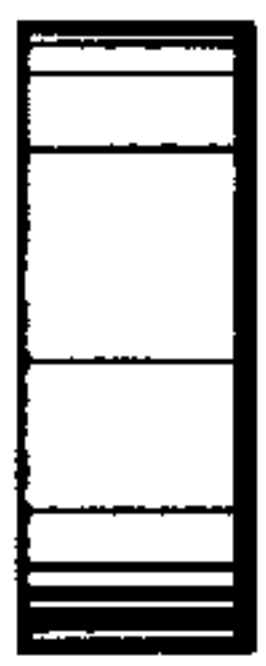


FIG. 13

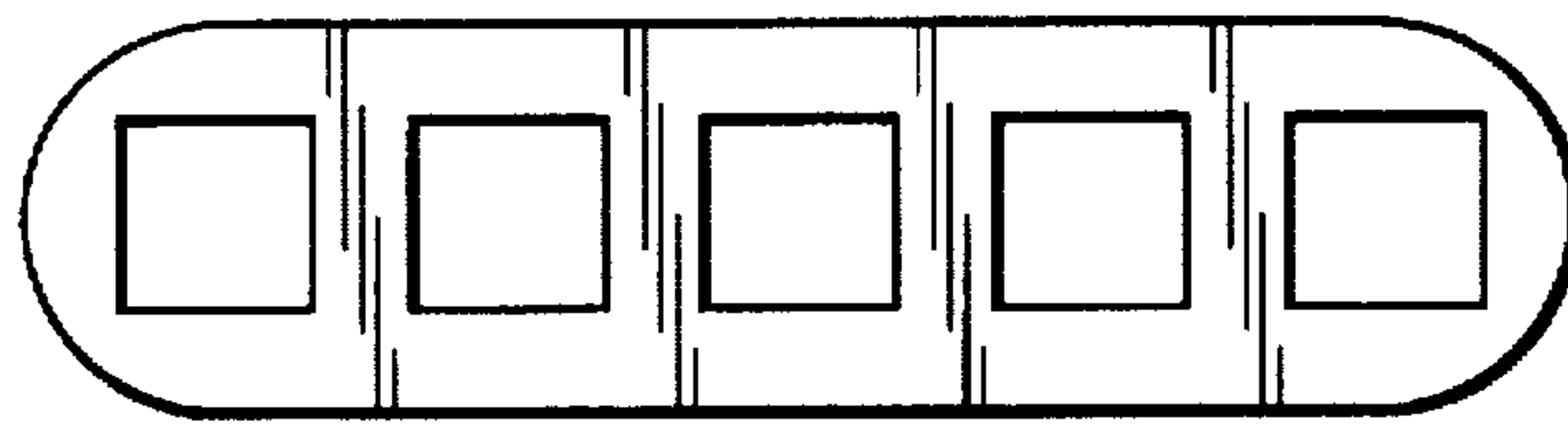


FIG. 10

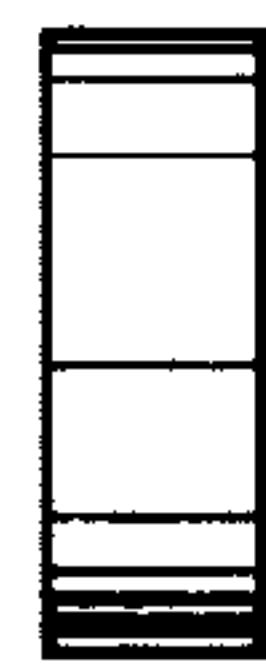


FIG. 14



FIG. 11

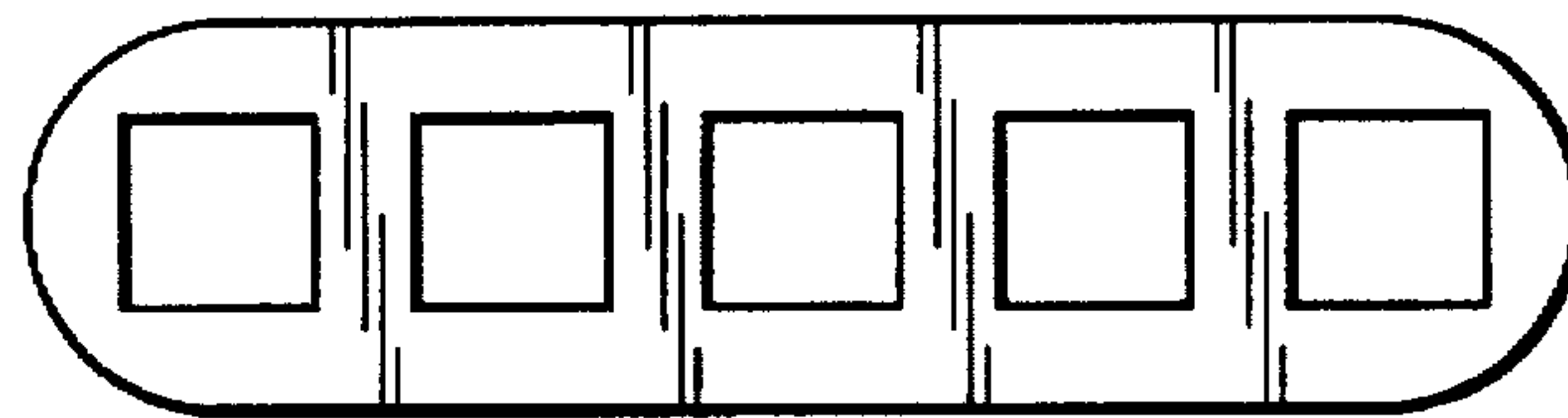


FIG. 12