



US00D396490S

# United States Patent [19] Jack

[11] Patent Number: **Des. 396,490**  
[45] Date of Patent: **\*\*Jul. 28, 1998**

[54] **MULTI-PURPOSE INFORMATION CENTER**

[75] Inventor: **Douglas M. Jack**, Fullerton, Calif.

[73] Assignee: **Day Runner, Inc.**, Fullerton, Calif.

[\*\*] Term: **14 Years**

[21] Appl. No.: **75,432**

[22] Filed: **Aug. 20, 1997**

[51] LOC (6) Cl. .... **19-06**

[52] U.S. Cl. .... **D19/52; D20/42**

[58] Field of Search ..... 40/124, 124.2,  
40/124.4, 121, 107, 122; D6/570, 571,  
567, 569; D19/52, 90, 91; 434/430; D20/10,  
42, 19, 18

[56] **References Cited**

**U.S. PATENT DOCUMENTS**

D. 251,523	4/1979	Rylander	.....	D20/43 X
D. 274,589	7/1984	Christensen et al.	.....	D19/52
D. 278,493	4/1985	Brescia et al.	.....	D6/570
D. 358,608	5/1995	Mak	.....	D19/52
D. 363,313	10/1995	Willems	.....	D19/90
D. 371,806	7/1996	Boone et al.	.....	D19/52
D. 388,459	12/1997	Jack	.....	D19/52

D. 390,263	2/1998	Jack	.....	D19/52
4,703,571	11/1987	McCarthy	.....	40/120 X
5,713,146	2/1998	Reeves, Sr.	.....	40/611

**OTHER PUBLICATIONS**

Boise Cascade Office Products Catalog, 1996, pp. 276-278; 283-290; 654-655; 657-661.

*Primary Examiner*—Susan J. Lucas

*Assistant Examiner*—Jennifer Rivard

*Attorney, Agent, or Firm*—Pretty, Schroeder & Poplawski

[57] **CLAIM**

The ornamental design for a multi-purpose information center, as shown and described.

**DESCRIPTION**

FIG. 1 is a front perspective view of a multi-purpose information center;

FIG. 2 is a top view thereof;

FIG. 3 is a front view thereof;

FIG. 4 is a bottom view thereof;

FIG. 5 is a left side view thereof; and,

FIG. 6 is a right side view thereof.

The back of the multi-purpose information center is plain and unornamented.

**1 Claim, 3 Drawing Sheets**

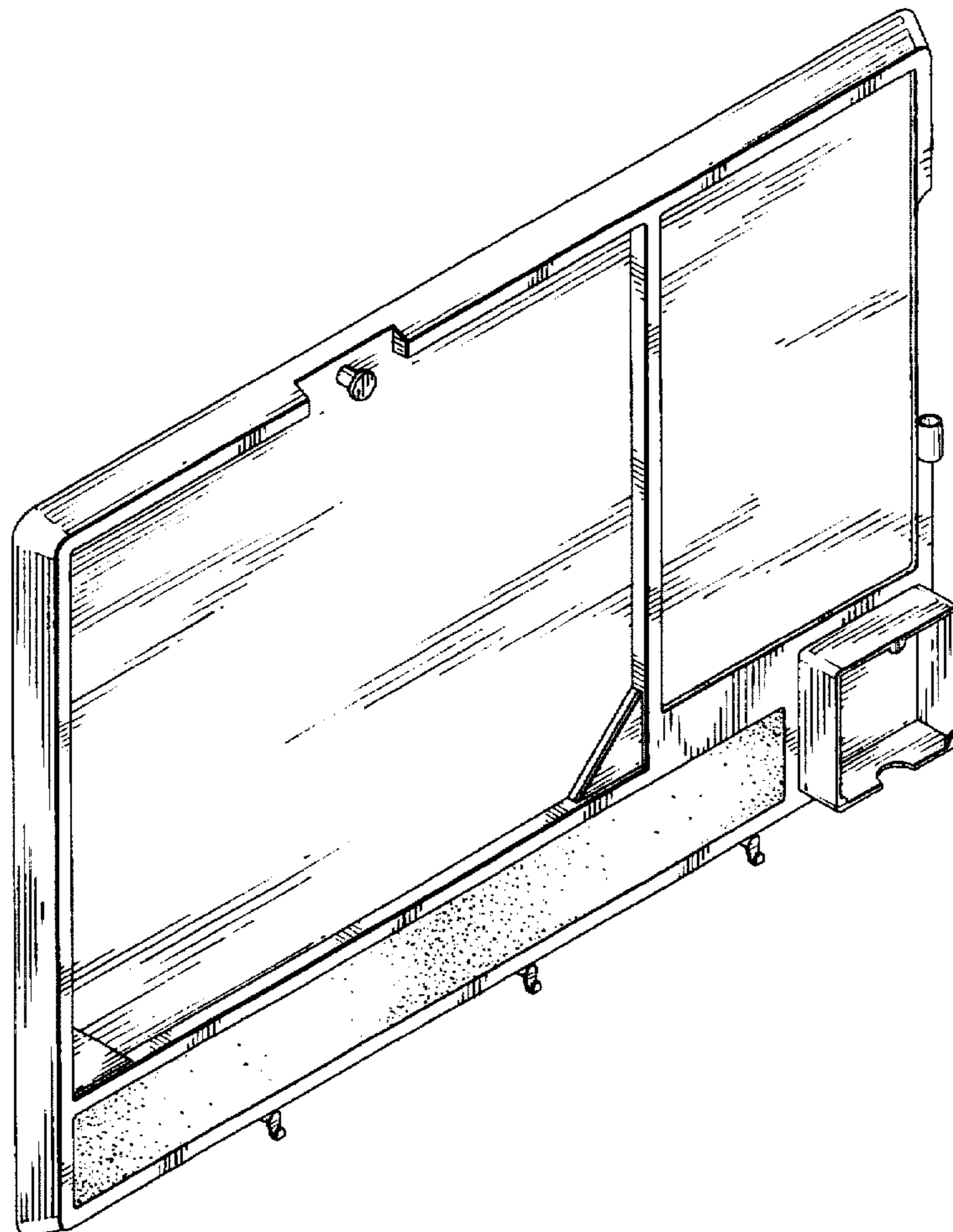


FIG. 1

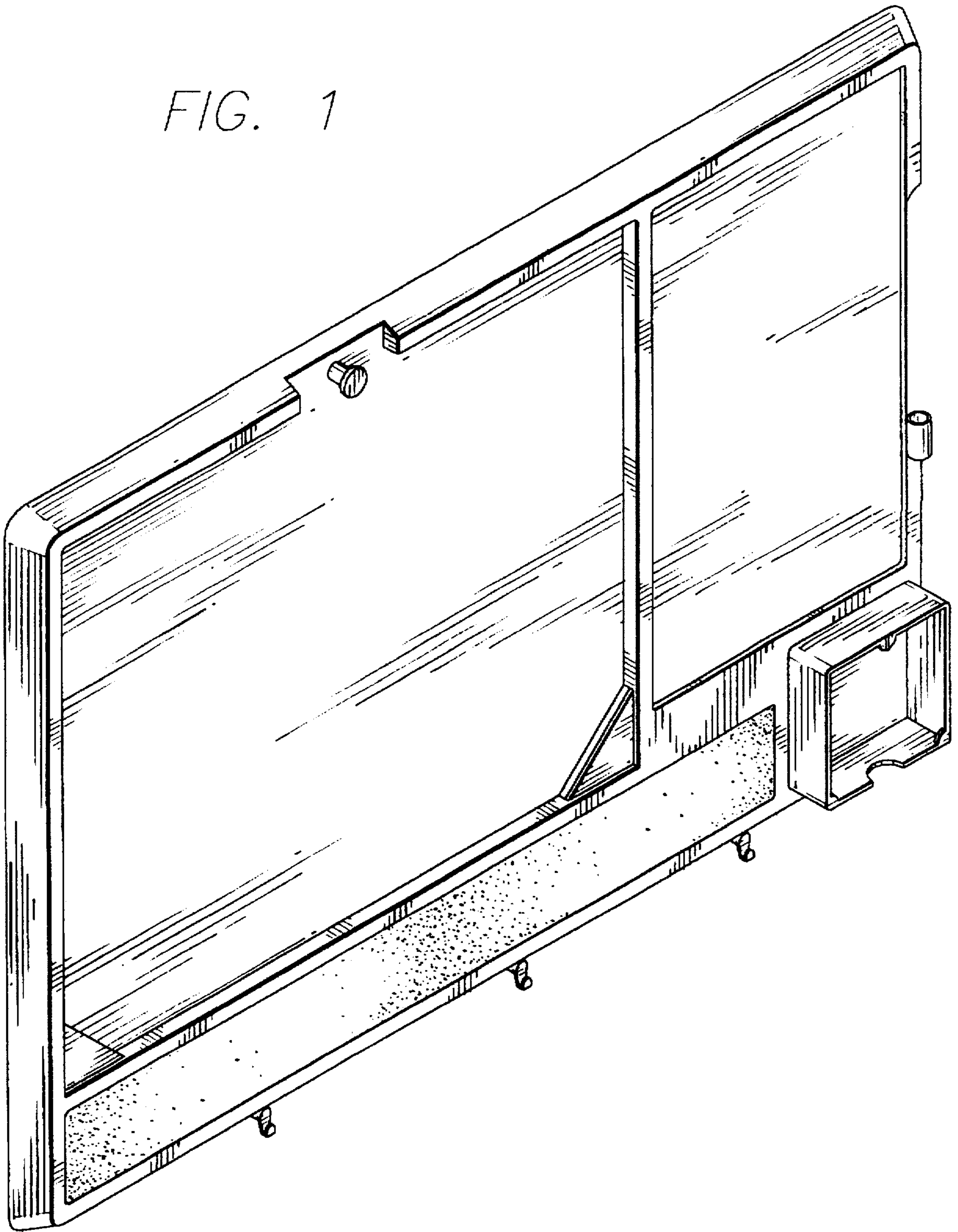


FIG. 2

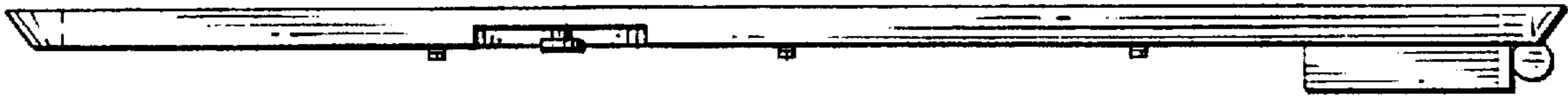


FIG. 3

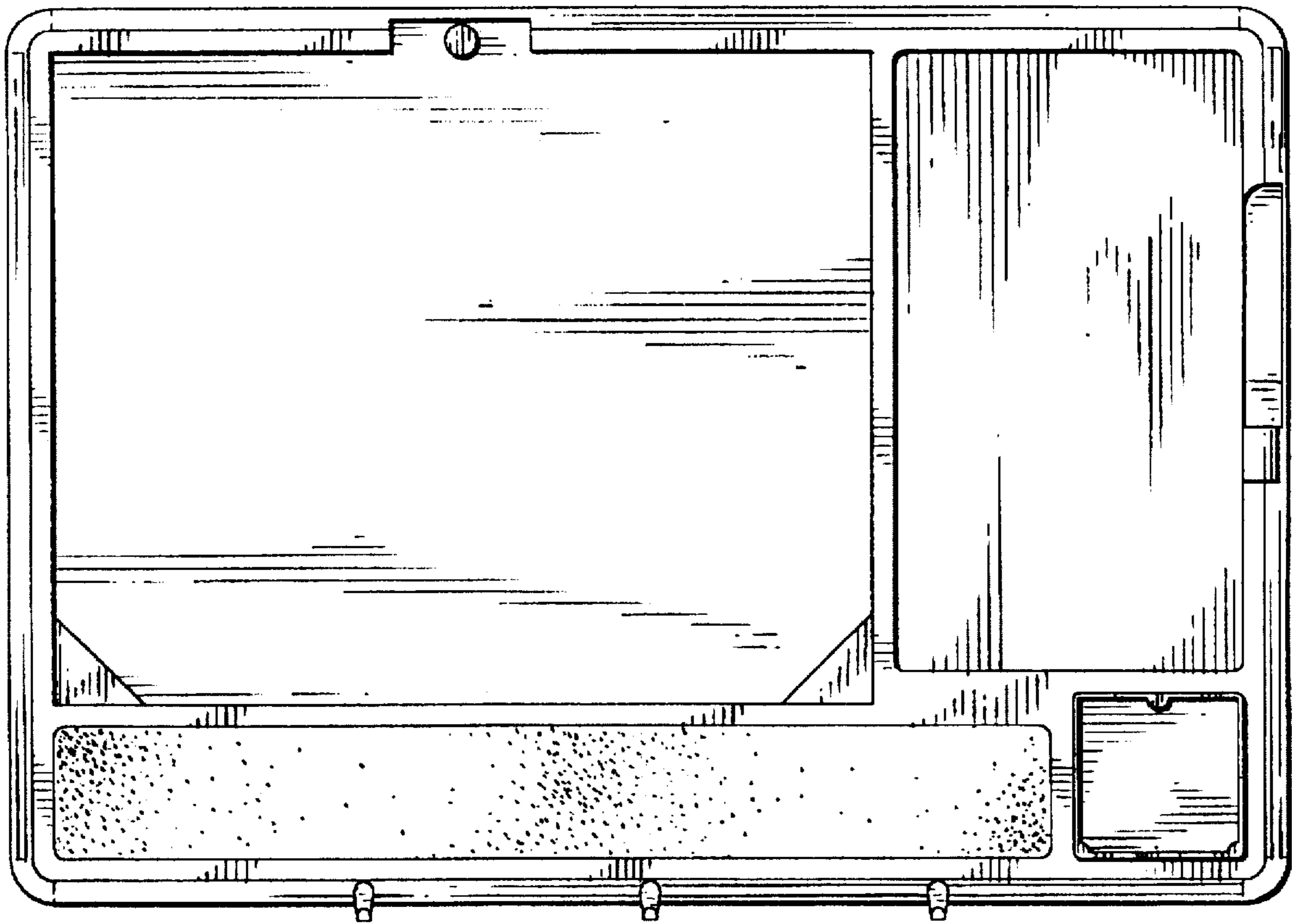


FIG. 4





FIG. 5

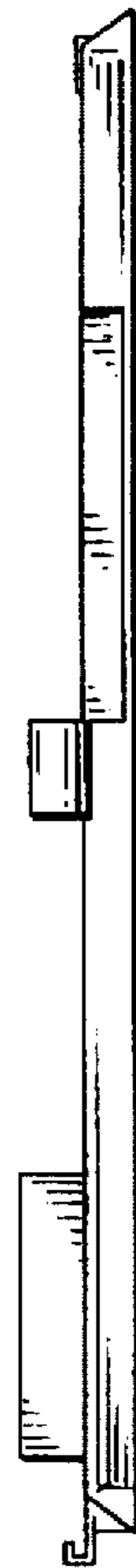


FIG. 6