



US00D396480S

United States Patent [19]
Kung

[11] **Patent Number: Des. 396,480**
[45] **Date of Patent: **Jul. 28, 1998**

[54] **BINOCULAR**
[76] **Inventor: Su-Min Kung**, 8F. No. 276-2, Sec. 1,
Tai-Tung Road, Hsichih, Taiwan
[**] **Term: 14 Years**
[21] **Appl. No.: 72,891**
[22] **Filed: Apr. 22, 1997**
[51] **LOC (6) Cl. 16-06**
[52] **U.S. Cl. D16/133**
[58] **Field of Search** D16/130, 131,
D16/132, 133; 359/408, 409, 410, 411,
412, 413, 414, 415, 416, 417, 418, 419,
421, 422

D. 361,777 8/1995 Akabane et al. D16/133
3,484,149 12/1969 Becker et al. 359/414
4,325,602 4/1982 Lange 359/413 X

Primary Examiner—Paula A. Mortimer
Attorney, Agent, or Firm—Browdy and Neimark

[57] **CLAIM**

The ornamental design for binocular, as shown and described.

DESCRIPTION

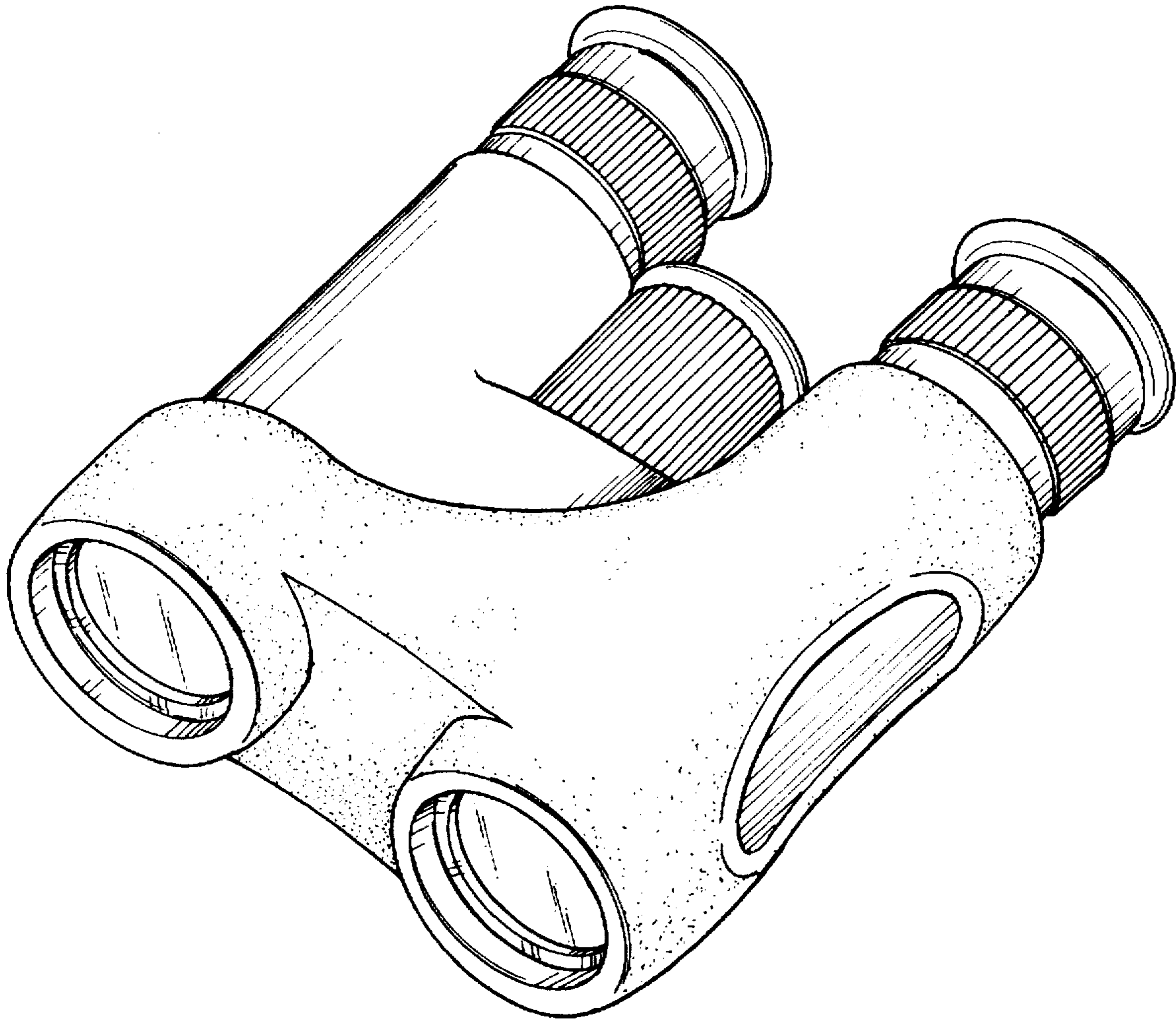
FIG. 1 is a perspective view of binocular showing my new design;
FIG. 2 is a front elevational view thereof;
FIG. 3 is a rear elevational view thereof;
FIG. 4 is a left side elevational view thereof;
FIG. 5 is a right side elevational view thereof;
FIG. 6 is a top view thereof; and,
FIG. 7 is a bottom view thereof.

[56] **References Cited**

U.S. PATENT DOCUMENTS

D. 223,298 4/1972 Senda D16/133
D. 246,653 12/1977 Tomatsuri D16/133
D. 298,261 10/1988 Ogasawara D16/133

1 Claim, 5 Drawing Sheets



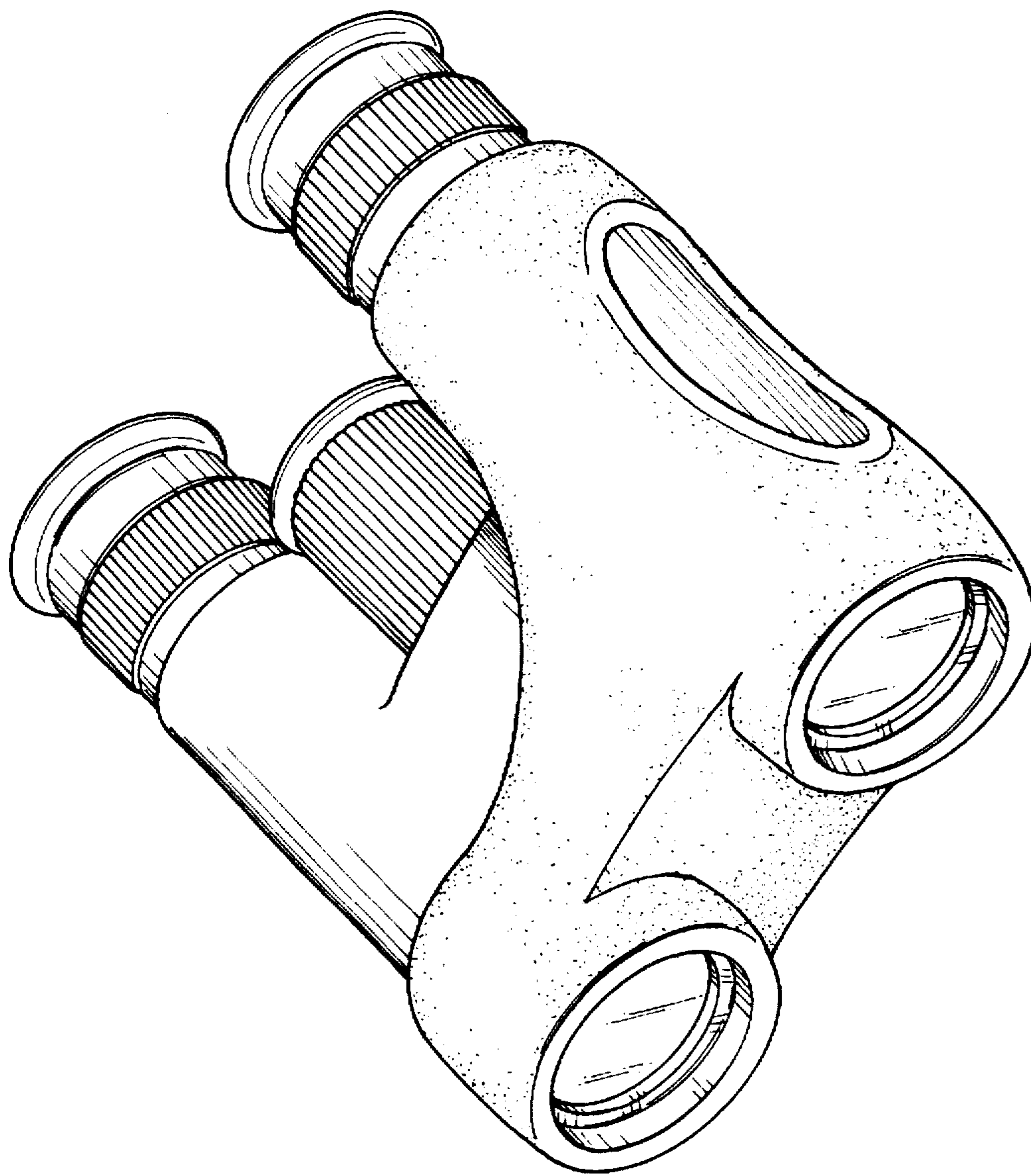


FIG. 1

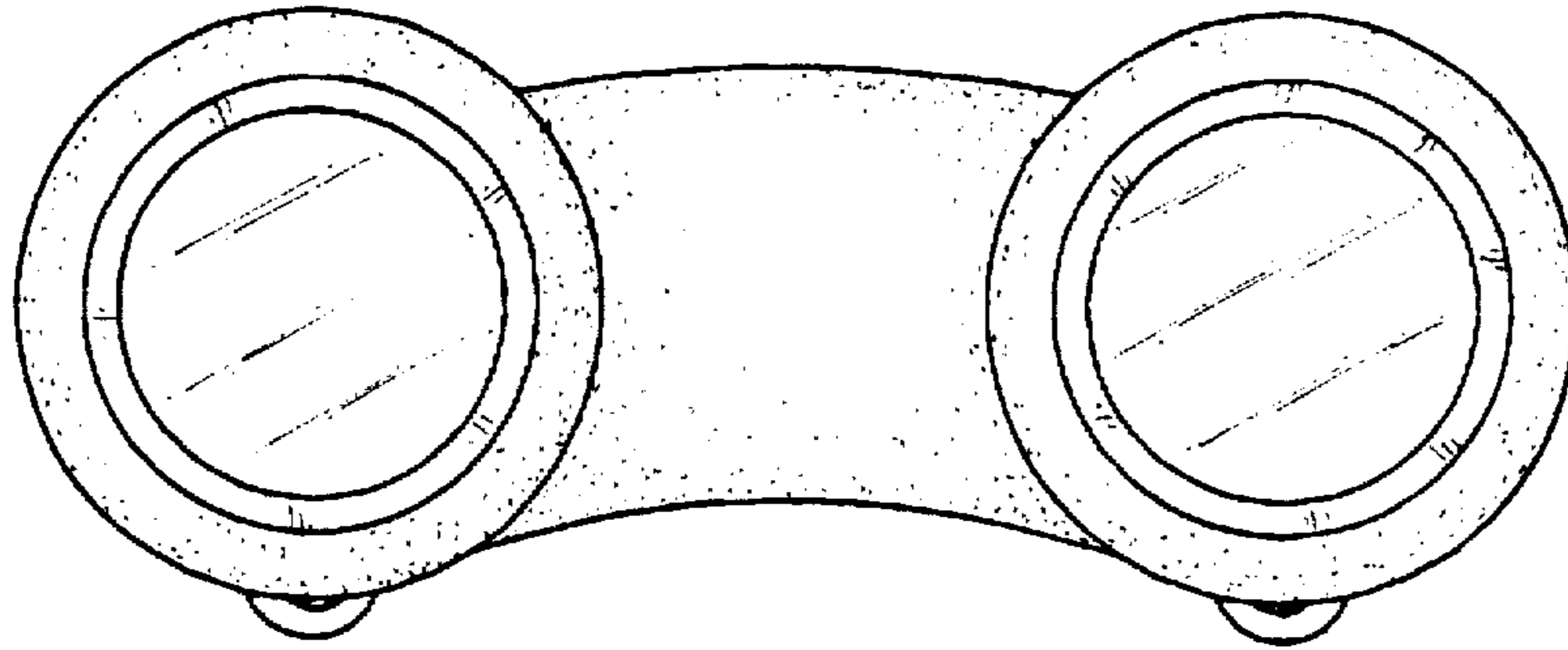


FIG. 2

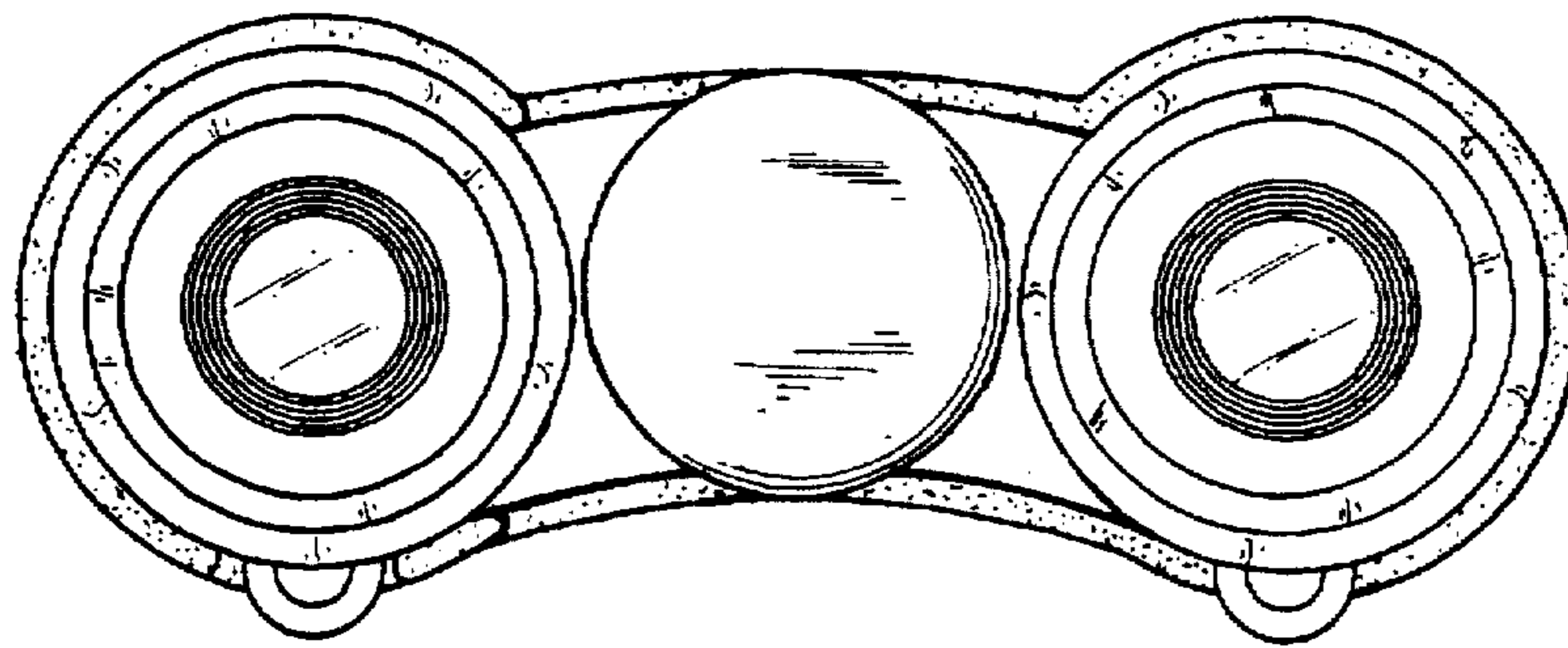


FIG. 3

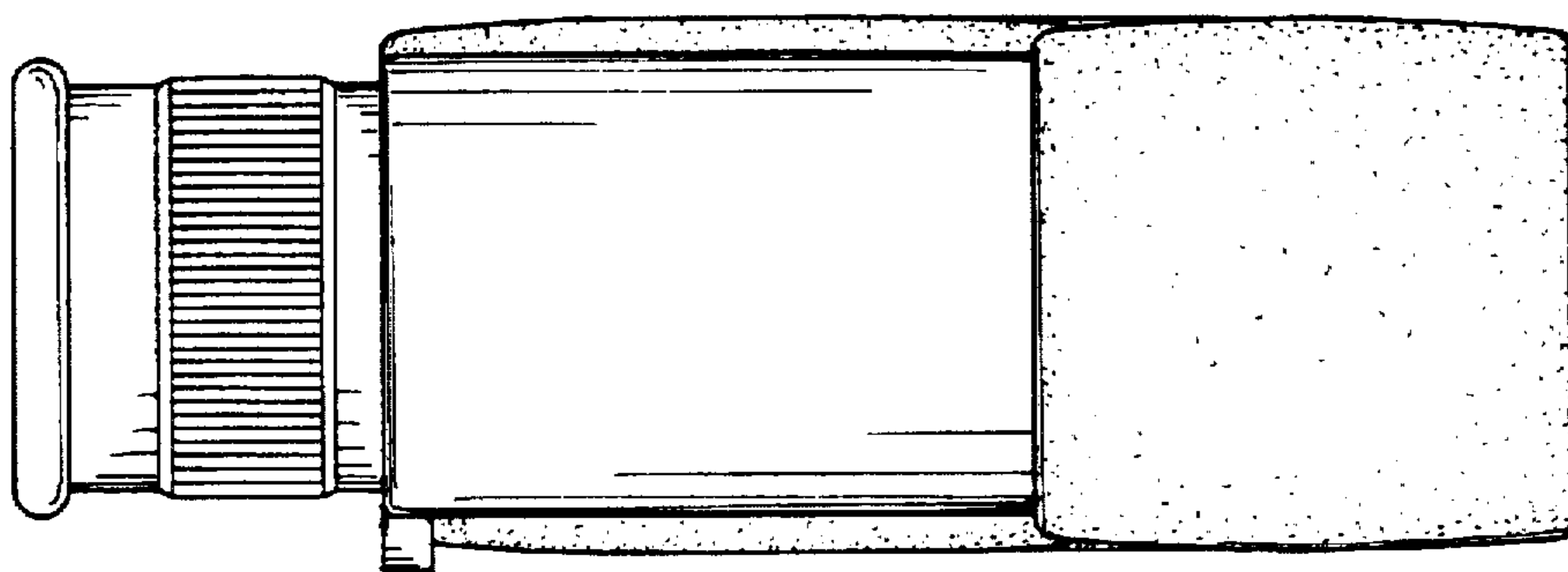


FIG. 4

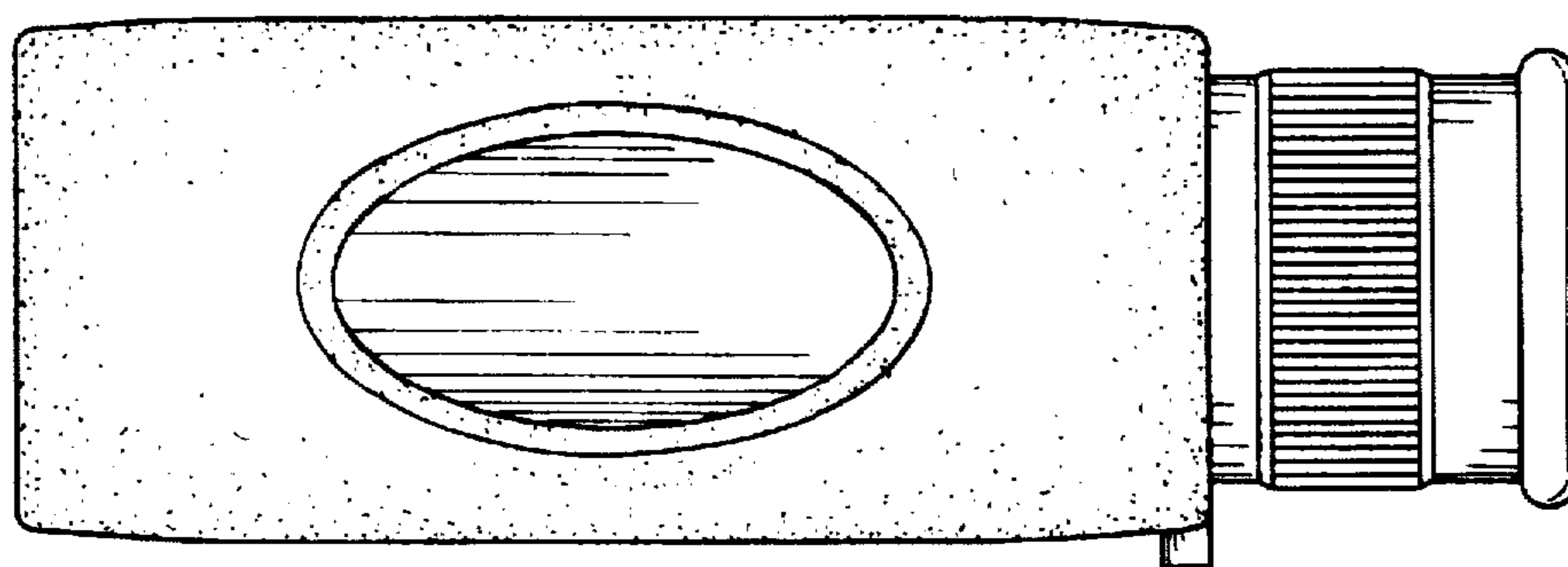


FIG. 5

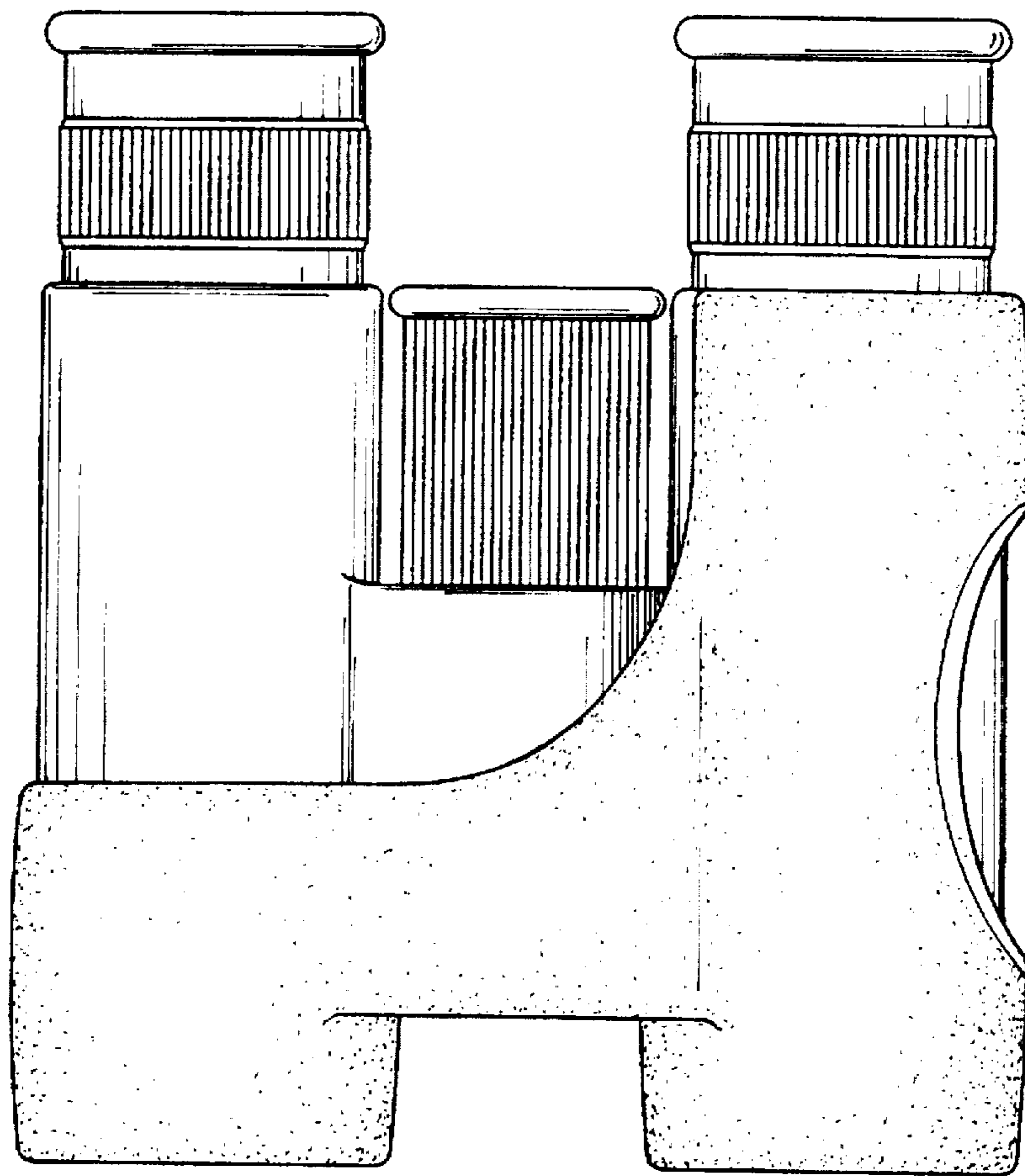


FIG. 6

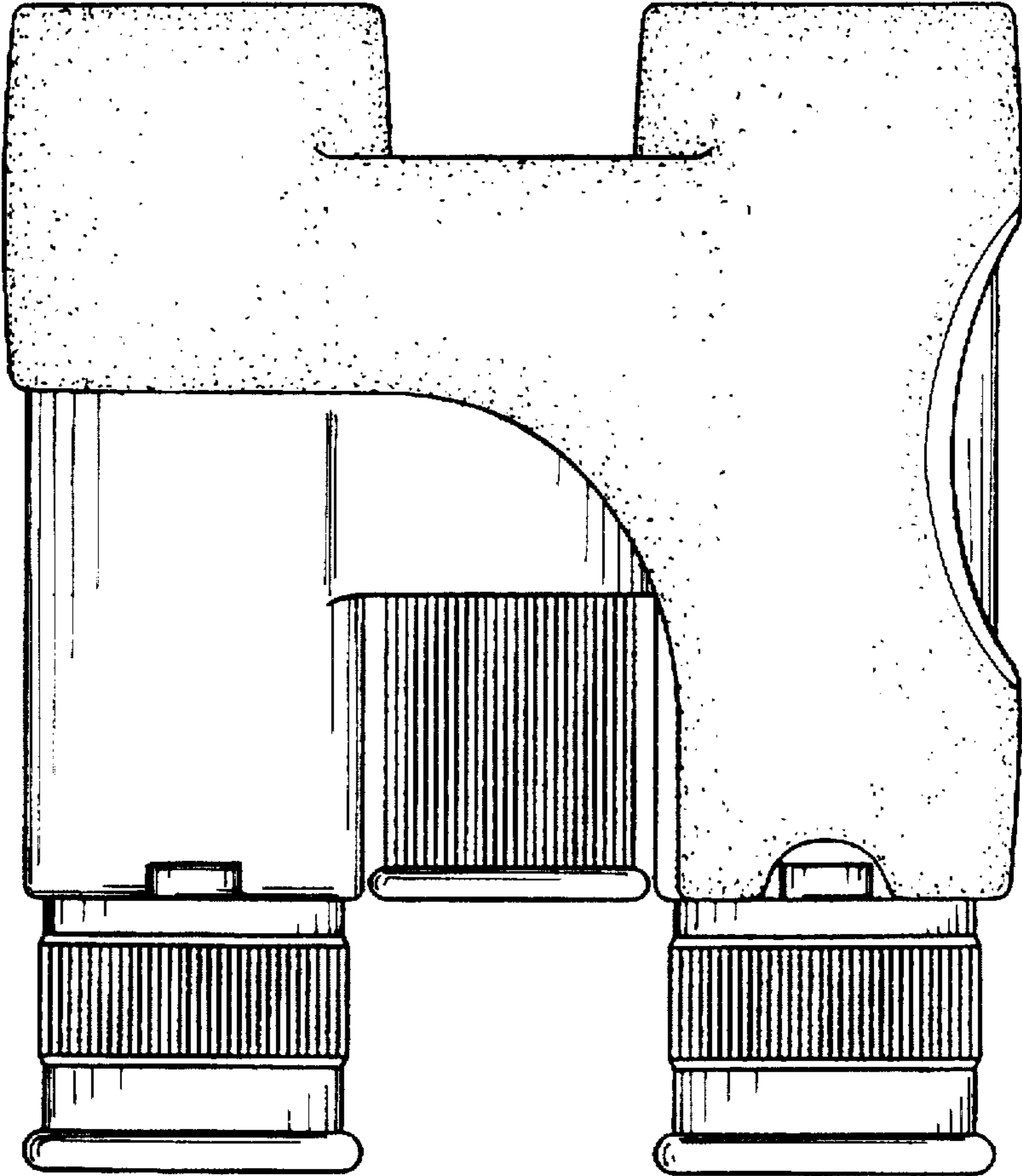


FIG. 7