



US00D396479S

United States Patent [19]

Satran et al.

[11] Patent Number: Des. 396,479

[45] Date of Patent: **Jul. 28, 1998

[54] CUTTING INSERT

[75] Inventors: Amir Satran, Kfar Vradim; Vladimir Zak, Kiryat Bialik, both of Israel

[73] Assignee: Iscar Ltd., Migal Tefen, Israel

[**] Term: 14 Years

[21] Appl. No.: 64,916

[22] Filed: Jan. 14, 1997

[30] Foreign Application Priority Data

Jul. 15, 1996 [IL] Israel 26511

[51] LOC (6) Cl. 15-09

[52] U.S. Cl. D15/139

[58] Field of Search D15/138, 139; 407/107-119

[56] References Cited

U.S. PATENT DOCUMENTS

D. 377,801	2/1997	Kress et al.	D15/139
3,541,655	11/1970	Stier	407/113
4,971,483	11/1990	Kress et al.	407/114

Primary Examiner—Antoine Duval Davis

Attorney, Agent, or Firm—Pennie & Edmonds LLP

[57] CLAIM

The ornamental design for a cutting insert, as shown and described.

DESCRIPTION

FIG. 1 is an isometric view of a first embodiment of the cutting insert;

FIG. 2 is a side view of the cutting insert of FIG. 1, the cutting insert having identical side views in front projection, a rear projection, a left side projection and a right side projection;

FIG. 3 is a top view of the cutting insert of FIG. 1;

FIG. 4 is a bottom view of the cutting insert of FIG. 1;

FIG. 5 is an isometric view of a second embodiment of the cutting insert;

FIG. 6 is a side view of the cutting insert of FIG. 5, the cutting insert having identical side views in front projection, a rear projection, a left side projection and a right side projection;

FIG. 7 is a top view of the cutting insert of FIG. 5;

FIG. 8 is a bottom view of the cutting insert of FIG. 5;

FIG. 9 is an isometric view of a third embodiment of the cutting insert;

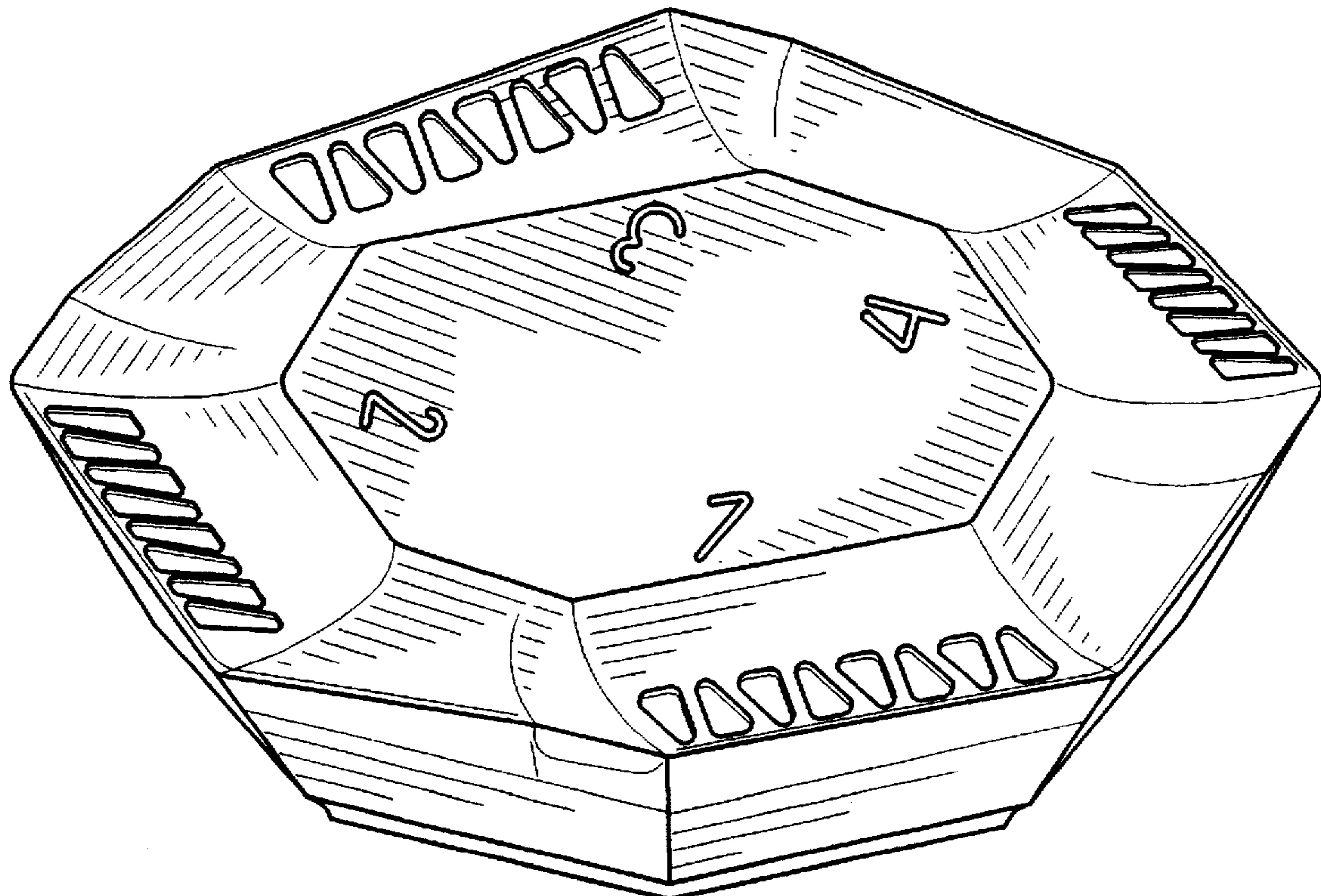
FIG. 10 is a side view of the cutting insert of FIG. 9, the cutting insert having identical side views in front projection, a rear projection, a left side projection and a right side projection;

FIG. 11 is a top view of the cutting insert of FIG. 9; and,

FIG. 12 is a bottom view of the cutting insert of FIG. 9.

The broken line showing indicates features have been removed for ease of illustration.

1 Claim, 6 Drawing Sheets



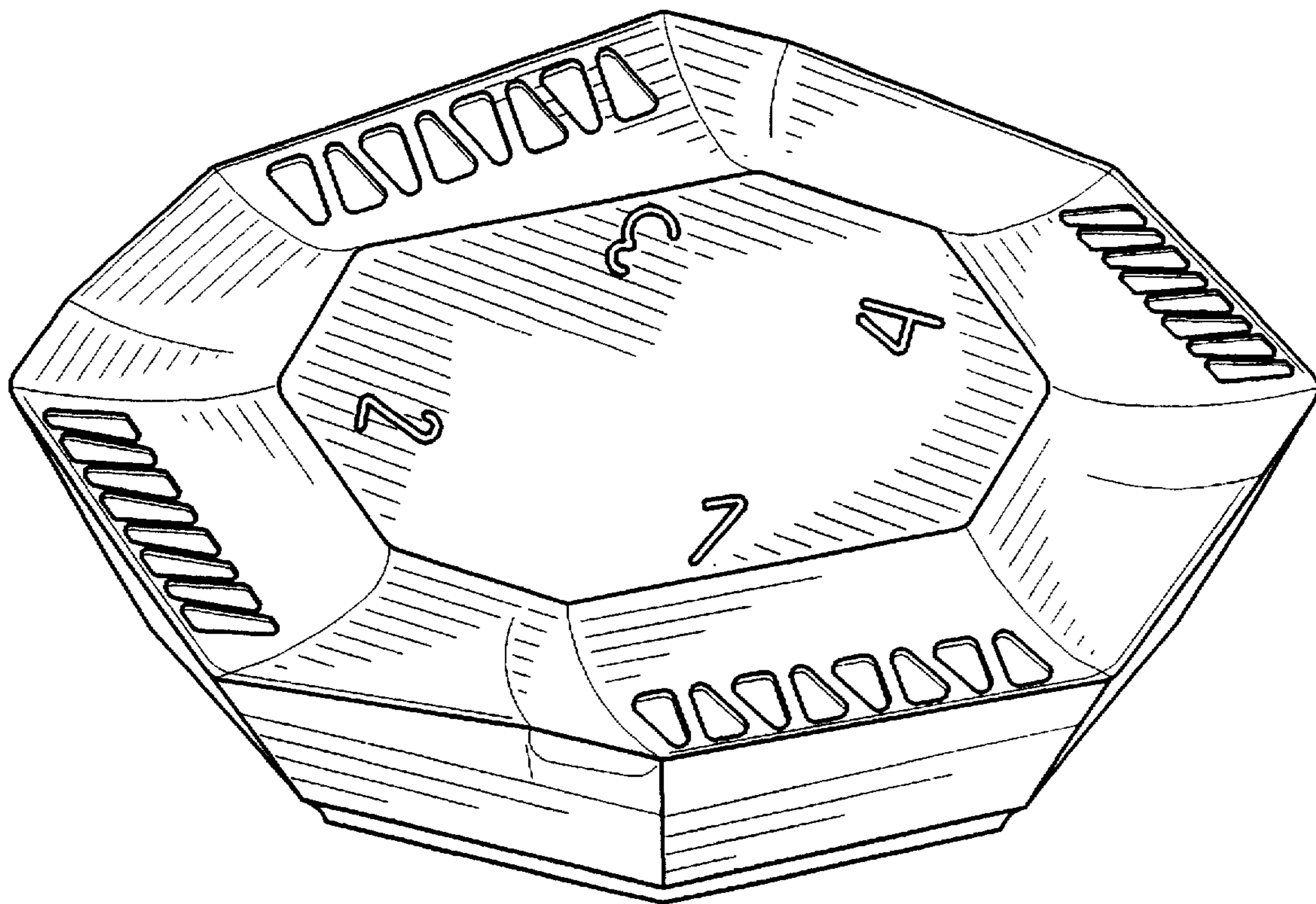


FIG. 1

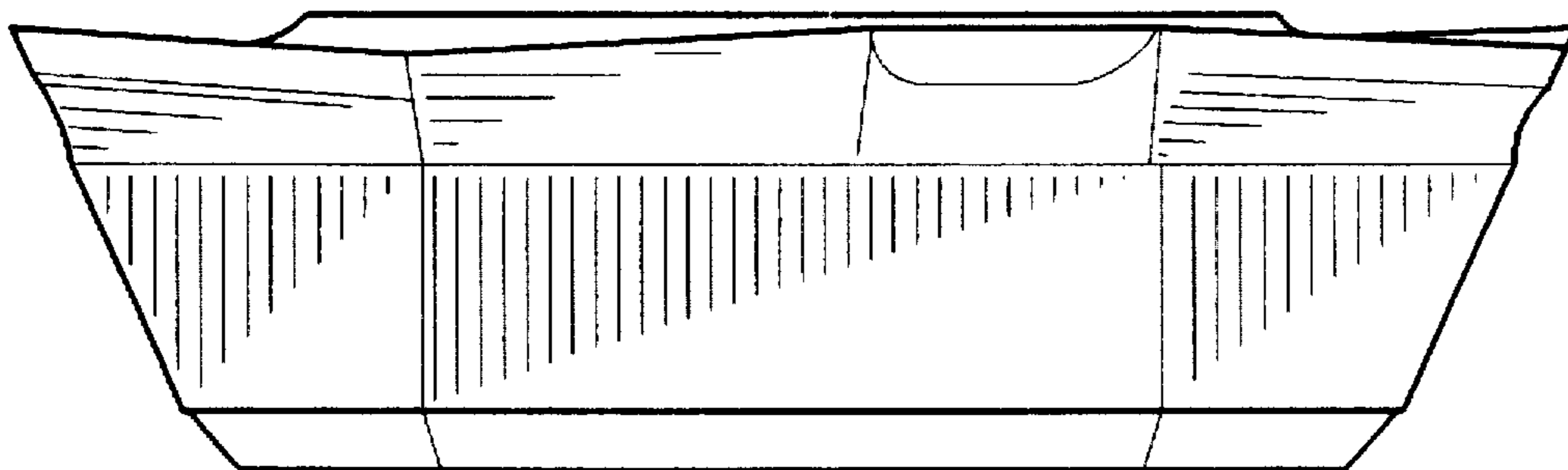


FIG. 2

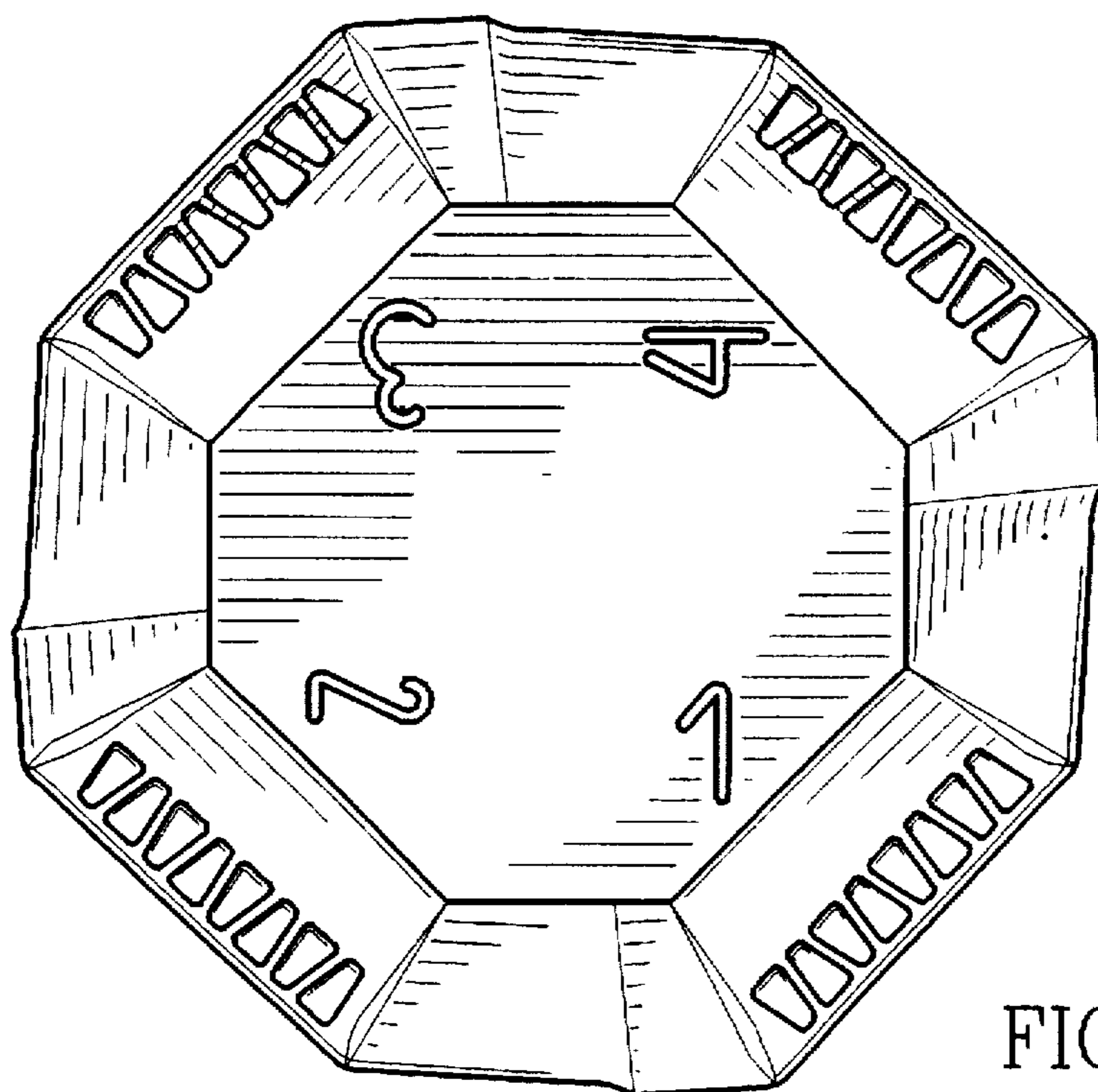


FIG. 3

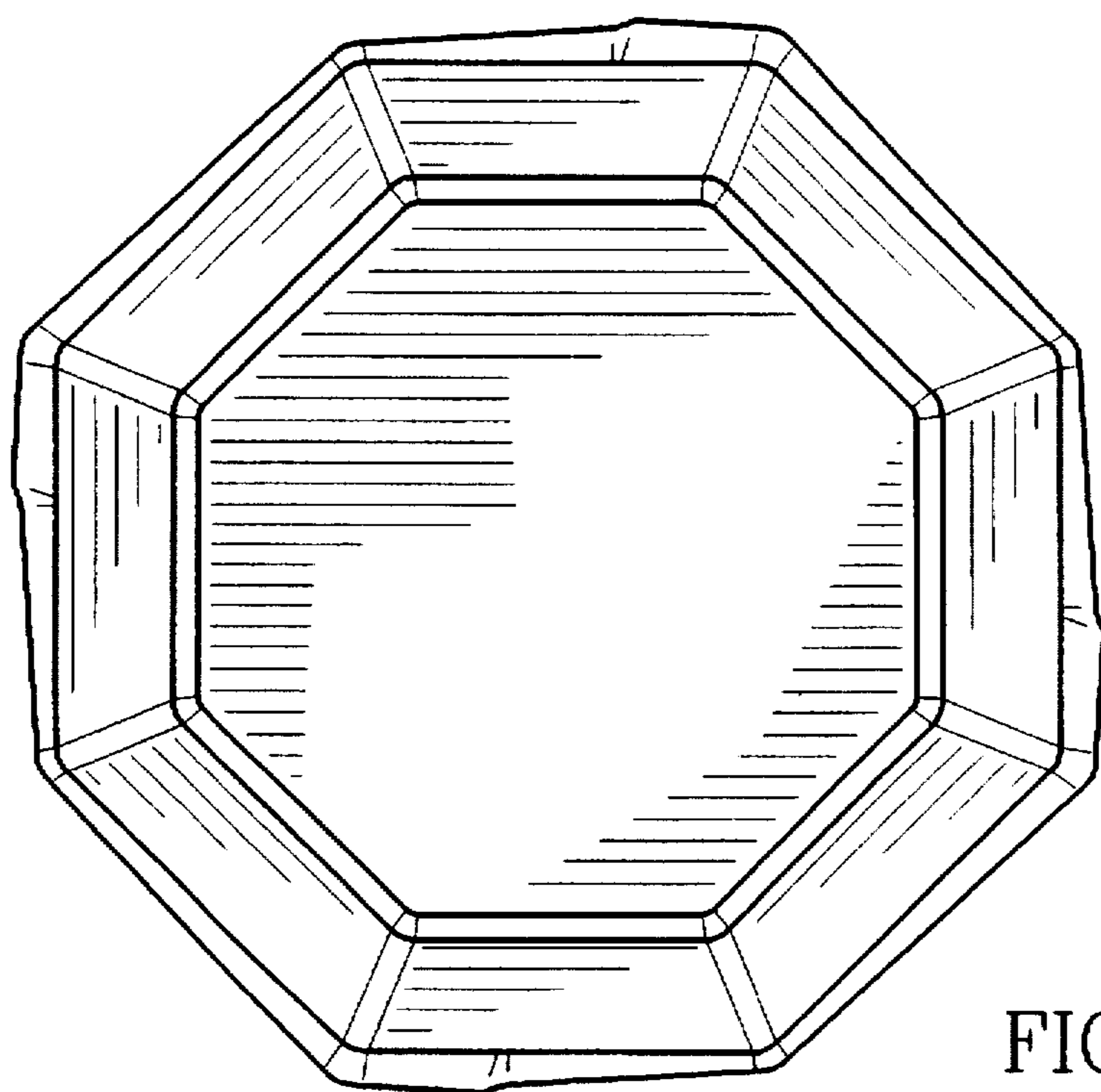


FIG. 4

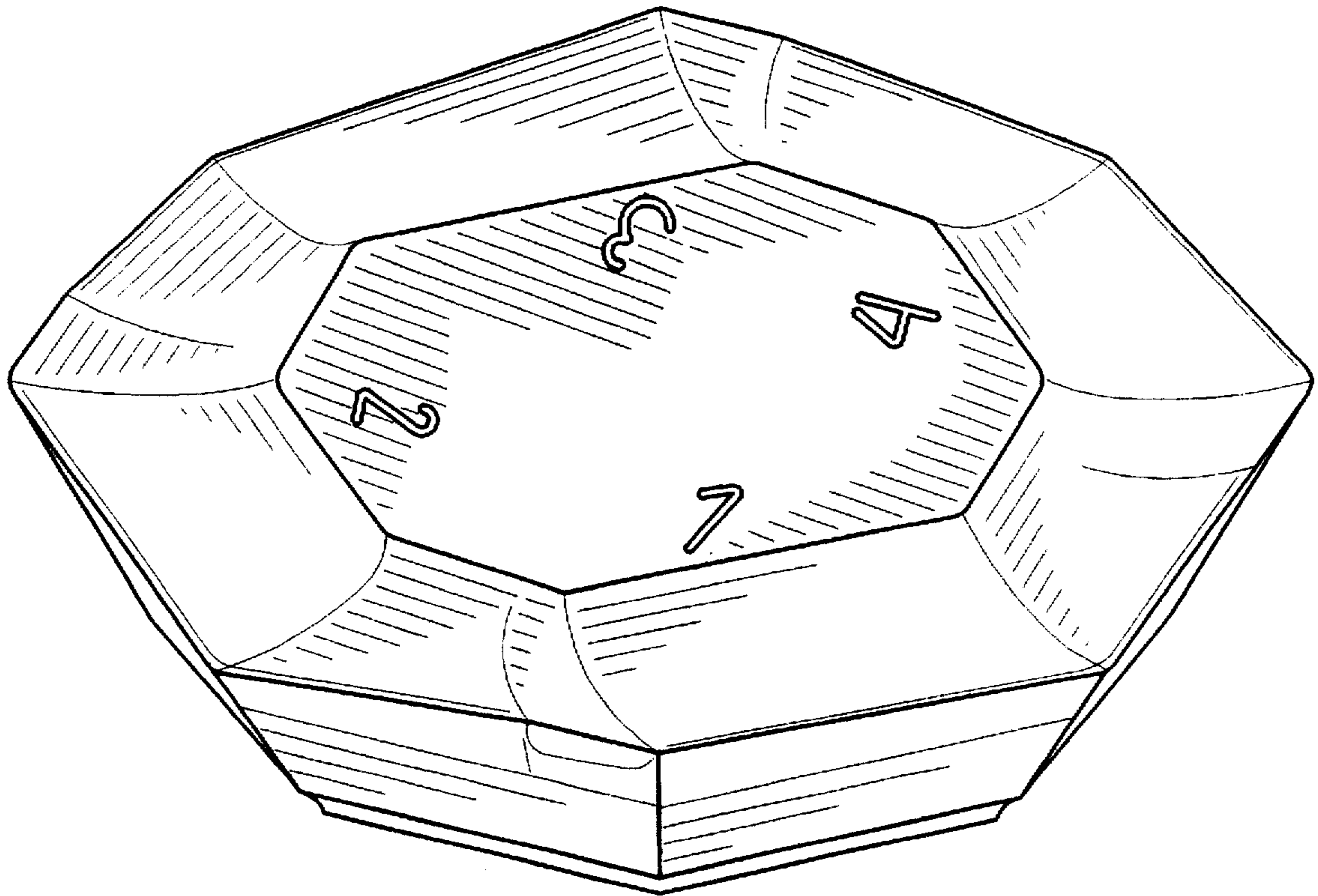


FIG. 5

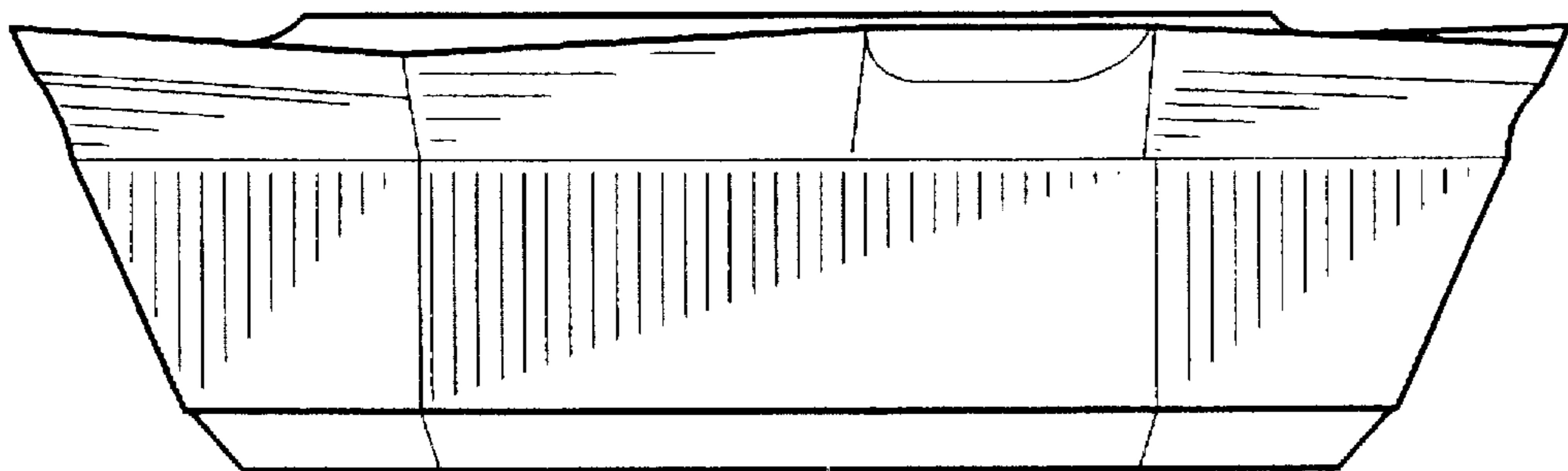


FIG. 6

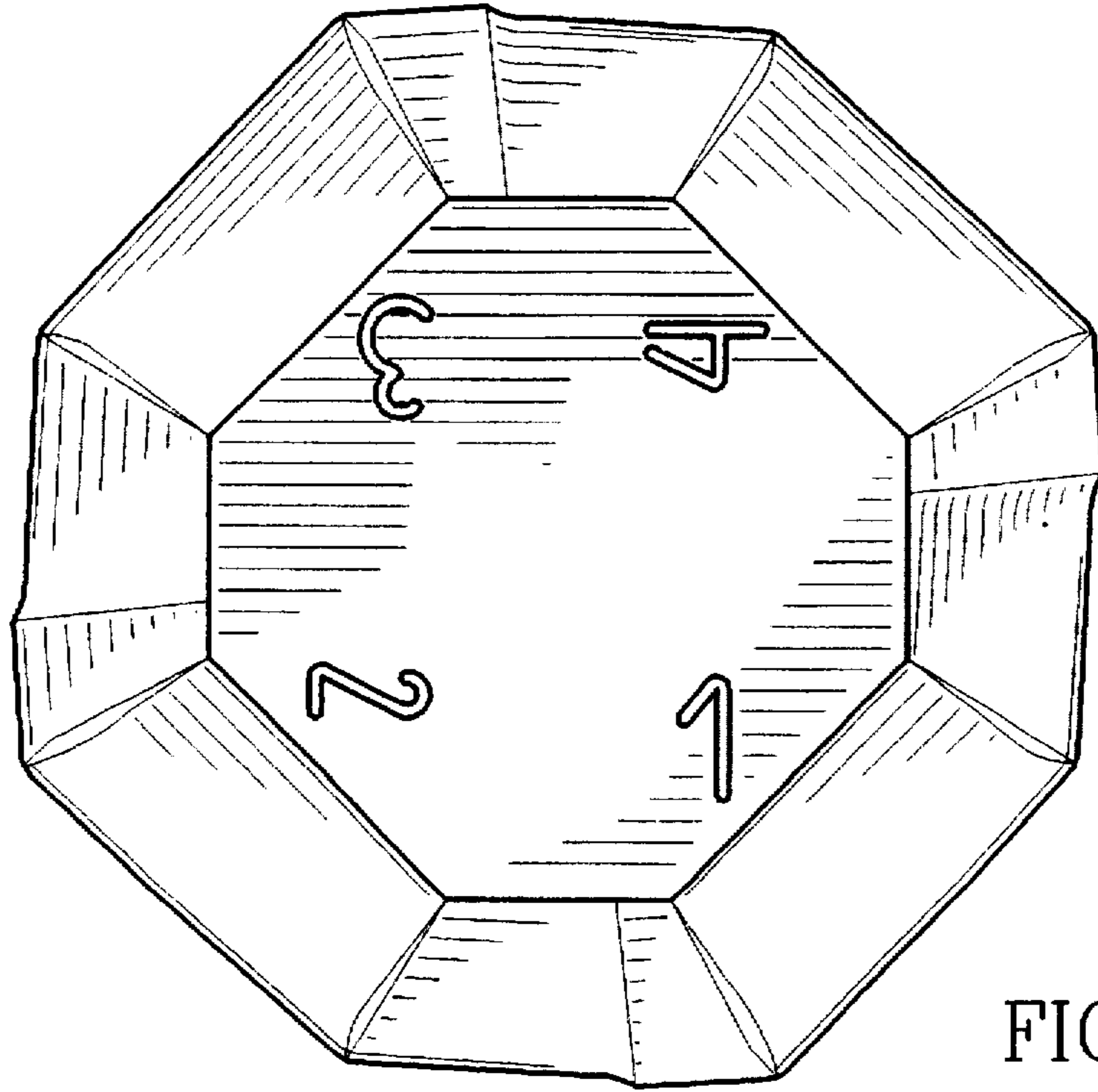


FIG. 7

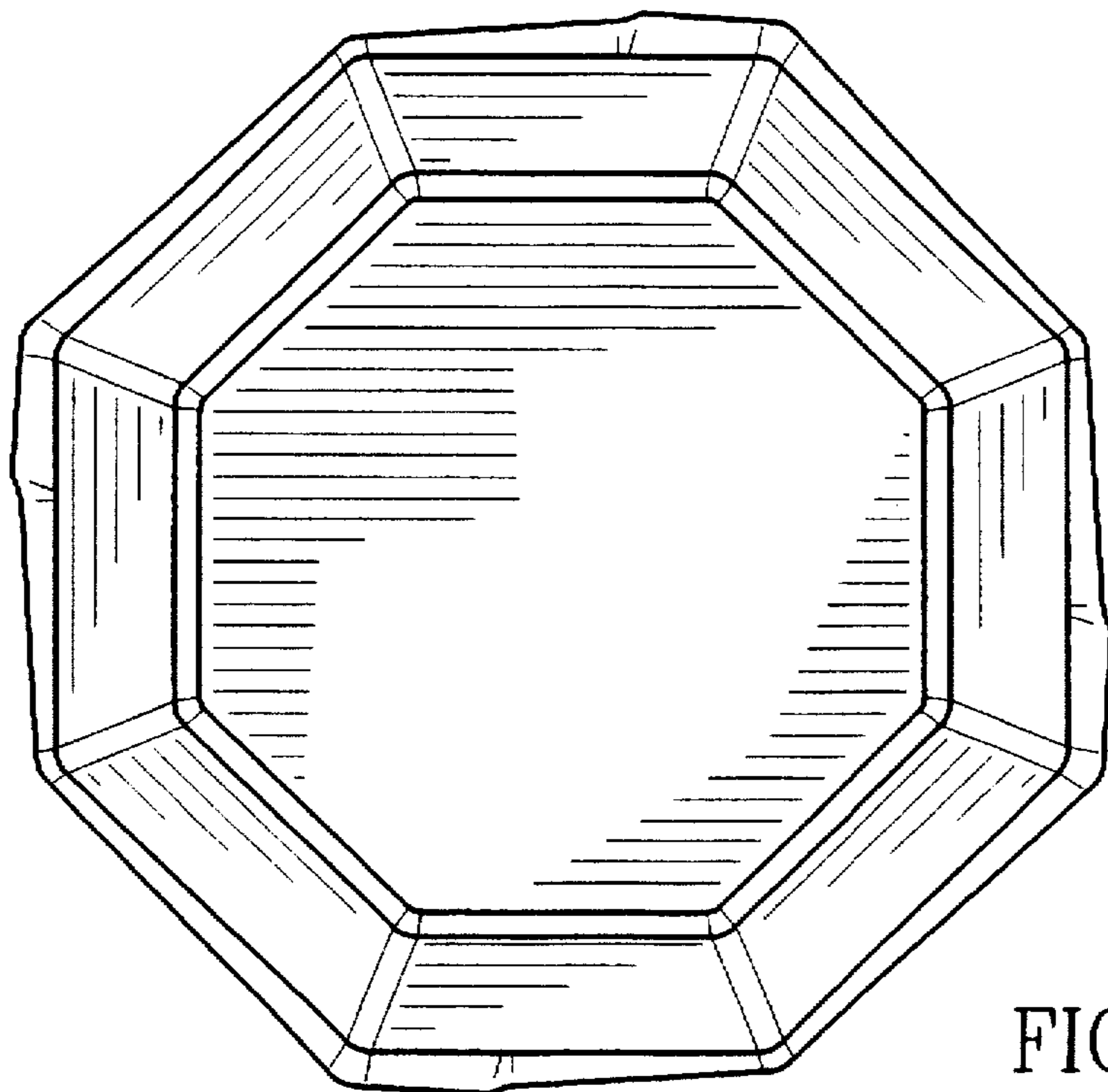


FIG. 8

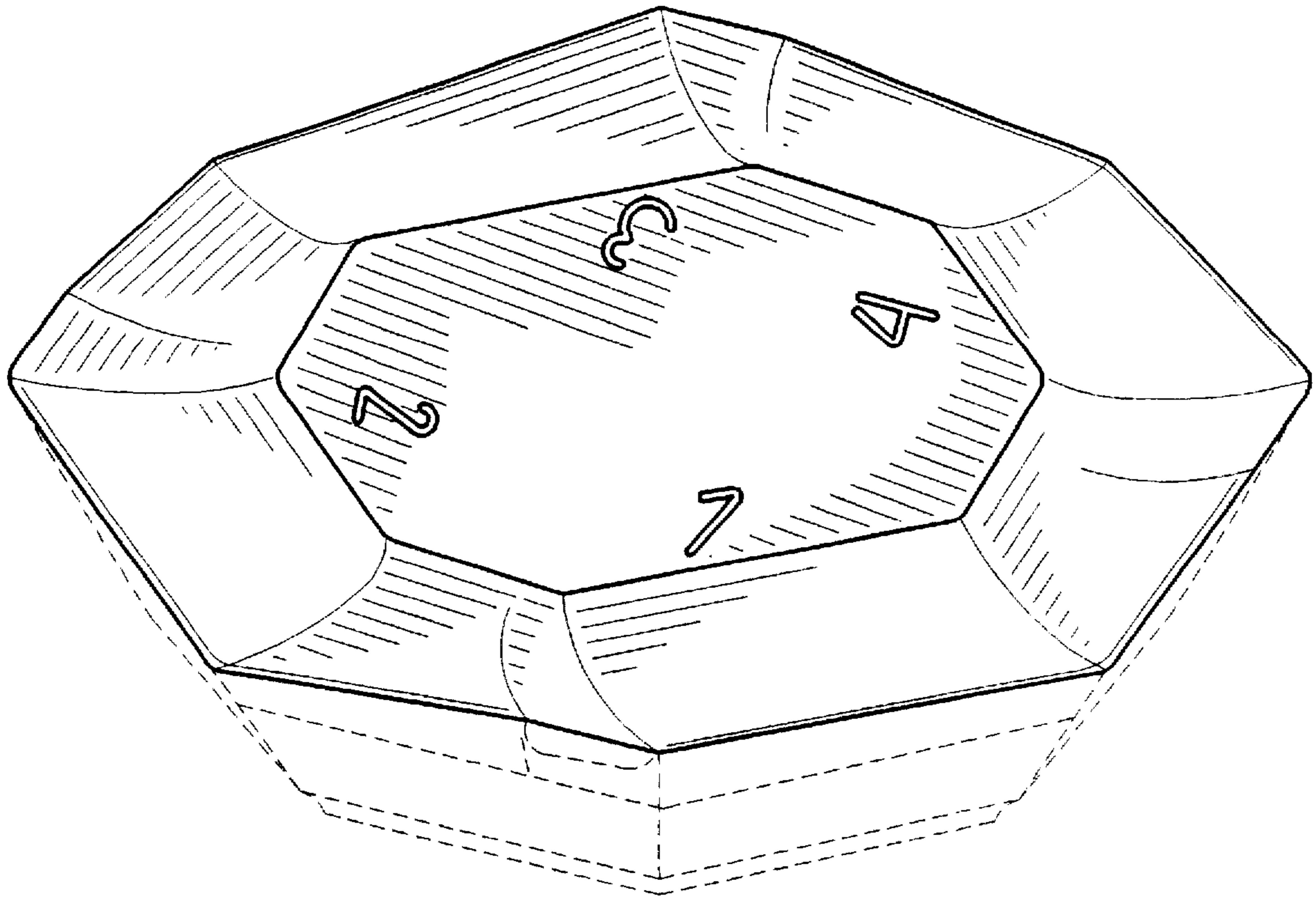


FIG. 9

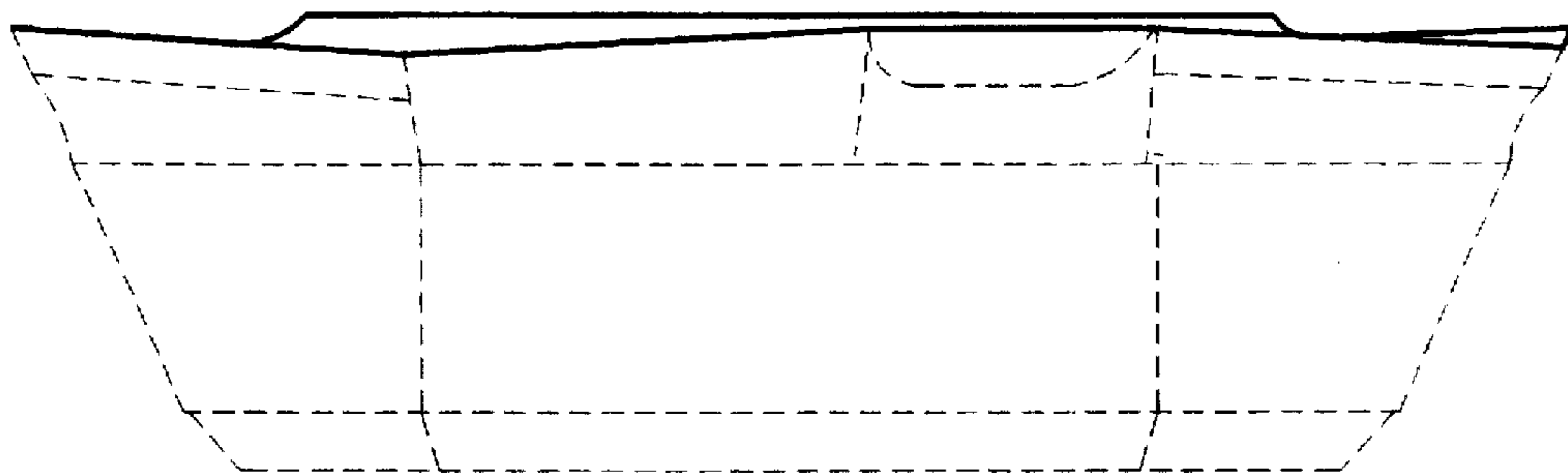


FIG. 10

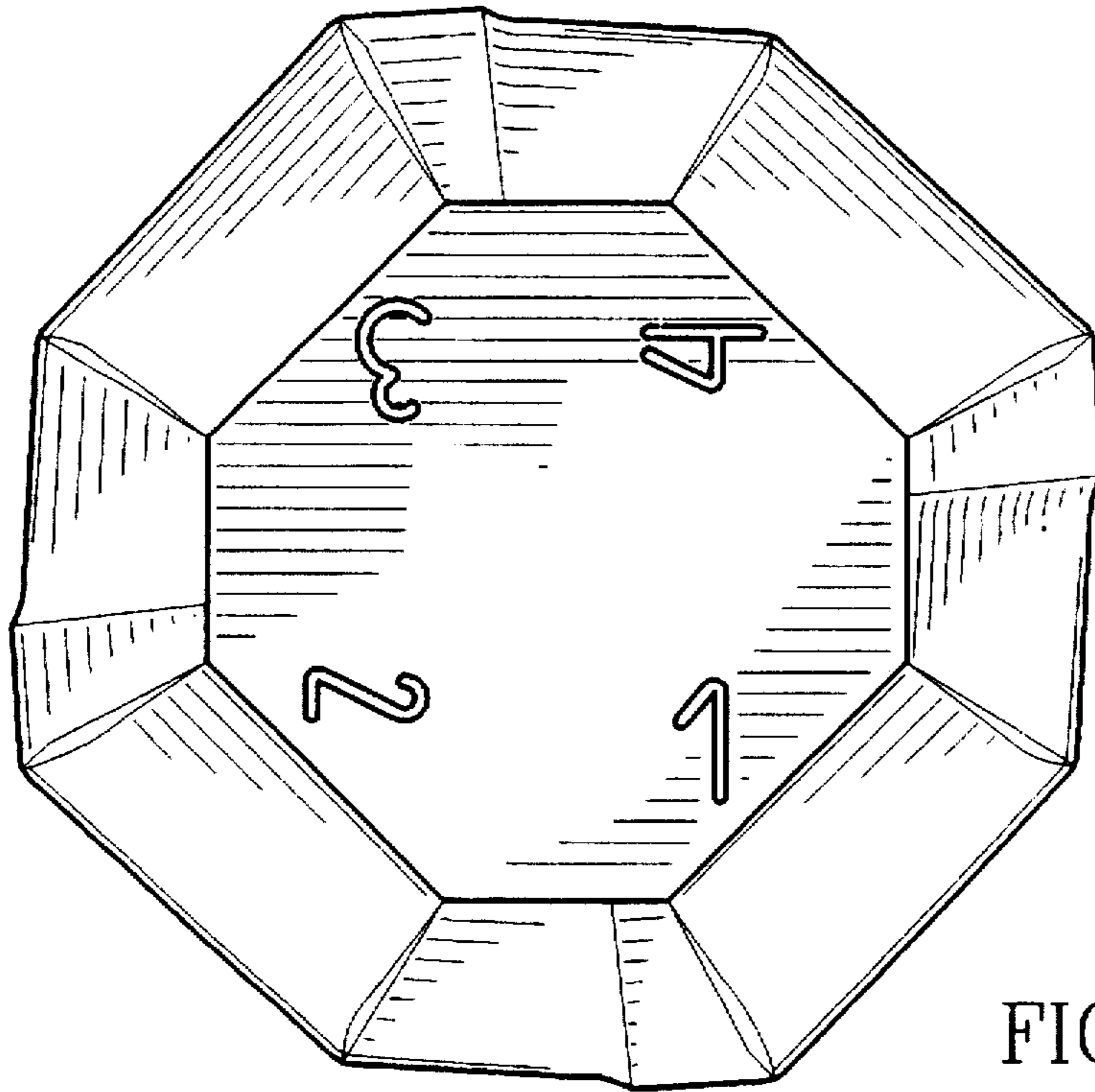


FIG. 11

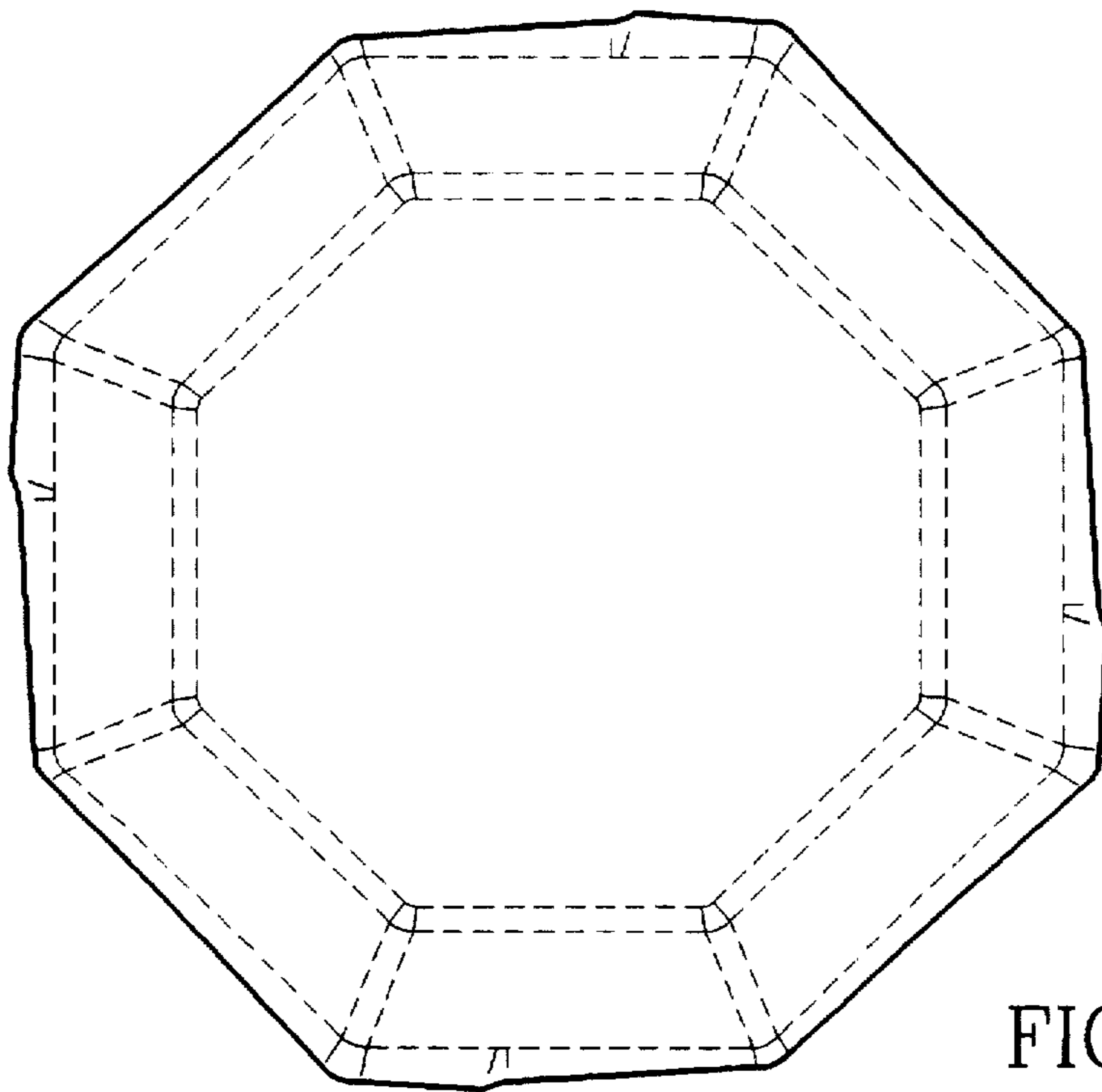


FIG. 12

**UNITED STATES PATENT AND TRADEMARK OFFICE
CERTIFICATE OF CORRECTION**

PATENT NO. : Des. 396,479

DATED : July 28, 1998

INVENTOR(S) : Amir SATRAN et al.

It is certified that error appears in the above-identified patent and that said Letters Patent is hereby corrected as shown below:

TITLE PAGE [73] Assignee: change "Migal Tefen, Israel" to --Migdal Tefen, Israel--.

Signed and Sealed this
Twentieth Day of October, 1998



Attest:

BRUCE LEHMAN

Attesting Officer

Commissioner of Patents and Trademarks