



US00D396475S

# United States Patent [19]

[11] Patent Number: **Des. 396,475**

Bradshaw et al.

[45] Date of Patent: **\*\*Jul. 28, 1998**

[54] **TERMINAL BLOCK HOUSING**

[75] Inventors: **Janet A. Bradshaw**, Darien; **Daniel A. Hoeft**, Mundelein; **Alan Schwimmer**, Northbrook, all of Ill.

[73] Assignee: **Reltec Corporation**, Mayfield Heights, Ohio

[\*\*] Term: **14 Years**

4,795,363	1/1989	Scherer et al. ....	439/395
4,795,364	1/1989	Frantum, Jr. et al. ....	439/407
4,846,721	7/1989	Debruycker et al. ....	439/411
4,971,573	11/1990	Pinyan .....	439/412
4,993,966	2/1991	Levy .....	439/411
5,139,440	8/1992	Volk et al. ....	439/413
5,149,278	9/1992	Waas et al. ....	439/412
5,423,694	6/1995	Jensen et al. ....	439/417
5,551,889	9/1996	Kozel et al. ....	439/412 X

*Primary Examiner*—Jeffrey Asch  
*Attorney, Agent, or Firm*—Trexler, Bushnell, Giangiorgi & Blackstone, Ltd.

[21] Appl. No.: **60,730**

[22] Filed: **Oct. 4, 1996**

## [57] CLAIM

[51] **LOC (6) Cl.** ..... **14-03**

[52] **U.S. Cl.** ..... **D14/256; D13/147; D14/240**

[58] **Field of Search** ..... **D14/100, 107, D14/114, 140, 142, 240, 256; D13/146, 147, 184; 379/399, 418, 419, 420, 428, 440, 441, 442; 385/134, 135; 439/412, 417, 709; 361/823; 174/59, 52.1, 52.3, 53**

The ornamental design for a terminal block housing, as shown and described.

## DESCRIPTION

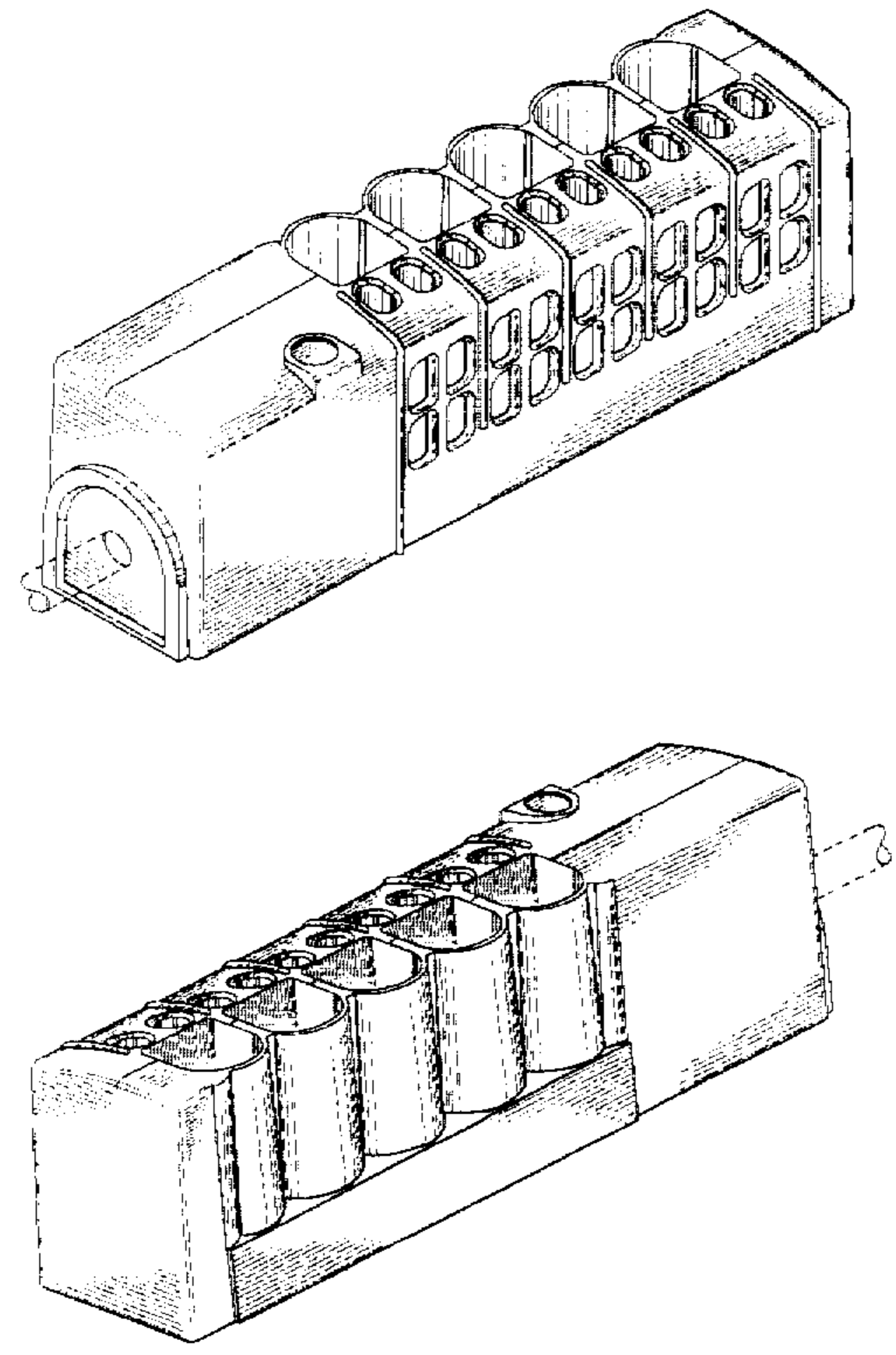
FIG. 1 is a front, left side, top perspective view of the terminal block housing showing the design, a cable, shown in dotted line, extends from one end of the terminal block housing, the cable forming no part of the present design; FIG. 2 is a rear, right side, top perspective view thereof; FIG. 3 is a front, right side, top perspective view thereof; FIG. 4 is a rear, left side, top elevational view thereof; FIG. 5 is a top plan view thereof, a bottom plan view is not shown as it does not form any ornamental feature of the present design; FIG. 6 is a front elevational view thereof; FIG. 7 is a rear elevational view thereof; FIG. 8 is a right side elevational view thereof; and, FIG. 9 is a left side elevational view thereof. The broken line showings of FIGS. 1-7 are for illustrative purposes only and form no part of the claimed design.

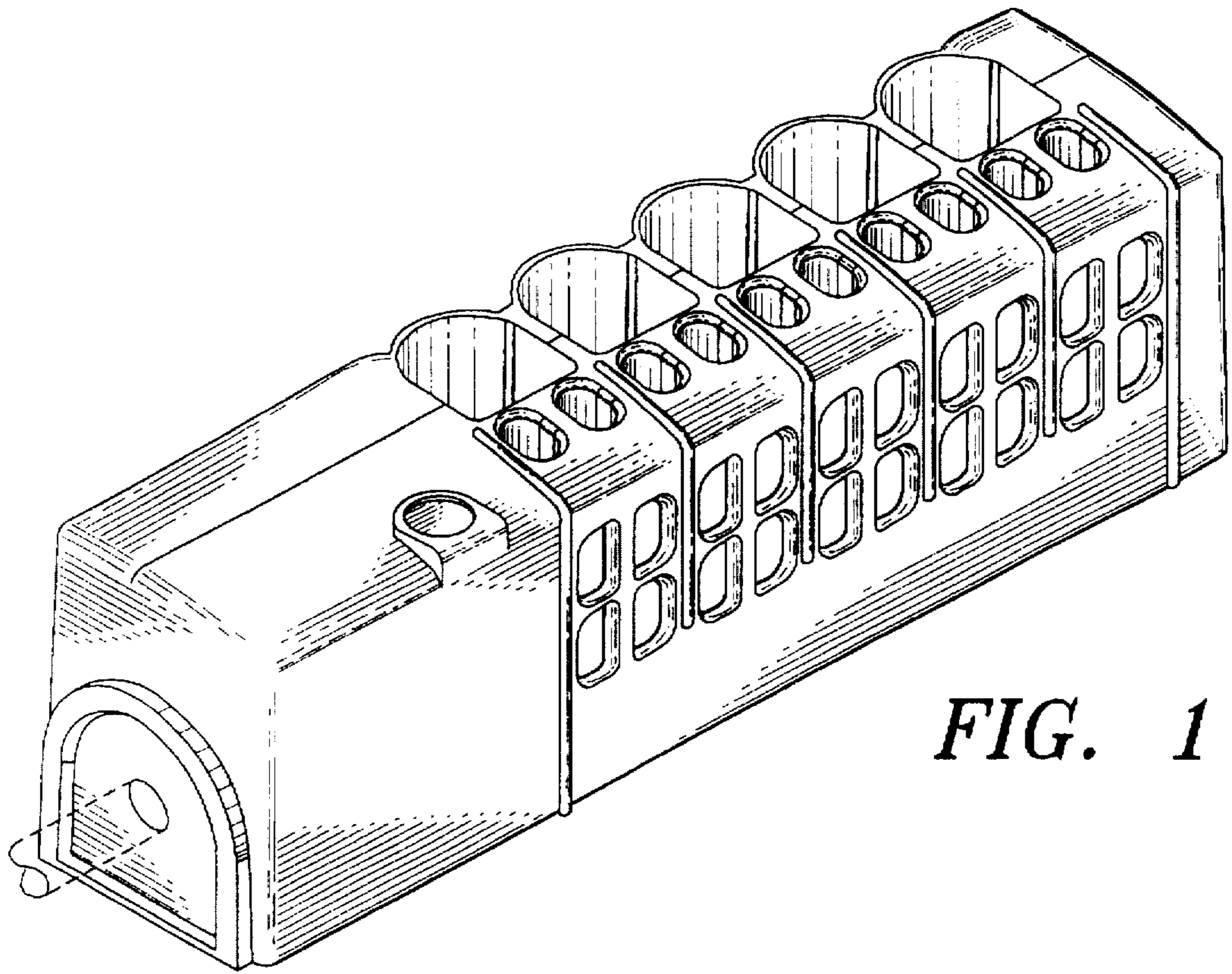
## [56] References Cited

### U.S. PATENT DOCUMENTS

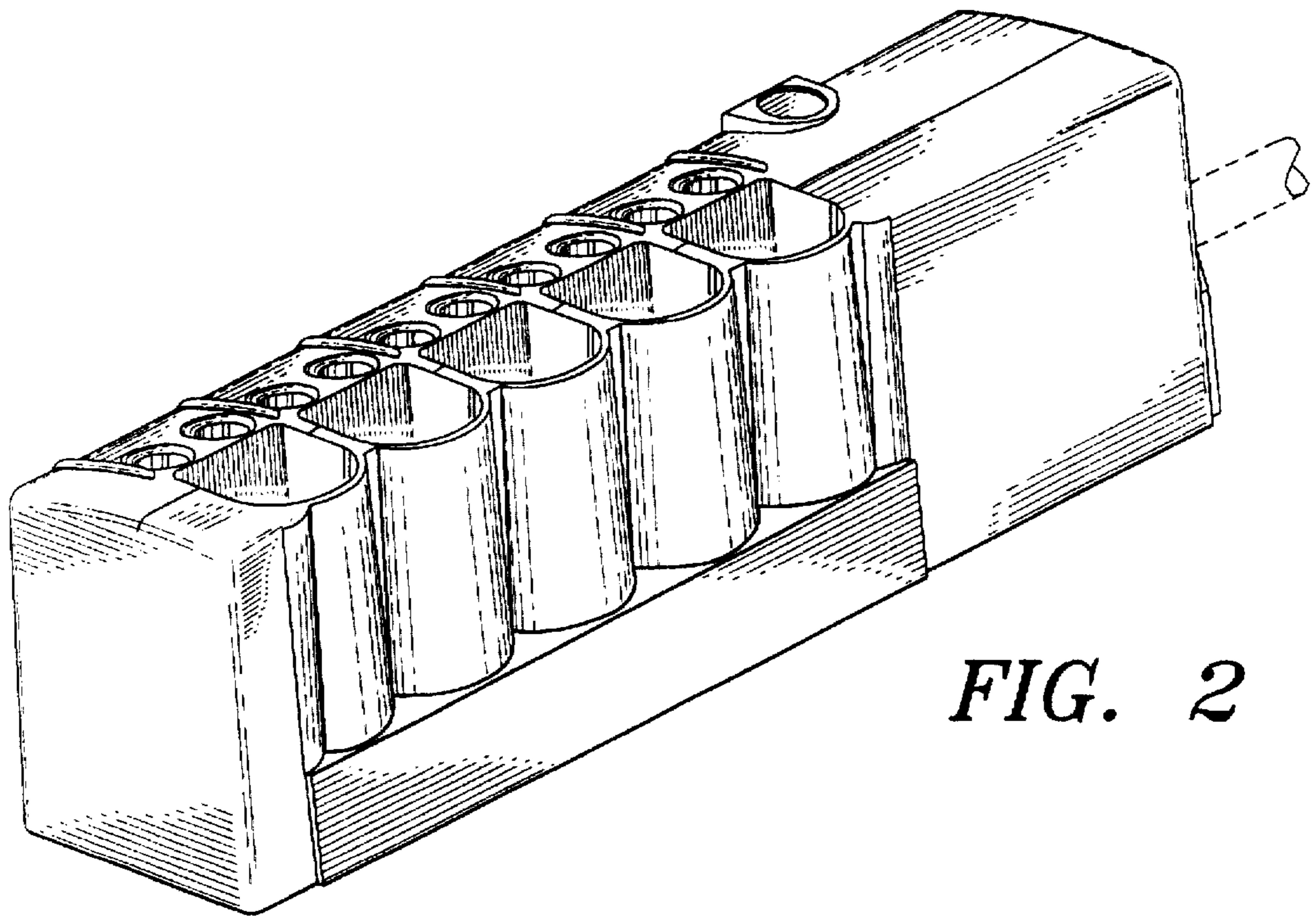
D. 315,566	3/1991	De Luca et al. ....	D14/256
D. 331,224	11/1992	Robertson .....	D13/147
D. 335,486	5/1993	Fatalo .....	D13/147
D. 335,487	5/1993	Volk et al. ....	D13/147
D. 346,789	5/1994	Sanchez et al. ....	D13/147
D. 353,365	12/1994	Marach .....	D13/147
4,159,159	6/1979	Kaucic et al. ....	339/198 H
4,652,070	3/1987	Stuffi .....	339/97 P
4,652,071	3/1987	DeBortoli et al. ....	339/99 R
4,688,872	8/1987	Pohl .....	439/404
4,734,061	3/1988	Randall, Jr. et al. ....	439/709

**1 Claim, 4 Drawing Sheets**

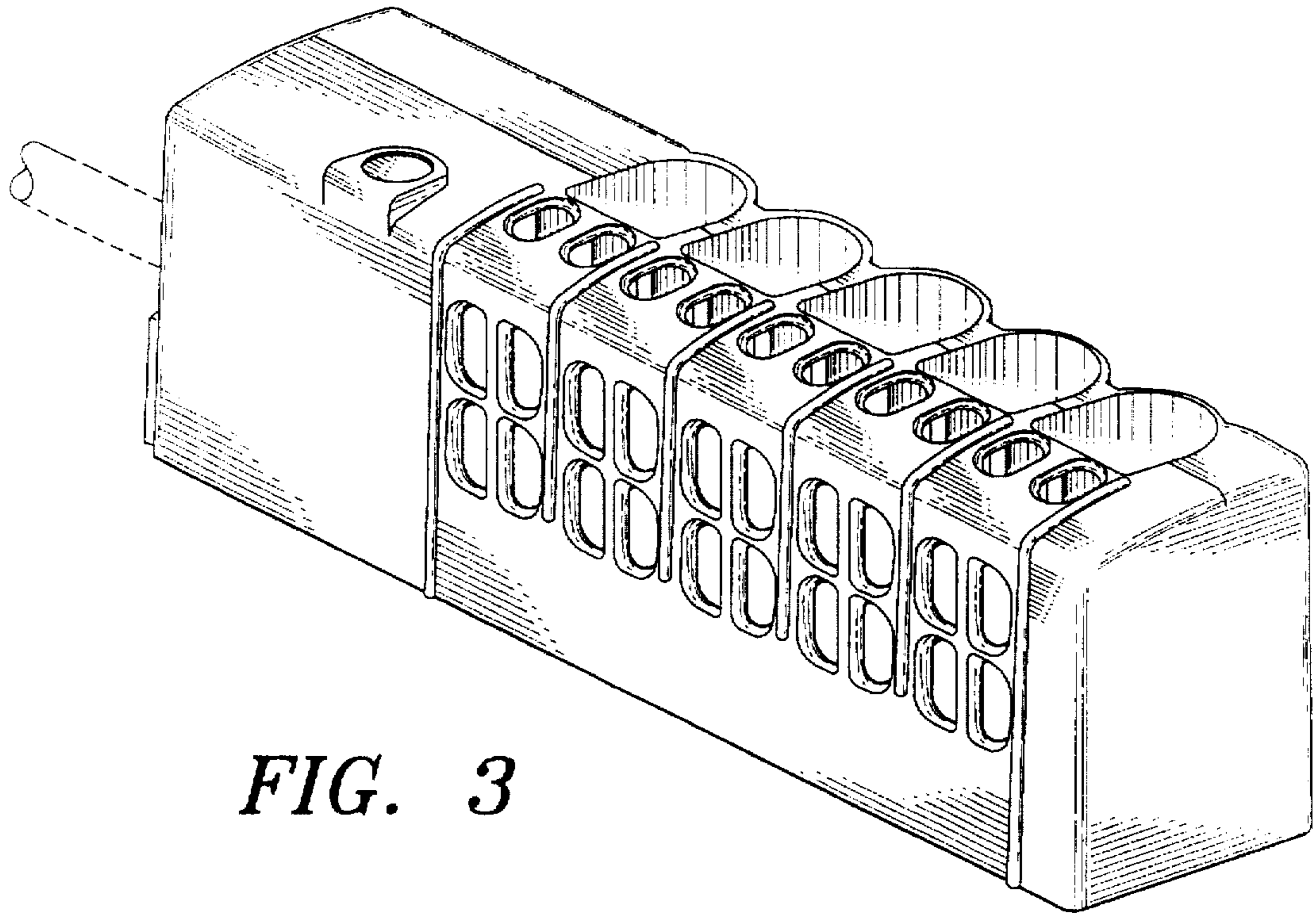




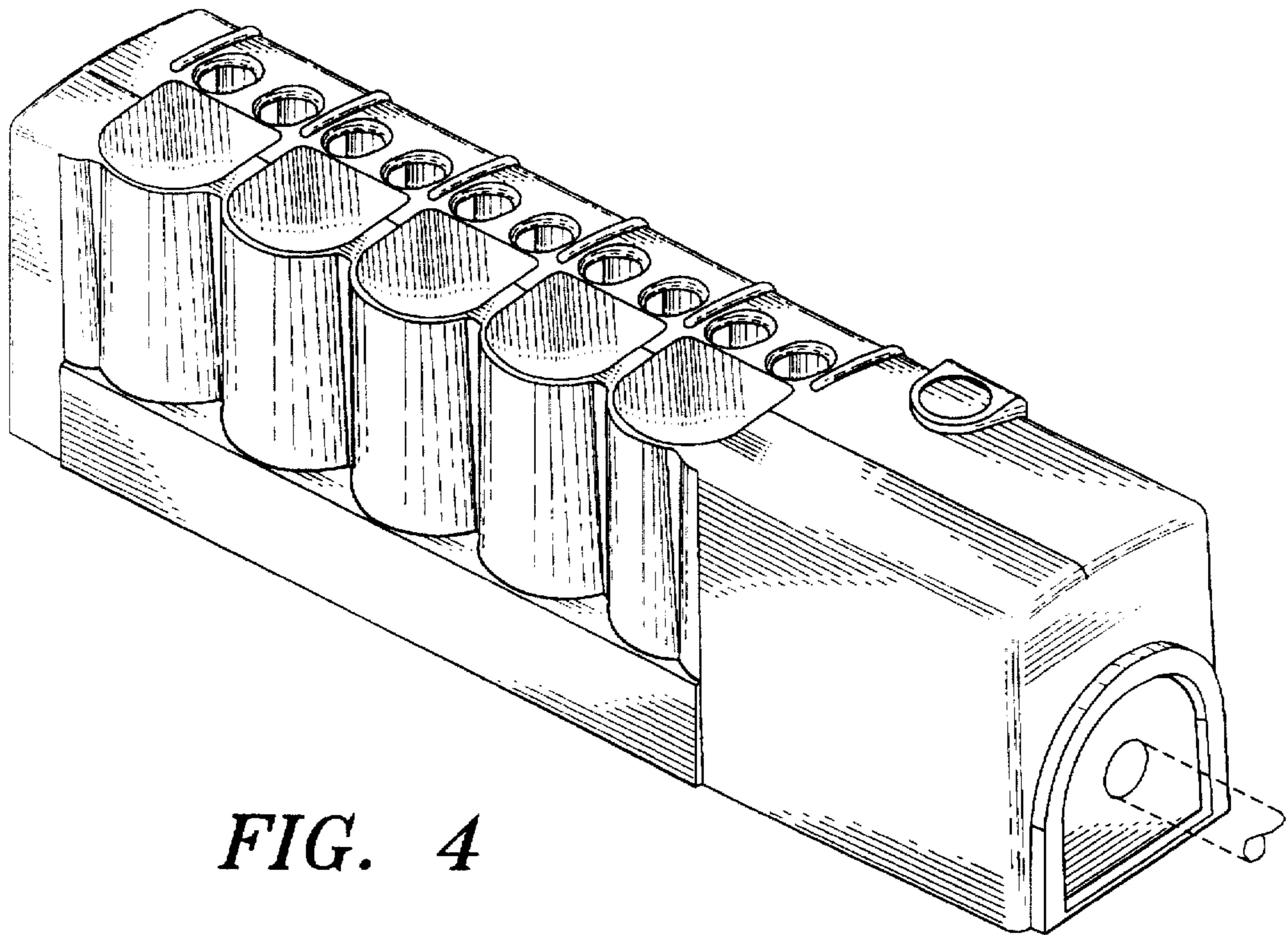
*FIG. 1*



*FIG. 2*



*FIG. 3*



*FIG. 4*

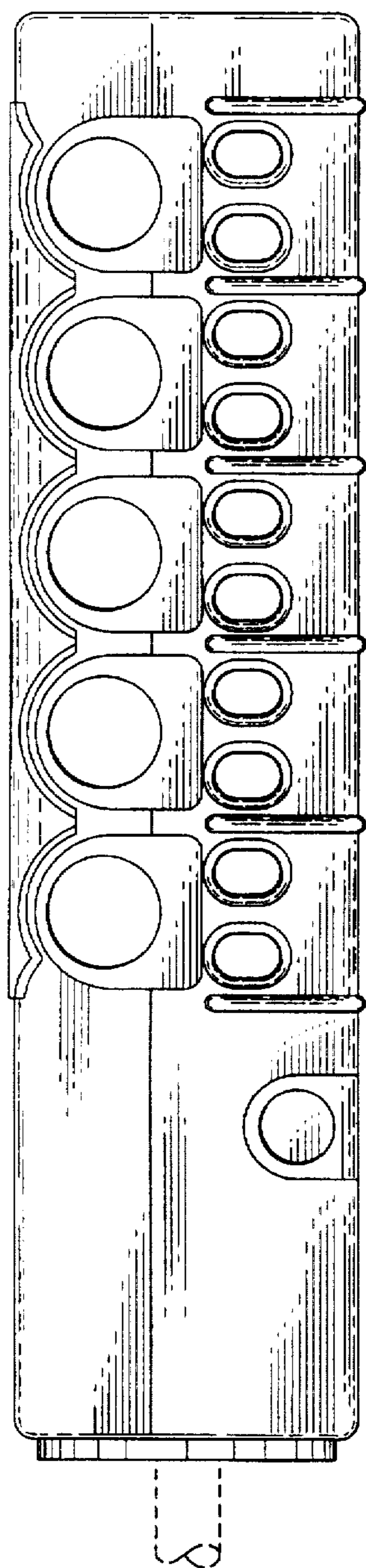


FIG. 5

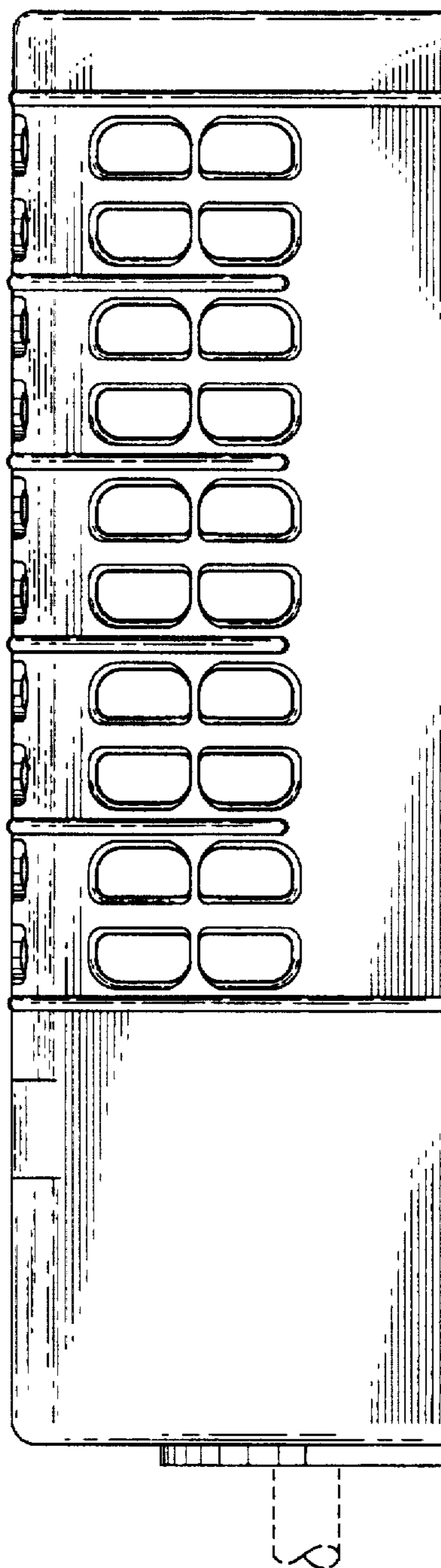
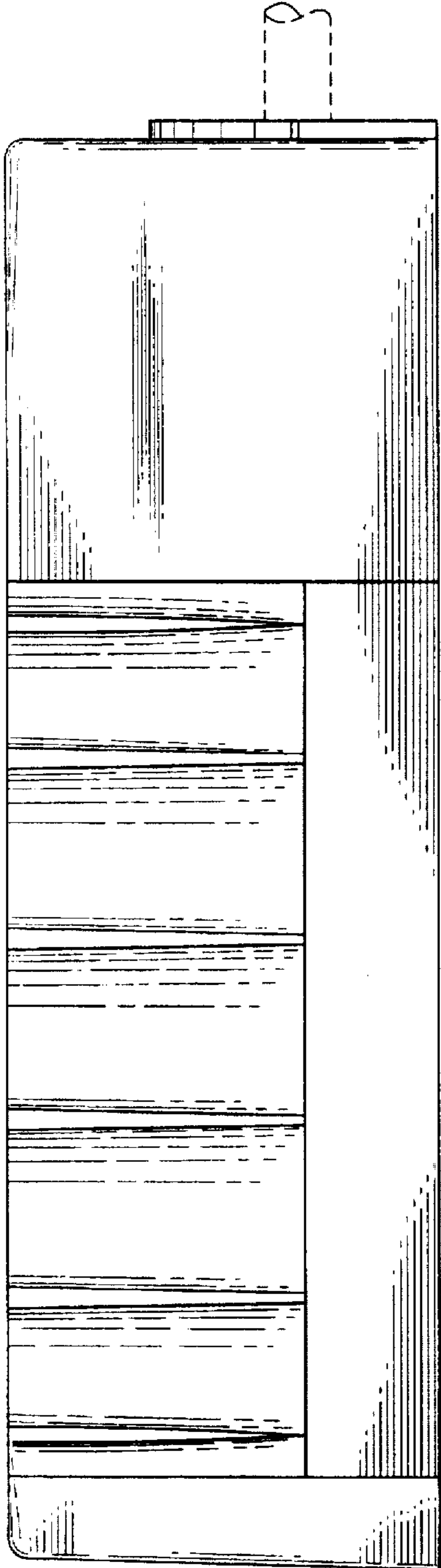
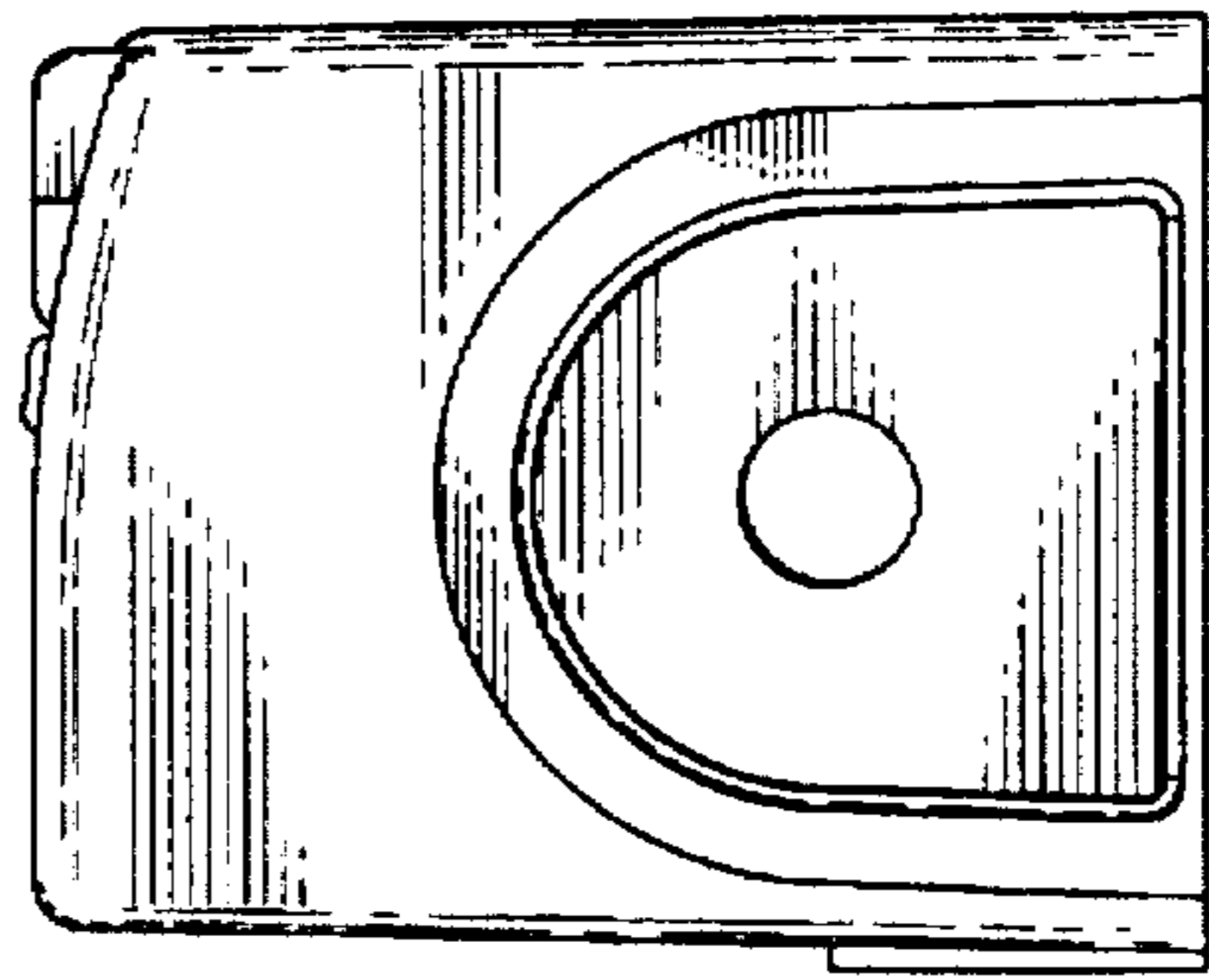


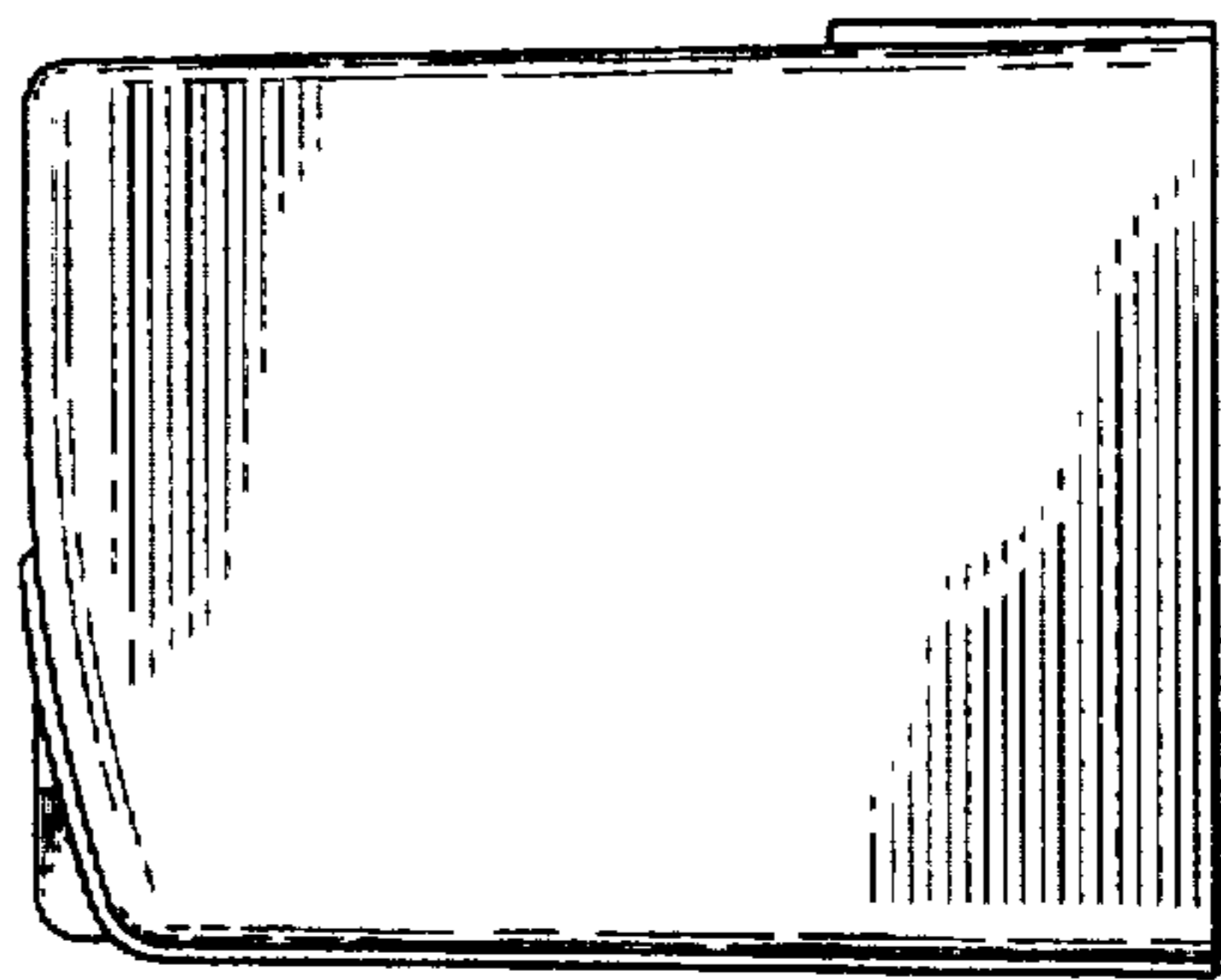
FIG. 6



*FIG. 7*



*FIG. 9*



*FIG. 8*