



US00D396474S

# United States Patent [19] Lin

[11] Patent Number: **Des. 396,474**  
[45] Date of Patent: **\*\*Jul. 28, 1998**

[54] **SURFACE MOUNT JACK**

[75] Inventor: **Mike H. Lin**, Cerritos, Calif.

[73] Assignee: **International Connectors and Cable Corporation**, Cerritos, Calif.

[\*\*] Term: **14 Years**

[21] Appl. No.: **56,653**

[22] Filed: **Jul. 5, 1996**

[51] **LOC (6) Cl.** ..... **14-03**

[52] **U.S. Cl.** ..... **D14/256; D13/147**

[58] **Field of Search** ..... **D13/133, 137, D13/146, 147, 151, 152, 177, 184; D14/240, 140, 256, 299; 439/676, 535, 607, 638, 76.1**

### [56] **References Cited**

#### **U.S. PATENT DOCUMENTS**

D. 312,070	11/1990	Benjamin et al.	.....	D13/147
D. 346,378	4/1994	Smylie	.....	D14/256 X
D. 372,703	8/1996	Hannon et al.	.....	D13/152
D. 378,674	4/1997	Volansky	.....	D13/147
4,460,233	7/1984	Newton et al.	.....	439/535
4,820,192	4/1989	Denkmann et al.	.....	439/676 X
5,391,095	2/1995	Born	.....	439/638 X
5,447,441	9/1995	Mueller et al.	.....	439/607 X

#### **OTHER PUBLICATIONS**

Dupont Connector Systems, pp. 358 and 359, May 1986.  
 B. A. Pargh, p. 338, modular surface jack, 2nd from top right, 1992.  
 Hello Direct, p. 44, surface jack at bottom right, 1993.  
 The Siemon Company, "1996 Catalog," pp. 14-17.  
 Allen Tel Products, Inc., "Voice & Data," 1996, pp. 16-19.  
 International Connectors and Cable Corporation, "Where Service and Technology Connect," 1995, pp. 7 and 9.  
 Leviton Telcom, "Leviton Information Distribution System Products," 1993, pp. C10-C13.

*Primary Examiner*—Jeffrey Asch

*Attorney, Agent, or Firm*—Pretty, Schroeder & Poplawski

### [57] **CLAIM**

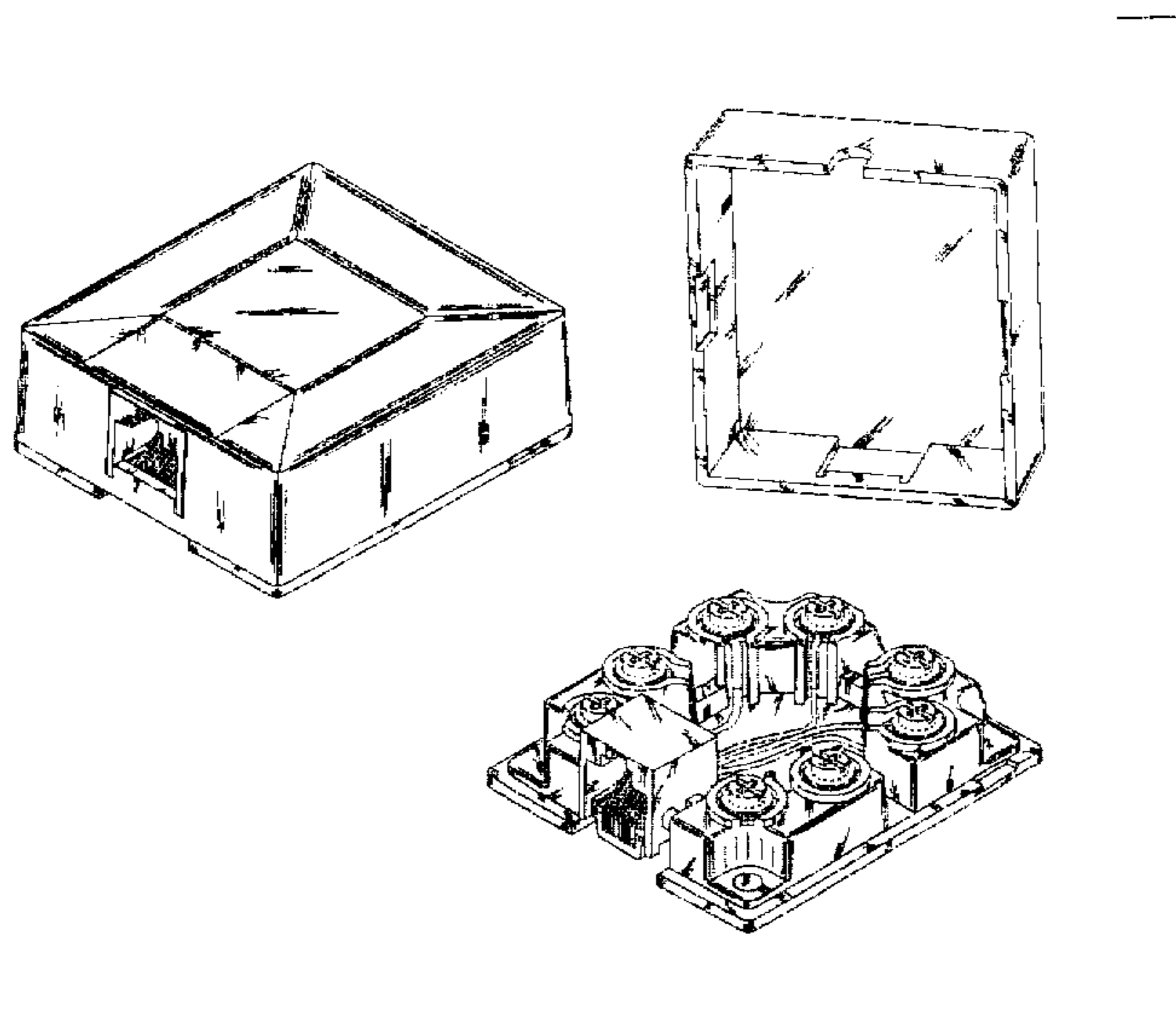
The ornamental design for a surface mount jack, as shown and described.

### **DESCRIPTION**

FIG. 1 is a top perspective view of an assembled surface mount jack showing a first embodiment of my new design; FIG. 2 is a top view thereof; FIG. 3 is a side view thereof the opposite side being a mirror image; FIG. 4 is a rear view thereof; FIG. 5 is a front view thereof; FIG. 6 is a bottom perspective view thereof; FIG. 7 is a bottom view thereof; FIG. 8 is a perspective view of the surface mount jack of FIG. 1 with the cover off and showing the top of a base of the surface mount jack; FIG. 9 is a top view of the base; FIG. 10 is a side view of the base, the opposite side being a mirror image; FIG. 11 is a rear view of the base; FIG. 12 is a front view of the base; FIG. 13 is a top view of an assembled surface mount jack showing a second embodiment of a cover for my new design; FIG. 14 is a side view thereof, the opposite side being a mirror image; FIG. 15 is a rear view thereof; and, FIG. 16 is a front view thereof.

The inside and bottom surfaces of the second embodiment are the same in appearance as those of the first embodiment seen in FIGS. 6-12. The only difference between the first and second embodiment being in the presence of an insert rectangular feature just above the telephone cord jack in the first embodiment. The base has been shown separately in FIGS. 9-12 for convenience of illustration. The broken line showings of FIGS. 8-12 are for illustrative purposes only and form no part of the claimed design.

**1 Claim, 12 Drawing Sheets**



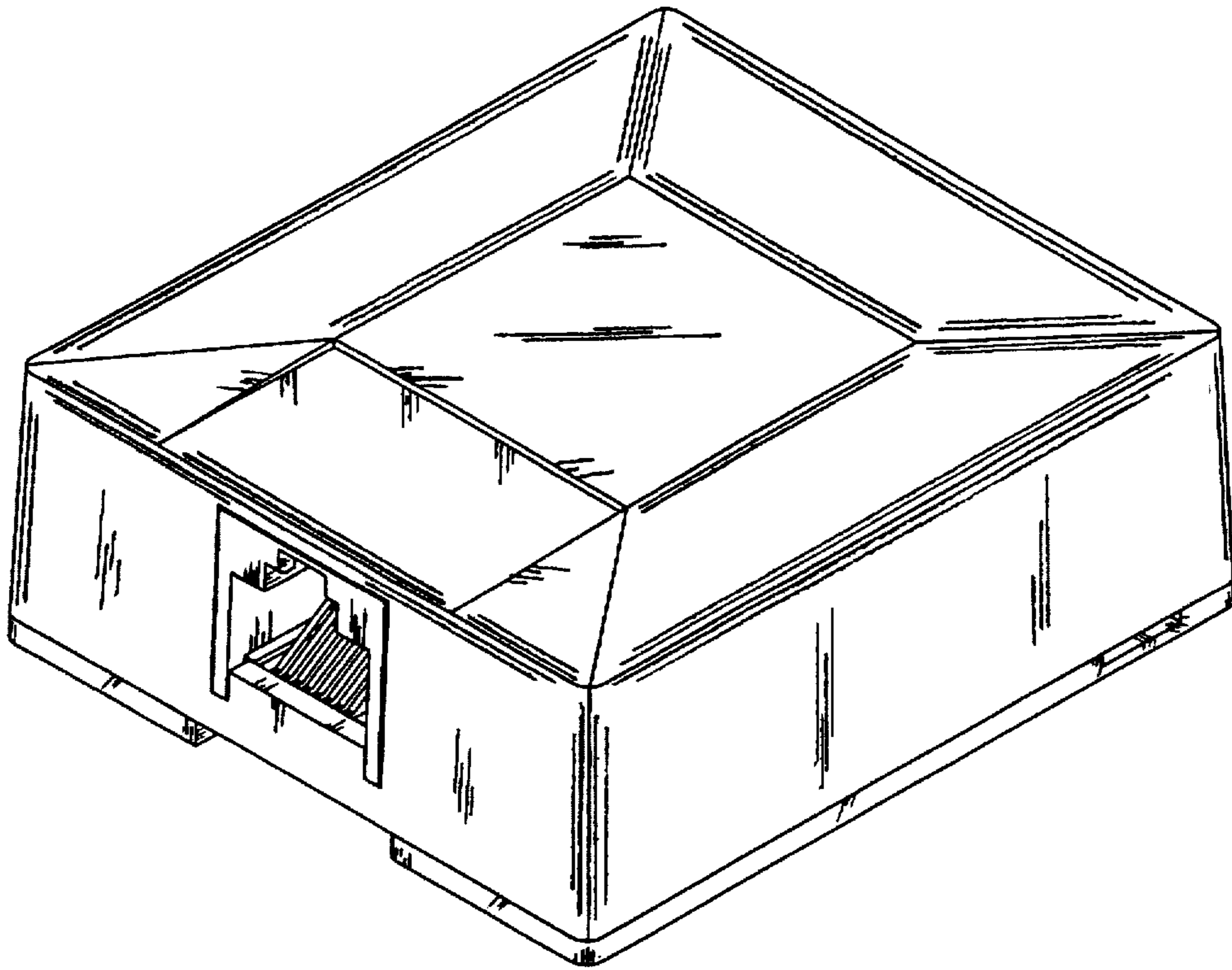


Fig. 1

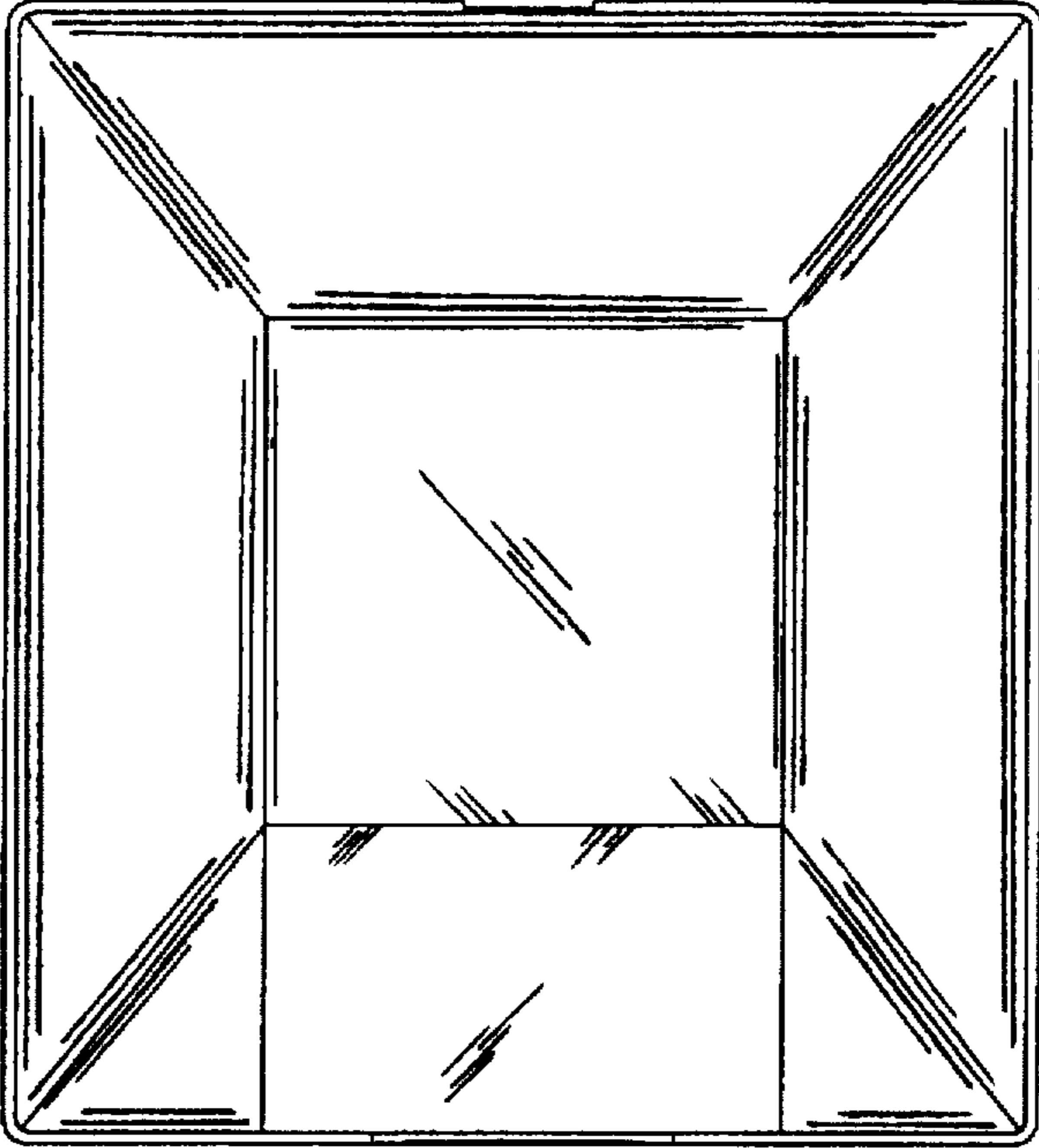


Fig. 2

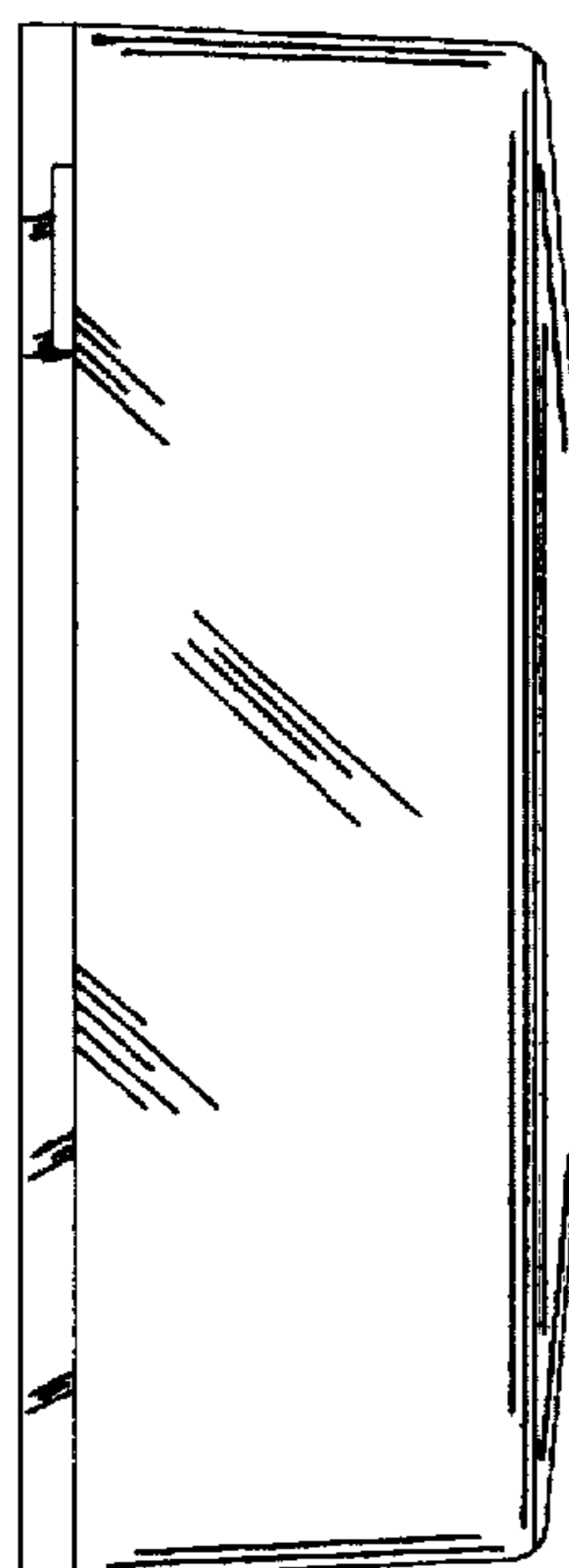


Fig. 3

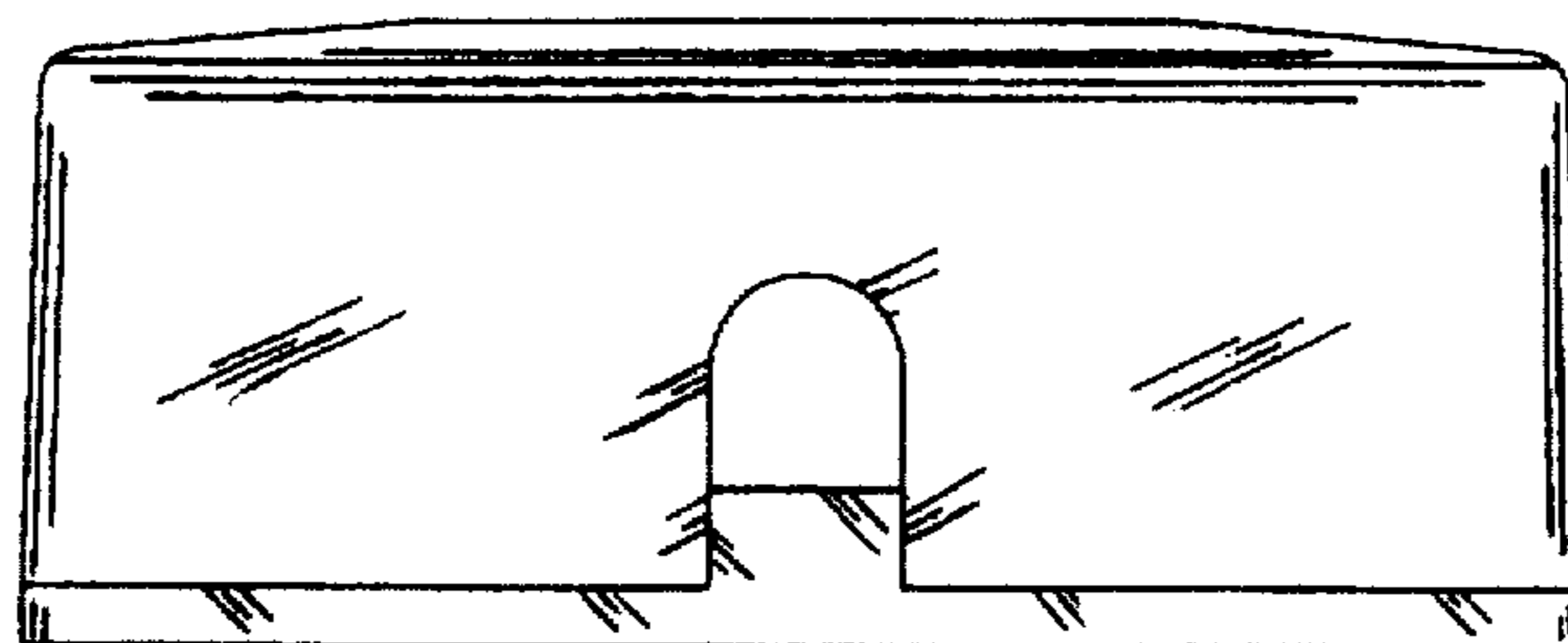


Fig. 4

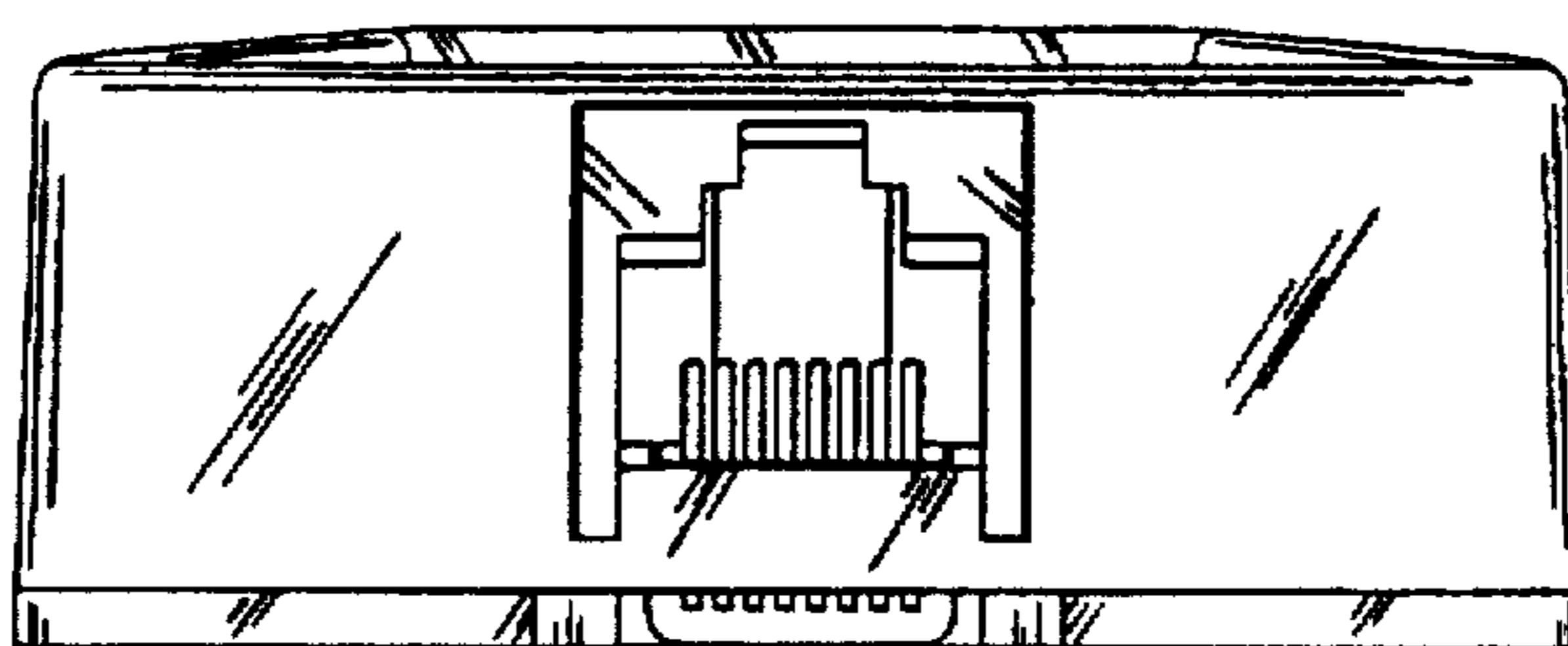


Fig. 5

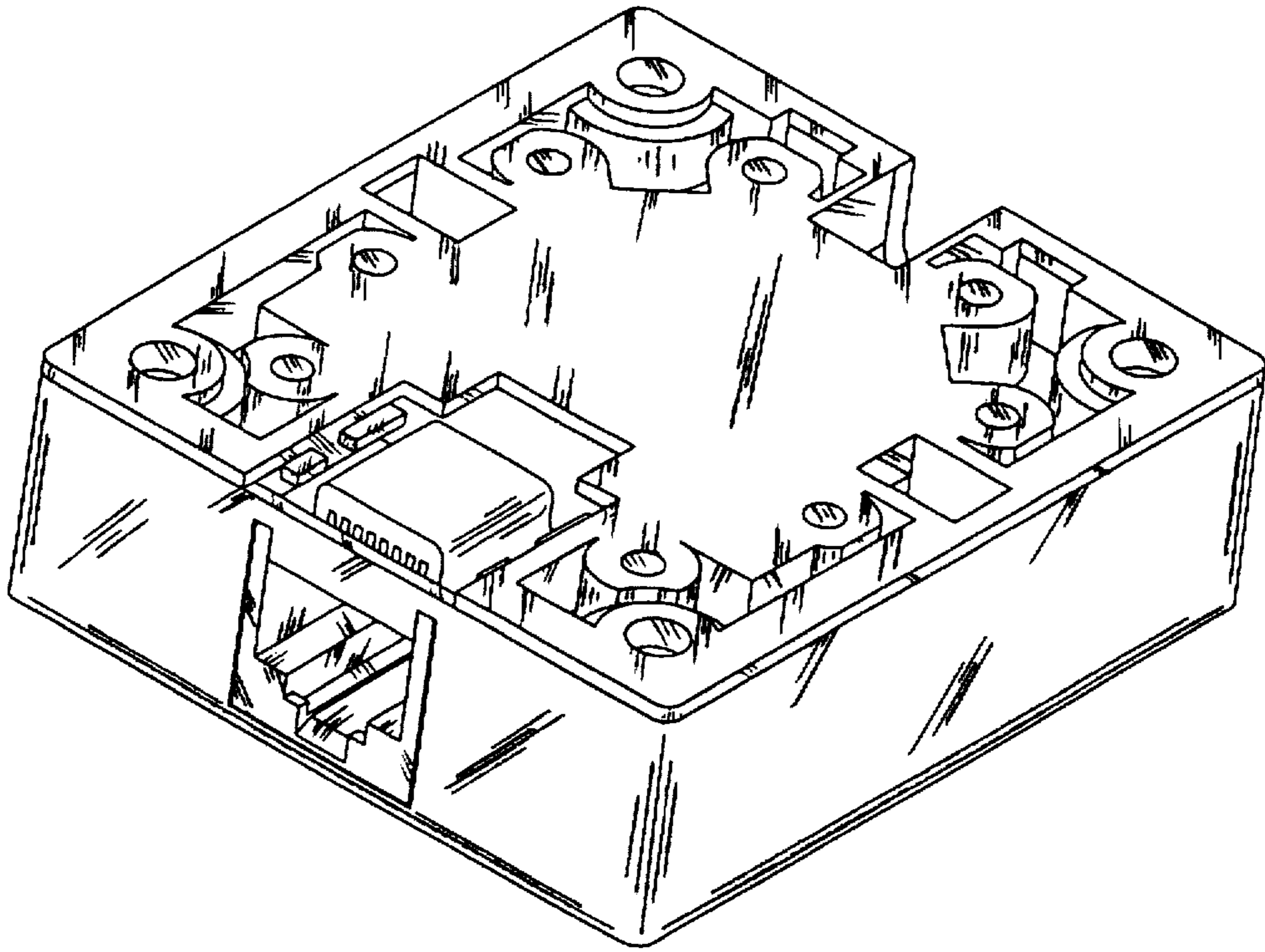


Fig. 6

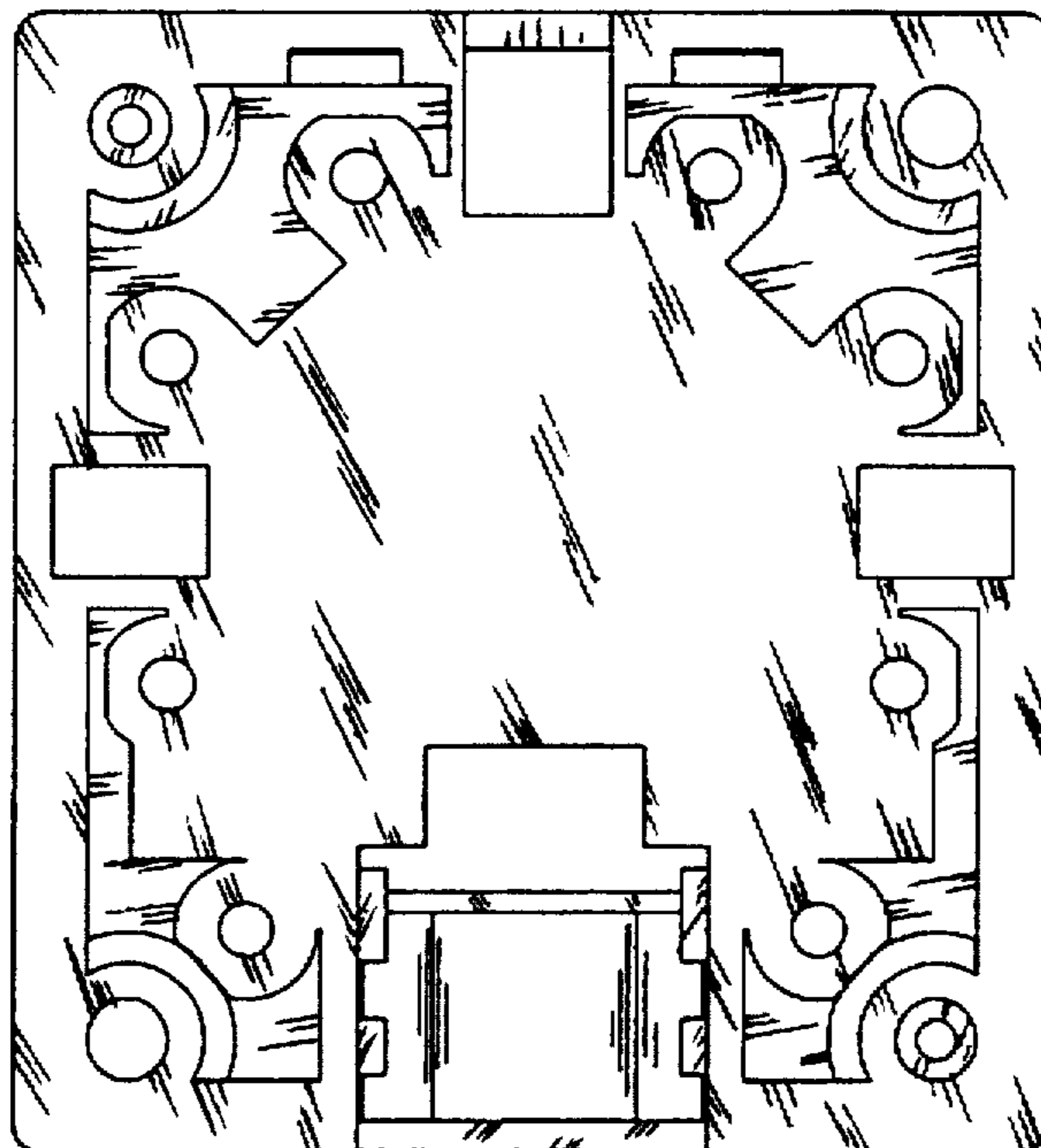


Fig. 7

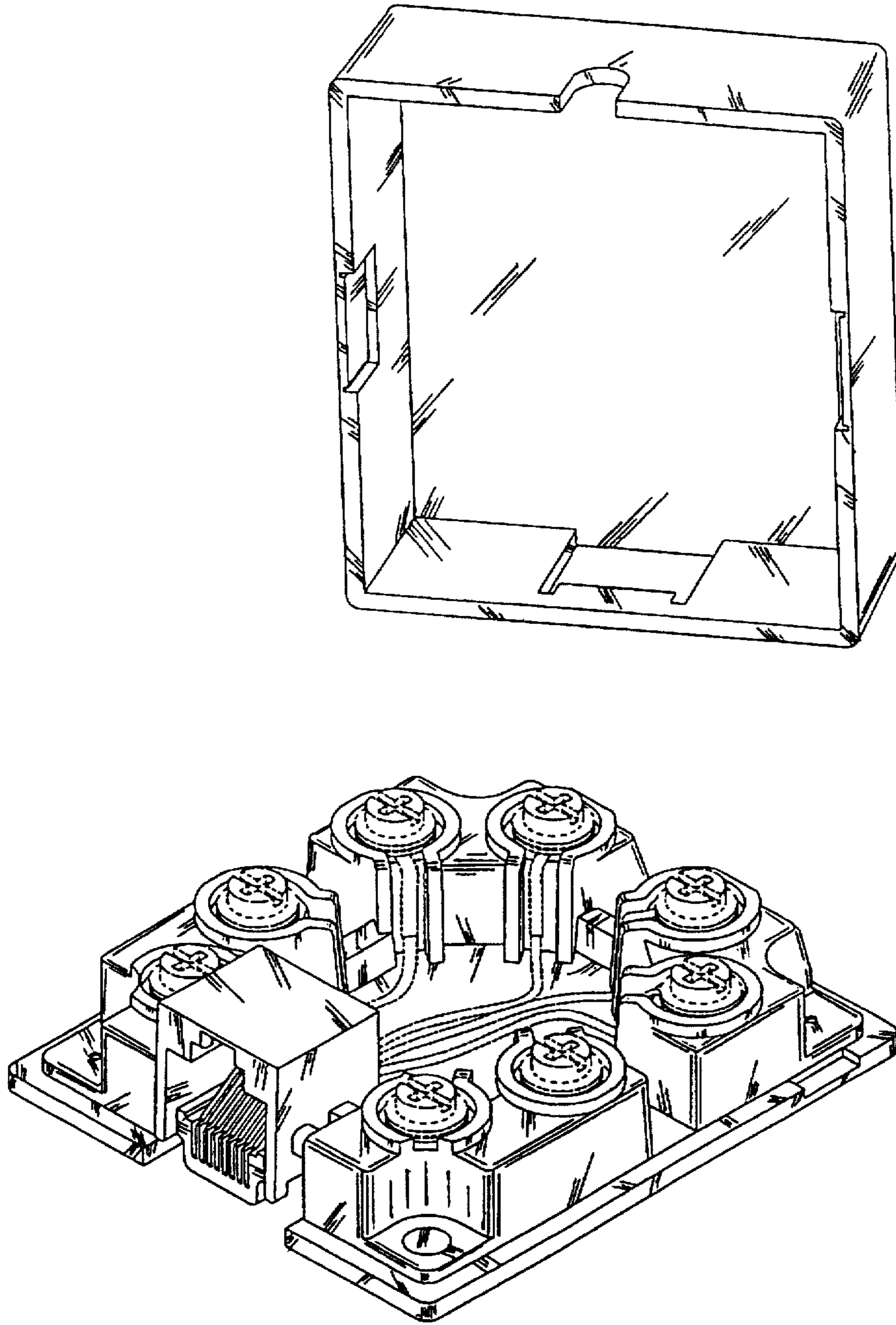


Fig. 8



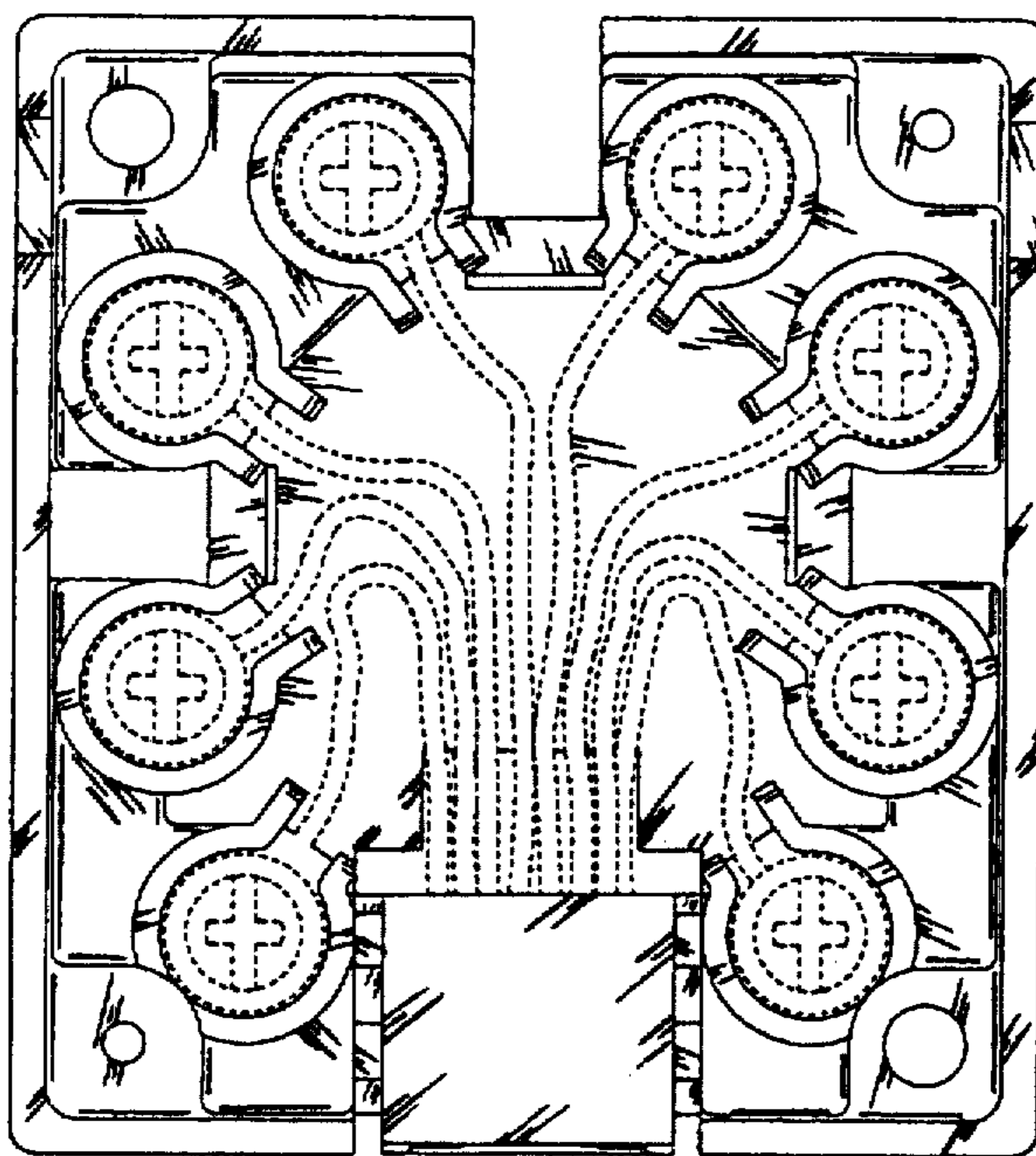


Fig. 9

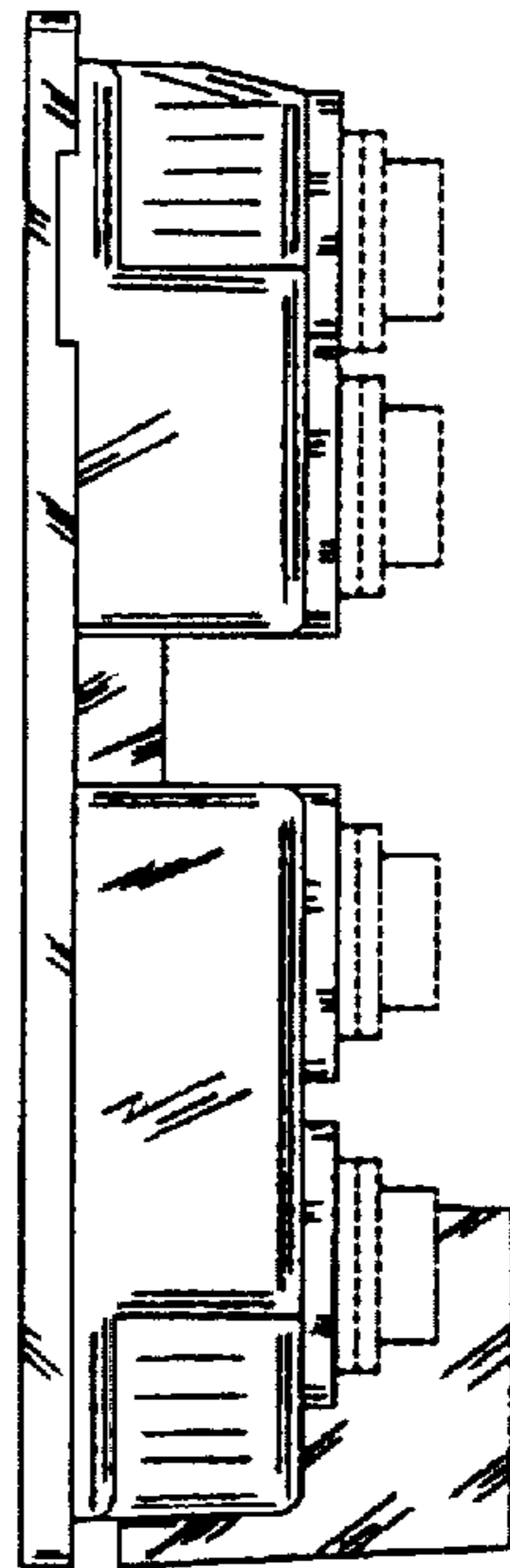


Fig. 10

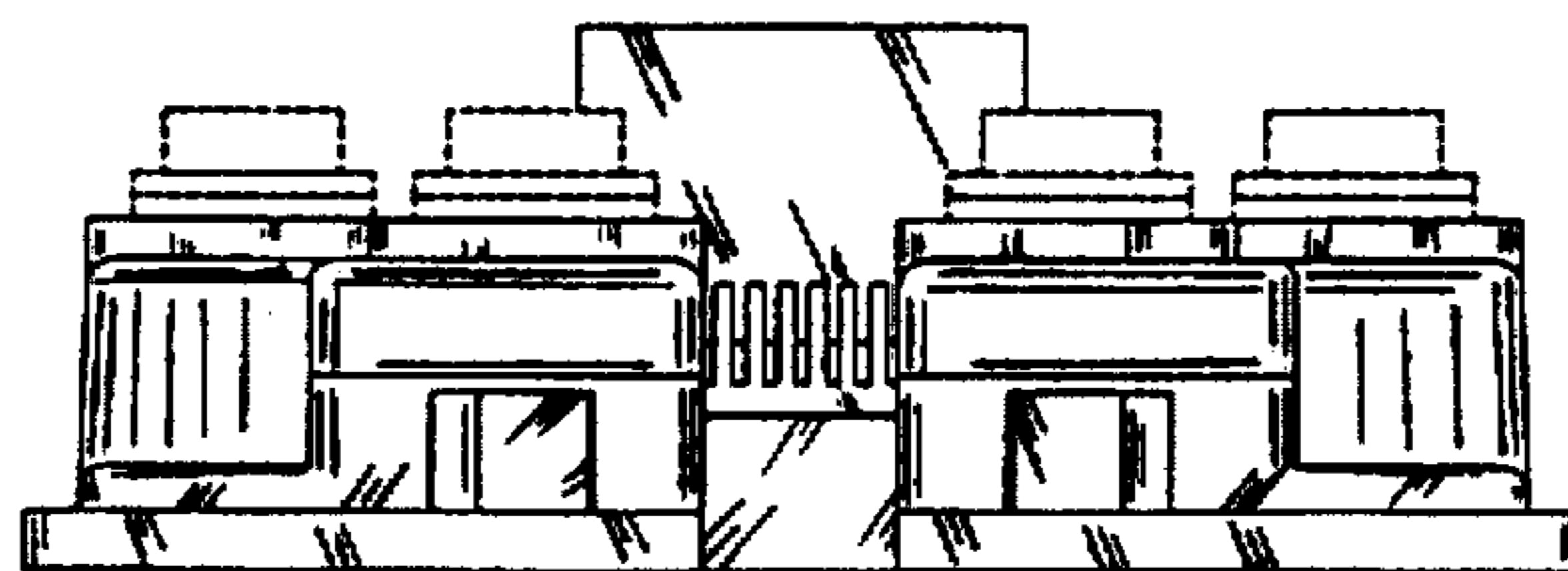


Fig. 11

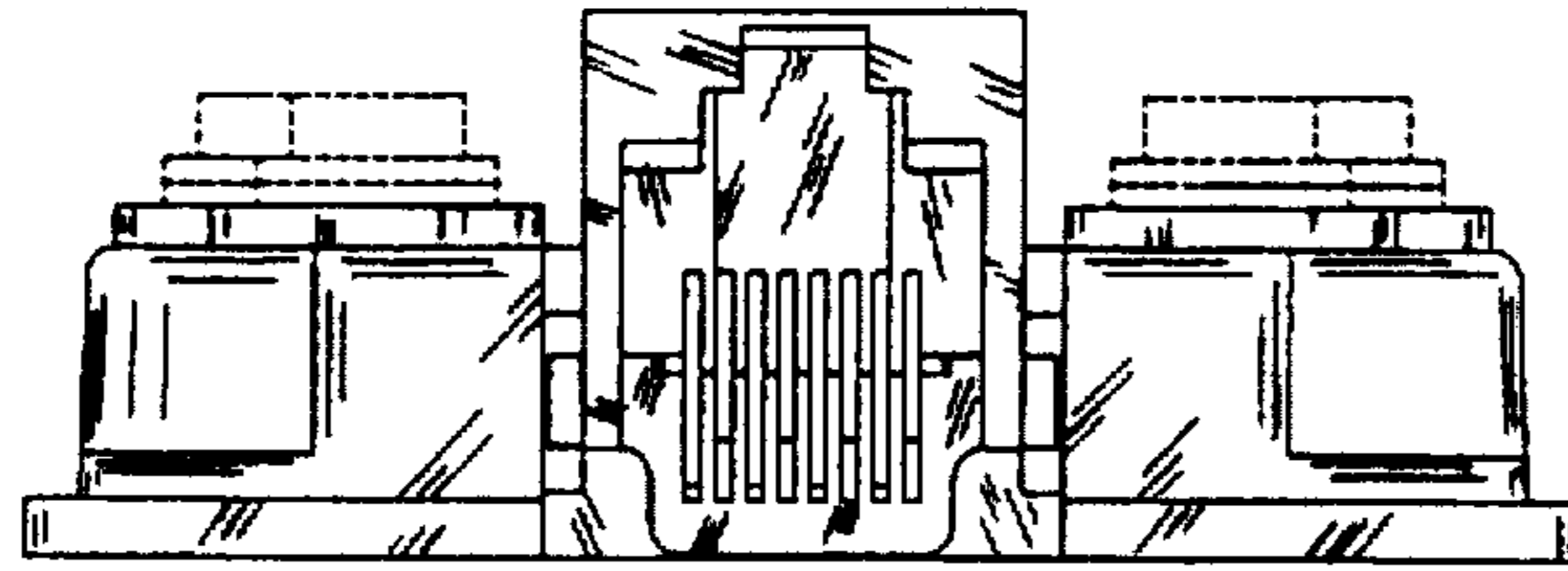


Fig. 12

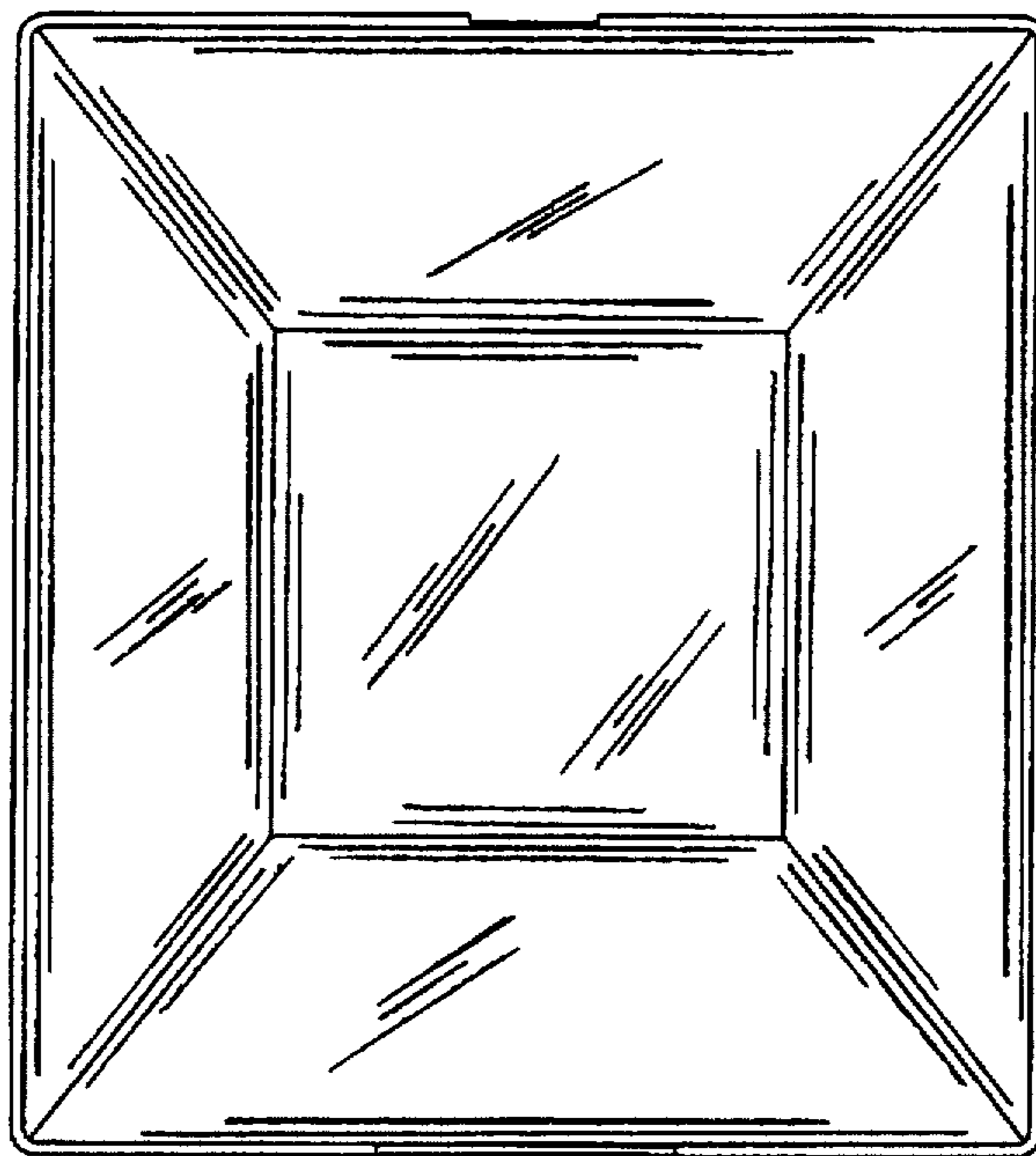


Fig. 13

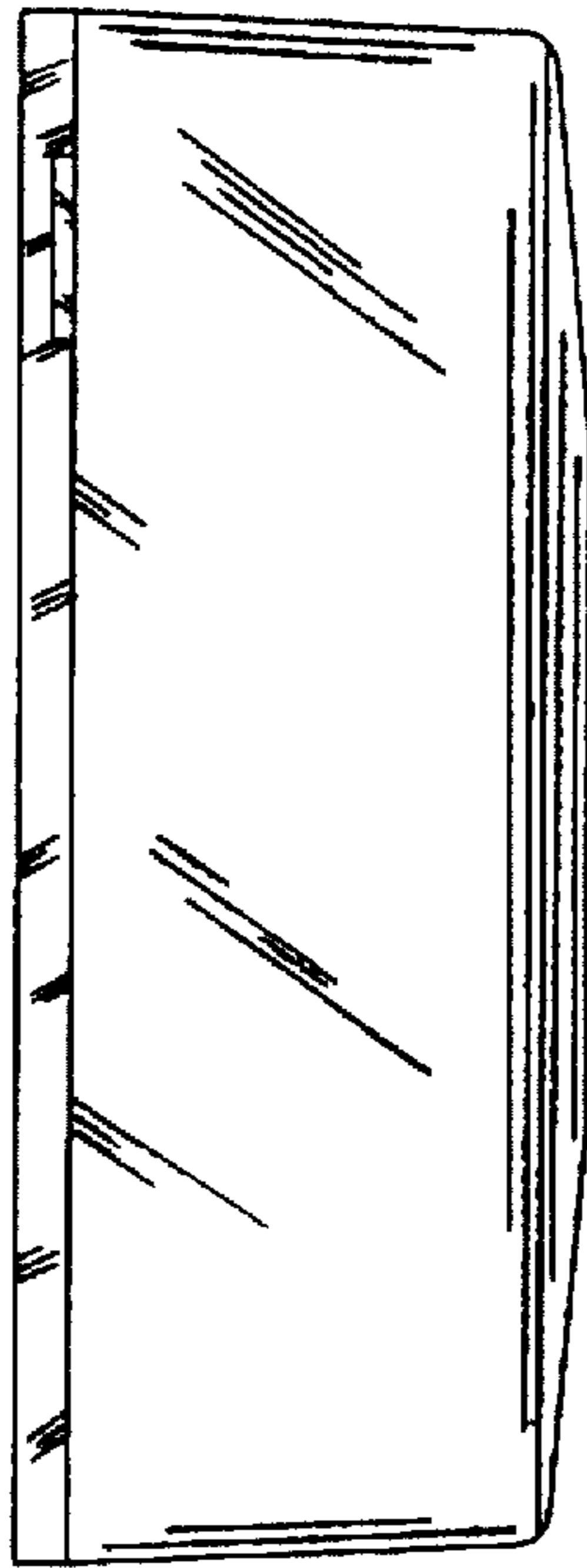


Fig. 14

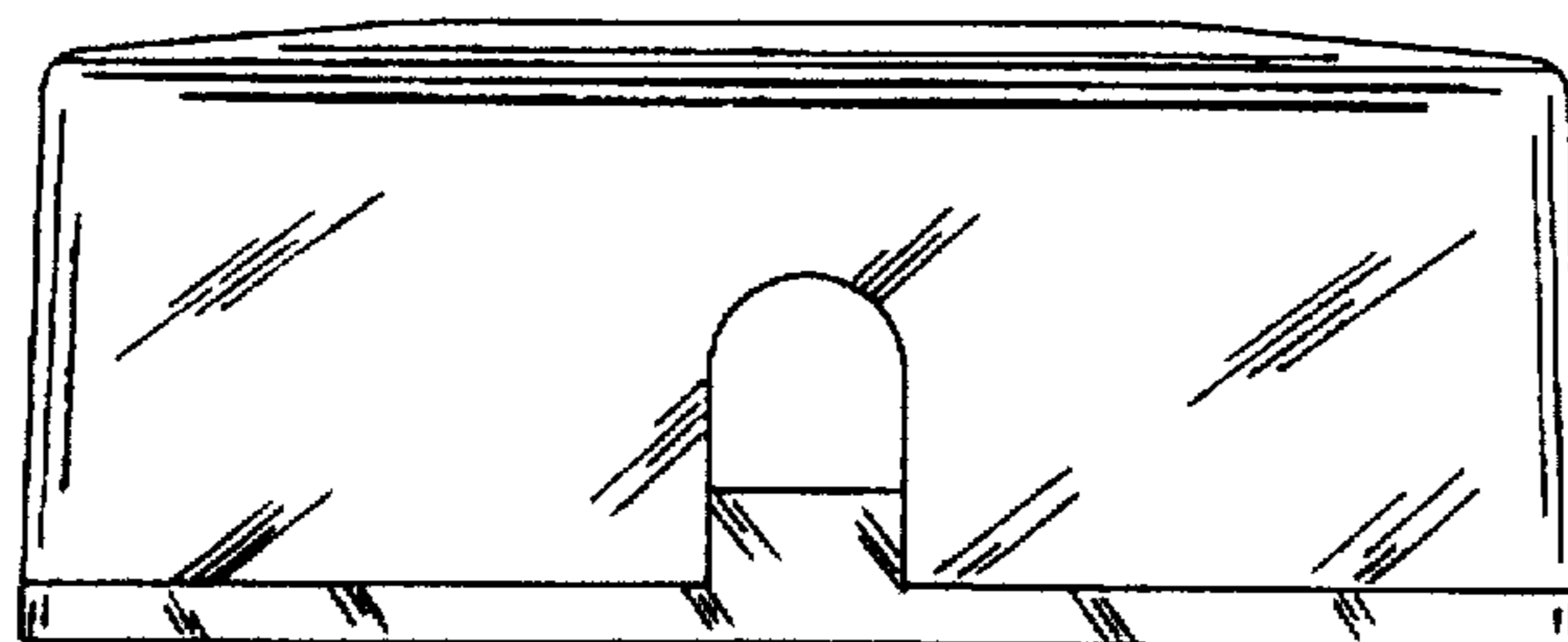


Fig. 15

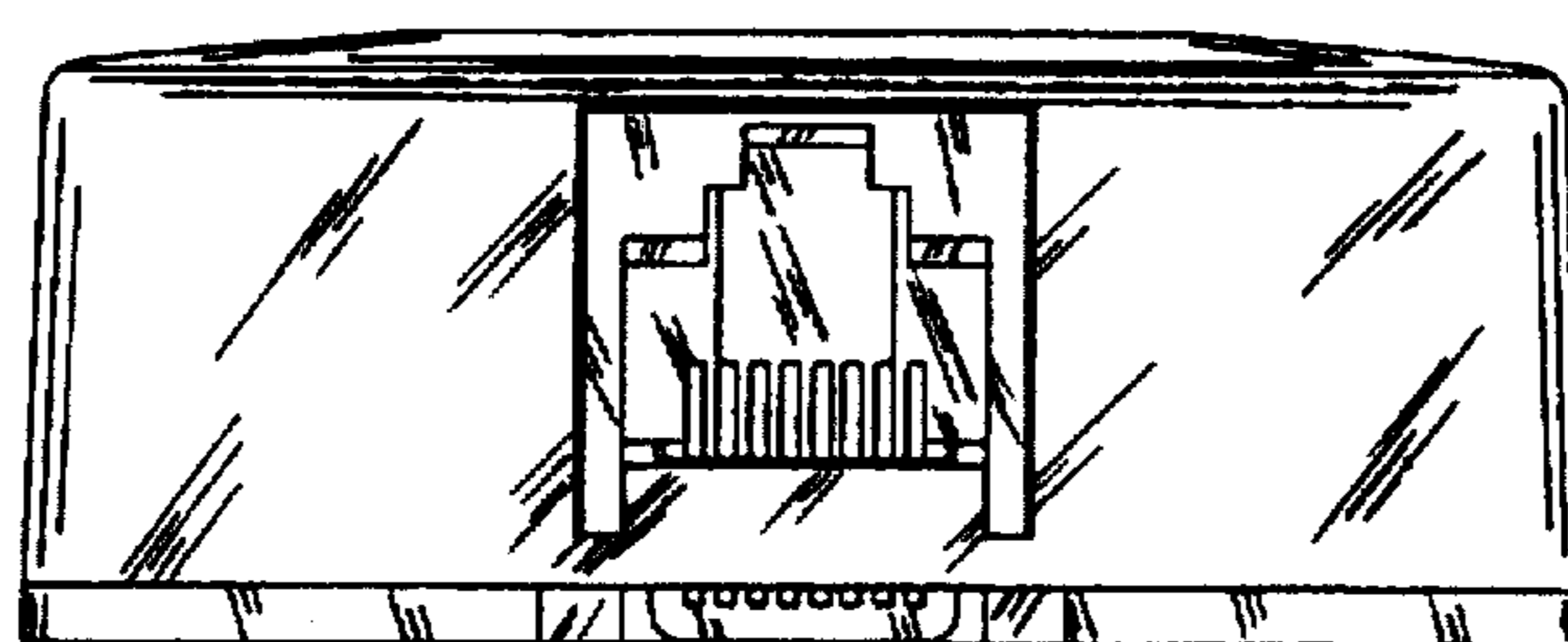


Fig. 16