



US00D396467S

United States Patent [19]
Atkins

[11] **Patent Number:** **Des. 396,467**
[45] **Date of Patent:** ****Jul. 28, 1998**

[54] **AUDIO MIXING BOARD CONSOLE**

5,477,337 12/1995 Schuler 358/335

[76] **Inventor:** **Wm. David Atkins, Rte. 3, Box 4374-A, Osage Beach, Mo. 65065**

Primary Examiner—Lucy Lieberman
Attorney, Agent, or Firm—Senniger, Powers, Leavitt & Roedel

[**] **Term:** **14 Years**

[57] **CLAIM**

[21] **Appl. No.:** **49,692**

The ornamental design for a audio mixing board console, as shown and described.

[22] **Filed:** **Jan. 29, 1996**

DESCRIPTION

[51] **LOC (6) Cl.** **14-99**

[52] **U.S. Cl.** **D14/217; D6/426**

[58] **Field of Search** **D14/217, 124, D14/161, 162, 167, 239, 260; D6/422-428, 480, 484; 381/28, 119, 103; 379/202; 358/335**

FIG. 1 is a perspective view of an audio mixing board console of the present invention showing an audio mixer in phantom;

FIG. 2 is a front elevation of the audio mixing board console; FIG. 3 is a top plan view of the audio mixing board console; FIG. 4 is a right side elevation of the audio mixing board console, the left side elevation being a mirror image of the right side elevation; and,

FIG. 5 is a rear elevation of the audio mixing board console. The broken lines shown in the drawings indicate environmental structure and interior features which form no part of the design. The bottom of the audio mixing board console and the portions of the interior that are not shown in the drawings do not form part of the claimed design.

[56] **References Cited**

U.S. PATENT DOCUMENTS

D. 202,196	9/1965	Beckman	D6/424
D. 216,889	3/1970	Staley	D14/239 X
D. 220,113	3/1971	Trombly	D6/428 X
D. 222,977	2/1972	Schubert et al.	D6/426
D. 239,350	3/1976	Vogt	D6/426
D. 291,196	8/1987	Ito et al.	.	
D. 300,490	4/1989	Helstab	D6/426 X
D. 349,705	8/1994	Ito et al.	.	
5,402,501	3/1995	Silfvajt et al.	381/119

1 Claim, 3 Drawing Sheets

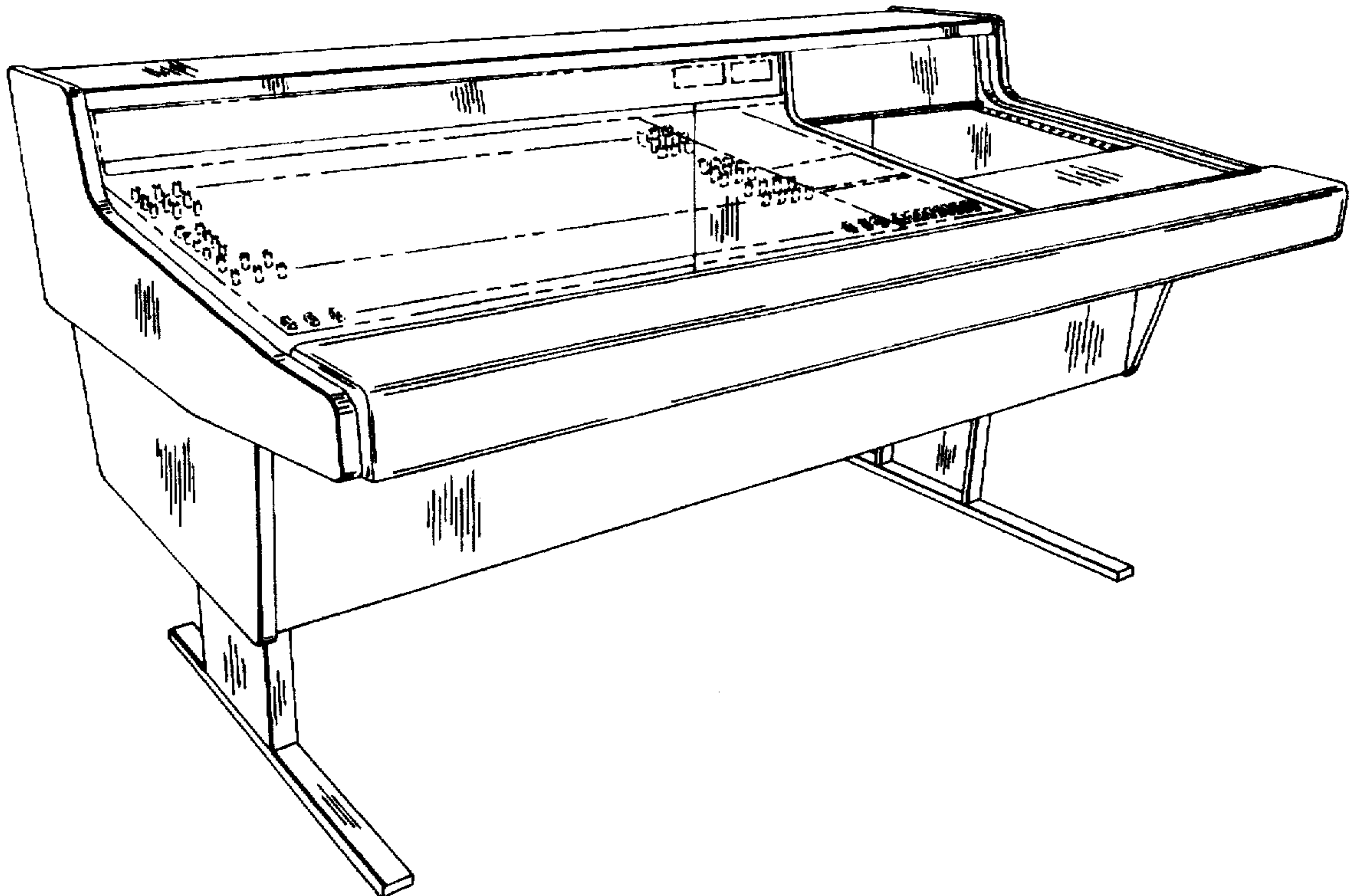


FIG. 1

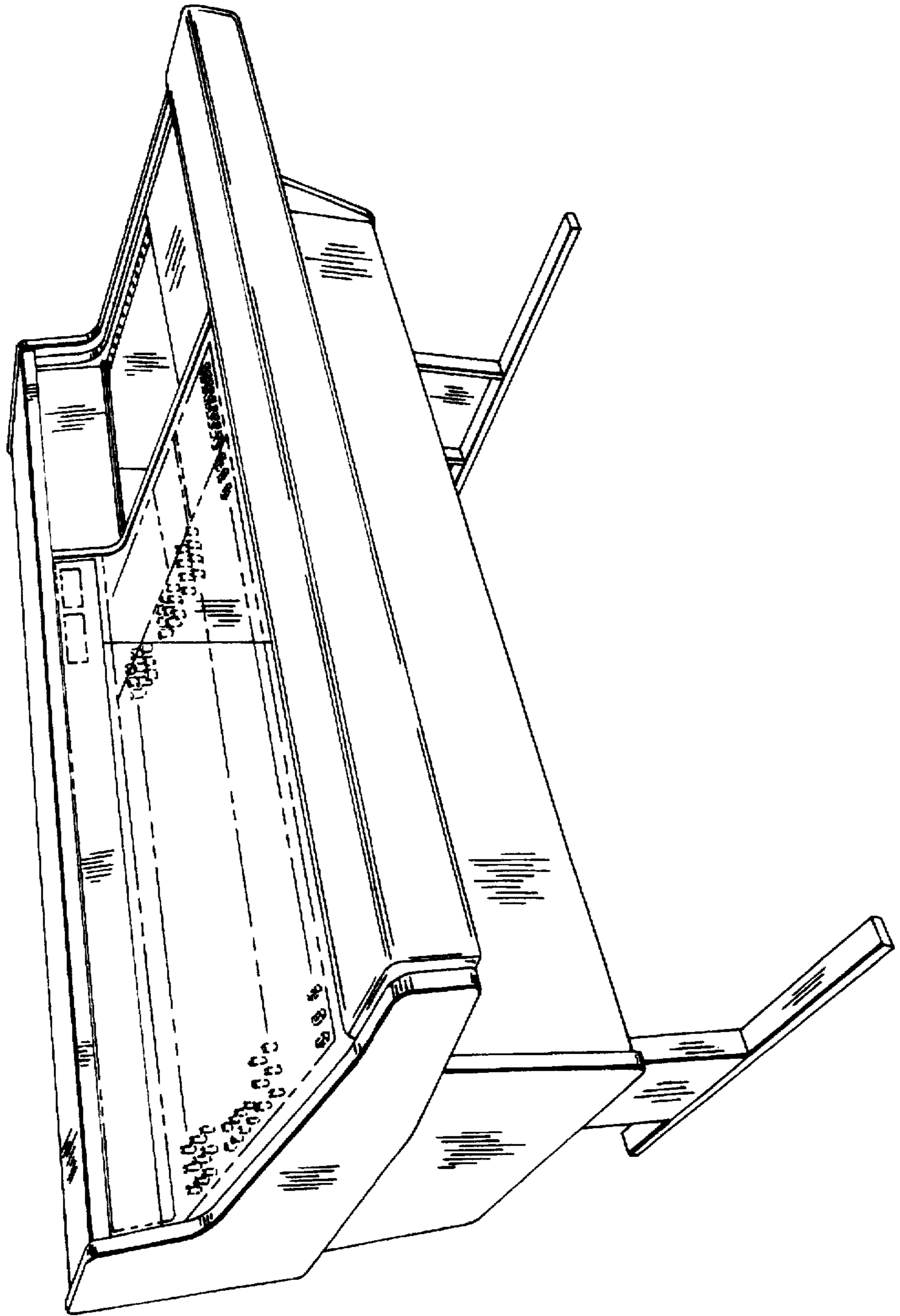


FIG. 2

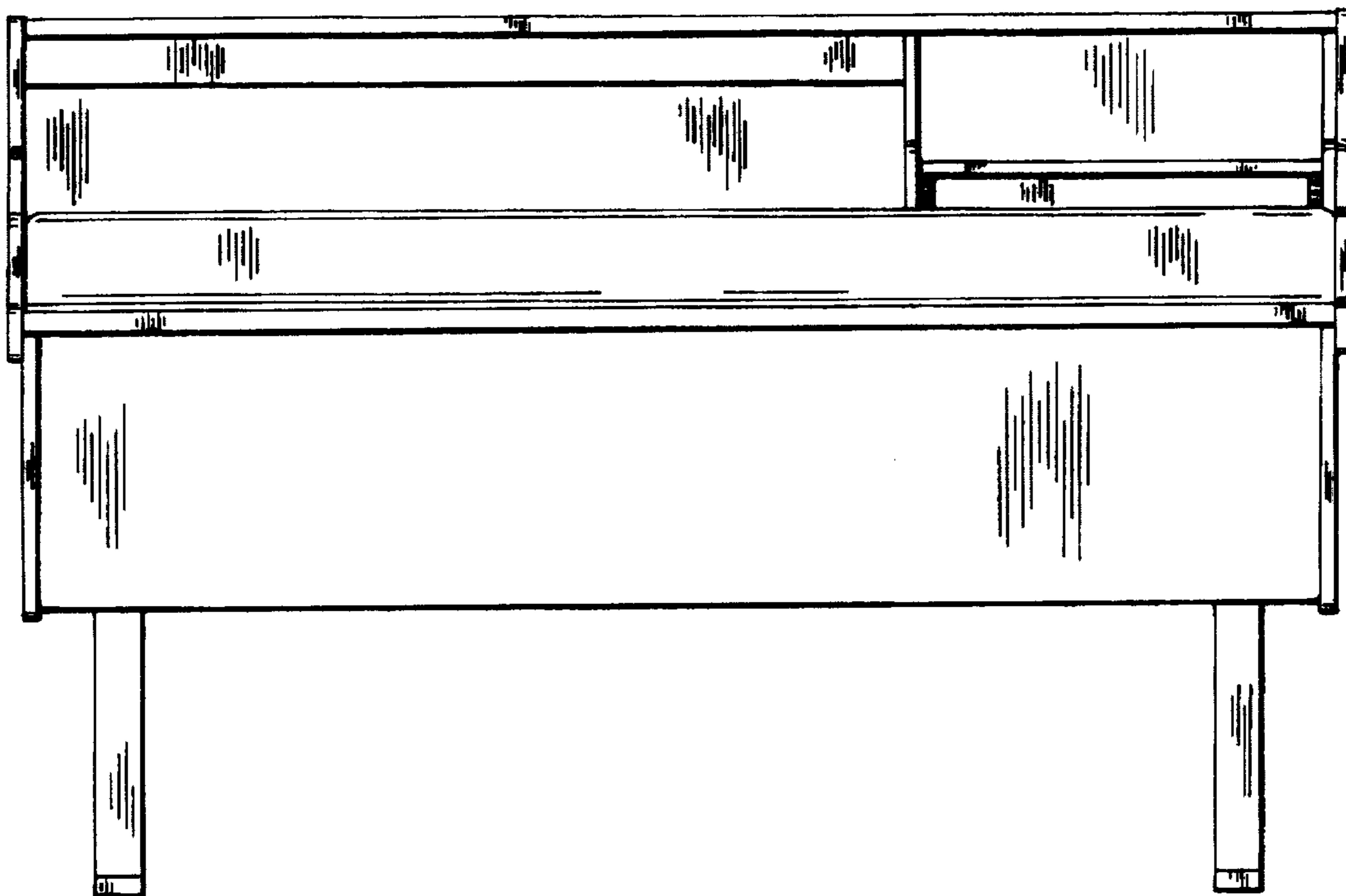


FIG. 3

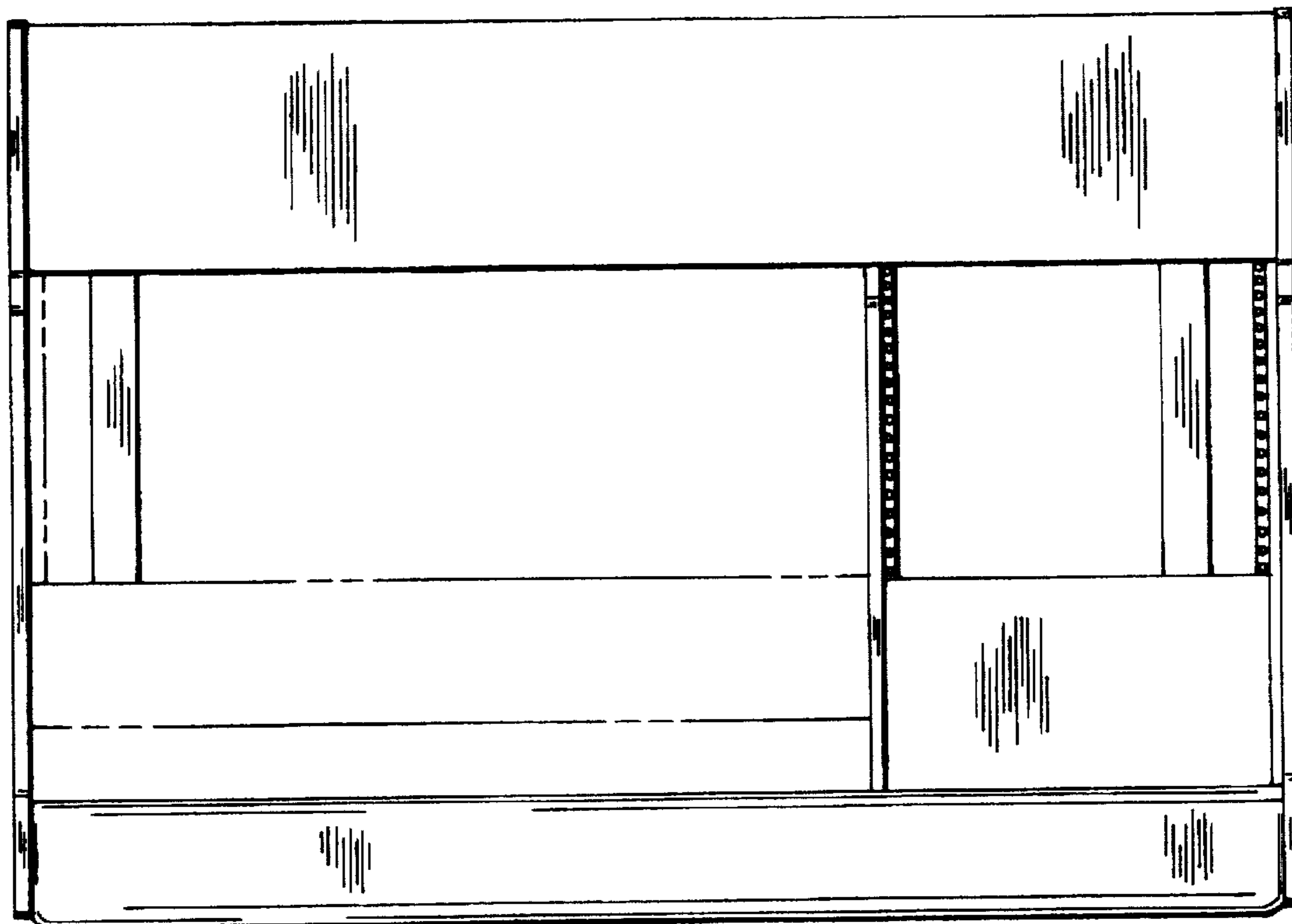


FIG. 4

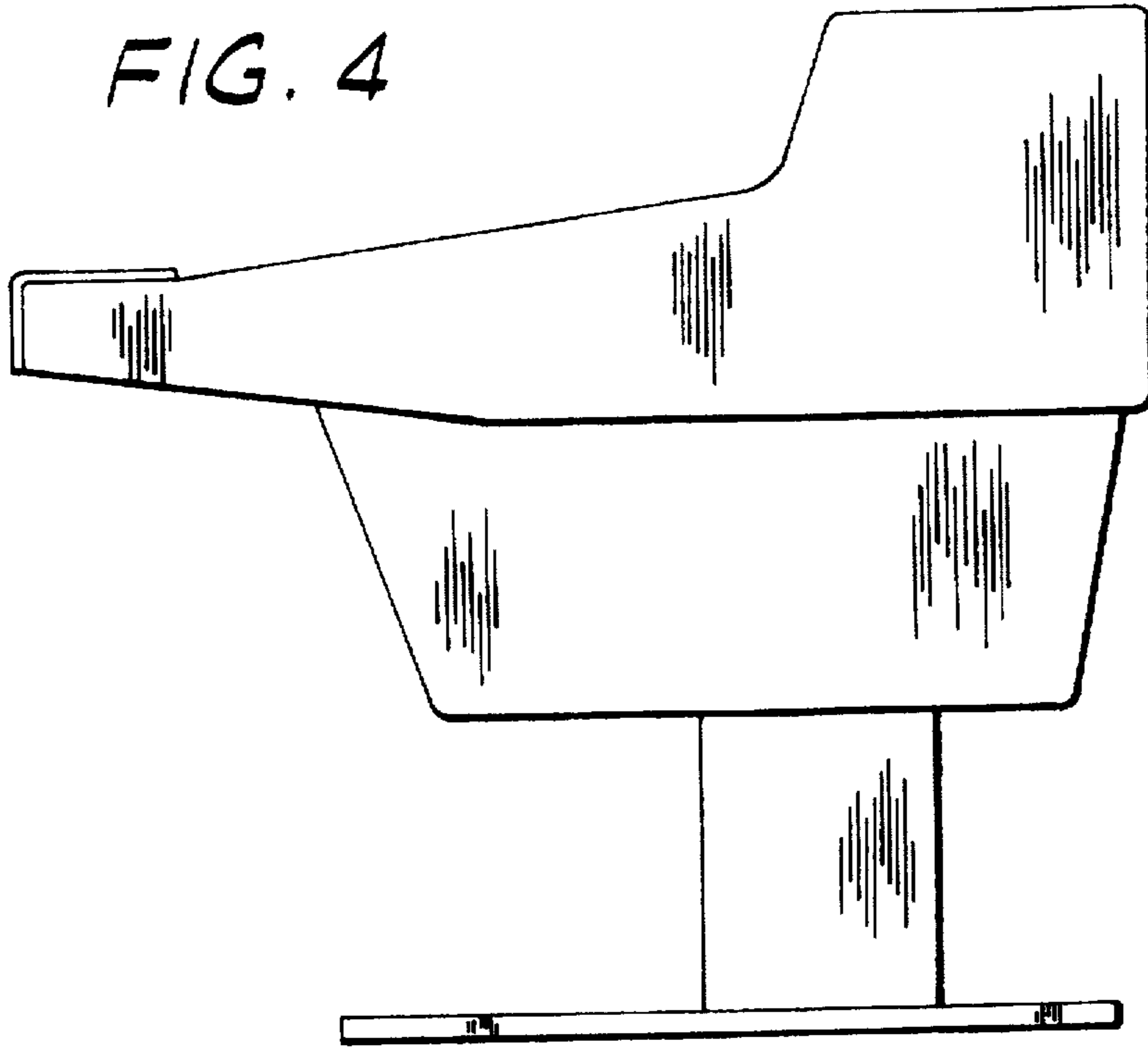
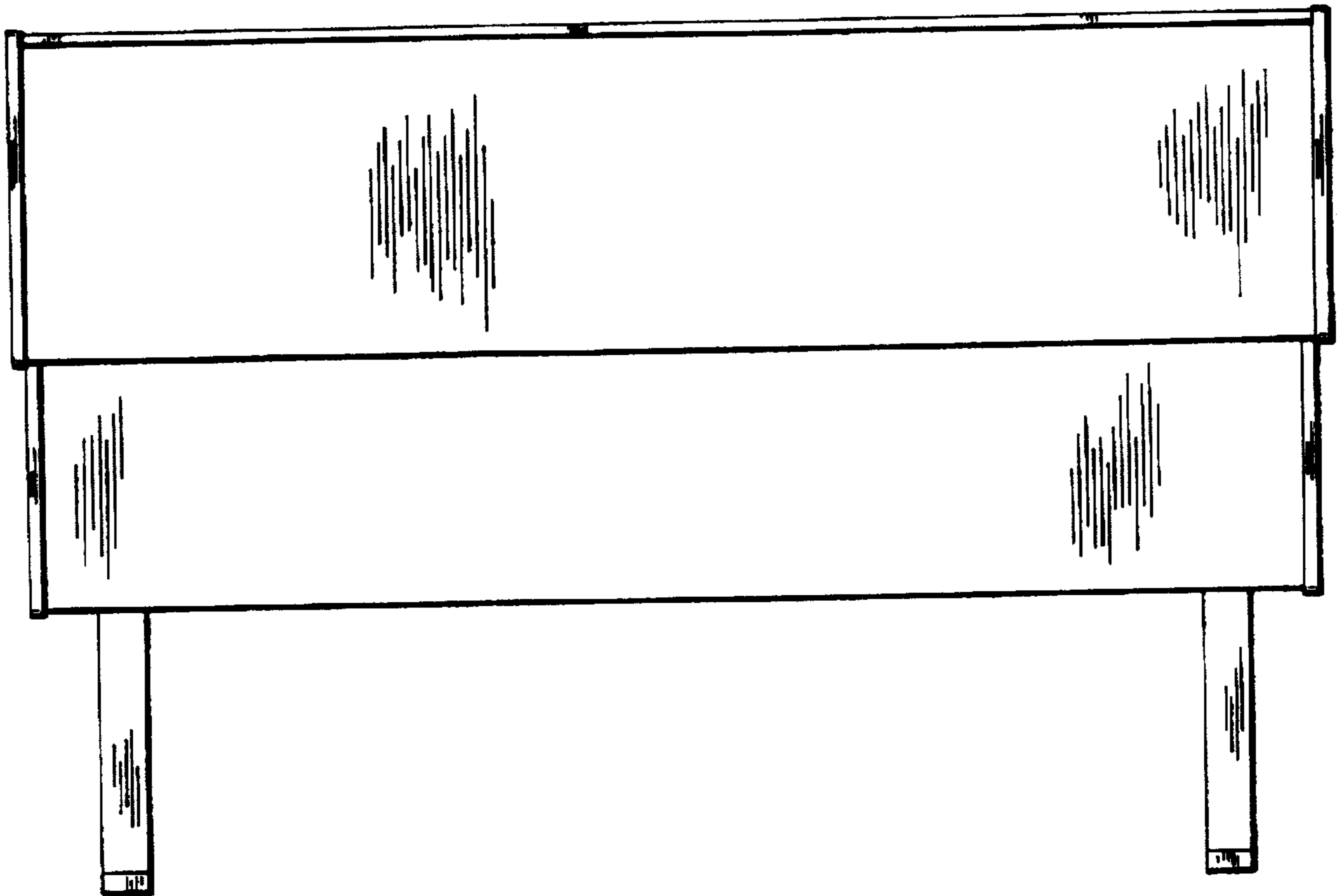


FIG. 5



UNITED STATES PATENT AND TRADEMARK OFFICE
CERTIFICATE OF CORRECTION

PATENT NO. : Des. 396,467
DATED : July 28, 1998
INVENTOR(S) : William David Atkins

It is certified that error appears in the above-identified patent and that said Letters Patent is hereby corrected as shown below:

On the front cover of the issued patent, under the title of Description:

Line 8, "elevation; and," should read ---elevation;---.

Signed and Sealed this
Nineteenth Day of October, 1999

Attest:



Q. TODD DICKINSON

Attesting Officer

Acting Commissioner of Patents and Trademarks