



US00D396466S

United States Patent [19]
Sibbitt

[11] **Patent Number:** **Des. 396,466**
[45] **Date of Patent:** ****Jul. 28, 1998**

[54] **PAGER**

[76] **Inventor:** **Kevin L. Sibbitt**, 1012 Chokecherry Dr., Winter Springs, Fla. 32708

[**] **Term:** **14 Years**

[21] **Appl. No.:** **76,679**

[22] **Filed:** **Sep. 12, 1997**

[51] **LOC (6) Cl.** **14-01**

[52] **U.S. Cl.** **D14/191**

[58] **Field of Search** D14/124, 188, D14/191, 192, 257, 265; 340/311.1; 455/38.1-38.4, 90, 92, 100, 128, 344

[56] **References Cited**

U.S. PATENT DOCUMENTS

- D. 304,194 10/1989 Fuller et al. D14/257
- D. 326,264 5/1992 Bouhuys D14/191
- D. 352,666 11/1994 Williams D14/191 X

D. 359,048 6/1995 Brandsma D14/191

Primary Examiner—Ted Shooman
Assistant Examiner—Nanda Bondade
Attorney, Agent, or Firm—James H. Beusse

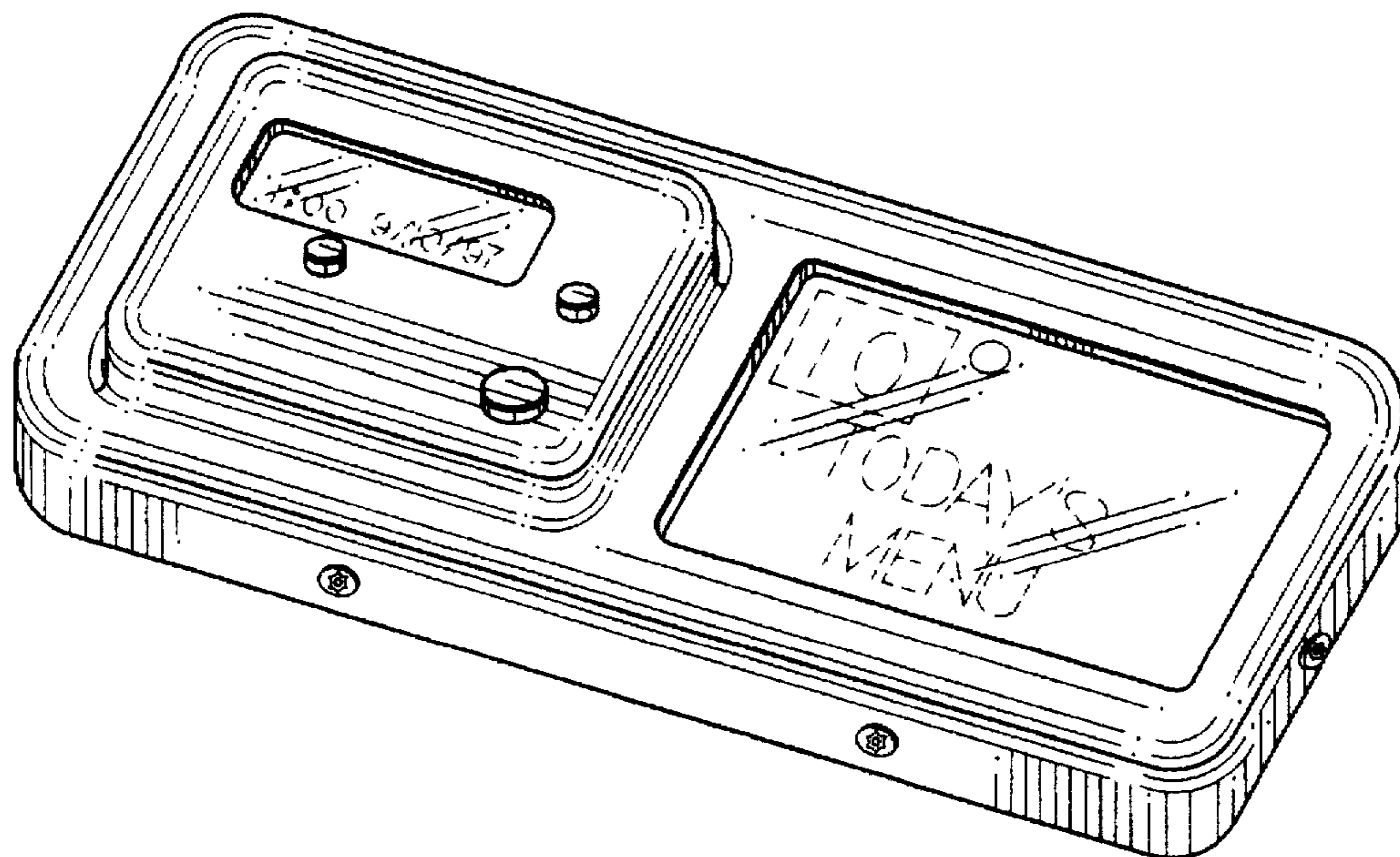
[57] **CLAIM**

The ornamental design for a pager, as shown and described.

DESCRIPTION

FIG. 1 is a top, front, and right side perspective view of a pager showing my new design;
FIG. 2 is a right side elevational view thereof;
FIG. 3 is a left side elevational view thereof;
FIG. 4 is a top plan view thereof;
FIG. 5 is a bottom plan view thereof;
FIG. 6 is a rear elevational view thereof; and,
FIG. 7 is a front elevational view.
The broken line showing on FIGS. 1 and 4 is for illustrative purposes only and forms no part of the claimed design.

1 Claim, 1 Drawing Sheet



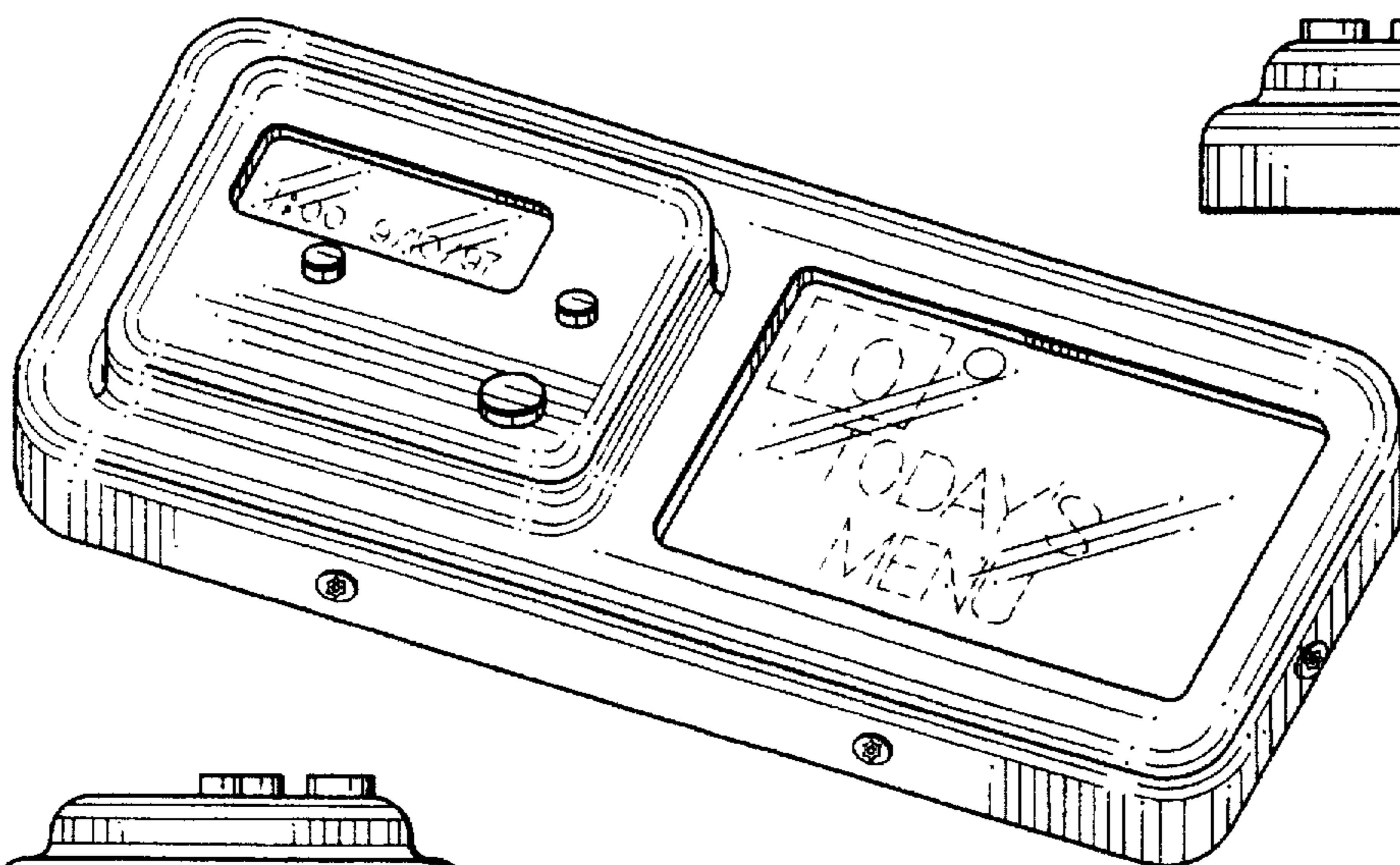


FIG. 2

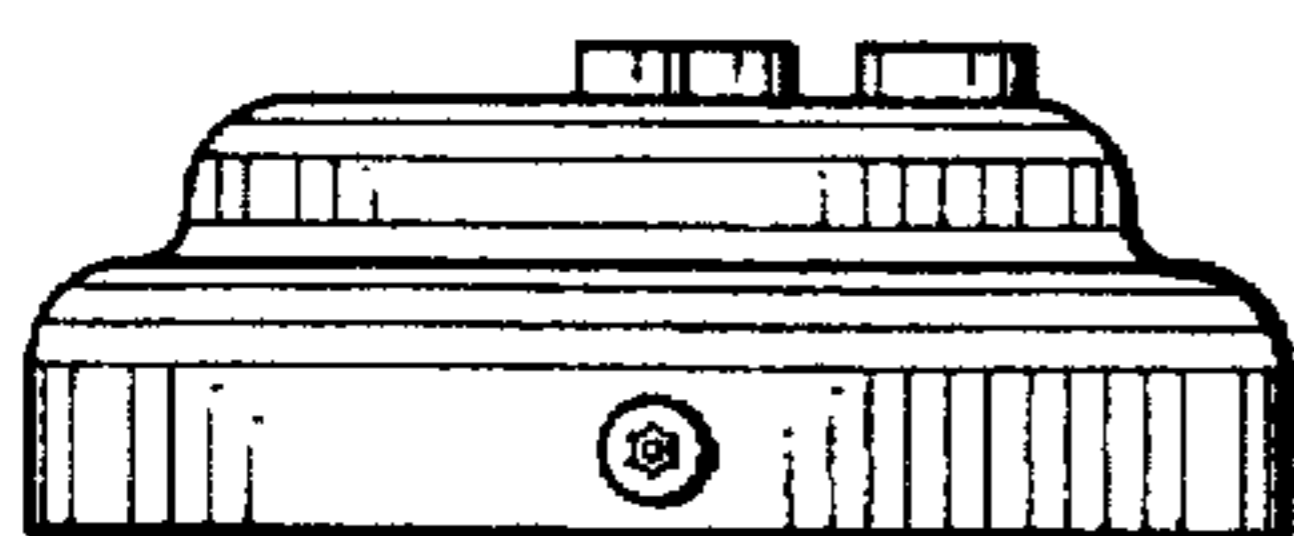
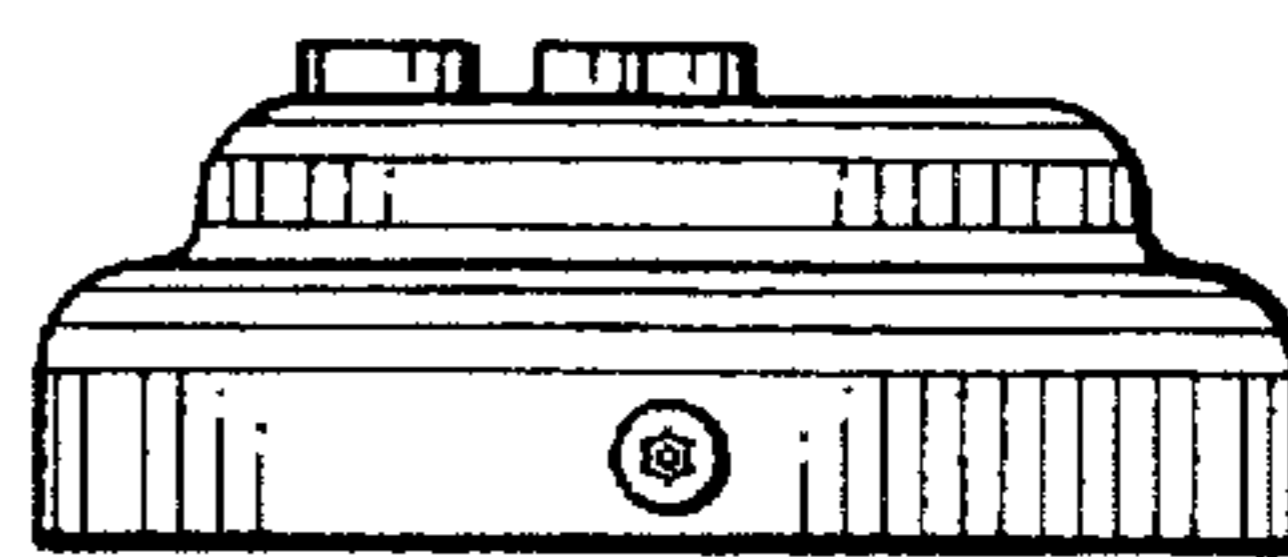


FIG. 3

FIG. 1

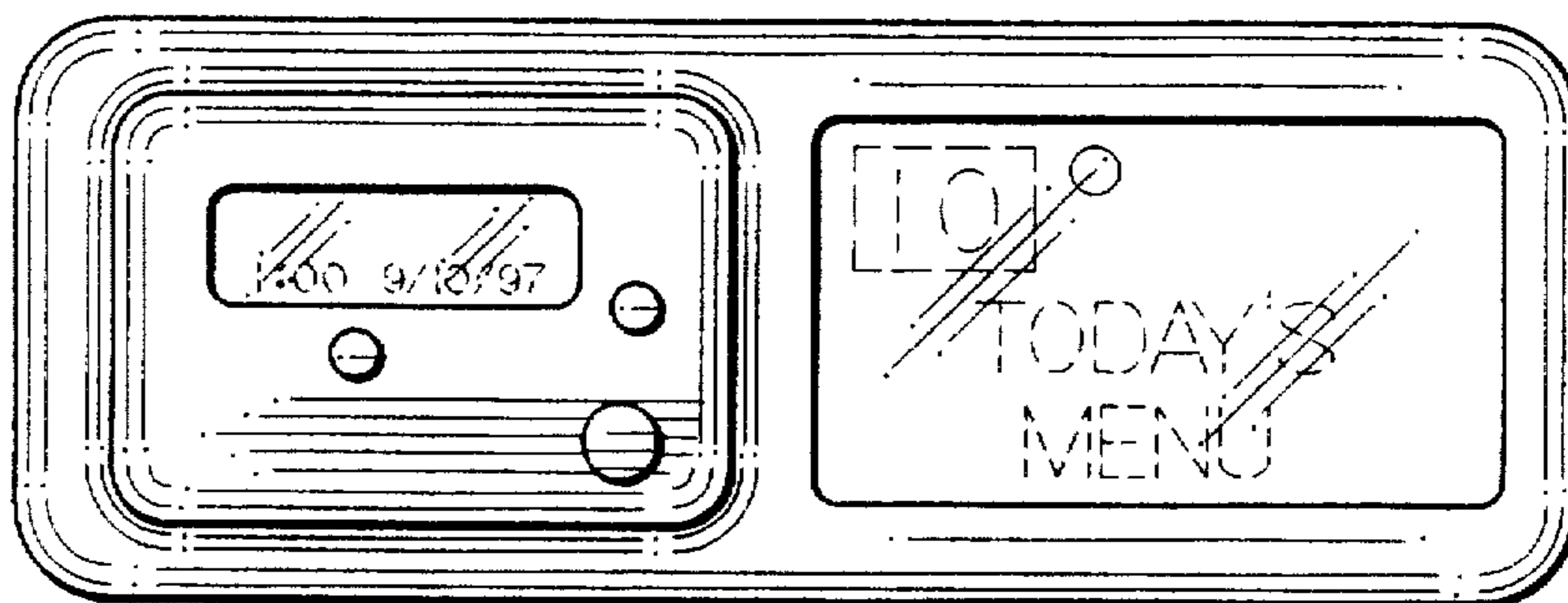


FIG. 4

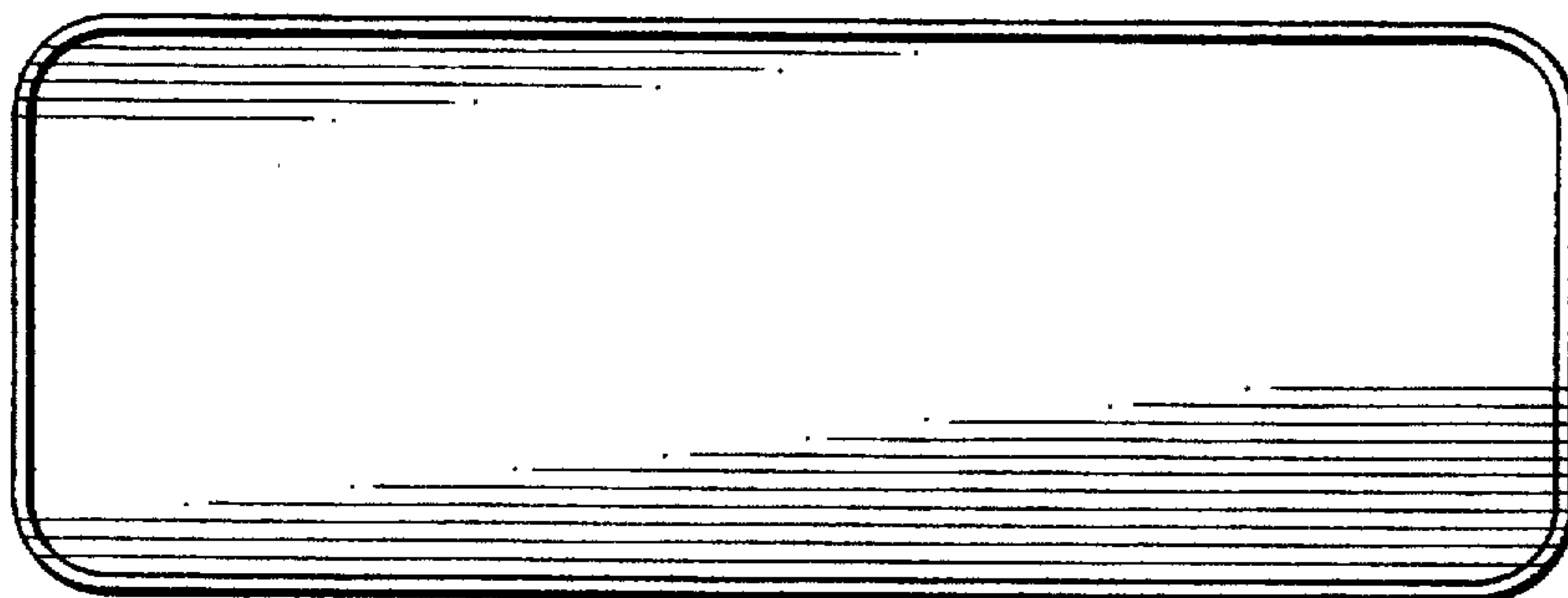


FIG. 5

FIG. 6

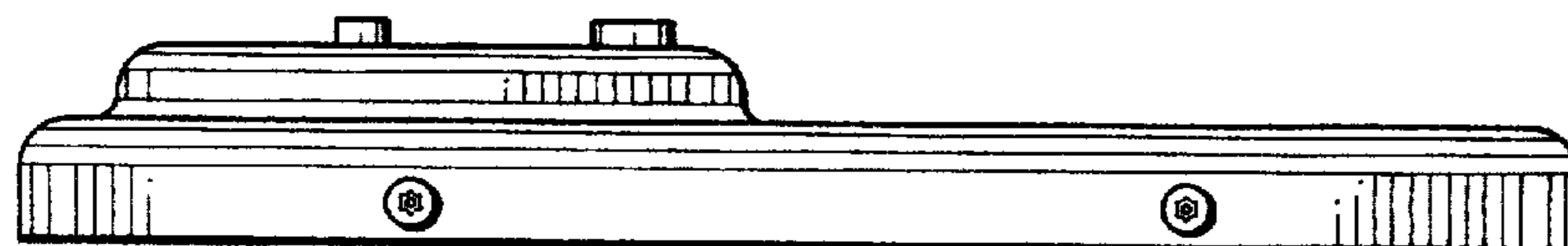
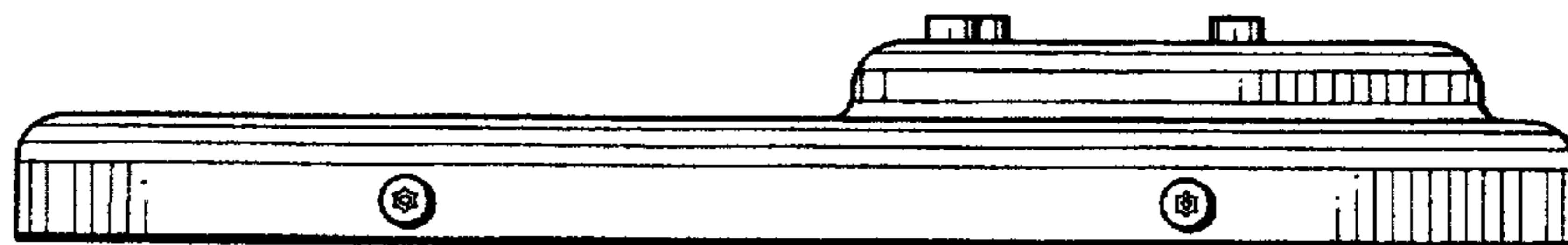


FIG. 7