



US00D396463S

# United States Patent [19]

Nada et al.

[11] Patent Number: Des. 396,463

[45] Date of Patent: \*\*Jul. 28, 1998

[54] IMAGE READING APPARATUS FOR AN ELECTRONIC COMPUTER

[75] Inventors: Yoshiyuki Nada; Jun Takahashi, both of Hachiouji, Japan

[73] Assignee: Olympus Optical Co., Ltd., Tokyo, Japan

[\*\*] Term: 14 Years

[21] Appl. No.: 73,682

[22] Filed: Jul. 15, 1997

### [30] Foreign Application Priority Data

Feb. 10, 1997 [JP] Japan ..... 9-3401

[51] LOC (6) Cl. .... 14-02

[52] U.S. Cl. .... D14/116

[58] Field of Search ..... D14/100, 114, D14/116, 107; D19/41-51; 235/375, 378, 385, 454, 462, 472, 486; 382/312-15, 321, 318-19; 250/203.1, 216; D26/37, 45, 50

### [56] References Cited

#### U.S. PATENT DOCUMENTS

D. 318,291 7/1991 Ohnumata ..... D14/116 X

|            |         |                |       |         |
|------------|---------|----------------|-------|---------|
| D. 319,824 | 9/1991  | Riddiford      | ..... | D14/116 |
| D. 343,829 | 2/1994  | Okuda et al.   | ..... | D14/116 |
| D. 351,151 | 10/1994 | Park et al.    | ..... | D14/116 |
| D. 352,939 | 11/1994 | Karlin         | ..... | D14/116 |
| D. 361,564 | 8/1995  | Inaba          | ..... | D14/116 |
| D. 376,357 | 12/1996 | Ferland et al. | ..... | D14/116 |

Primary Examiner—M. H. Tung  
Attorney, Agent, or Firm—Laff, Whitesel Conte & Saret, Ltd.

### [57] CLAIM

The ornamental design for an image reading apparatus for an electronic computer, as shown and described.

### DESCRIPTION

FIG. 1 is a front, top and left side perspective view of an image reading apparatus for an electronic computer, showing our new design;

FIG. 2 is a bottom plan view thereof;

FIG. 3 is a top plan view thereof;

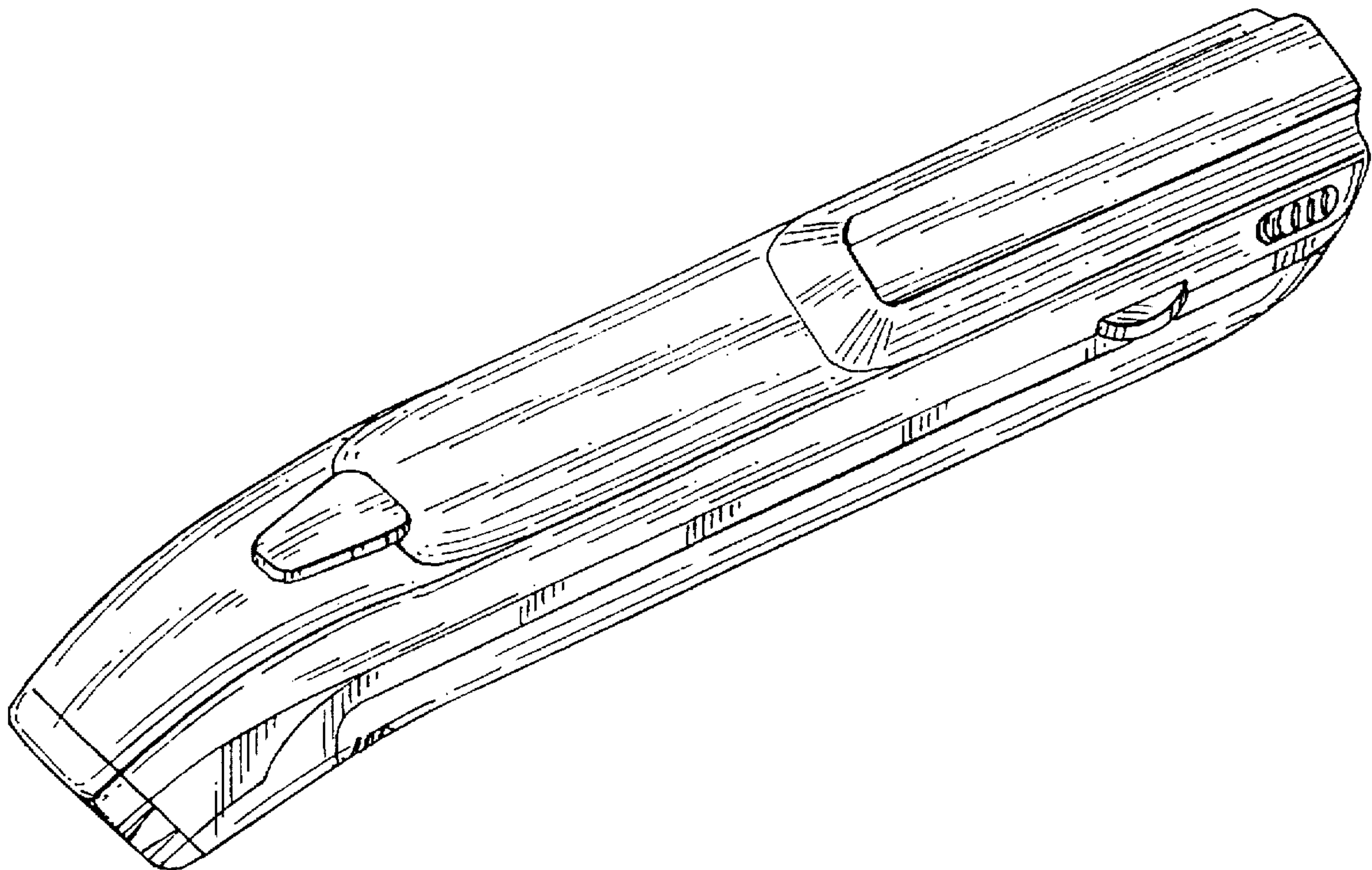
FIG. 4 is a front elevational view thereof;

FIG. 5 is a rear elevational view thereof;

FIG. 6 is a left side elevational view thereof; and,

FIG. 7 is a right side elevational view thereof.

1 Claim, 2 Drawing Sheets



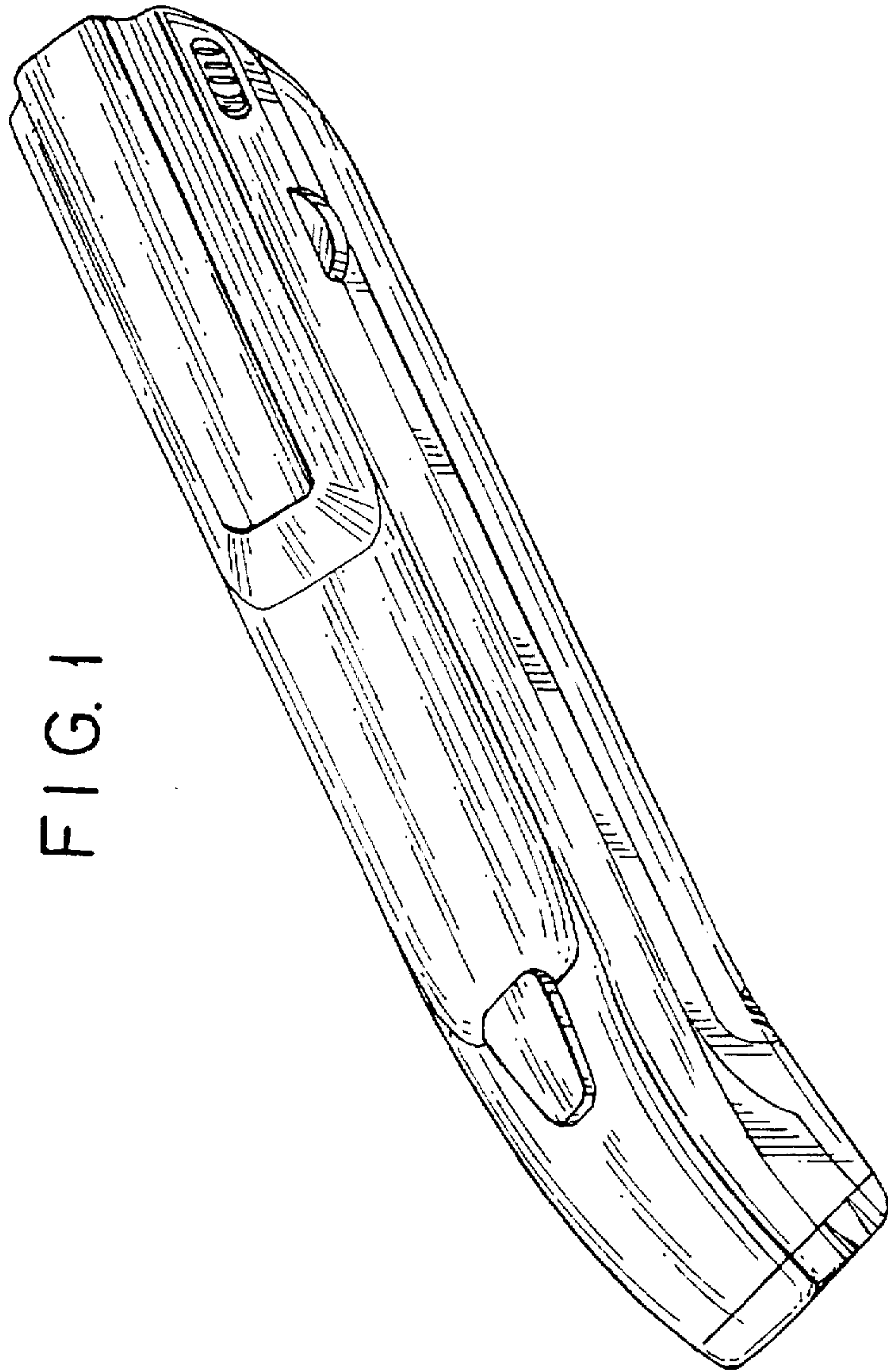


FIG. 1

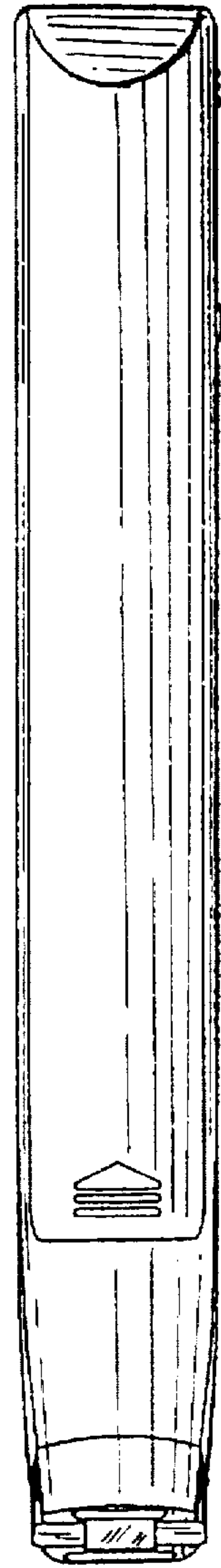


FIG. 2

FIG. 6

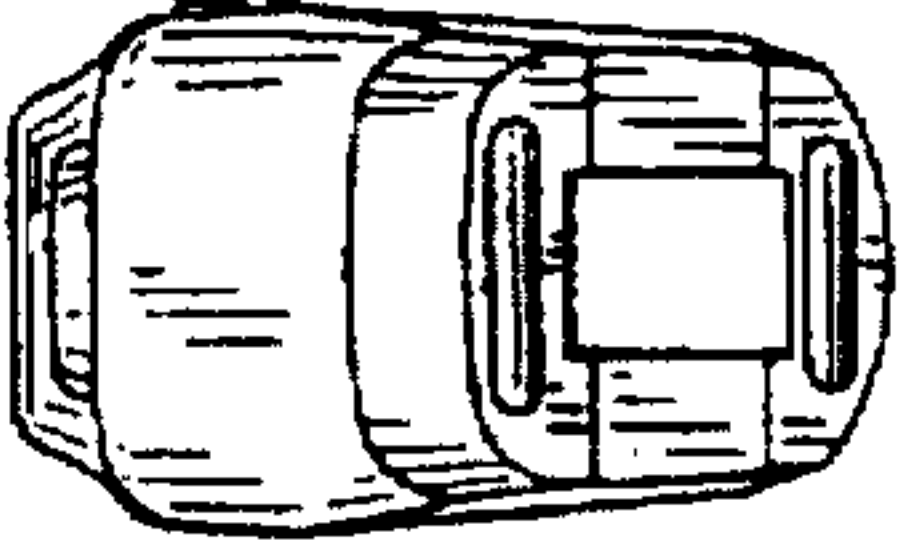


FIG. 7

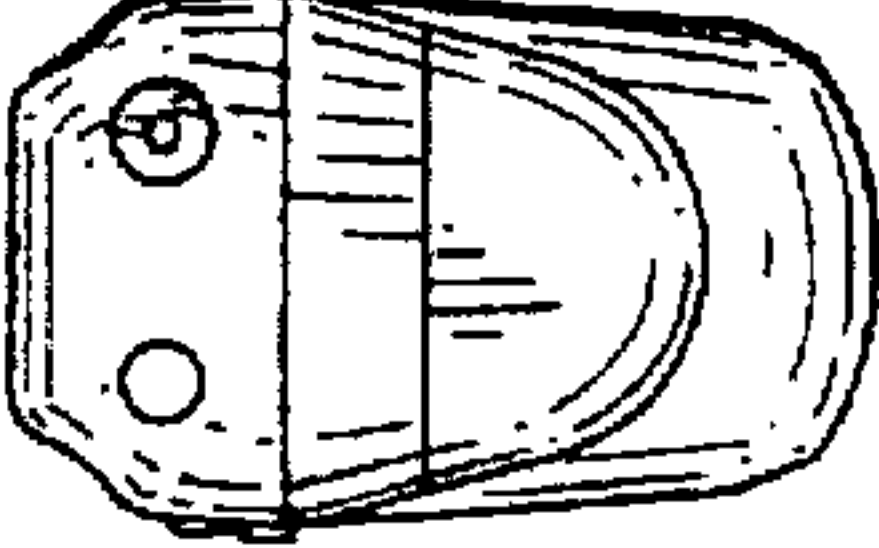


FIG. 3

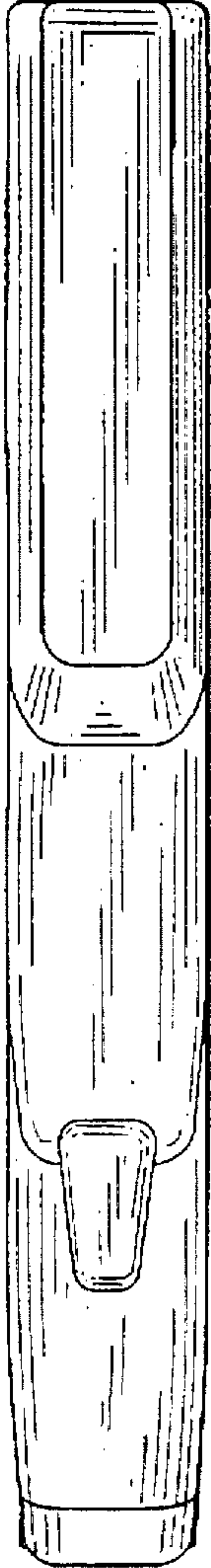


FIG. 4

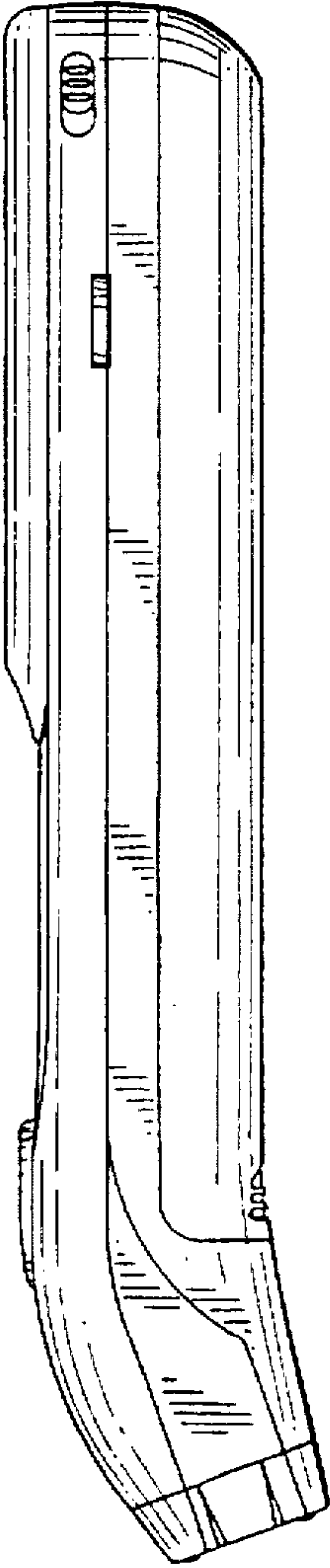


FIG. 5

