



US00D396462S

United States Patent [19]
Fu

[11] **Patent Number:** **Des. 396,462**
[45] **Date of Patent:** ****Jul. 28, 1998**

[54] **PERSONAL COMPUTER FRONT PANEL**

Primary Examiner—Freda Nunn

[75] **Inventor:** **Richard C. Y. Fu**, Cerritos, Calif.

[57] **CLAIM**

[73] **Assignee:** **Hon Hai Precision Ind. Co., Ltd.**,
Taiwan

The ornamental design for a personal computer front panel,
as shown.

[**] **Term:** **14 Years**

DESCRIPTION

[21] **Appl. No.:** **77,069**

FIG. 1 is a perspective view of a personal computer front panel showing my new design;

[22] **Filed:** **Sep. 25, 1997**

FIG. 2 is a front elevational view thereof;

[51] **LOC (6) Cl.** **14-02**

FIG. 3 is a rear elevational view thereof;

[52] **U.S. Cl.** **D14/115**

FIG. 4 is a right side elevational view thereof;

[58] **Field of Search** D14/100, 102,
D14/107-109, 115, 257, 258, 137, 156,
217; D13/162, 164, 177, 184, 199; D10/103;
312/223.2; 428/99; 361/724-728

FIG. 5 is a left side elevational view thereof;

FIG. 6 is a top plan view thereof; and,

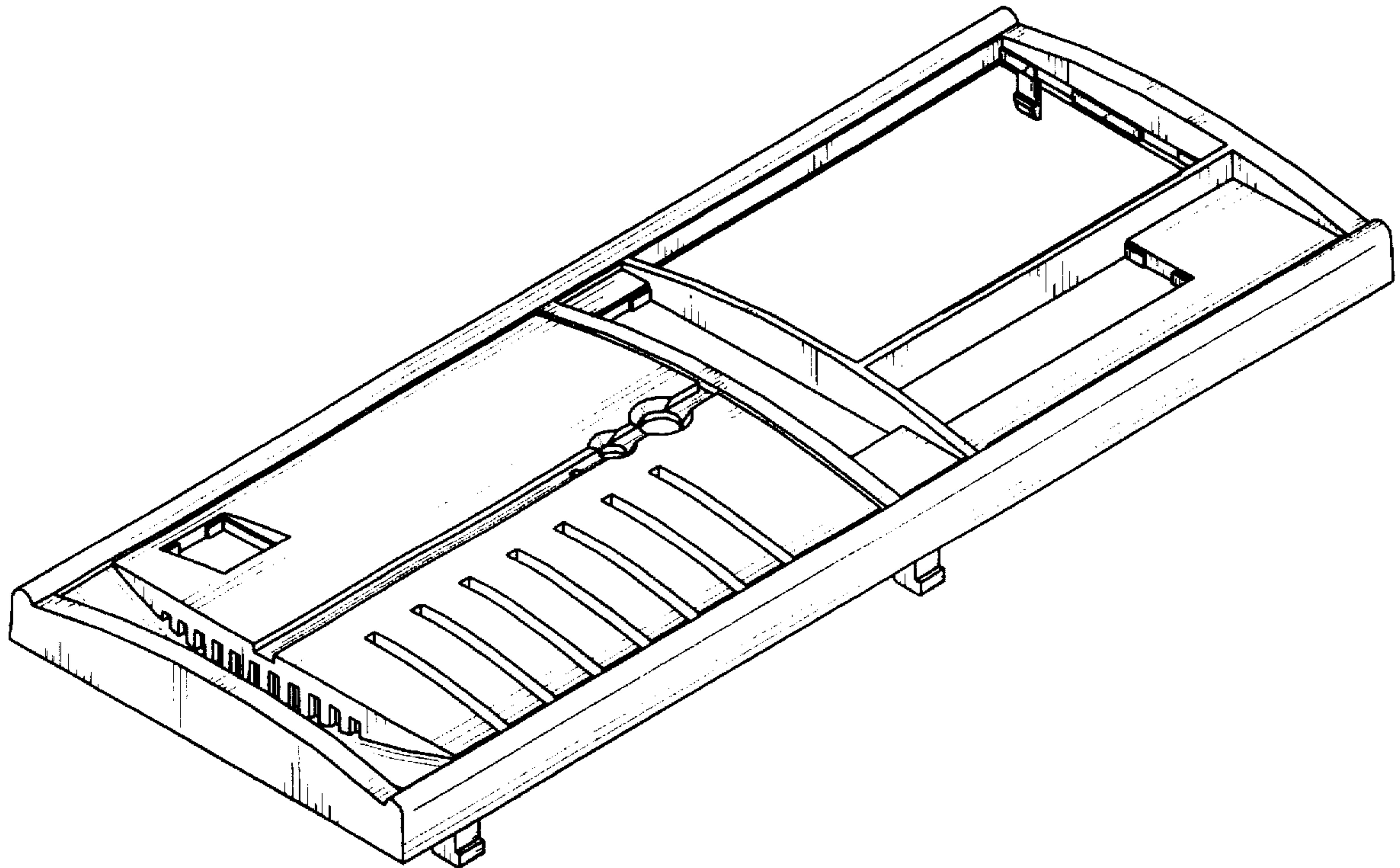
FIG. 7 is a bottom plan view thereof.

[56] **References Cited**

U.S. PATENT DOCUMENTS

D. 348,058 6/1994 McGrath et al. D14/115

1 Claim, 7 Drawing Sheets



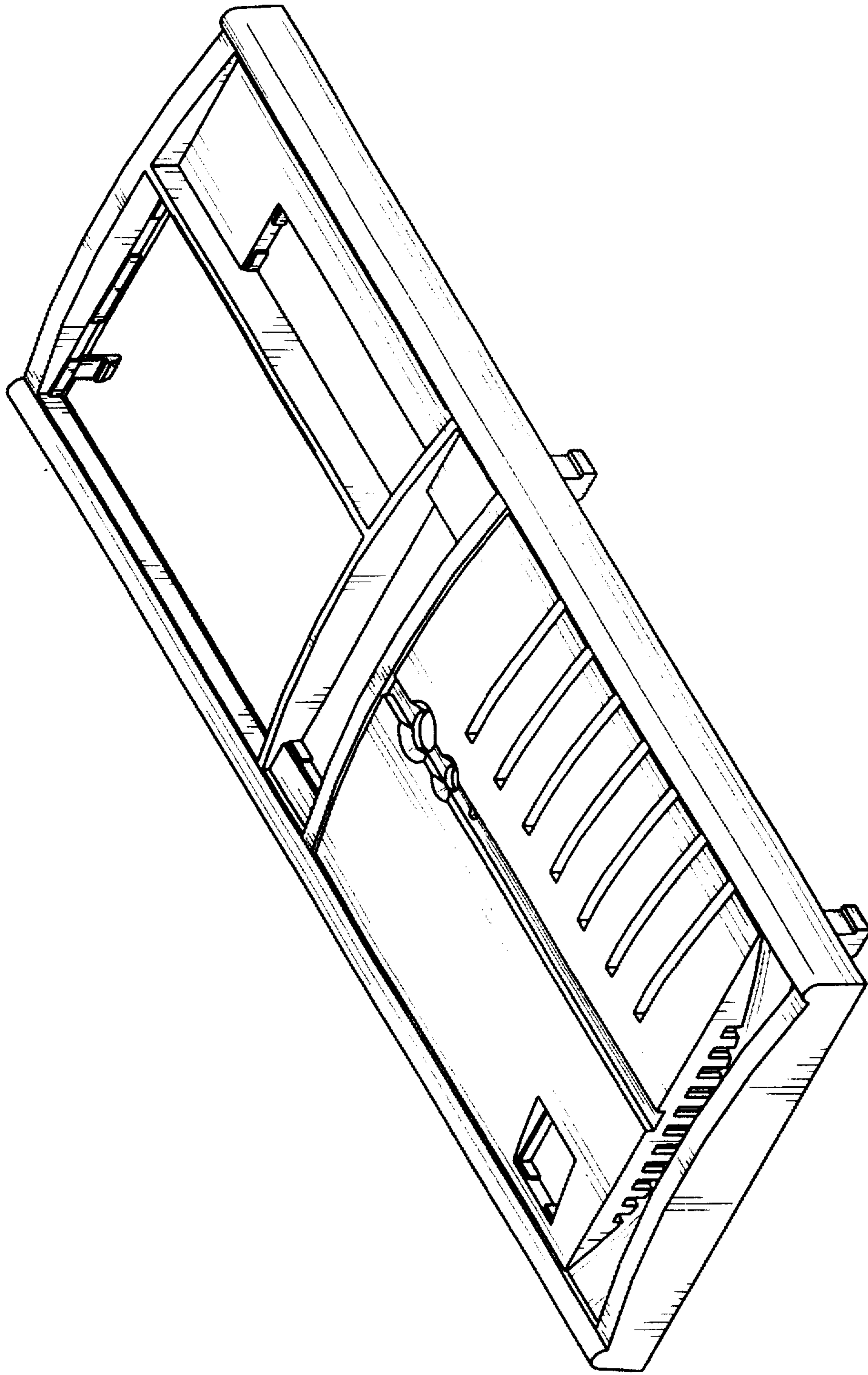


FIG.1

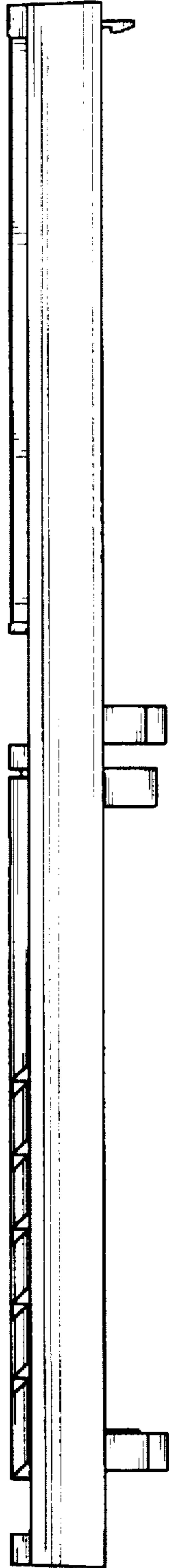


FIG.2

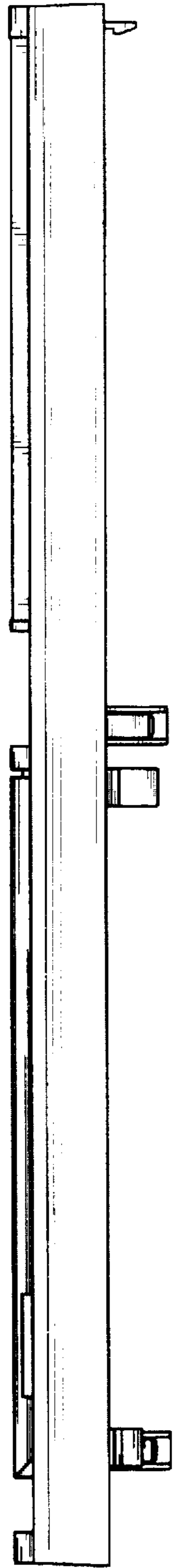


FIG. 3

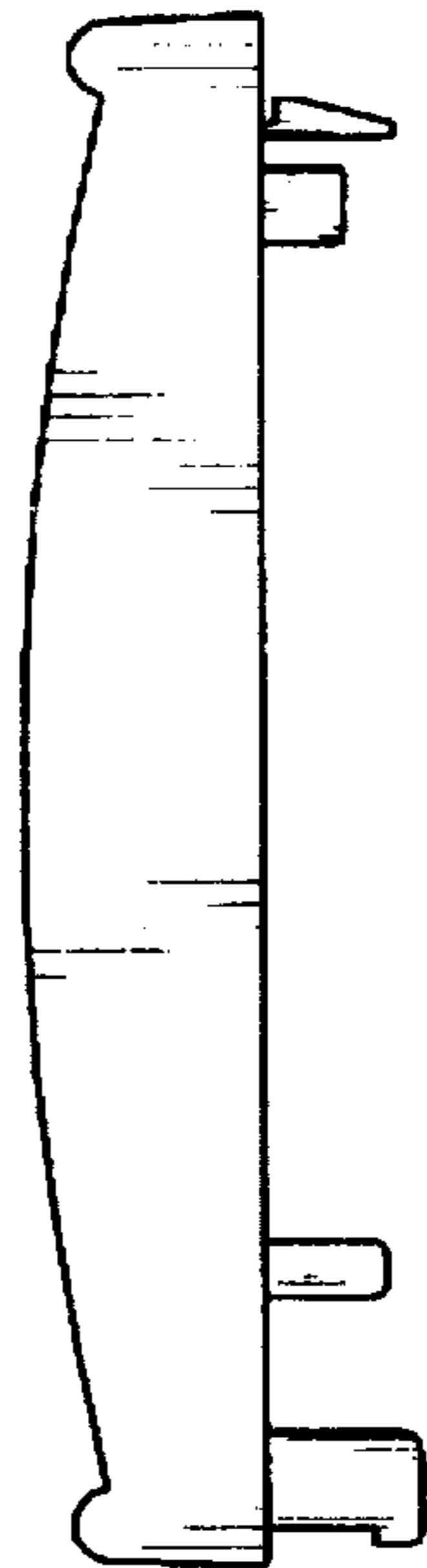


FIG.4

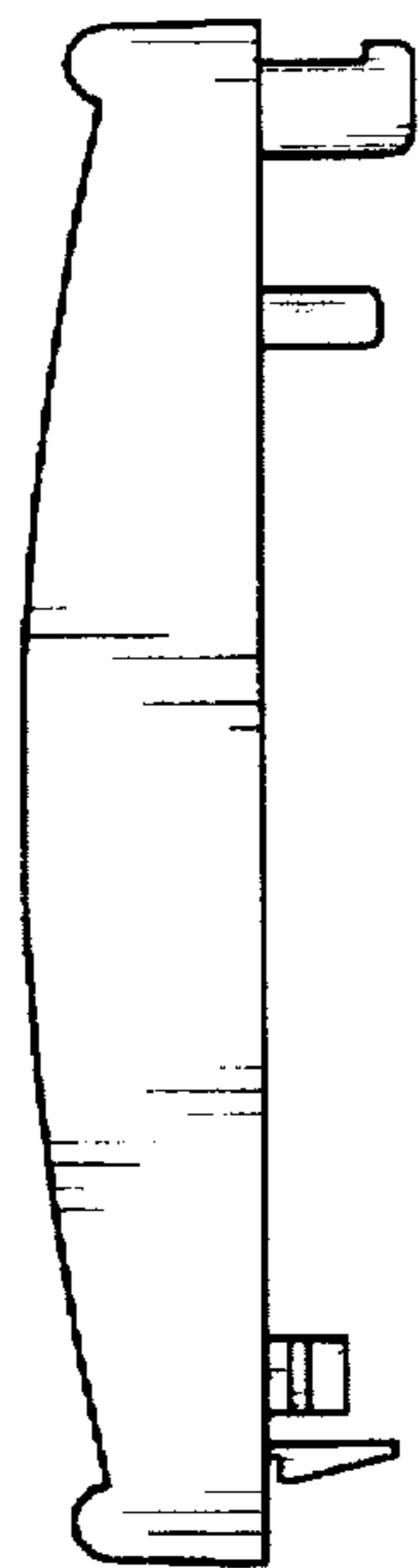


FIG. 5

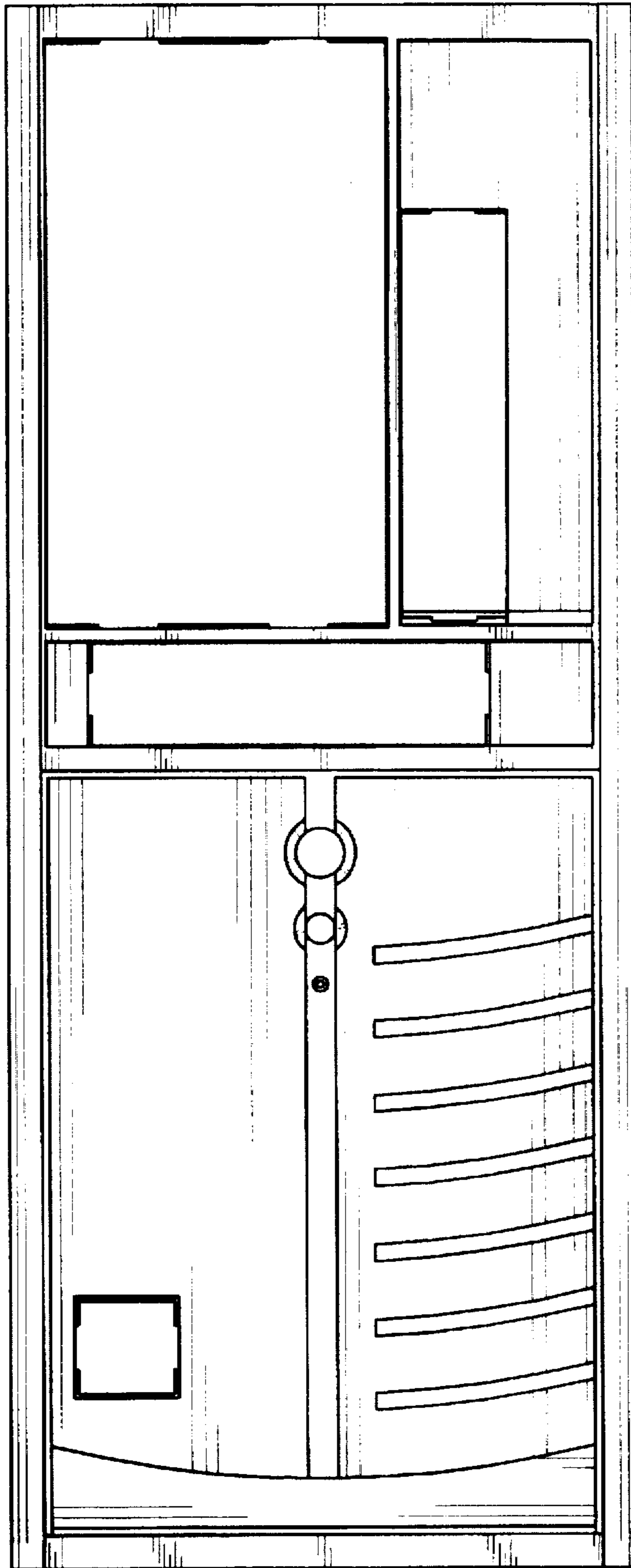


FIG.6

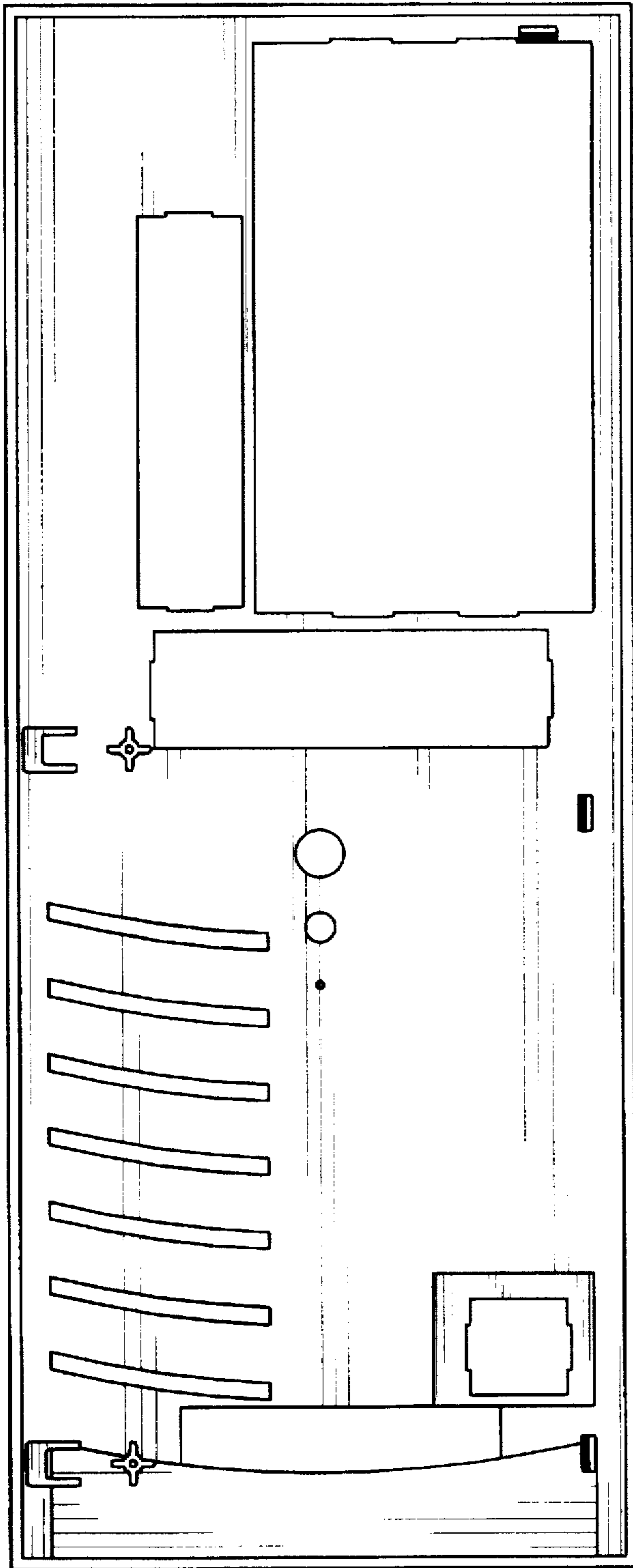


FIG. 7