

US00D396457S

United States Patent [19]

[11] Patent Number: Des. 396,457

Cappa et al.

[45] Date of Patent: ***Jul. 28, 1998

[54] DISPLAY SCREEN WITH AN ICON

[57] CLAIM

[75] Inventors: Armando M. Cappa, Reseda; Jeffrey D. Konopka, Northridge; Warren R. Heer, La Palma, all of Calif.

The ornamental design for a display screen with an icon thereon, as shown and described.

[73] Assignee: Pacesetter, Inc., Sylmar, Calif.

DESCRIPTION

[*] Notice: The portion of the term of this patent subsequent to Jun. 30, 2012, has been disclaimed.

FIG. 1 is a front perspective view of a display screen with an icon, the broken line drawing of a computer system is shown for illustration purposes only and forms no part of the claimed design;

[**] Term: 14 Years

FIG. 2 is a front view of a second embodiment thereof, the broken line drawing of a computer system is shown for illustration purposes only and forms no part of the claimed design;

[21] Appl. No.: 49,407

FIG. 3 is a front view of the first embodiment shown in FIG. 1, on an enlarged scale, the display screen is shown partially for ease of illustration;

[22] Filed: Jan. 24, 1996

[51] LOC (6) Cl. 14-02

[52] U.S. Cl. D14/114.3

[58] Field of Search D14/114, 114.1-114.9; D18/24, 27; D10/11; D19/6; 395/326, 339-40, 347-57

FIG. 4 is a front view of a third embodiment thereof, on an enlarged scale, the display screen is shown partially for ease of illustration;

FIG. 5 is a front view of a fourth embodiment thereof, on an enlarged scale, the display screen is shown partially for ease of illustration;

[56] References Cited

PUBLICATIONS

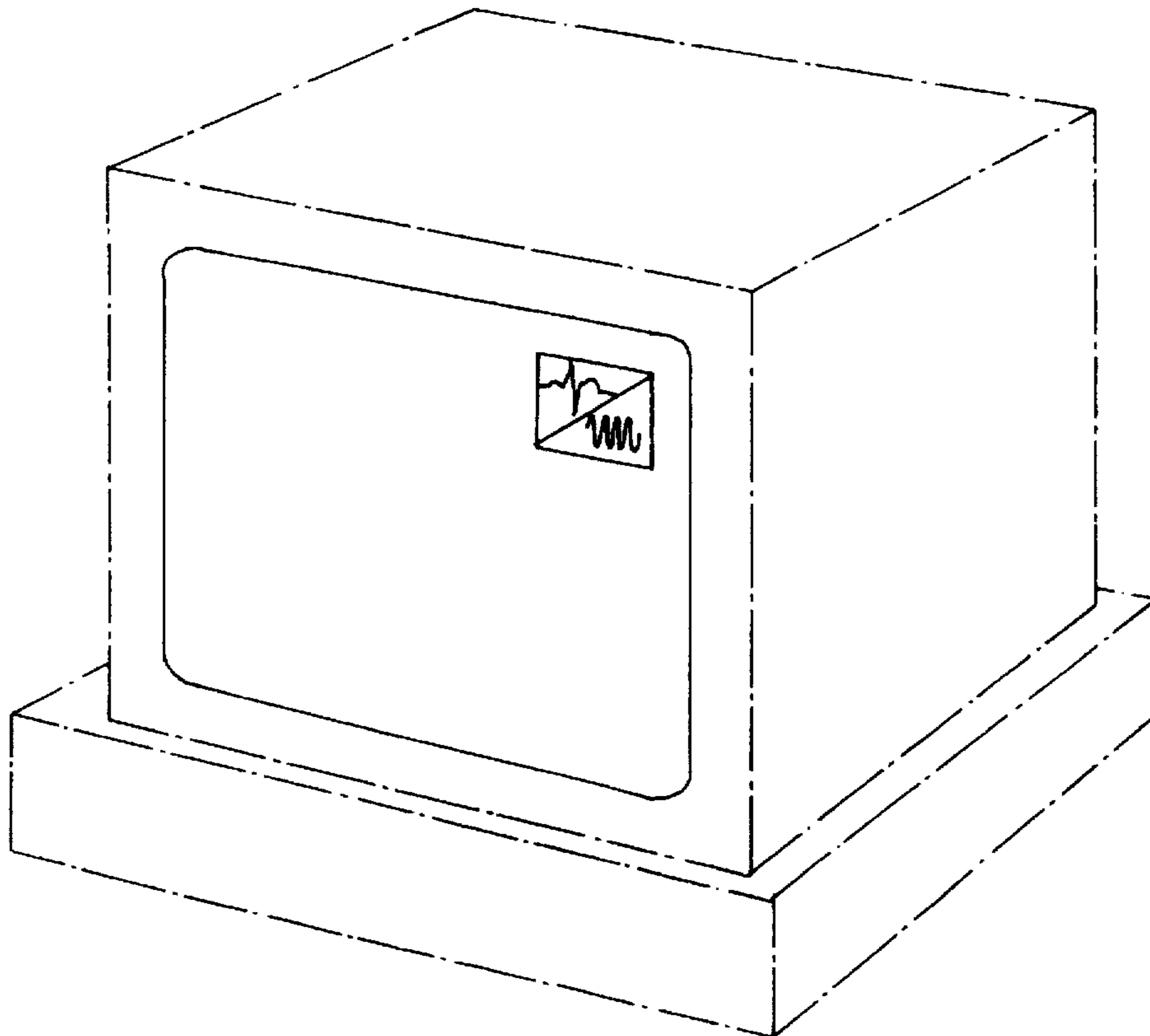
Graphical Symbols for Use on Equipment, International Standard, Commission Electrotechnique Internationale, International Electrotechnical Commission, Publication 417, First Edition, (Jun. 1973) pp. 5107-5108, 5194a, 5284a, 5302a.

FIG. 6 is a front view of a fifth embodiment thereof, on an enlarged scale, the display screen is shown partially for ease of illustration; and,

FIG. 7 is a front view of a sixth embodiment thereof, on an enlarged scale, the display screen is shown partially for ease of illustration.

Primary Examiner—M. H. Tung

1 Claim, 2 Drawing Sheets



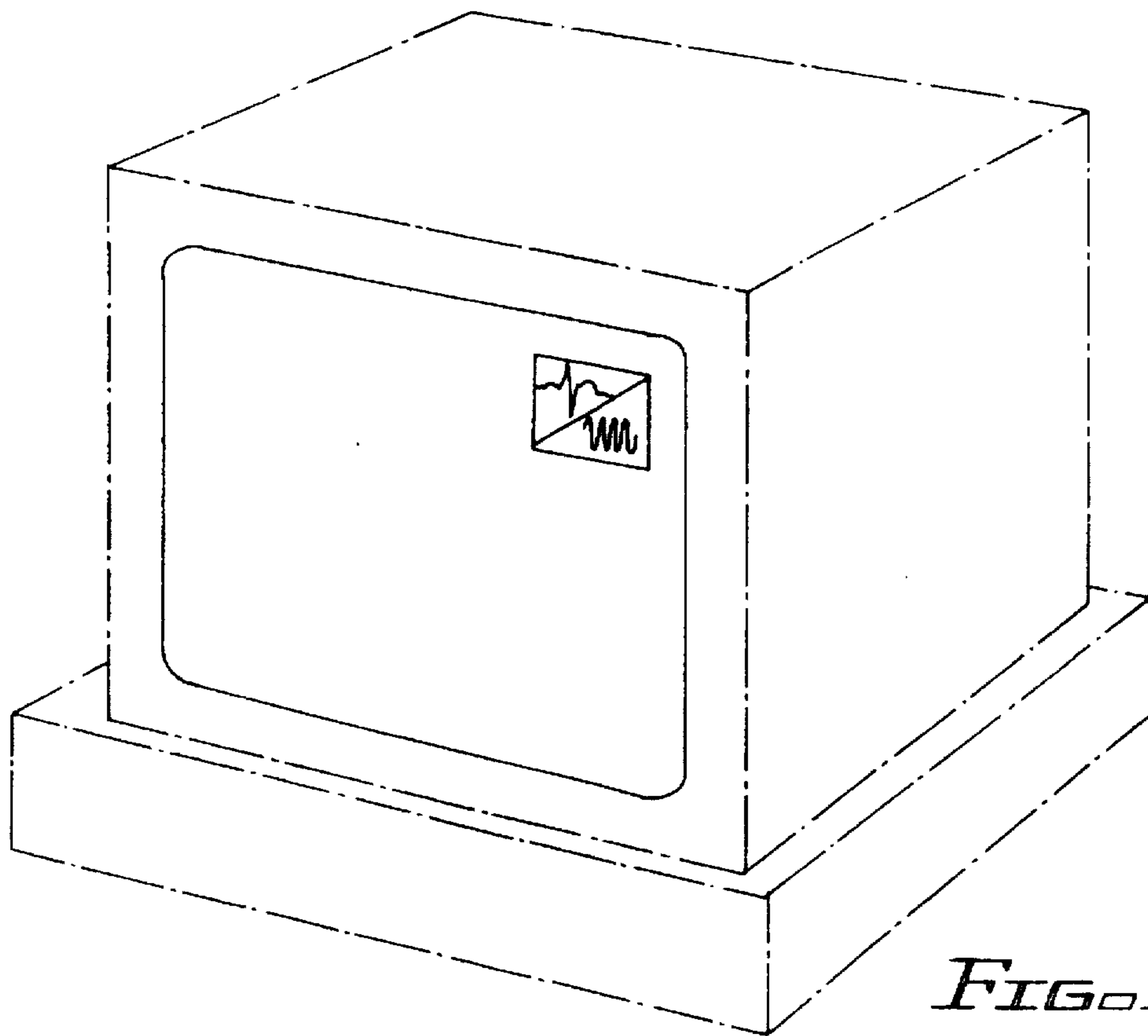


FIG. 1

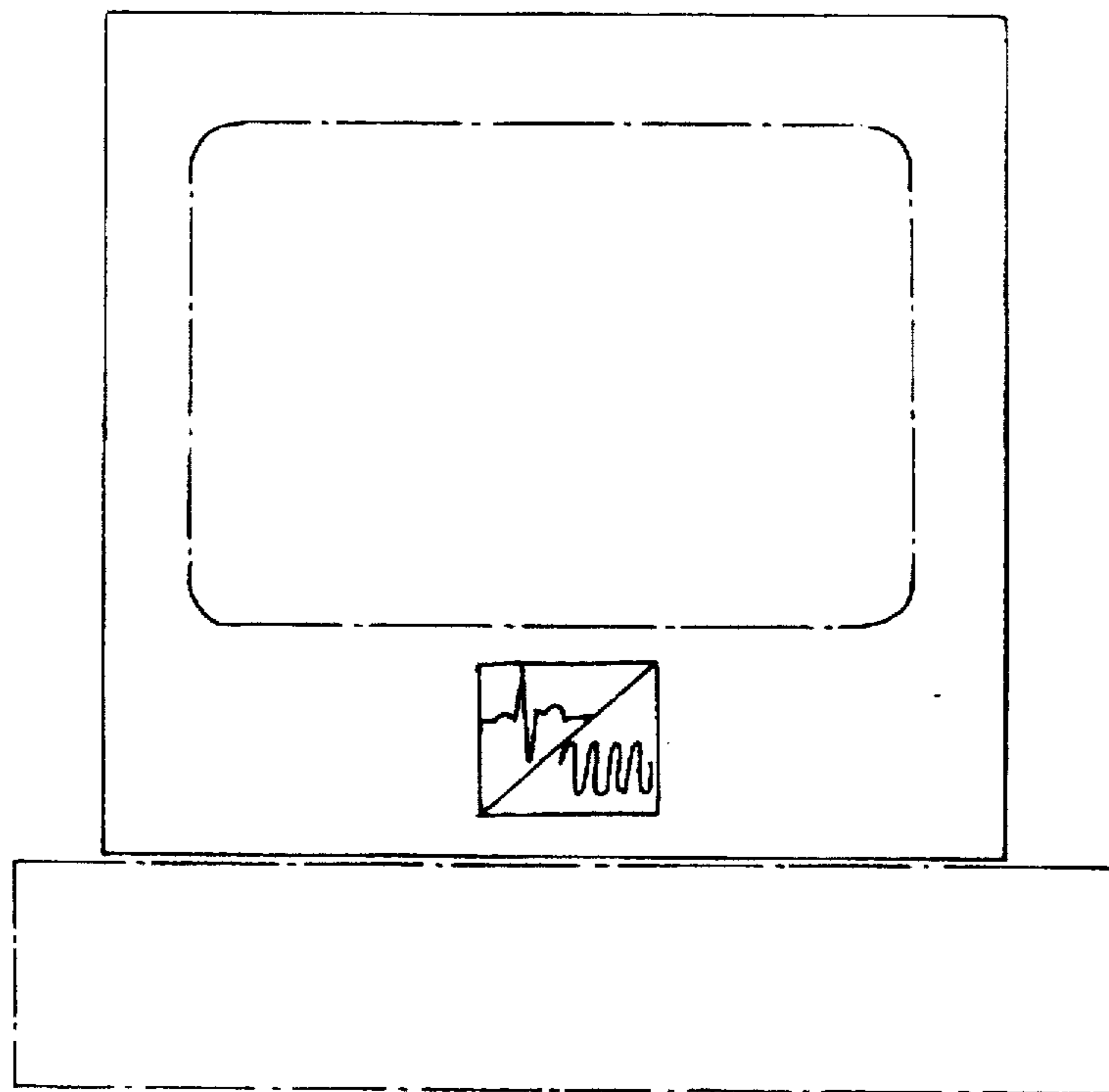


FIG. 2

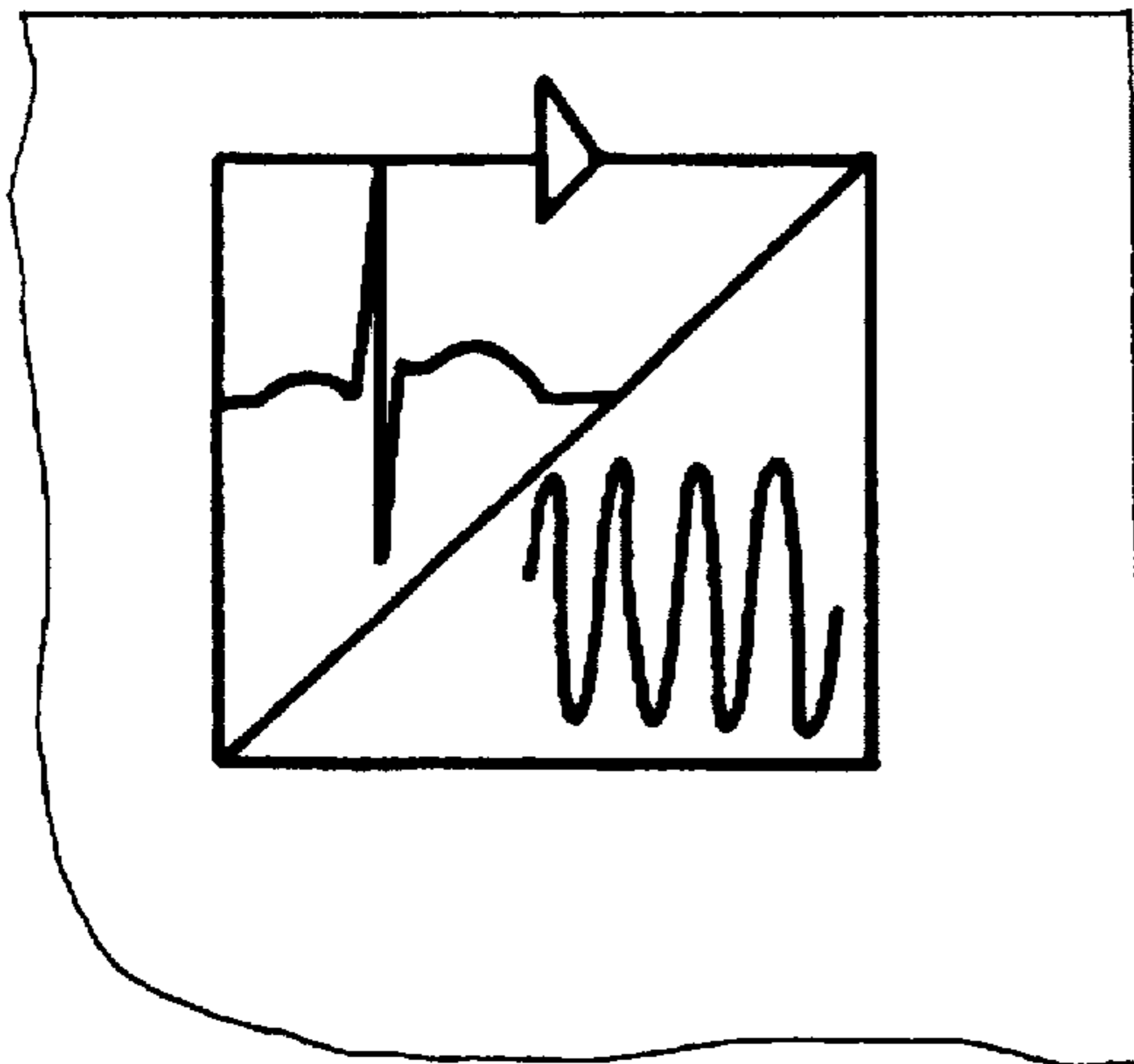


FIG. 3

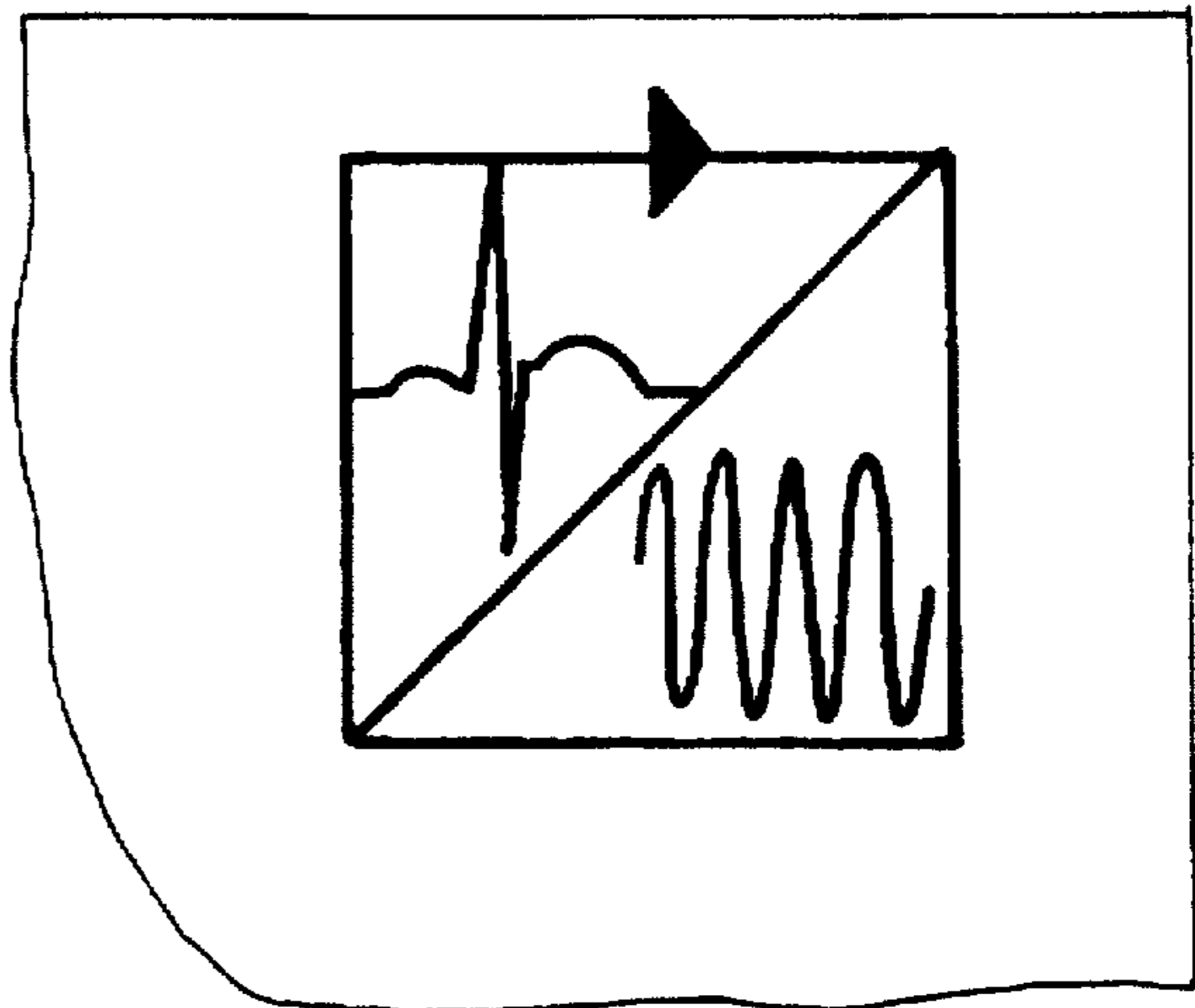


FIG. 4

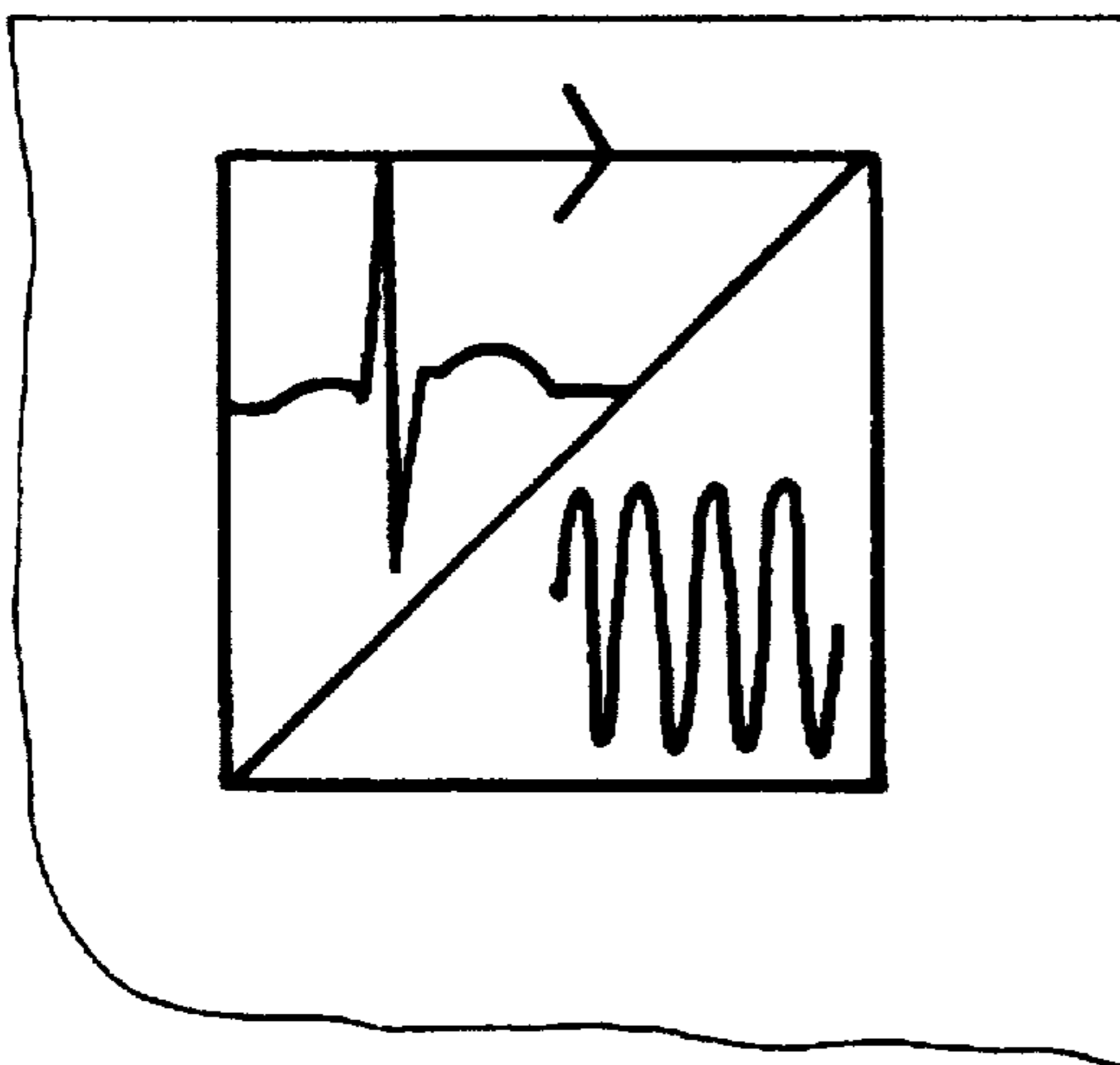


FIG. 5

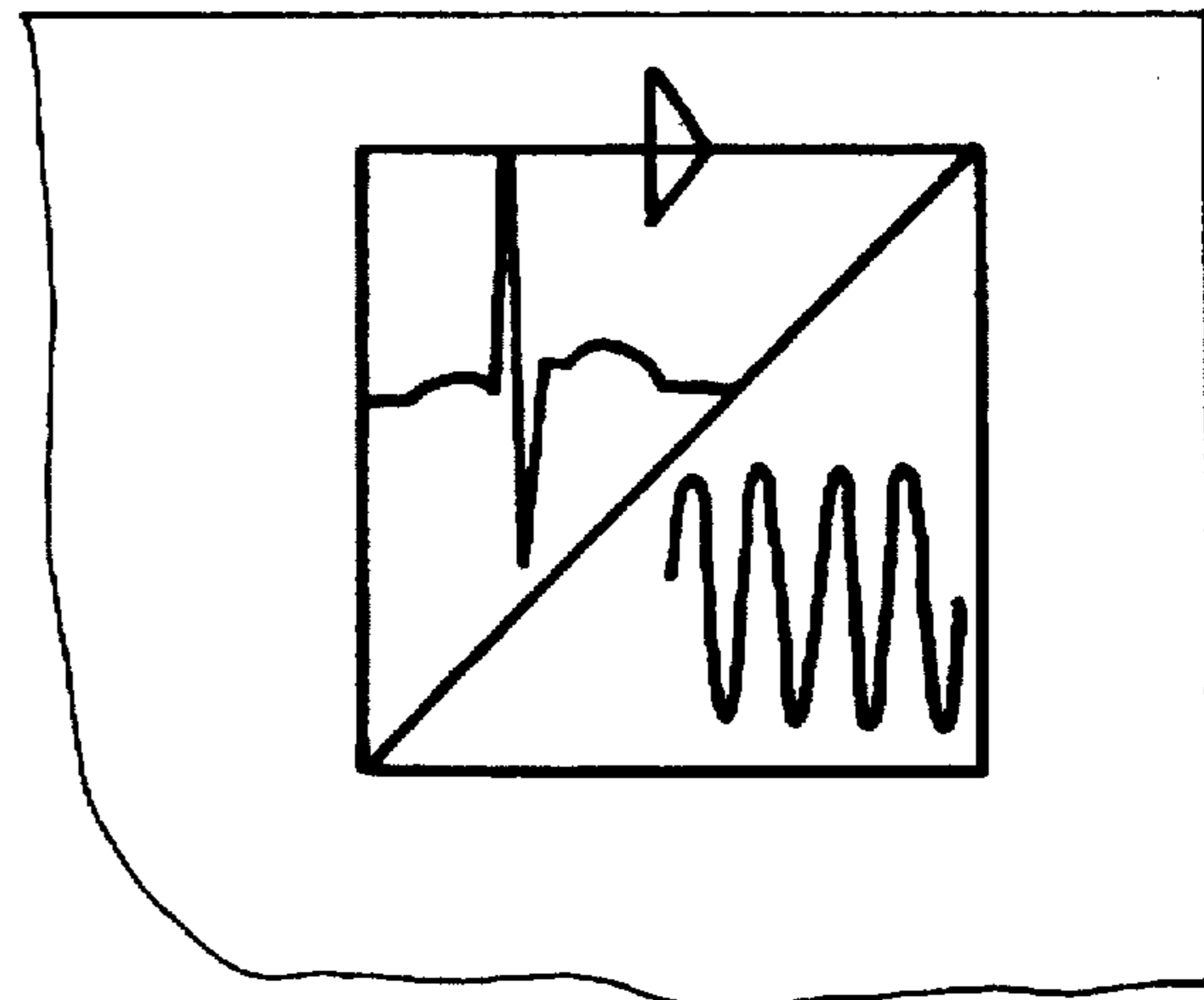


FIG. 6

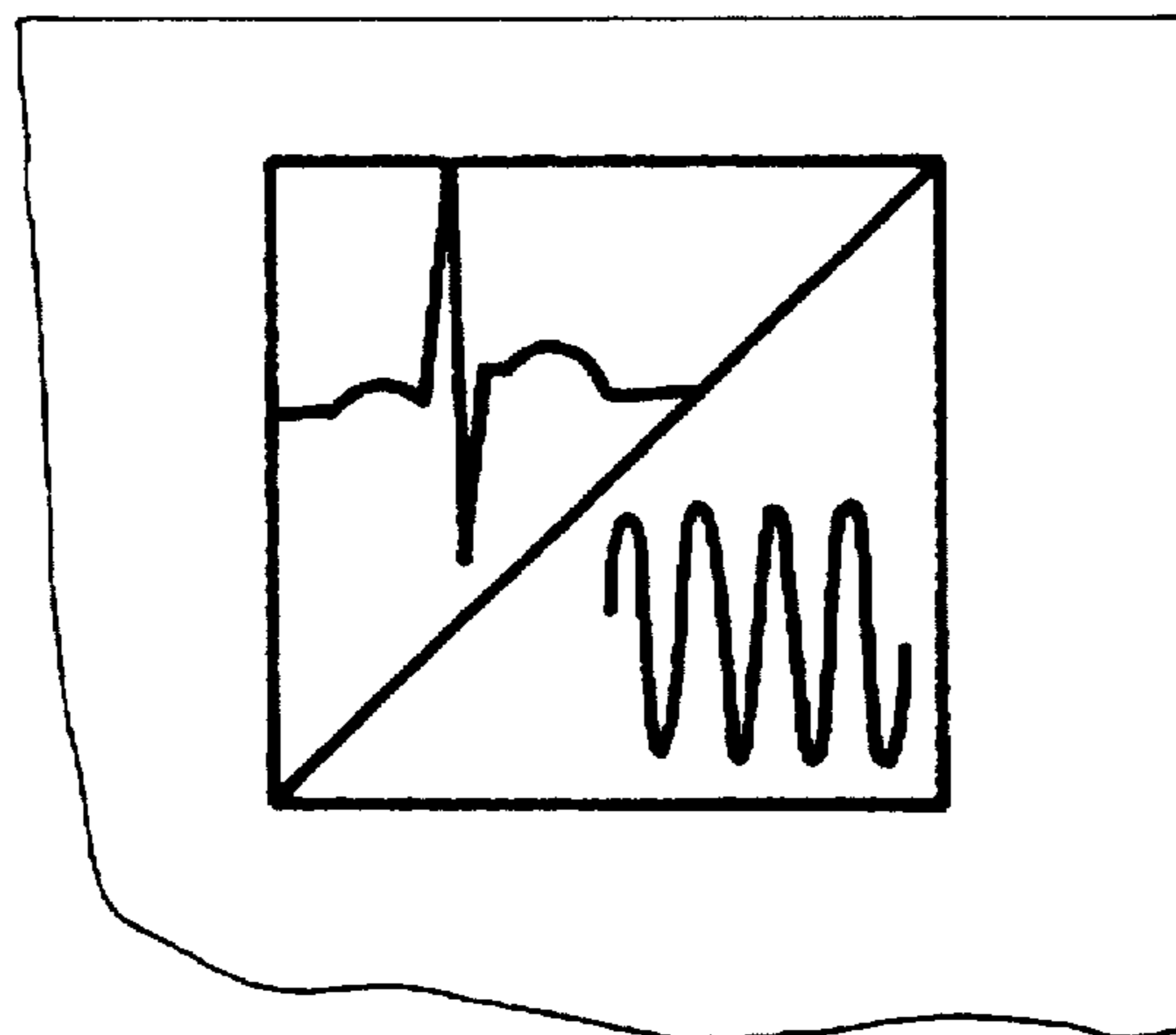


FIG. 7