

US00D396454S

# United States Patent [19]

Shima et al.

[11] Patent Number: Des. 396,454

[45] Date of Patent: \*\*Jul. 28, 1998

[54] DOCKING UNIT FOR A PORTABLE COMPUTER

[75] Inventors: Hisashi Shima, Yamato; Kazuhiko Yamazaki, Hiratsuka, both of Japan

[73] Assignee: International Business Machines Corp., Armonk, N.Y.

[\*\*] Term: 14 Years

[21] Appl. No.: 58,406

[22] Filed: Aug. 14, 1996

[51] LOC (6) Cl. .... 14-02

[52] U.S. Cl. .... D14/114

[58] Field of Search ..... D14/100, 107, D14/114; 361/680-686; 248/923; 364/708.1; 439/95, 284, 357, 372

## [56] References Cited

### U.S. PATENT DOCUMENTS

|            |         |                     |         |
|------------|---------|---------------------|---------|
| D. 362,241 | 9/1995  | Youens et al. ....  | D14/107 |
| D. 363,276 | 10/1995 | Lucente et al. .... | D14/107 |
| D. 364,151 | 11/1995 | Yamazaki ....       | D14/107 |
| 5,555,491  | 9/1996  | Tao ....            | 361/686 |

Primary Examiner—Kay H. Chin  
Attorney, Agent, or Firm—Daniel E. McConnell; George E. Grosser

## [57] CLAIM

The ornamental design for a docking unit for a portable computer, as shown.

## DESCRIPTION

FIG. 1 is a perspective view from above and the right of the docking unit for a portable computer of our invention; FIG. 2 is a view similar to FIG. 1, including a phantom line representation of a portable computer system in order to clarify the cooperation of the docking unit and a portable computer (The broken lines shown in FIG. 2 are for illustrative purposes only and form no part of the claimed design);

FIG. 3 is a plan view from above of the docking unit of FIG. 1;

FIG. 4 is a front elevation view of the docking unit of FIGS. 1 and 3;

FIG. 5 is a rear elevation view of the docking unit of FIGS. 1, 3 and 4;

FIG. 6 is a plan view from below of the docking unit of FIGS. 1, 3, 4 and 5;

FIG. 7 is a side elevation view from the right of the docking unit of FIGS. 1, 3, 4, 5 and 6; and,

FIG. 8 is a side elevation view from the left of the docking unit of FIGS. 1, 3, 4, 5, 6 and 7.

1 Claim, 5 Drawing Sheets

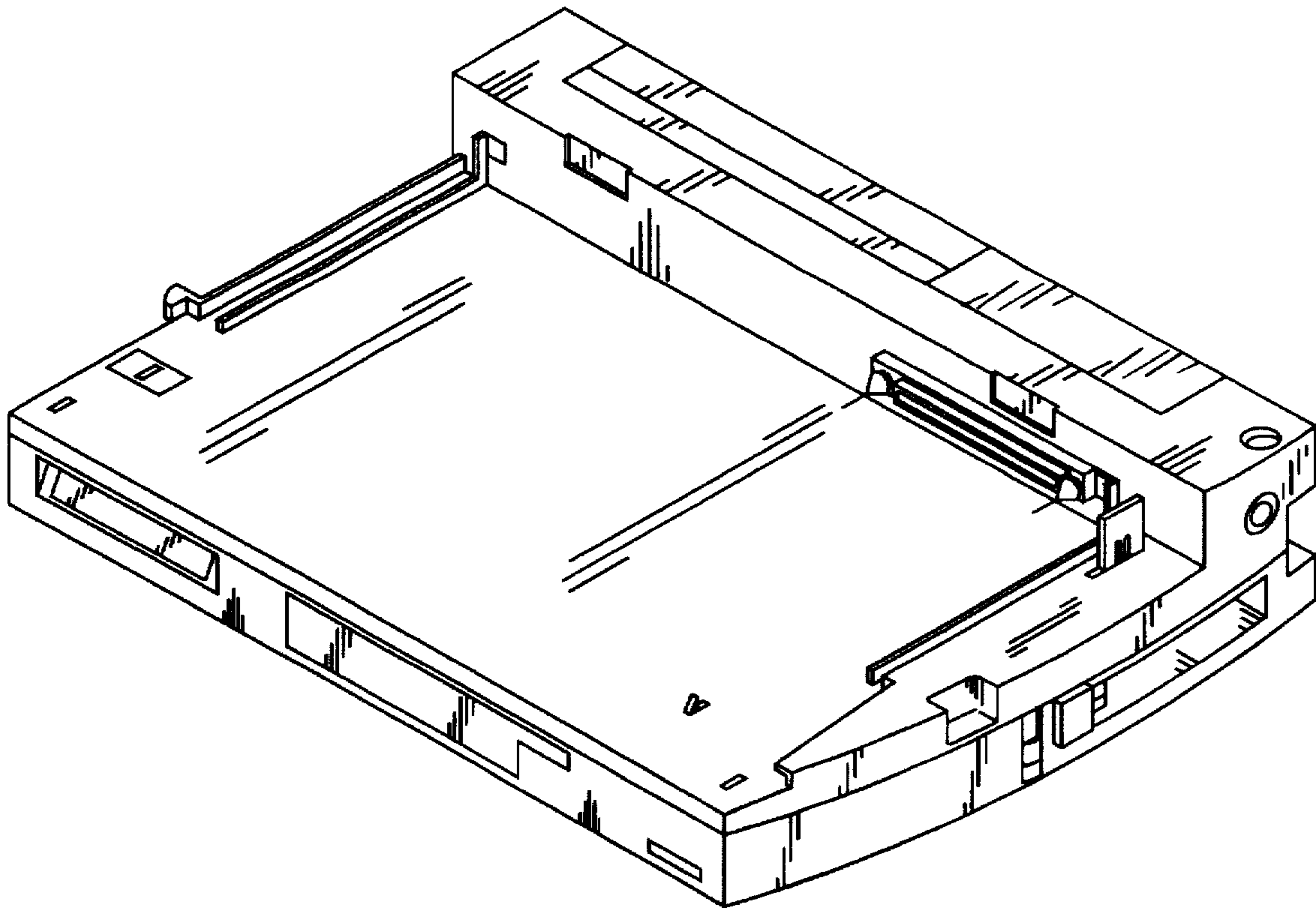


FIG. 1

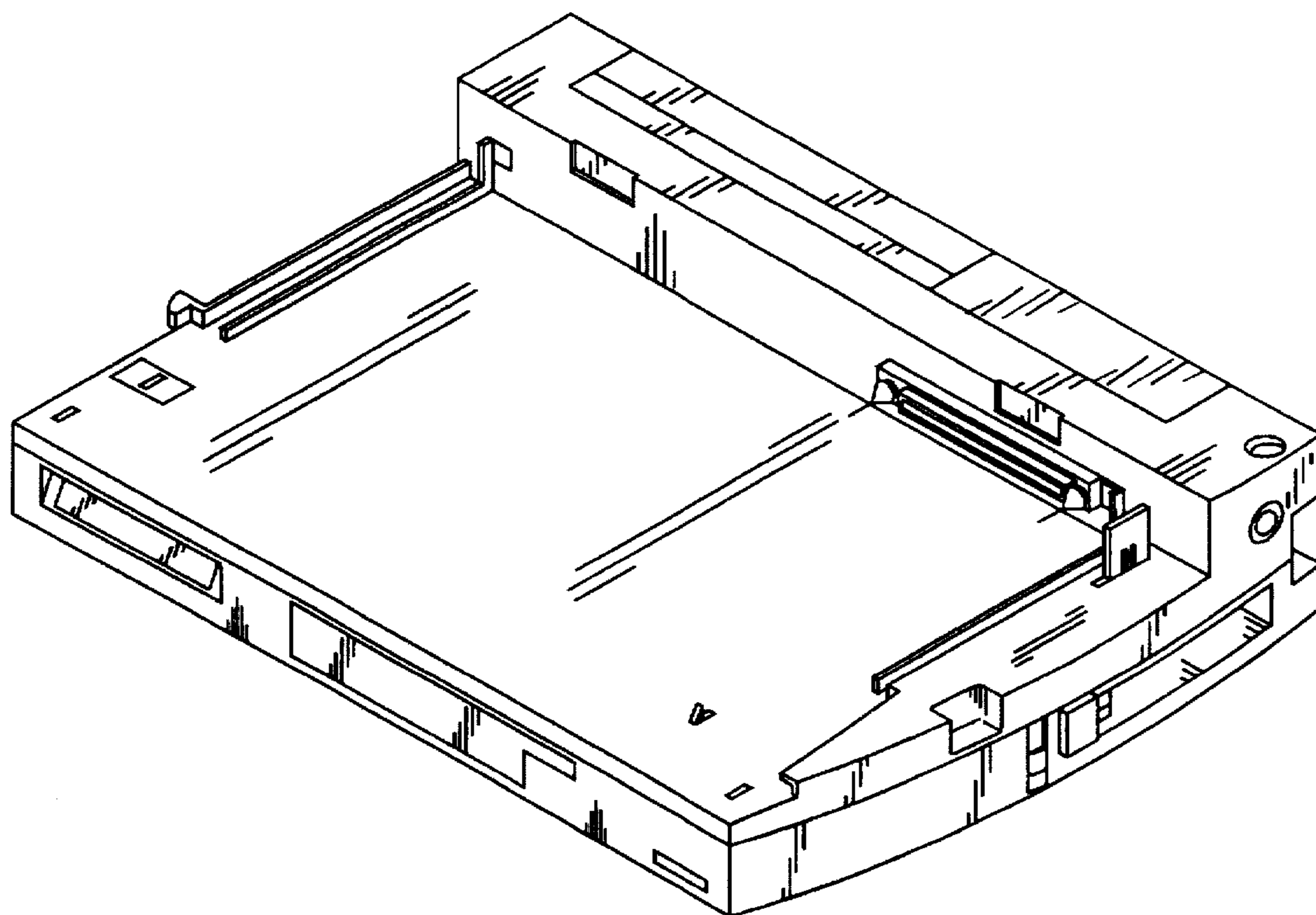


FIG. 2

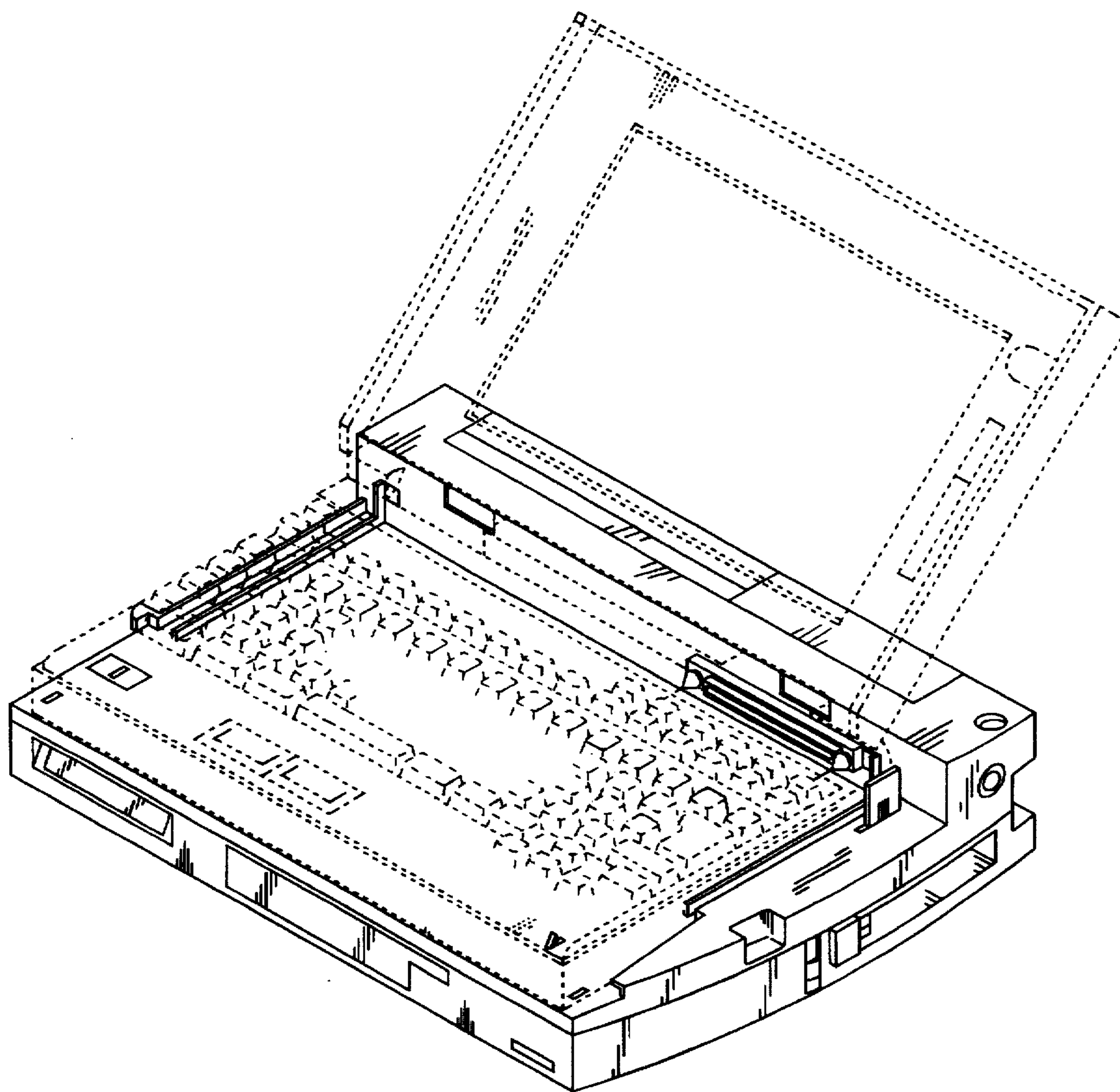


FIG. 3

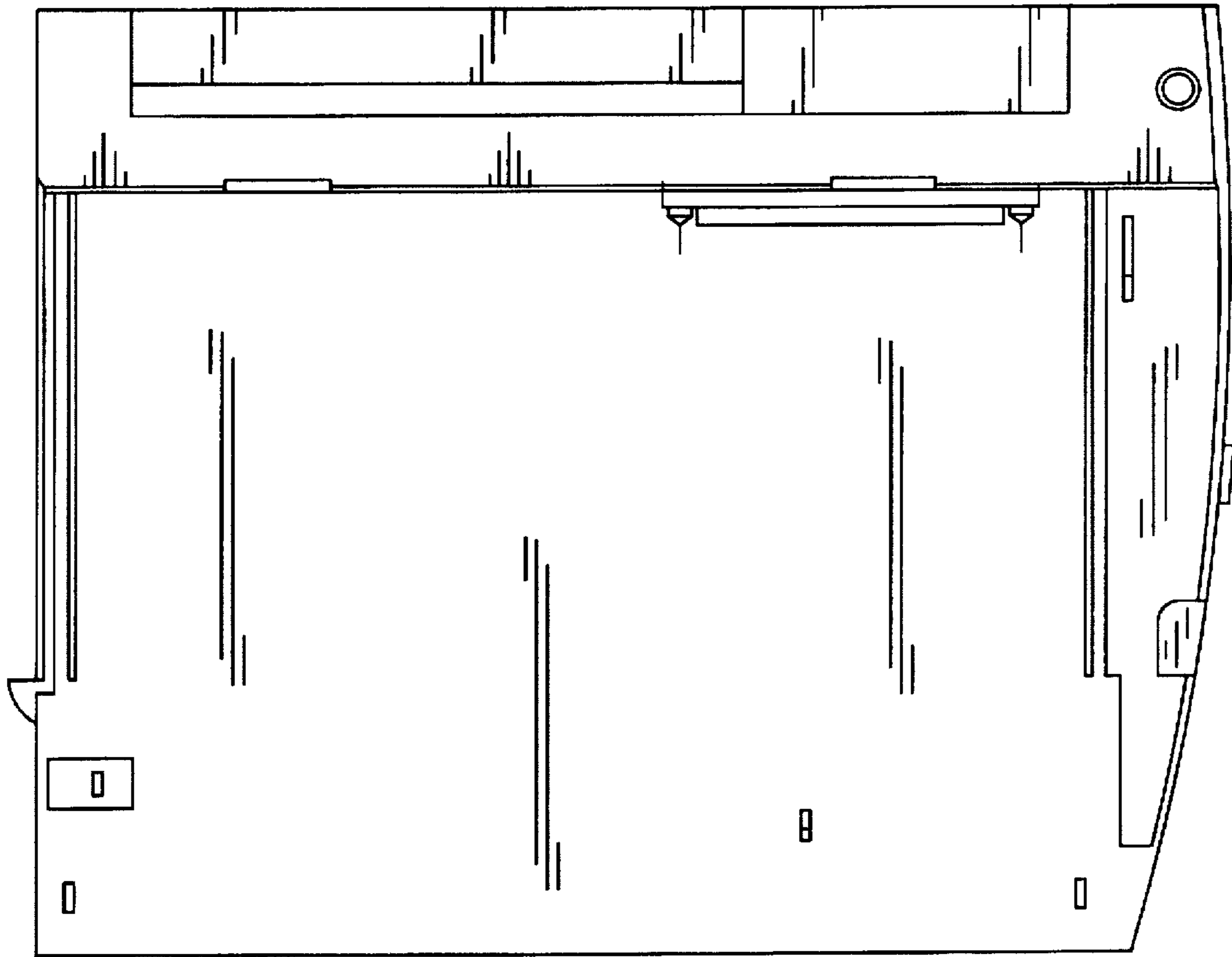


FIG. 4

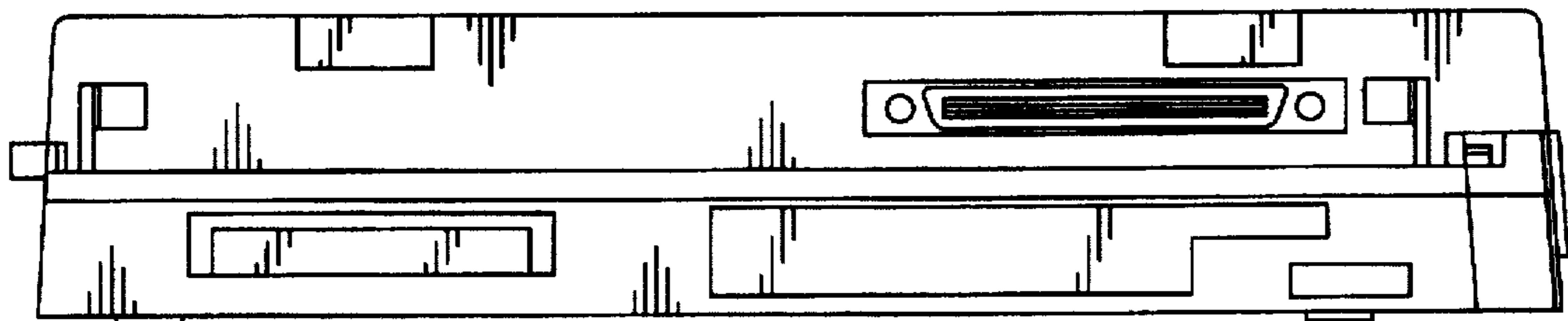


FIG. 5

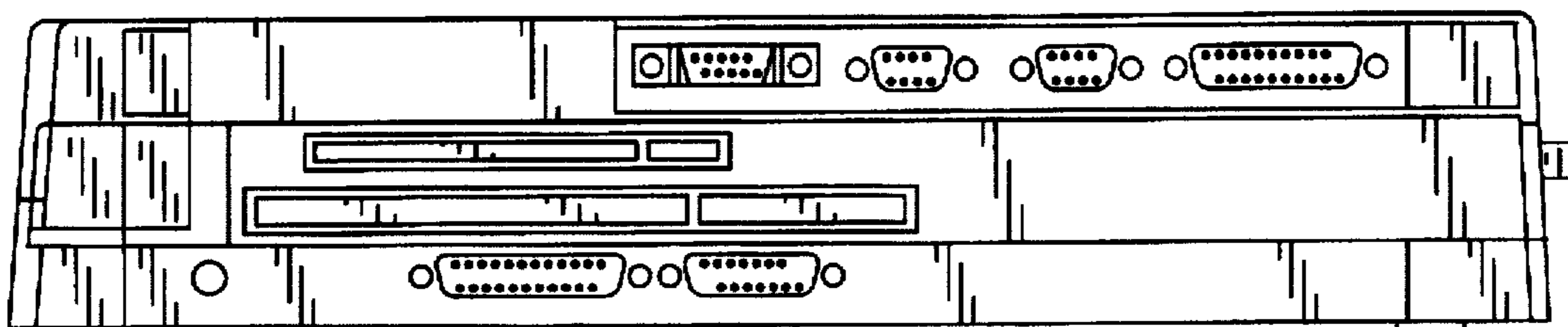


FIG. 6

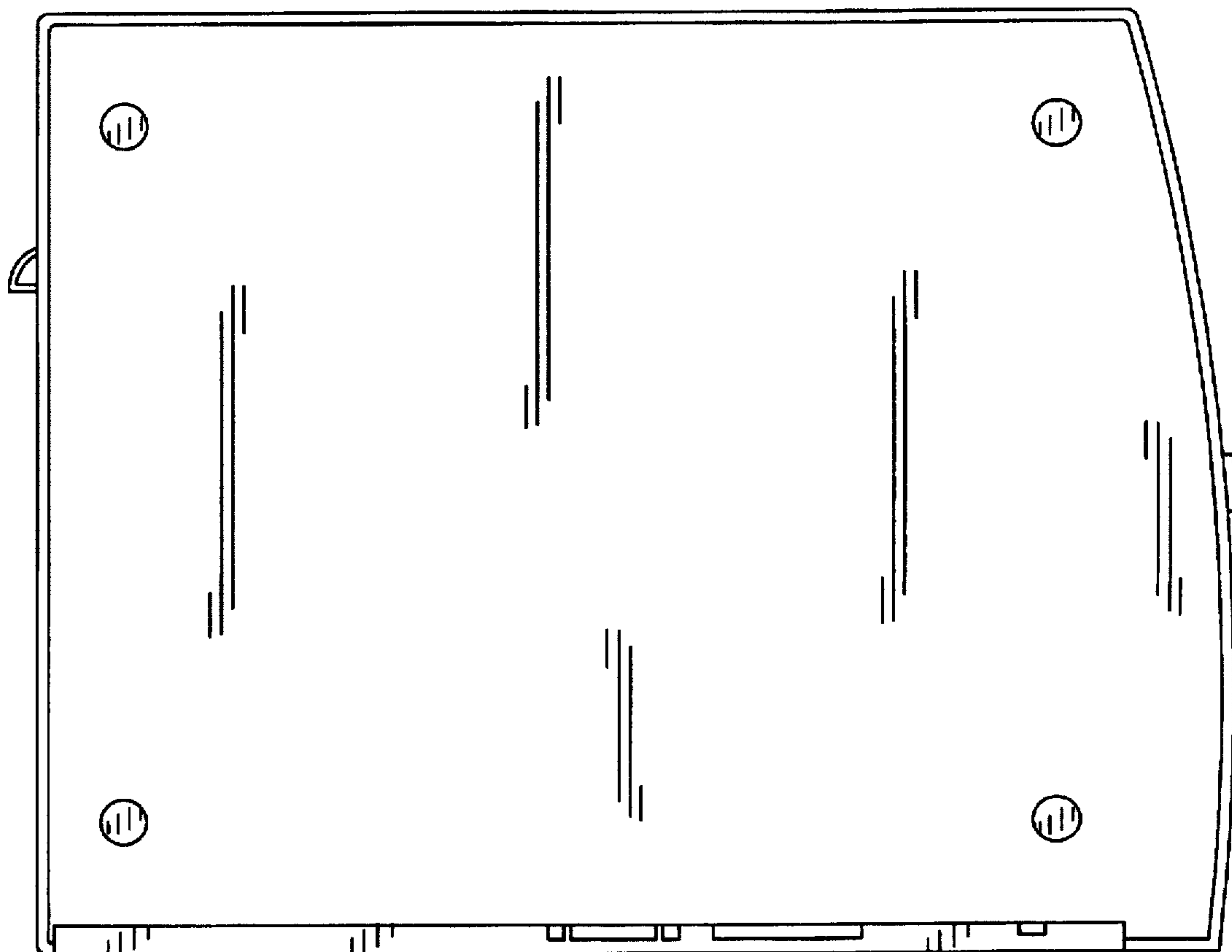


FIG. 7

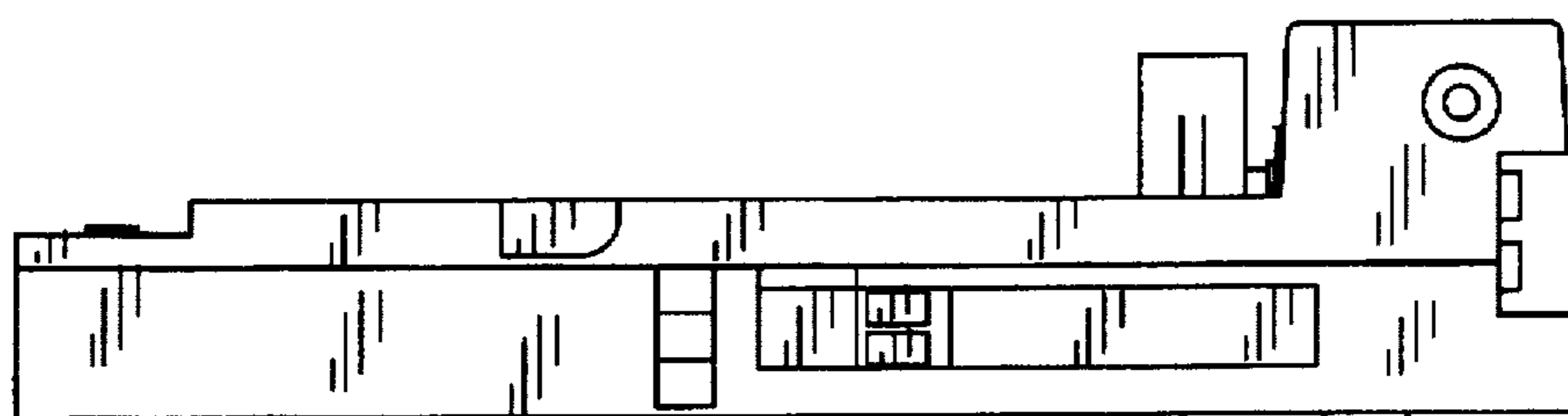


FIG. 8

