



US00D396452S

United States Patent [19]

Naruki

[11] Patent Number: Des. 396,452

[45] Date of Patent: **Jul. 28, 1998

[54] **PORTABLE CHARACTER AND IMAGE PROCESSING APPARATUS**

[75] Inventor: Masatomo Naruki, Kanagawa-ken, Japan

[73] Assignee: Kabushiki Kaisha Toshiba, Kawasaki, Japan

[**] Term: 14 Years

[21] Appl. No.: 75,721

[22] Filed: Jul. 29, 1997

Related U.S. Application Data

[63] Continuation of Ser. No. 63,554, Dec. 10, 1996, abandoned.

[30] Foreign Application Priority Data

Jul. 11, 1996 [JP] Japan 8-20493

[51] LOC (6) Cl. 14-02

[52] U.S. Cl. D14/107

[58] Field of Search D14/100, 106, D14/107, 114, 115; D18/1, 2, 7; 178/18, 19; 235/145 A, 145 R; 341/22, 23; 345/156, 168, 169, 172, 173, 87; 364/708.1

[56] References Cited

U.S. PATENT DOCUMENTS

- D. 270,061 8/1983 Ackeret D16/11
- D. 270,062 8/1983 Ackeret D16/11
- D. 270,063 8/1983 Ackeret D16/11
- D. 289,873 5/1987 Gemmell et al. D14/113
- D. 315,549 3/1991 Clough et al. D14/100
- D. 317,151 5/1991 Daly D14/100
- D. 319,433 8/1991 Pearce D14/100
- D. 322,246 12/1991 Izaki D14/100
- D. 324,673 3/1992 Iino D14/106
- D. 332,776 1/1993 Kelly et al. D14/100

- D. 337,569 7/1993 Kando D14/100
- D. 340,701 10/1993 Takeuchi D14/100
- D. 341,823 11/1993 Sakai D14/100
- D. 345,346 3/1994 Alfonso et al. D14/100
- D. 346,366 4/1994 Kim et al. D14/100
- D. 346,793 5/1994 Iino et al. D14/100
- D. 362,662 9/1995 Baudot D14/100
- D. 373,118 8/1996 Naruki D14/100

OTHER PUBLICATIONS

- Sharp PA-Z500 Aug. 16, 1995.
- NEC DB-P1 Jun. 29, 1994.
- News Release, (PA-Z500), Sharp Kabushiki Kaisha, Aug. 16, 1995.
- Catalog, (DB-P1), Nippon Electric Company, Ltd. (NEC), Jun. 29, 1994.
- Palmtop.
- XTEND, May 20, 1993 (obtained by applicant).
- Palmtop, publication date unknown.
- XTEND PN10, publication date unknown.

Primary Examiner—Freda Nunn
Attorney, Agent, or Firm—Banner & Witcoff, Ltd.

[57] CLAIM

The ornamental design for a portable character and image processing apparatus, as shown and described.

DESCRIPTION

FIG. 1 is a top, front and right side perspective view of a portable character and image processing apparatus showing my new design;
 FIG. 2 is a front elevational view thereof;
 FIG. 3 is a rear elevational view thereof;
 FIG. 4 is a top plan view thereof;
 FIG. 5 is a bottom plan view thereof;
 FIG. 6 is a left side elevational view thereof; and
 FIG. 7 is a right side elevational view thereof.

1 Claim, 3 Drawing Sheets

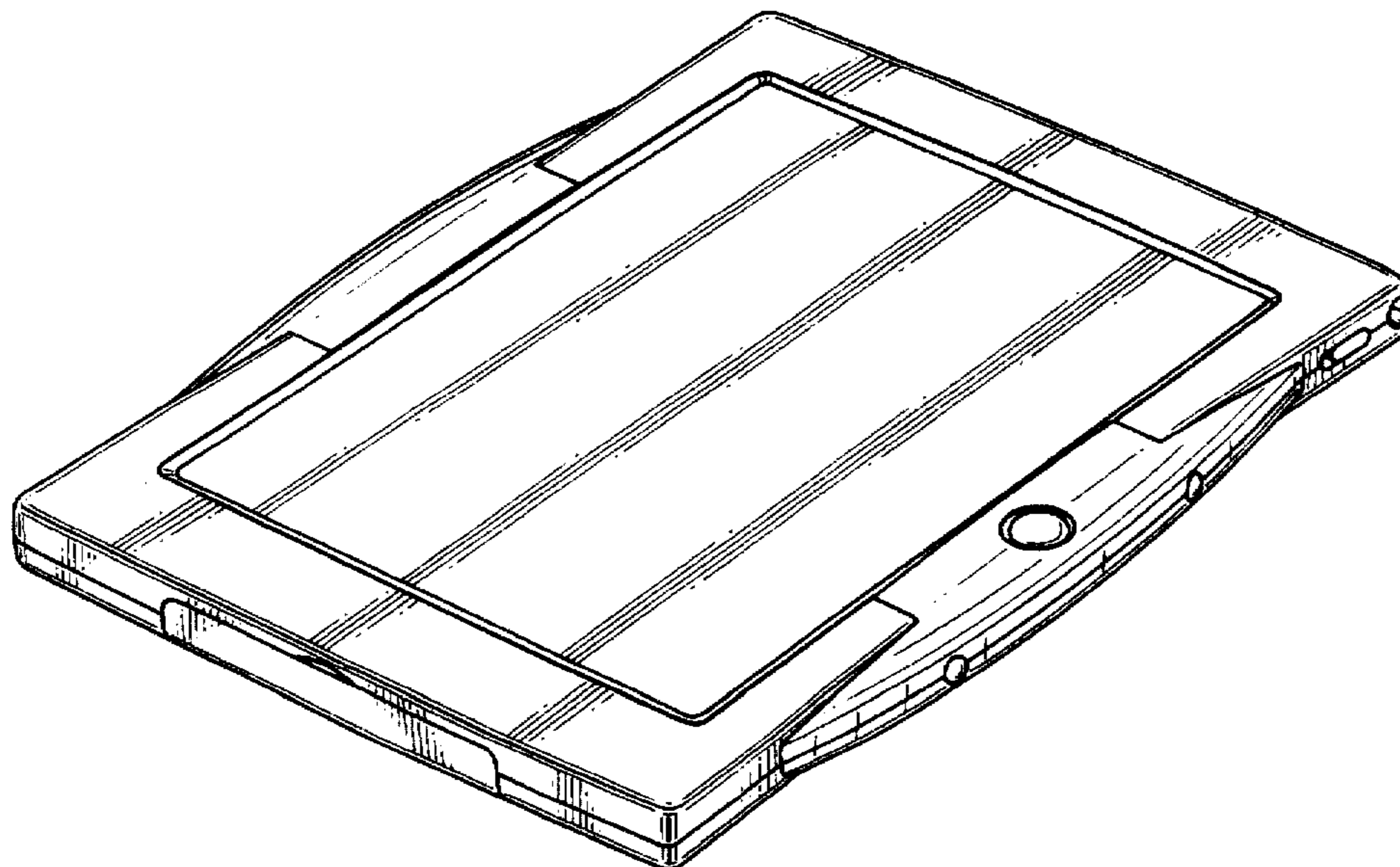


FIG. 1

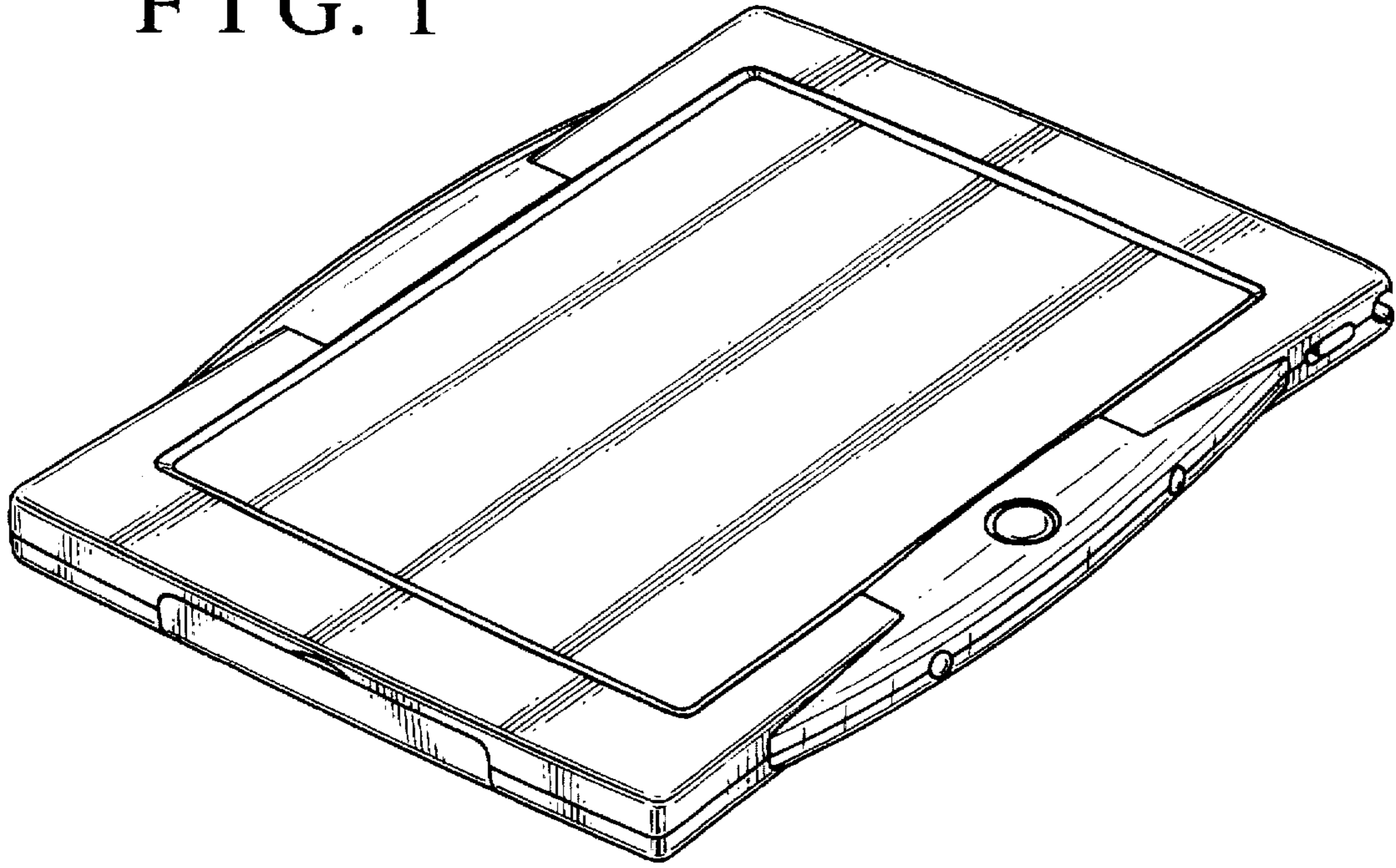


FIG. 2

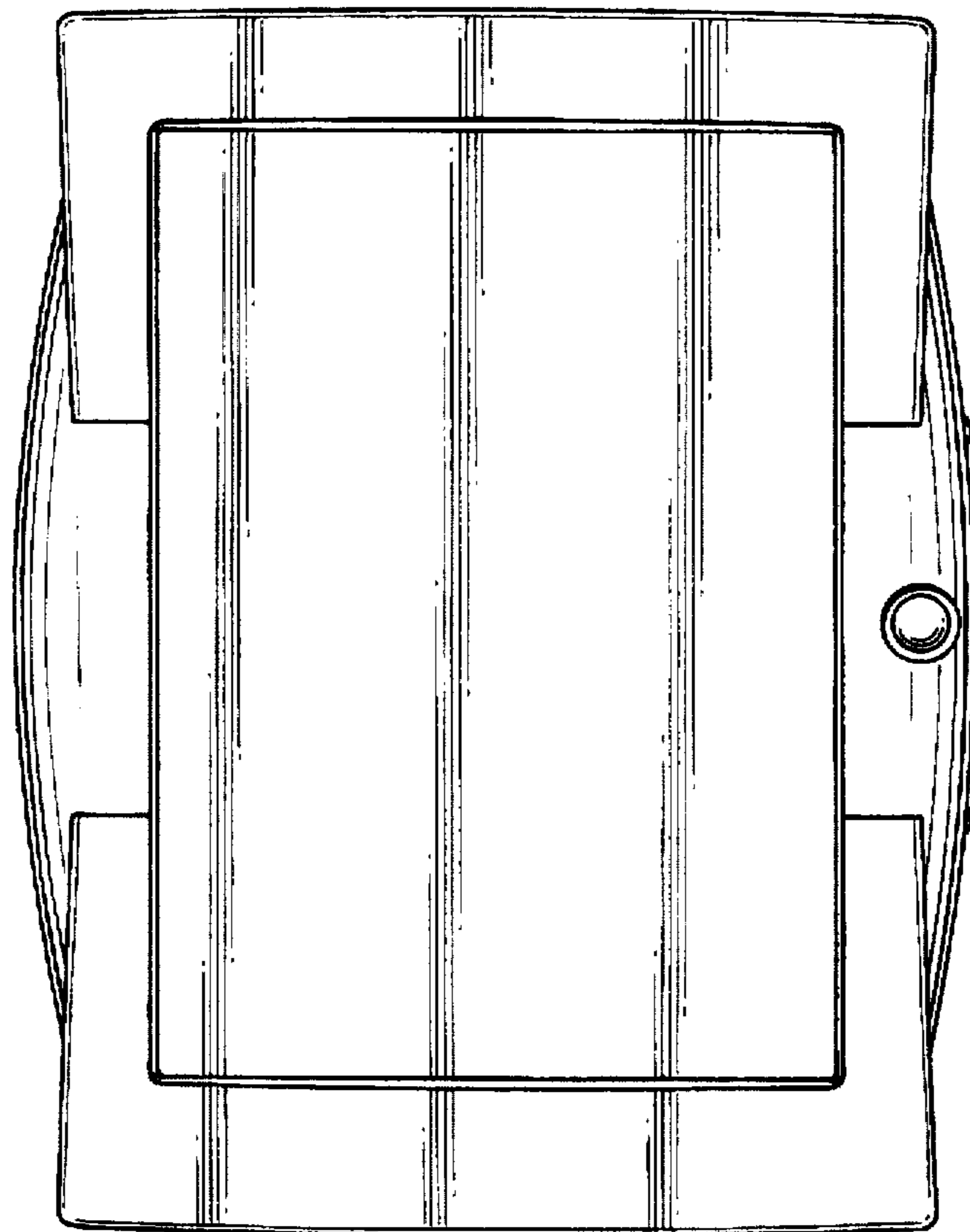


FIG. 3

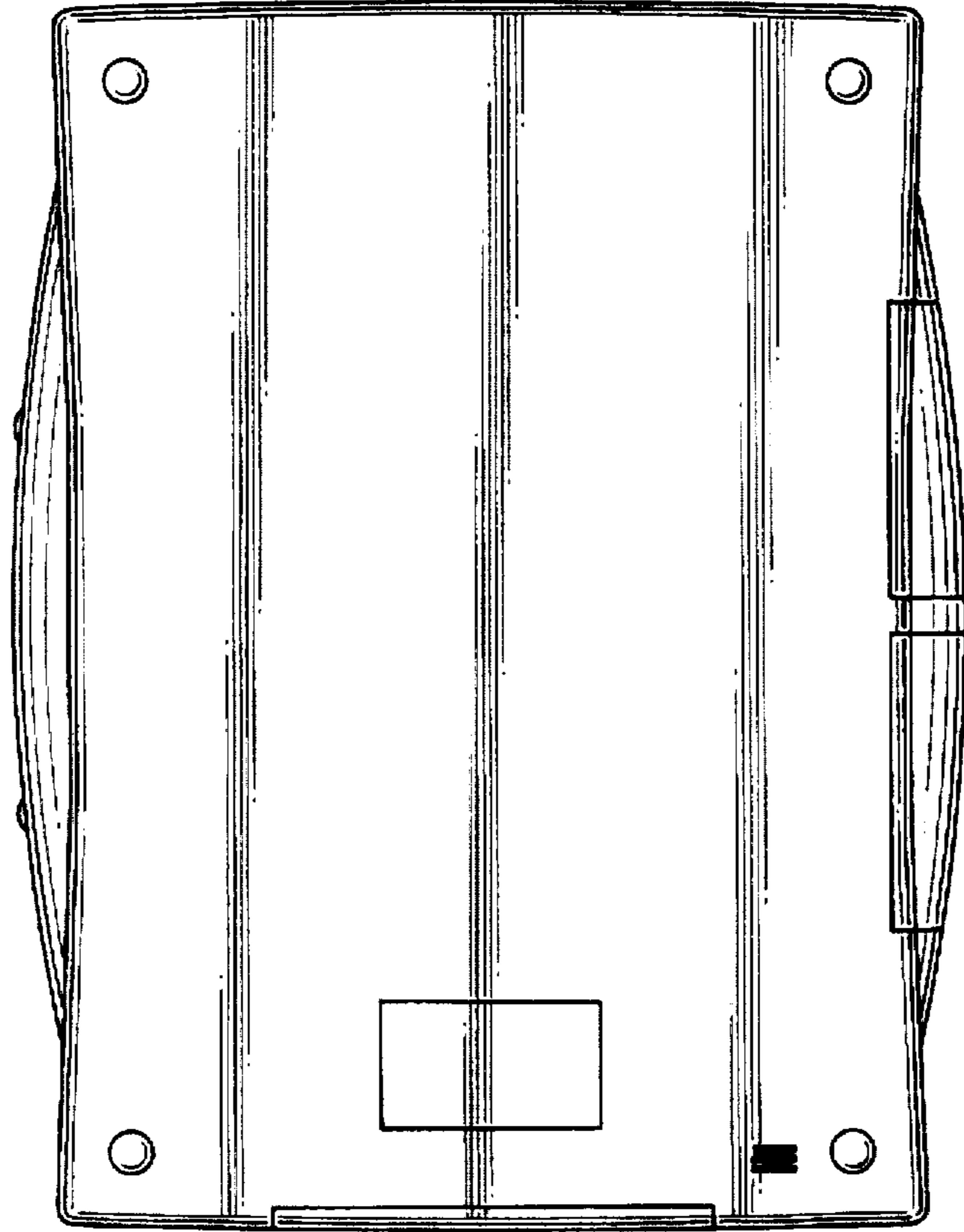


FIG. 4

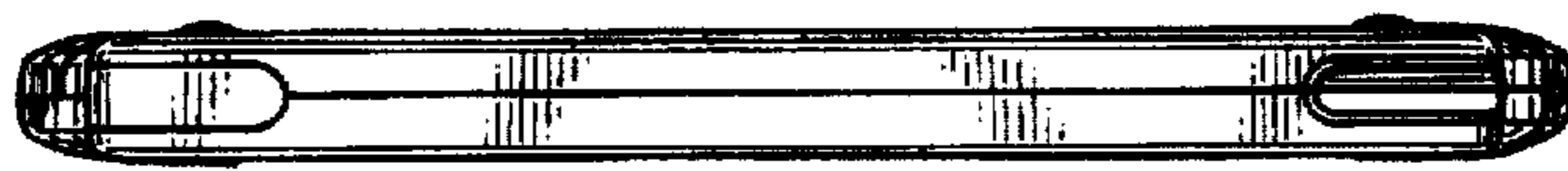


FIG. 5

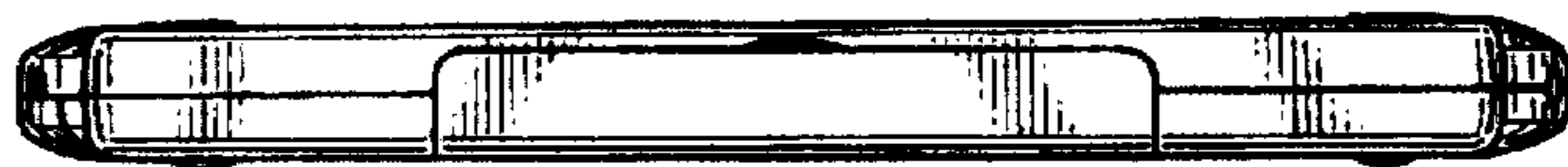
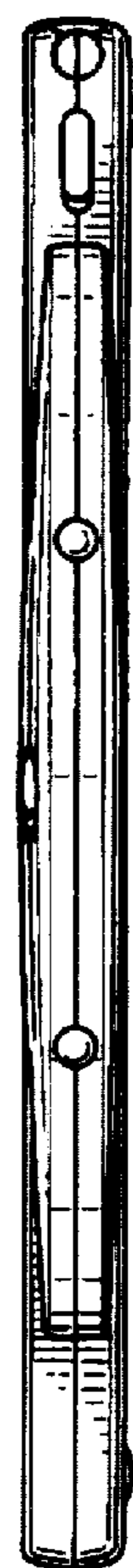


FIG. 6



FIG. 7



UNITED STATES PATENT AND TRADEMARK OFFICE
CERTIFICATE OF CORRECTION

PATENT NO. : Des. 396,452
DATED : July 28, 1998
INVENTOR(S) : Naruki Masatomo

It is certified that error appears in the above-identified patent and that said Letters Patent is hereby corrected as shown below:

On the Title page, please change item [75]:

“Masatomo Naruki” to --NARUKI MASATOMO--

Signed and Sealed this
Twenty-seventh Day of October, 1998

Attest:



BRUCE LEHMAN

Attesting Officer

Commissioner of Patents and Trademarks

UNITED STATES PATENT AND TRADEMARK OFFICE
CERTIFICATE OF CORRECTION

PATENT NO. : D 396,452

DATED : July 28, 1998

INVENTOR(S) : Masatomo Naruki

It is certified that error appears in the above-identified patent and that said Letters Patent is hereby corrected as shown below:

This certificate supersedes Certificate of Correction issued October 27, 1998, the number should be deleted since no Certificate of Correction should have been issued.

Signed and Sealed this
Nineteenth Day of October, 1999

Attest:



Q. TODD DICKINSON

Attesting Officer

Acting Commissioner of Patents and Trademarks