



US00D396451S

United States Patent [19]

[11] Patent Number: Des. 396,451

Wicks

[45] Date of Patent: **Jul. 28, 1998

[54] COMBINED TERMINAL AND ASSOCIATED TELEPHONE HANDSET AND CRADLE

5,187,641	2/1993	Muskatello et al.	361/380
5,228,074	7/1993	Mizikovsky	379/59
5,388,032	2/1995	Gill et al.	364/146
5,414,751	5/1995	Yamada	379/58
5,500,893	3/1996	Onosaka	379/396
5,539,615	7/1996	Sellers	361/680

[75] Inventor: James E. Wicks, Tarrytown, N.Y.

[73] Assignees: Sony Corporation, Tokyo, Japan; Sony Corp. of America, New York, N.Y.

[**] Term: 14 Years

Primary Examiner—Freda Nunn

Attorney, Agent, or Firm—Pasquale Musacchio; Jerry A. Miller

[21] Appl. No.: 44,933

[57] CLAIM

[22] Filed: Oct. 3, 1995

The ornamental design for a combined terminal and associated telephone handset and cradle, as shown and described.

[51] LOC (6) Cl. 14-02

[52] U.S. Cl. D14/101; D14/130; D14/144

[58] Field of Search D14/100, 101, D14/106, 113, 115, 138, 151, 141, 241, 144, 149, 130; D18/1, 2, 7; 235/145 A, 145 R; 345/104, 156, 168, 173, 901-905; 341/22, 23; 361/679-686; 364/708.1, 709.04, 709.12; 400/486, 489

DESCRIPTION

FIG. 1 is a top front and side perspective view of a combined terminal and associated telephone handset and cradle of the claimed design showing my new design with the keyboard extended;

FIG. 2 is a front elevational view thereof shown separately for clarity of illustration only and the keyboard being shown retracted;

FIG. 3 is a top and side perspective view thereof;

FIG. 4 is a top rear and side perspective view thereof;

FIG. 5 is a side elevational view thereof shown separately for clarity of illustration only and the keyboard being shown extended and tilted and the display being fragmented;

FIG. 6 is a side elevational view thereof wherein the display is extended; and,

FIG. 7 is a front perspective view thereof wherein the terminal is shown in a wall mounted position with the associated telephone handset and cradle and the illustrative display in an extended position.

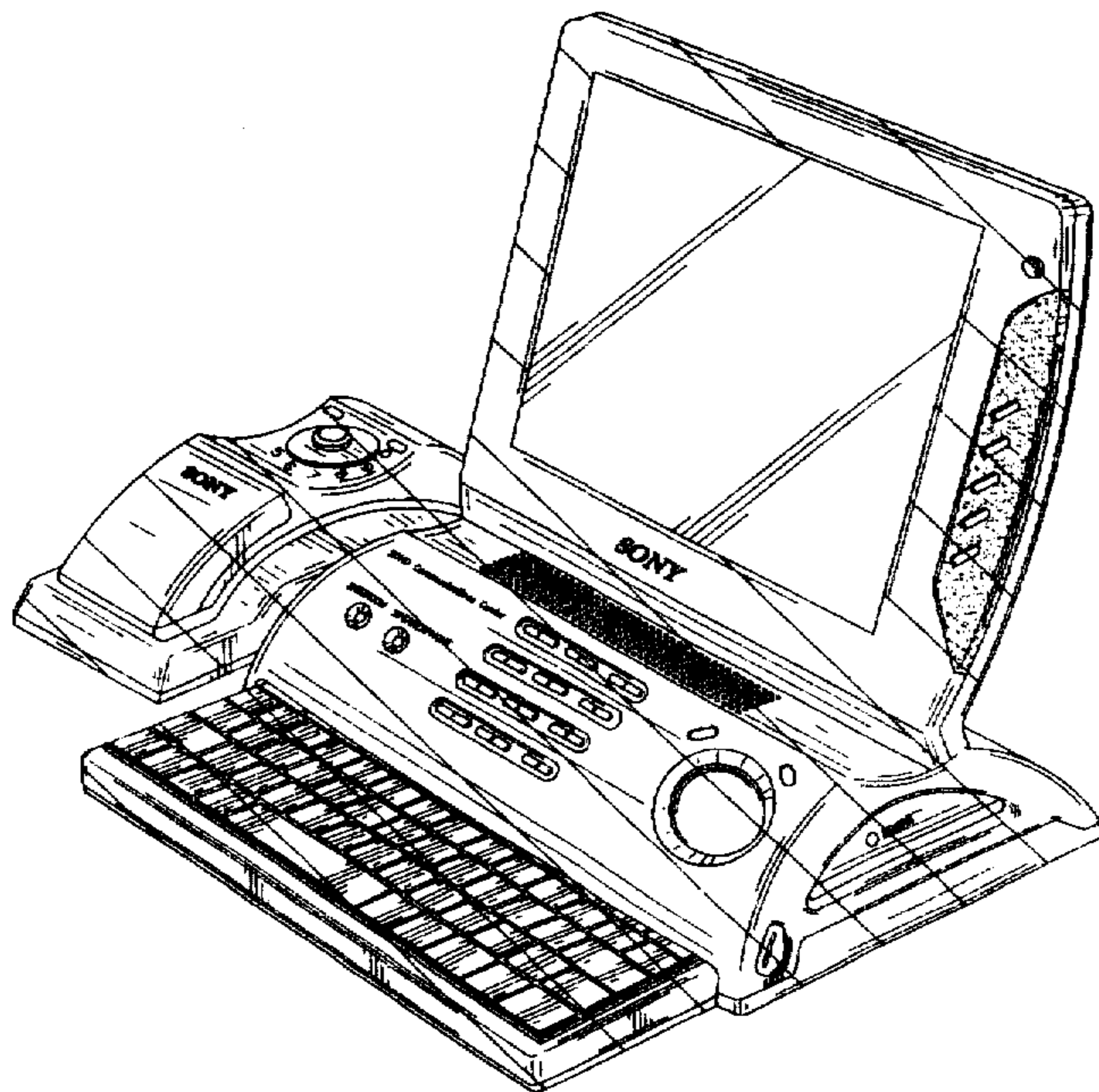
FIGS. 1-7 are lined to represent the color green with wide hatching for convenience of illustration only.

[56] References Cited

U.S. PATENT DOCUMENTS

D. 255,681	7/1980	Read et al.	.
D. 283,709	5/1986	Williams et al.	.
D. 294,250	2/1988	Watanabe et al.	D14/151 X
D. 304,940	12/1989	Pfeifer et al.	D14/151
D. 318,661	7/1991	Fuqua et al.	D14/151
D. 321,184	10/1991	Colida	D14/138
D. 321,340	11/1991	Savio	D14/100
D. 324,036	2/1992	Wakasa	D14/101
D. 330,015	10/1992	Yoshihara	D14/101
D. 331,409	12/1992	Goldsmith et al.	D14/101 X
D. 347,220	5/1994	Katoh	D14/138
D. 350,129	8/1994	Hino et al.	D14/138
D. 350,743	9/1994	Hicks, III et al.	D14/130
D. 356,791	3/1995	Desbarats	D14/151 X
D. 368,895	4/1996	Andre et al.	D14/130 X
4,979,205	12/1990	Haraguchi et al.	379/61

1 Claim, 7 Drawing Sheets



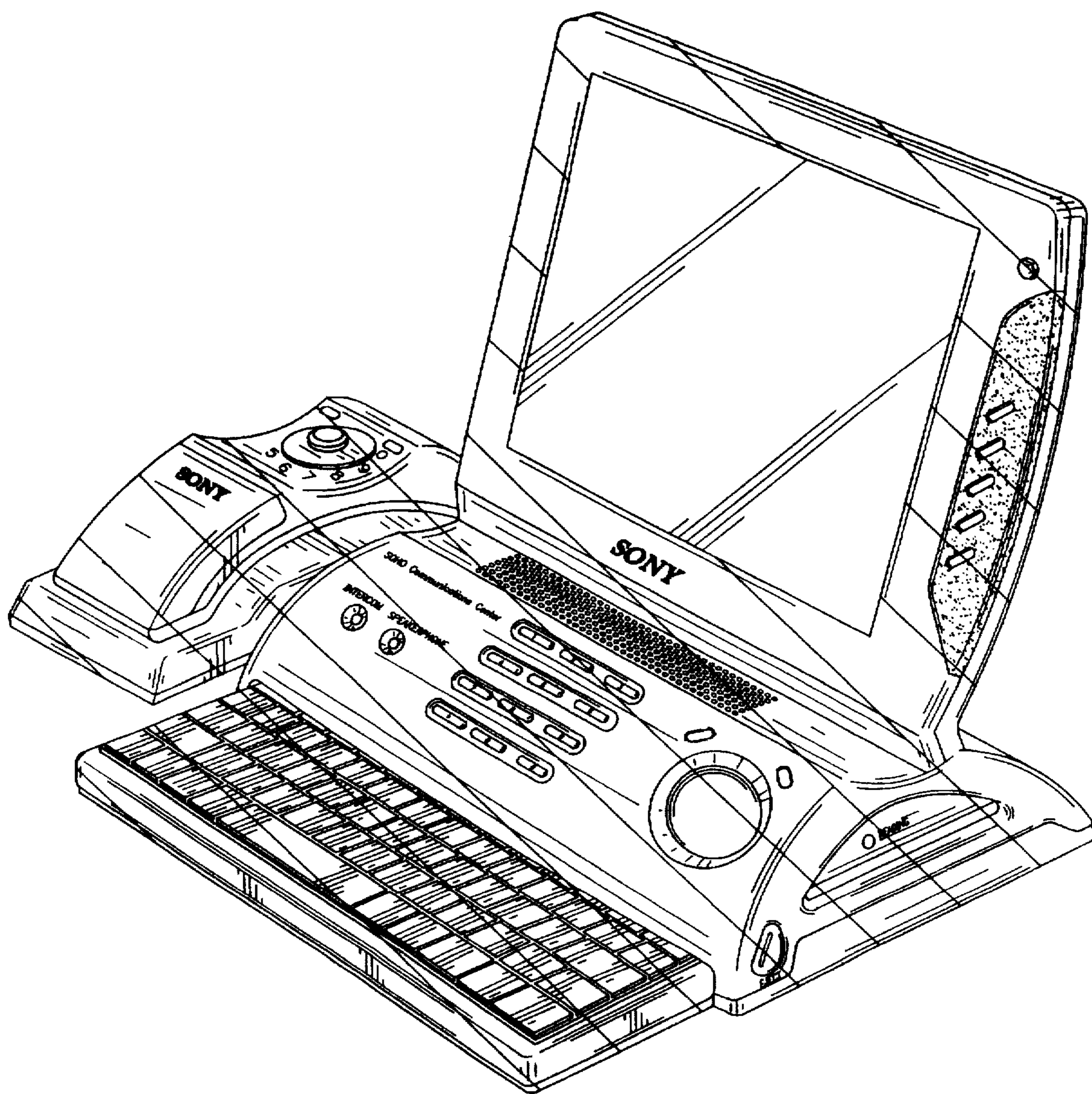


FIG. 1

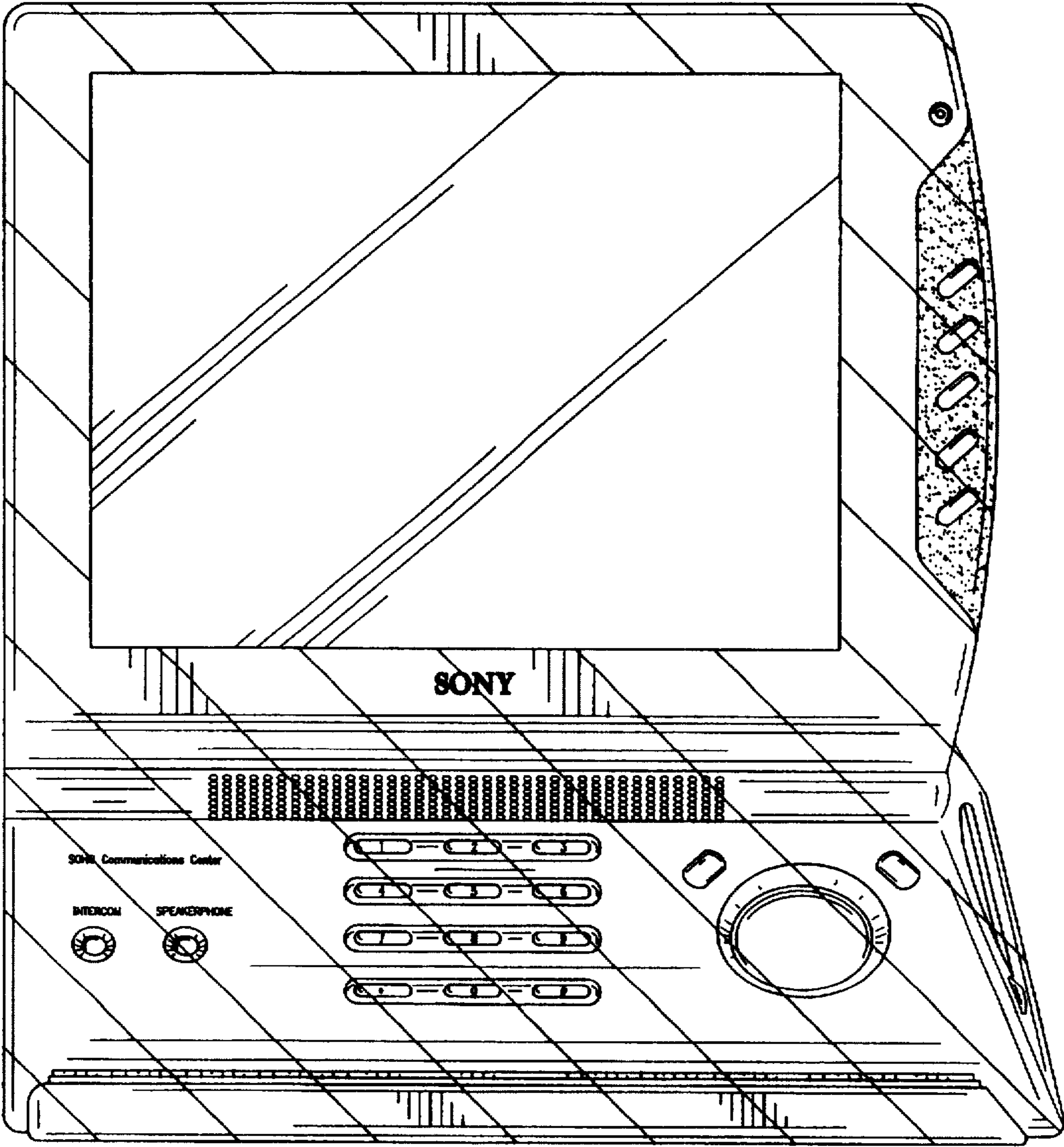


FIG. 2

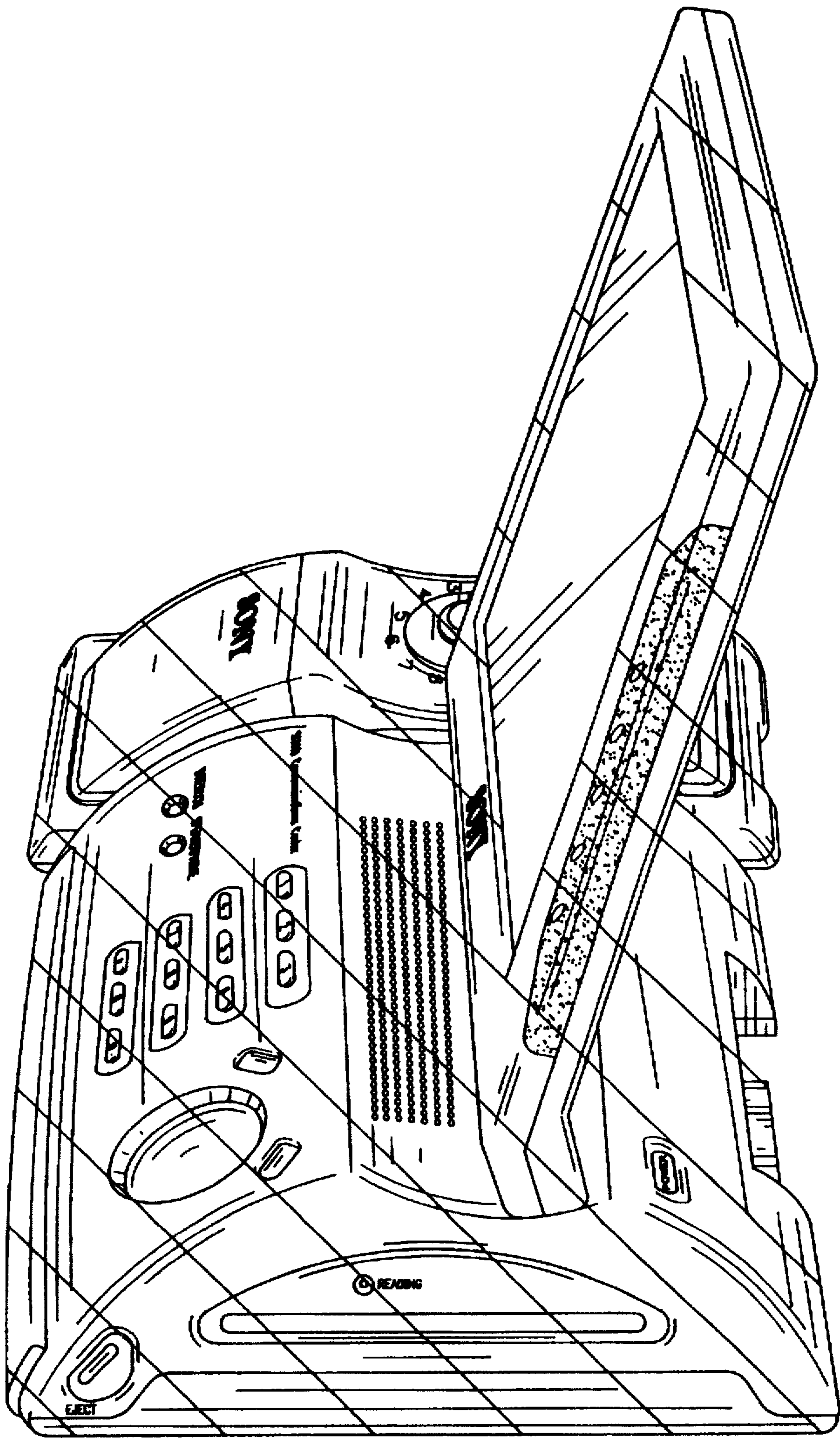


FIG. 3

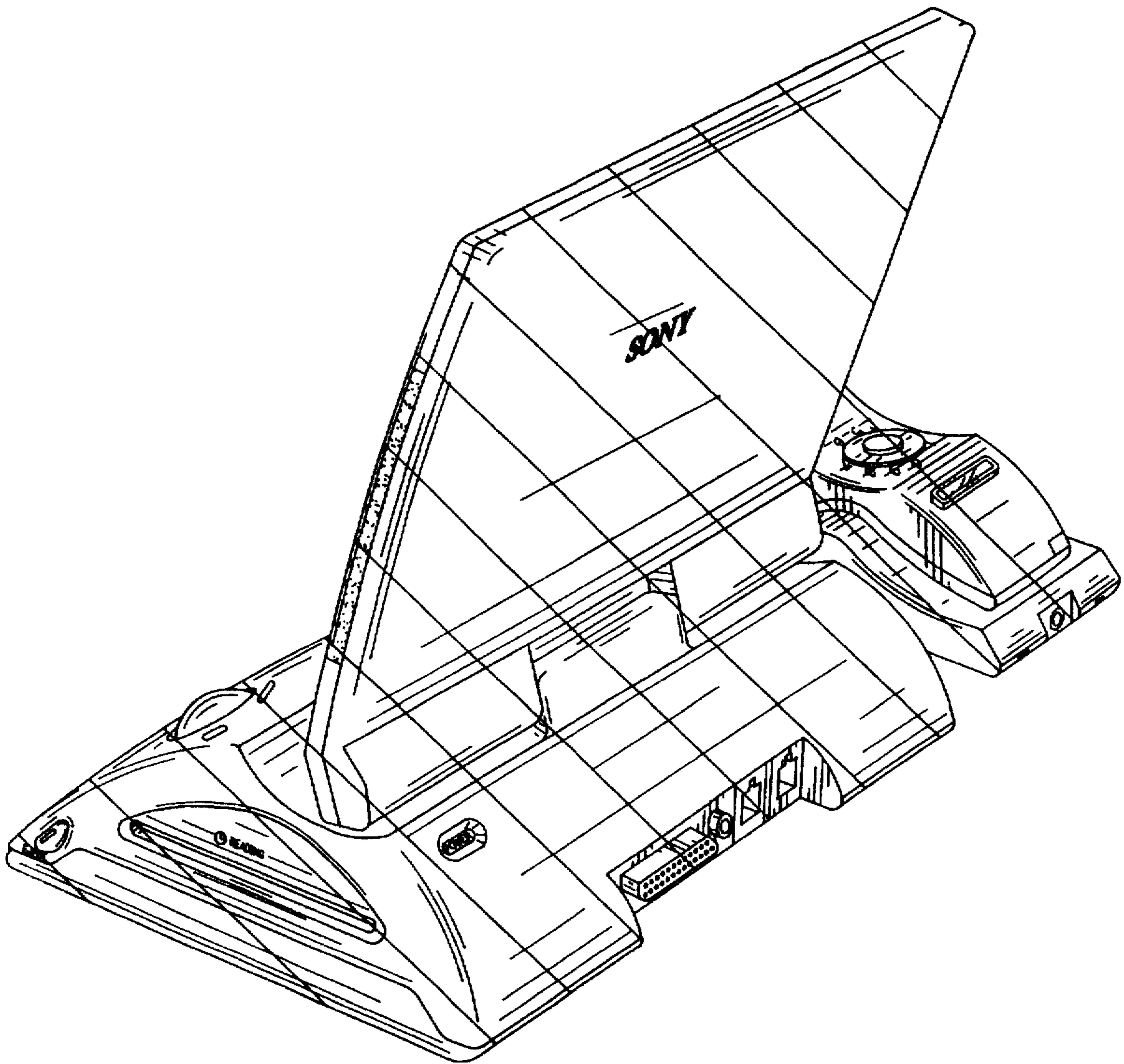


FIG. 4

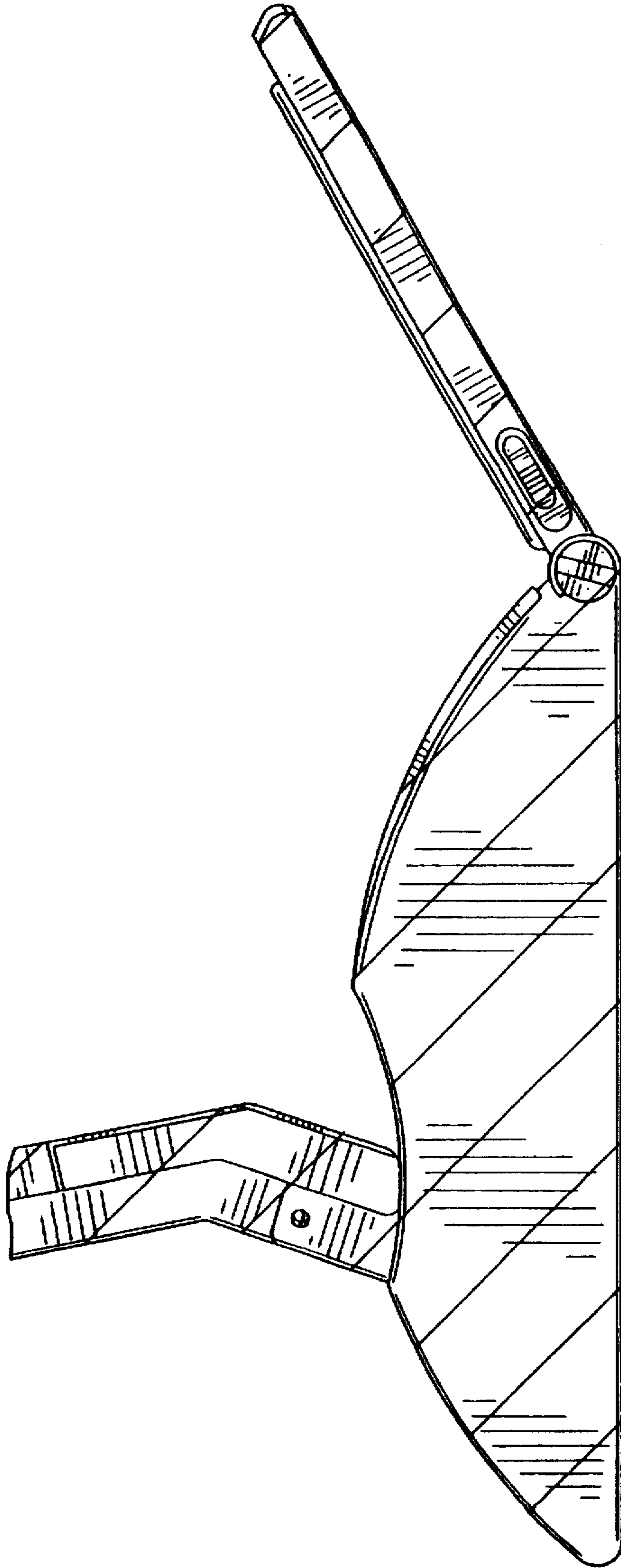


FIG. 5

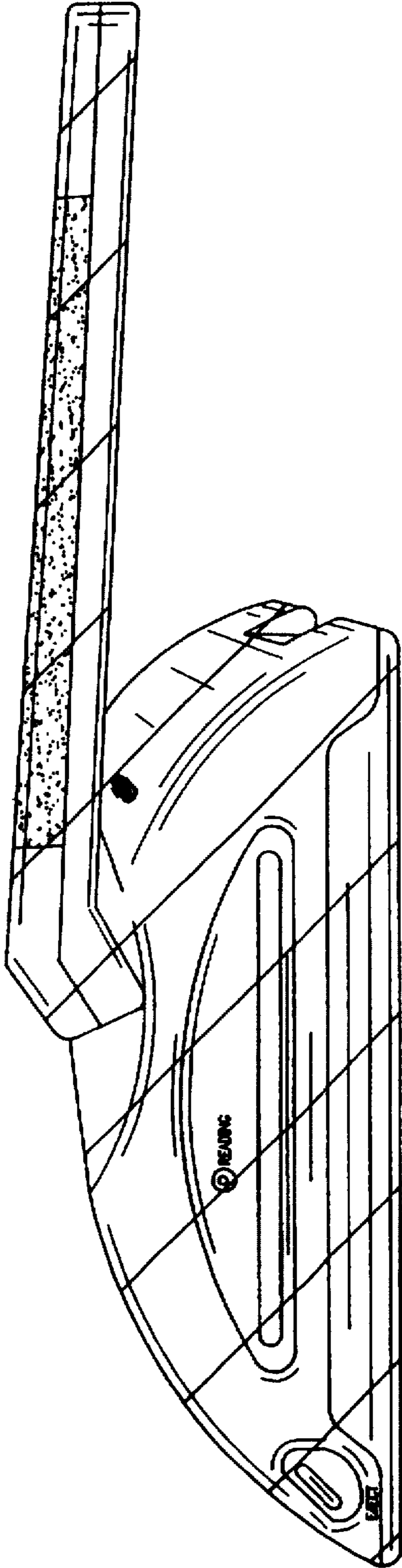


FIG. 6

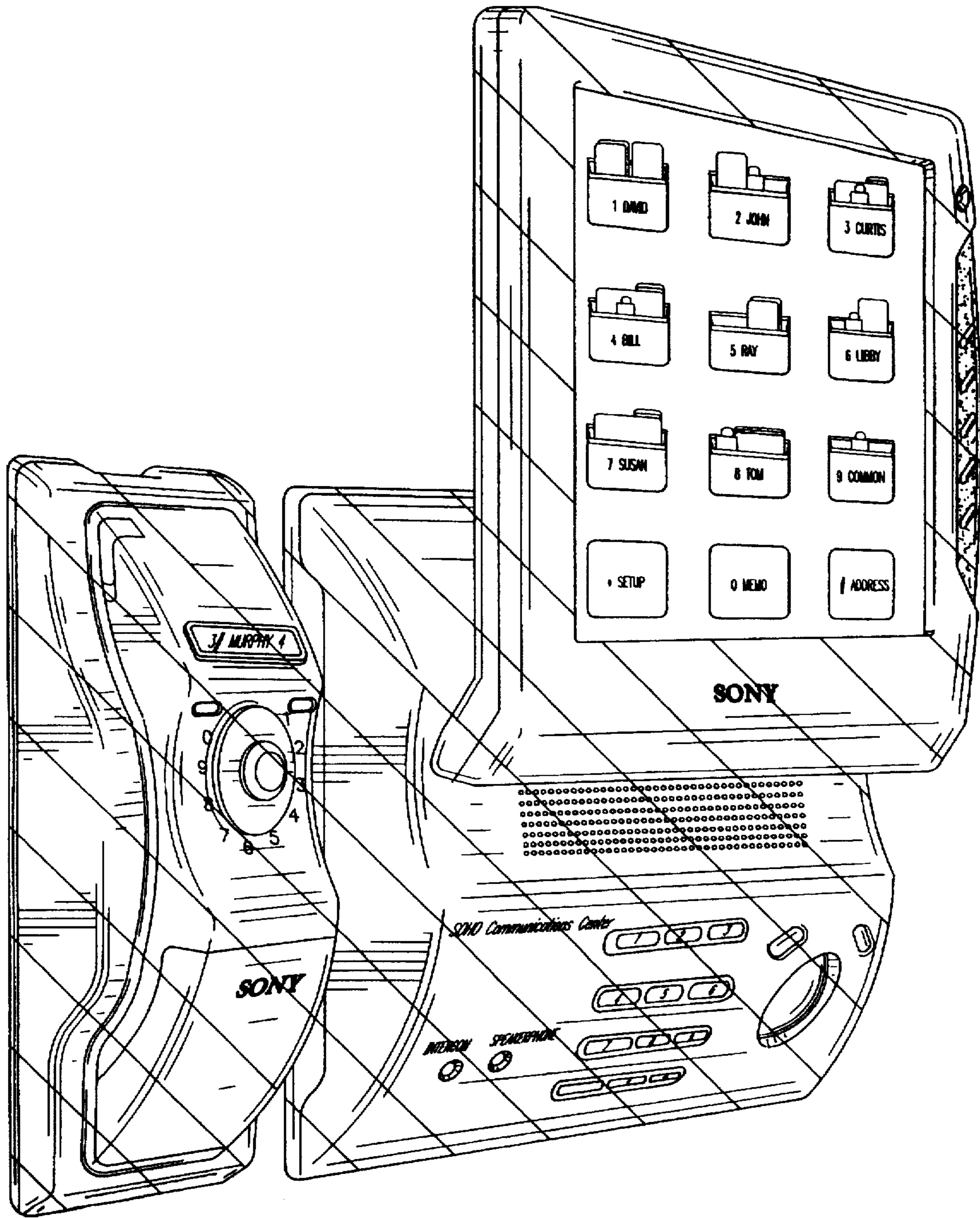


FIG. 7