



US00D396448S

United States Patent [19]

[11] Patent Number: Des. 396,448

Will et al.

[45] Date of Patent: **Jul. 28, 1998

[54] MOTOR DRIVE UNIT FOR A WINDOW SHADE

[75] Inventors: Gary E. Will, Macungie; Mark A. Cieri, Allentown; Charles J. Digney, Jr., Holland; Noel Mayo, Philadelphia, all of Pa.

[73] Assignee: Lutron Electronics Co. Inc., Coopersburg, Pa.

[**] Term: 14 Years

[21] Appl. No.: 64,323

[22] Filed: Dec. 27, 1996

[51] LOC (6) Cl. 13-02

[52] U.S. Cl. D13/112

[58] Field of Search D13/112; 160/1, 160/310-311, 331

[56] **References Cited**

U.S. PATENT DOCUMENTS

- D. 326,083 5/1992 Miyamoto et al. D13/112
- D. 387,598 12/1997 Liu D13/112
- 5,249,616 10/1993 Yen 160/310 X

Primary Examiner—Brian N. Vinson
Attorney, Agent, or Firm—Ostrolenk, Faber, Gerb & Soffen, LLP

[57] **CLAIM**

The ornamental design for a motor drive unit for a window shade control system, as shown and described.

DESCRIPTION

FIG. 1 is a perspective view of the ornamental design for a motor drive unit for a window shade;

FIG. 2 is a bottom plan view of the ornamental design for a motor drive unit for a window shade;

FIG. 3 is a top plan view of the ornamental design for a motor drive unit for a window shade;

FIG. 4 is a rear plan view of the ornamental design for a motor drive unit for a window shade;

FIG. 5 is a front plan view of the ornamental design for a motor drive unit for a window shade;

FIG. 6 is a left side plan view of the ornamental design for a motor drive unit for a window shade;

FIG. 7 is a right side plan view of the ornamental design for a motor drive unit for a window shade;

FIG. 8 is a perspective view of a second embodiment of an ornamental design for a motor drive unit for a window shade;

FIG. 9 is a second perspective view of the second embodiment of the ornamental design of FIG. 8 from a different angle;

FIG. 10 is a bottom plan view of the second embodiment of the ornamental design;

FIG. 11 is a top plan view of the second embodiment of the ornamental design;

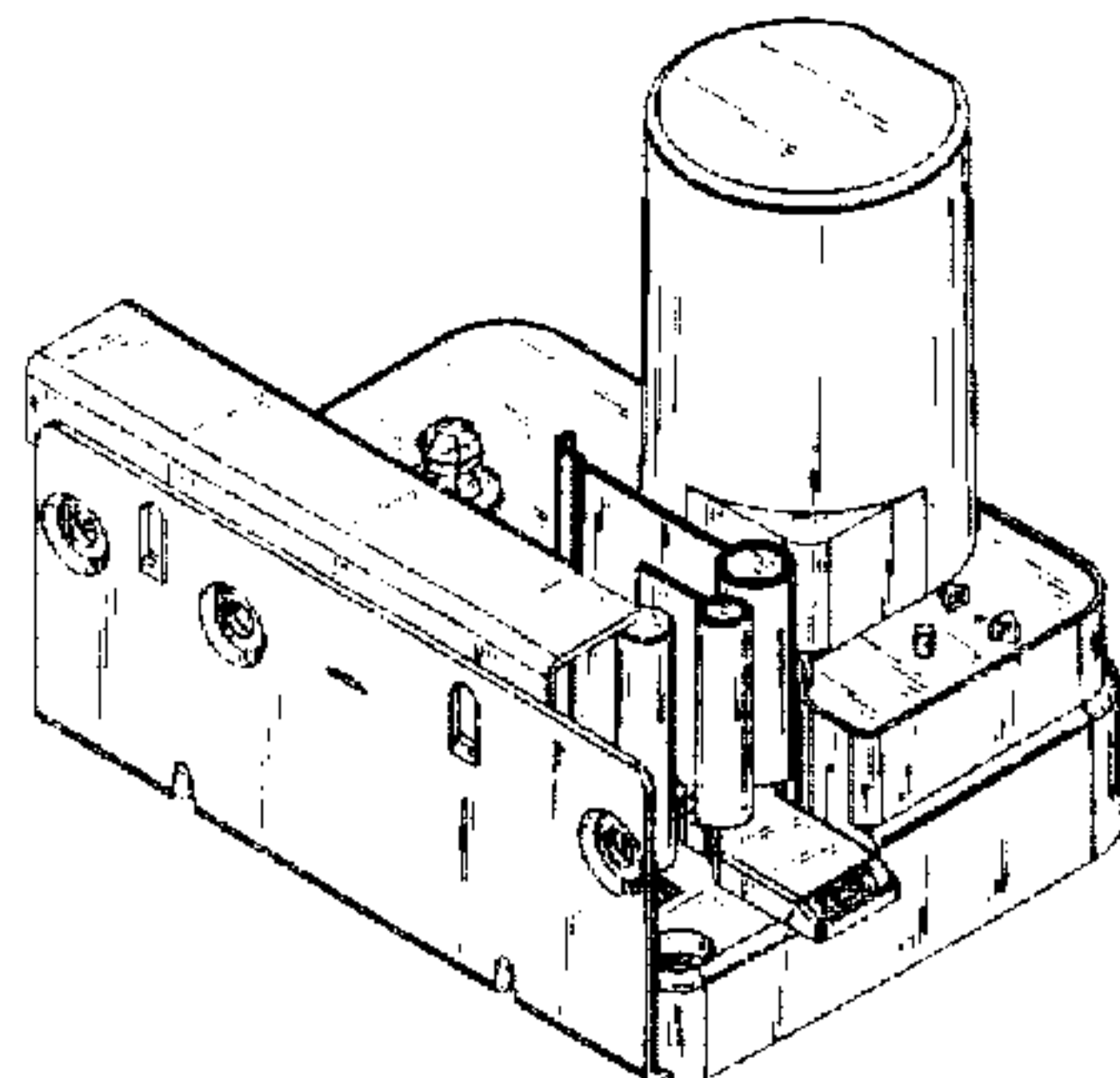
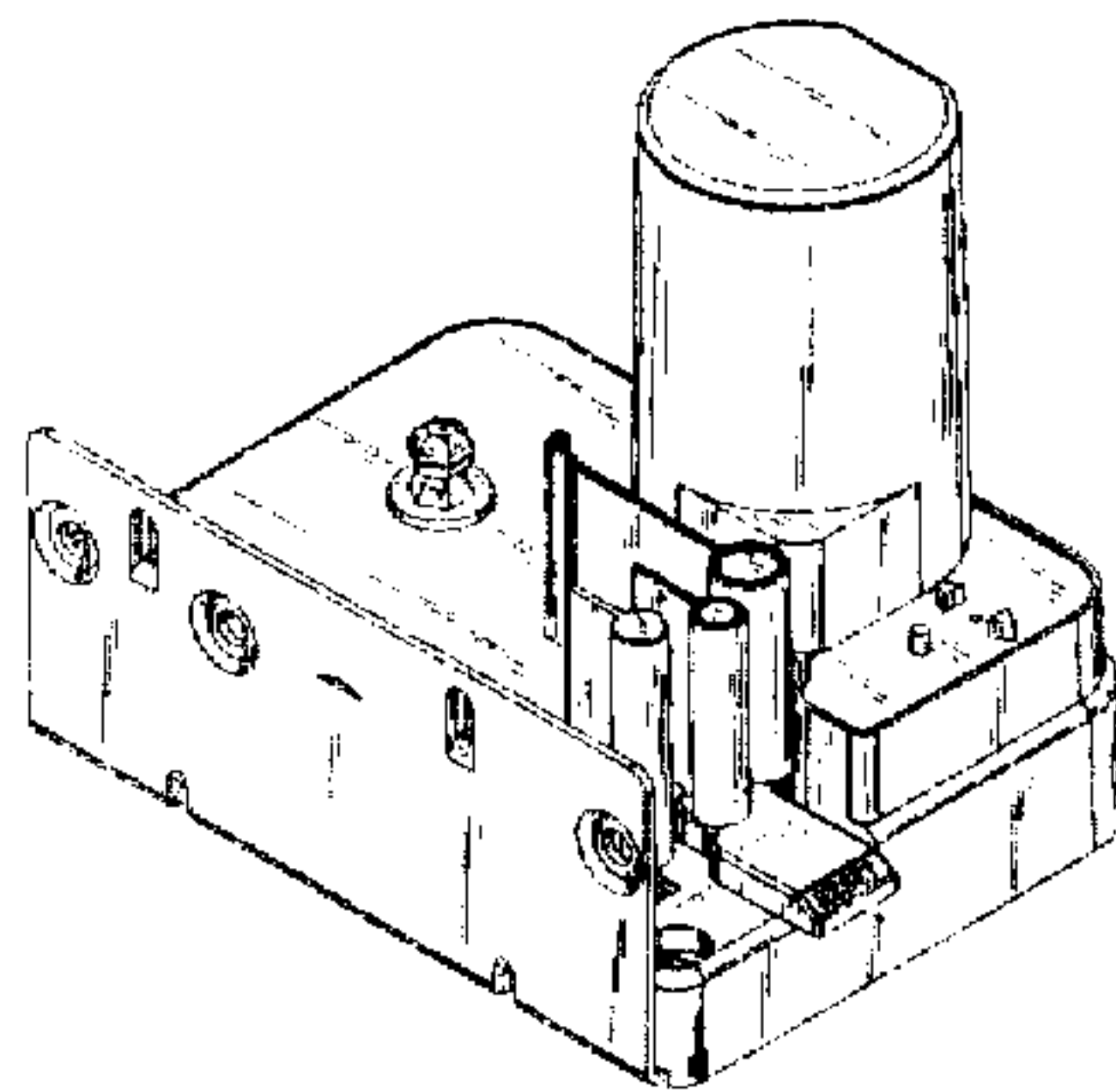
FIG. 12 is a rear plan view of the second embodiment of the ornamental design;

FIG. 13 is a front plan view of the second embodiment of the ornamental design;

FIG. 14 is a left side plan view of the second embodiment of the ornamental design; and,

FIG. 15 is a right side plan view of the second embodiment of the ornamental design.

1 Claim, 15 Drawing Sheets



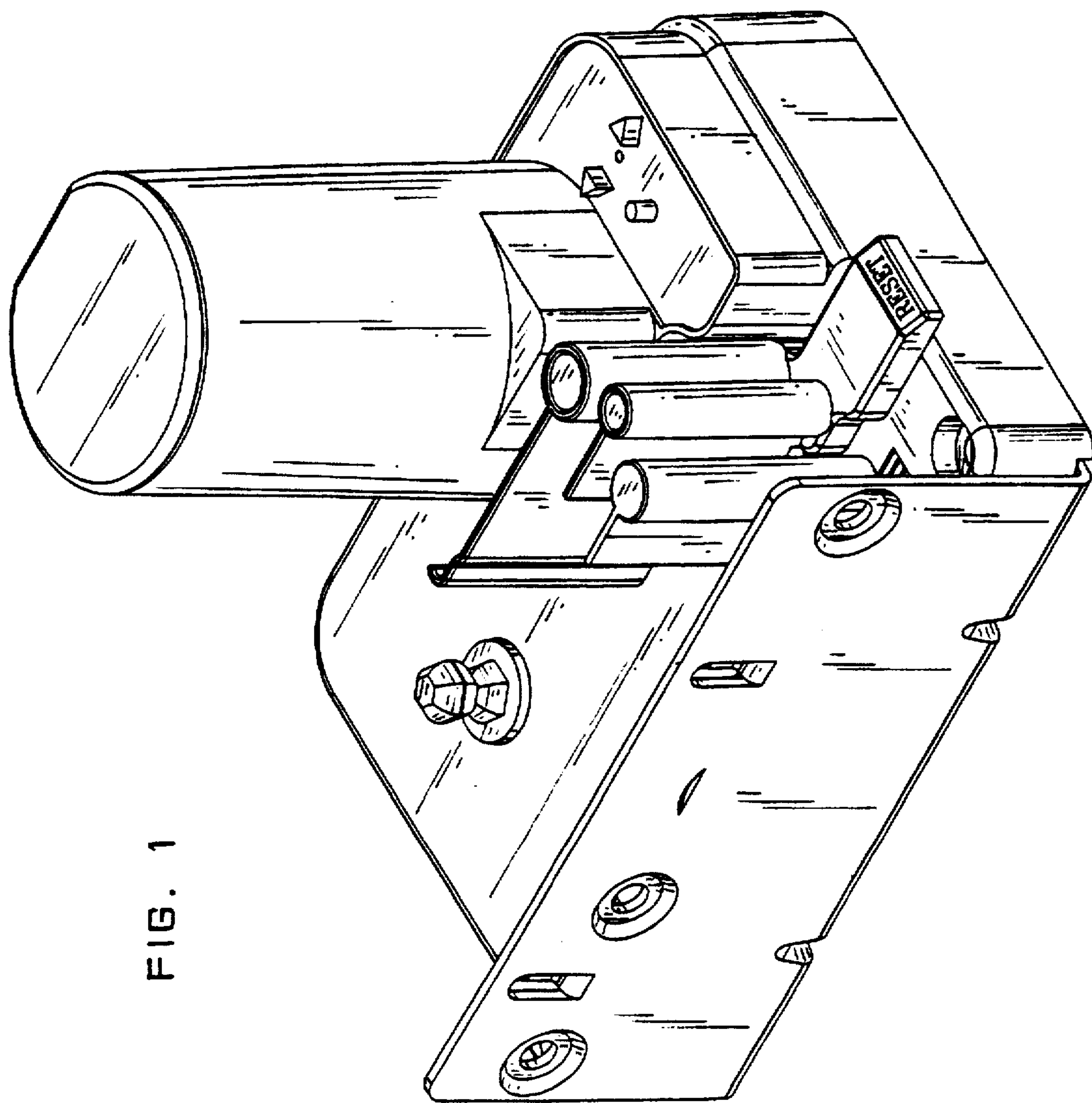


FIG. 1

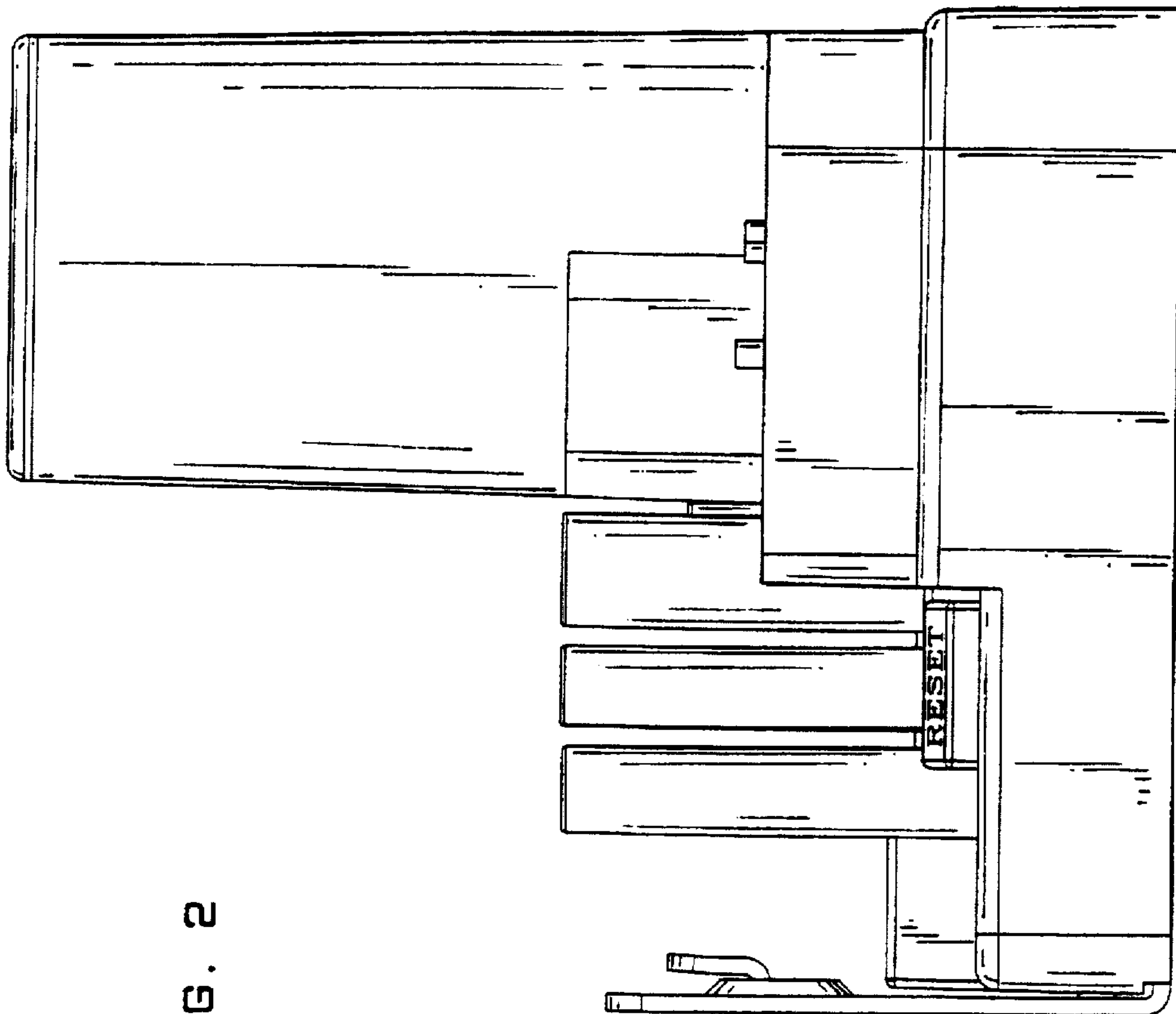
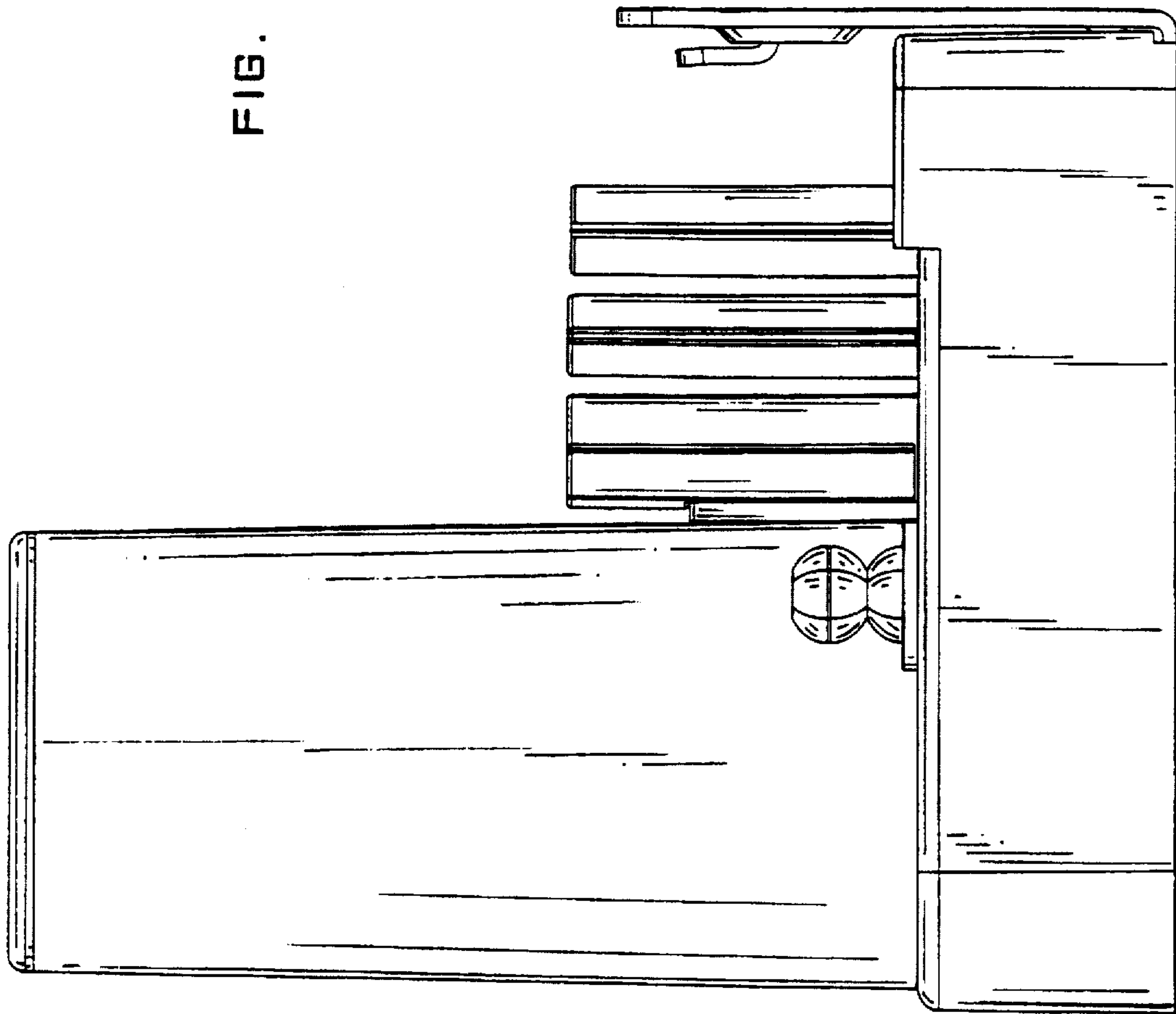


FIG. 2

FIG. 3



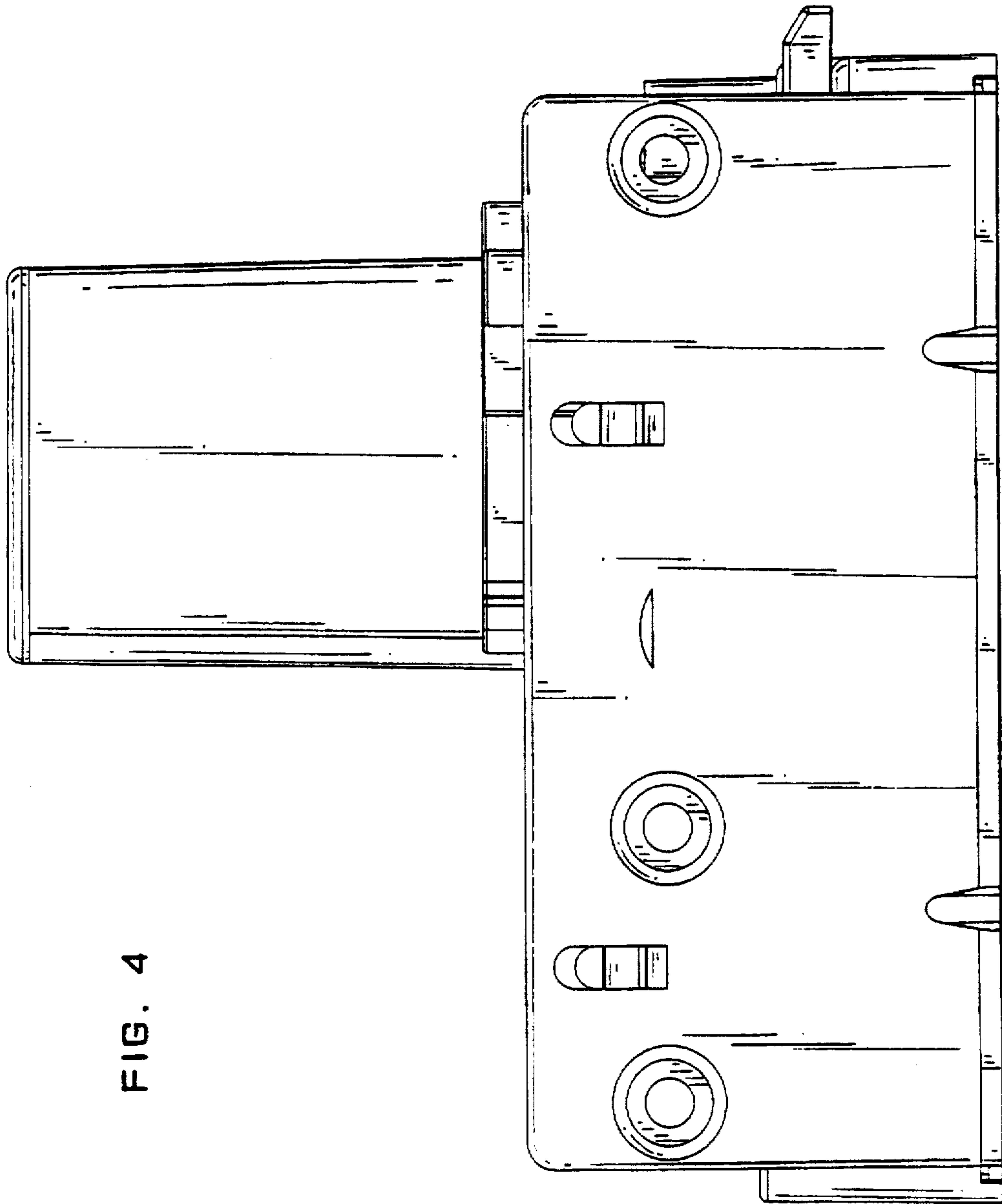
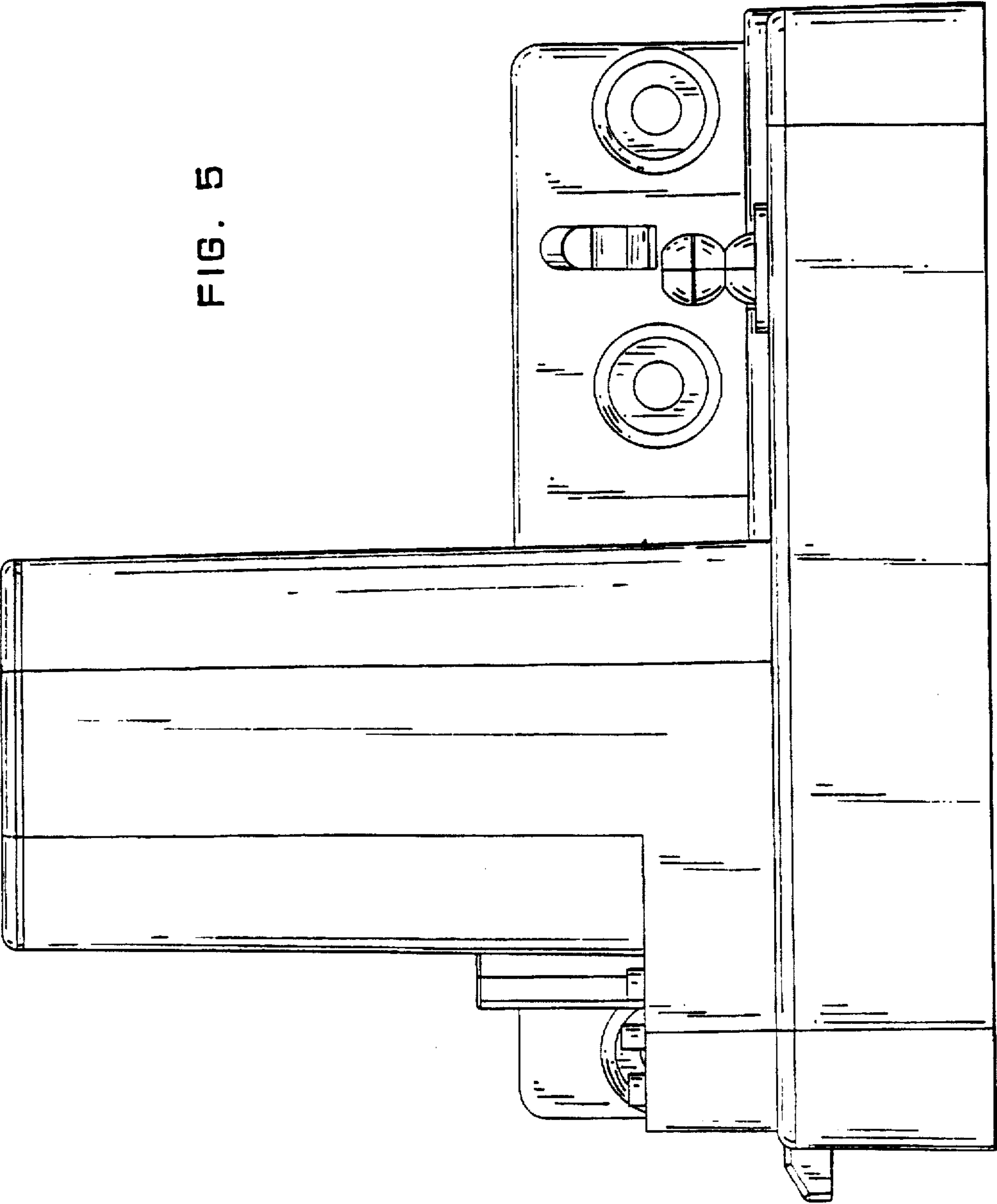


FIG. 4

FIG. 5



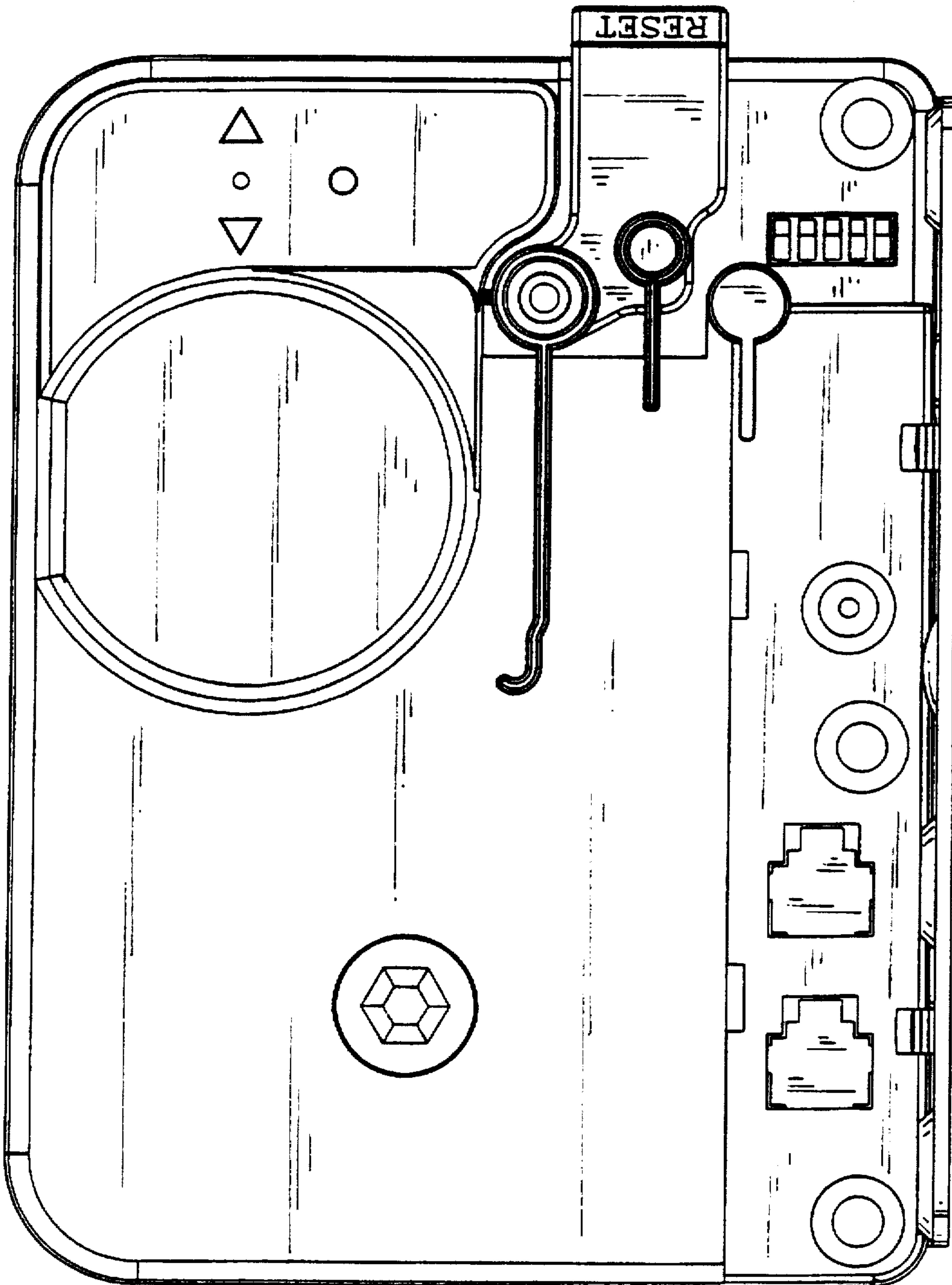


FIG. 6

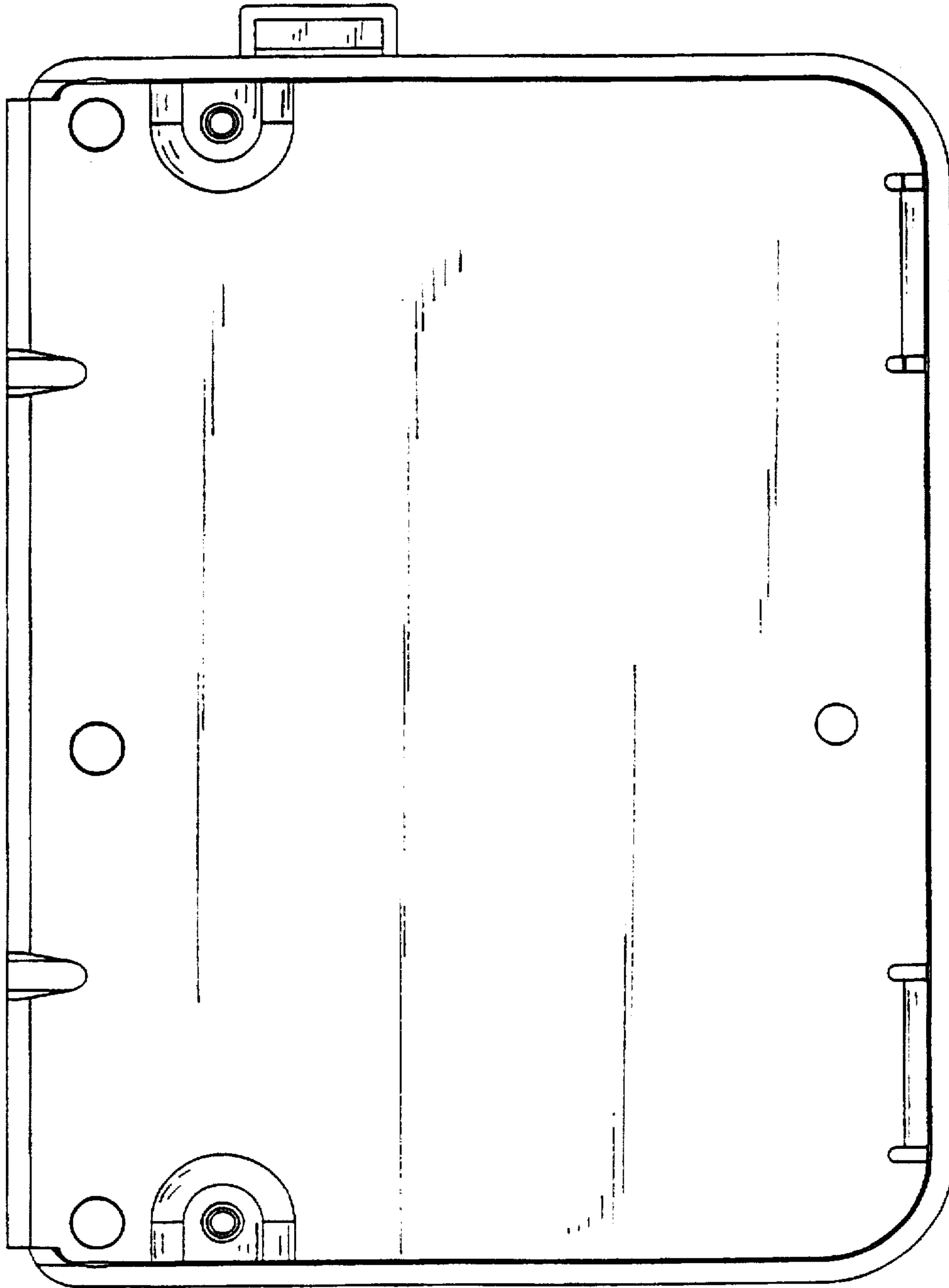


FIG. 7

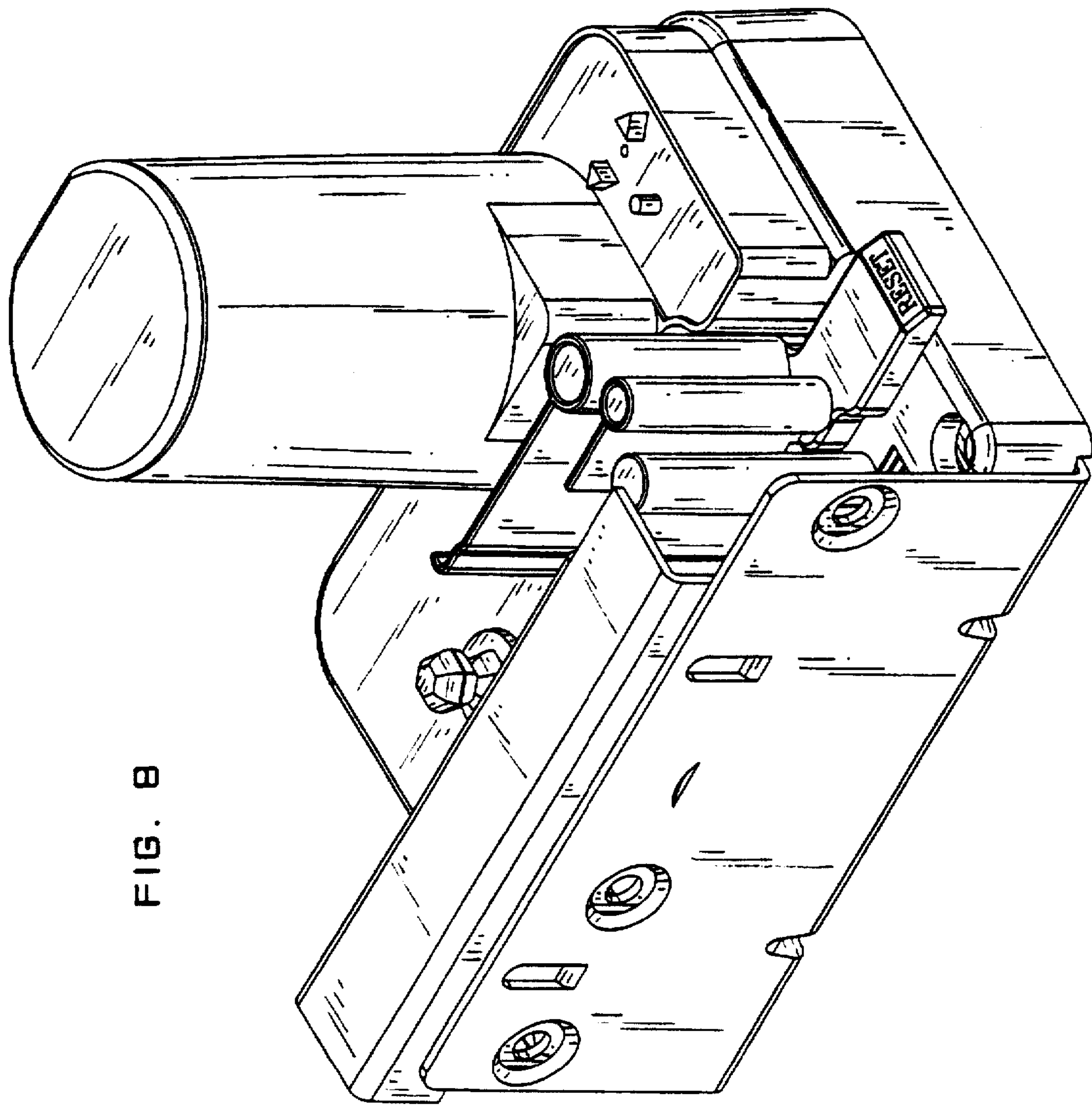


FIG. 8

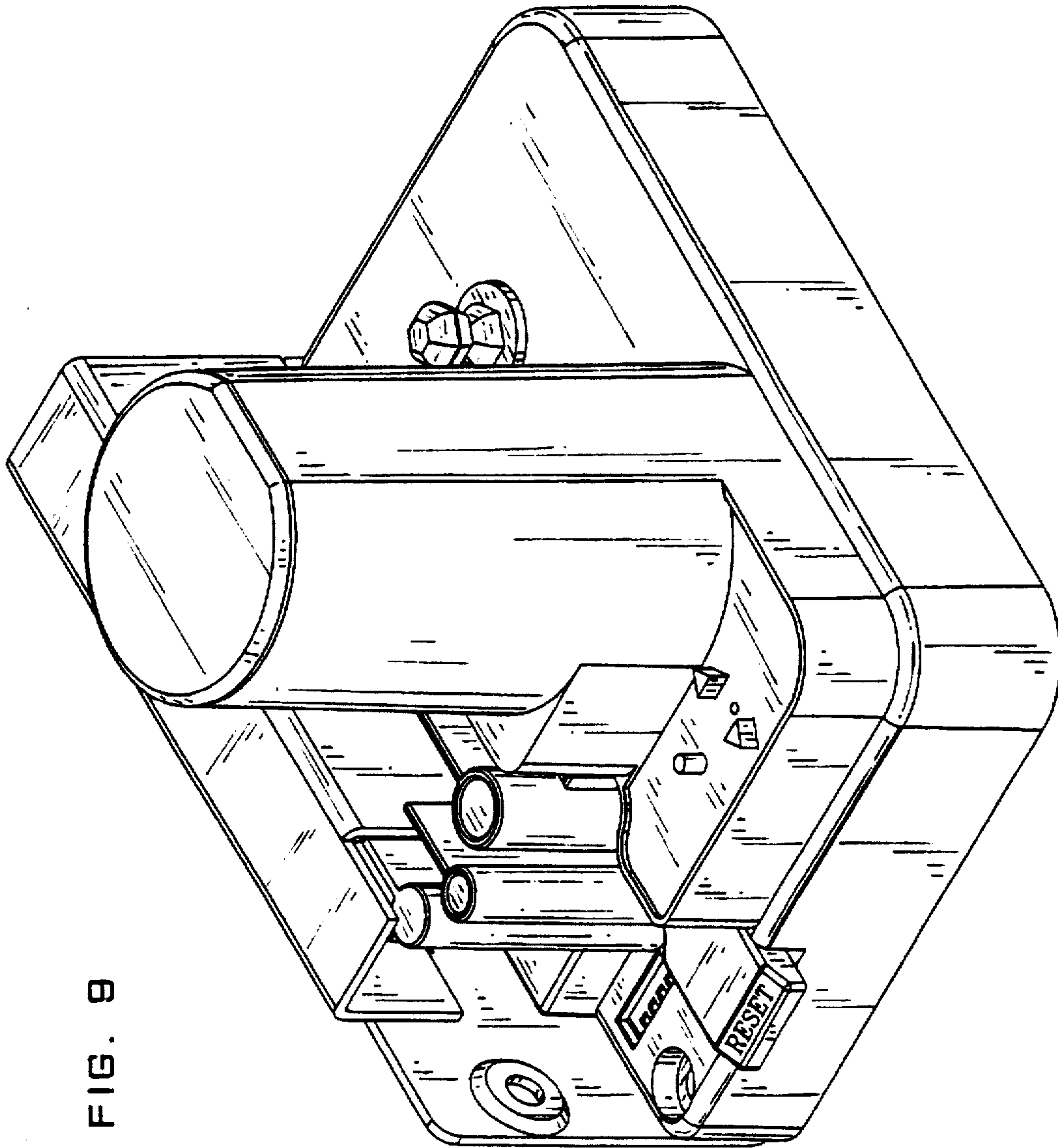


FIG. 9

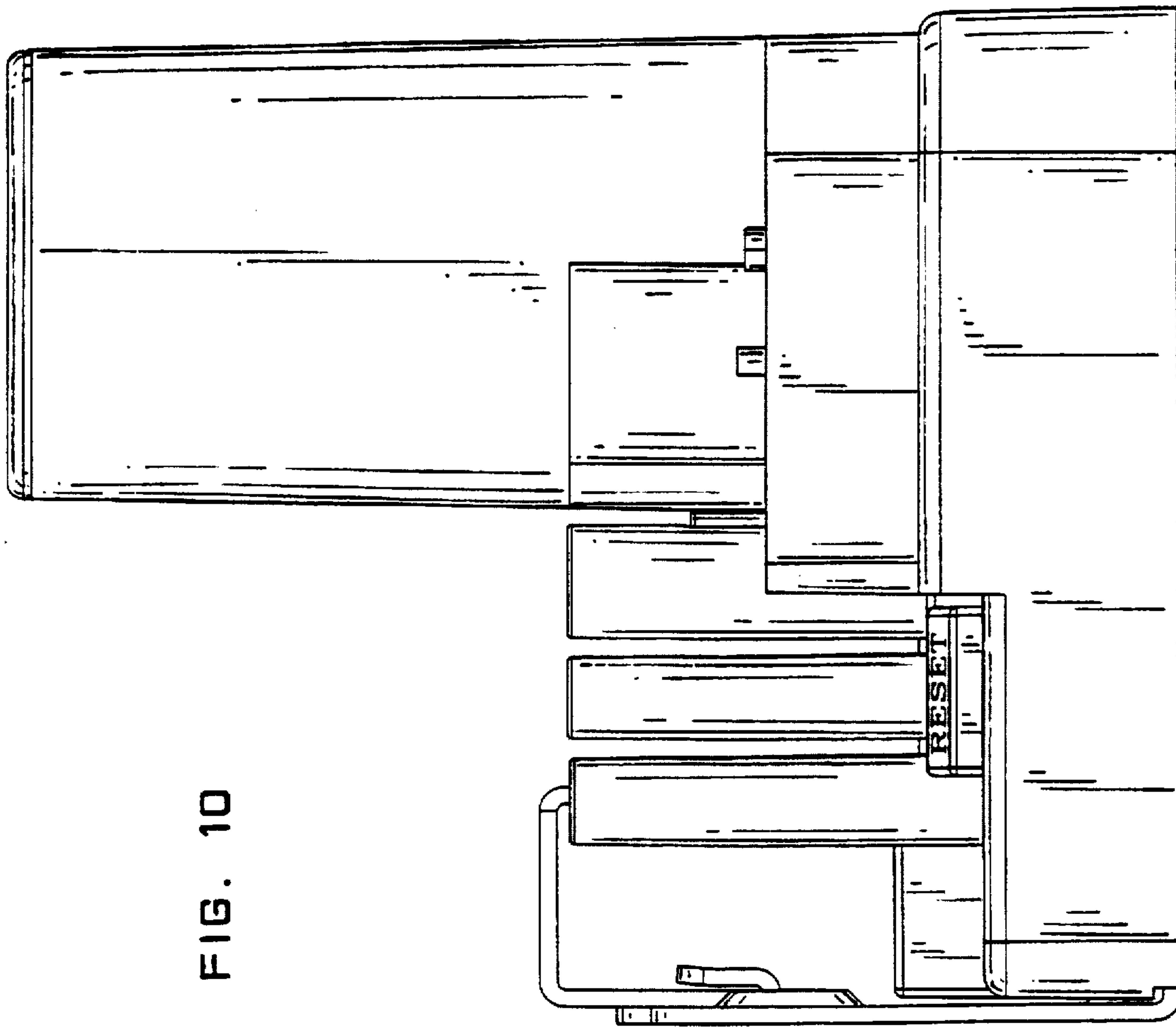
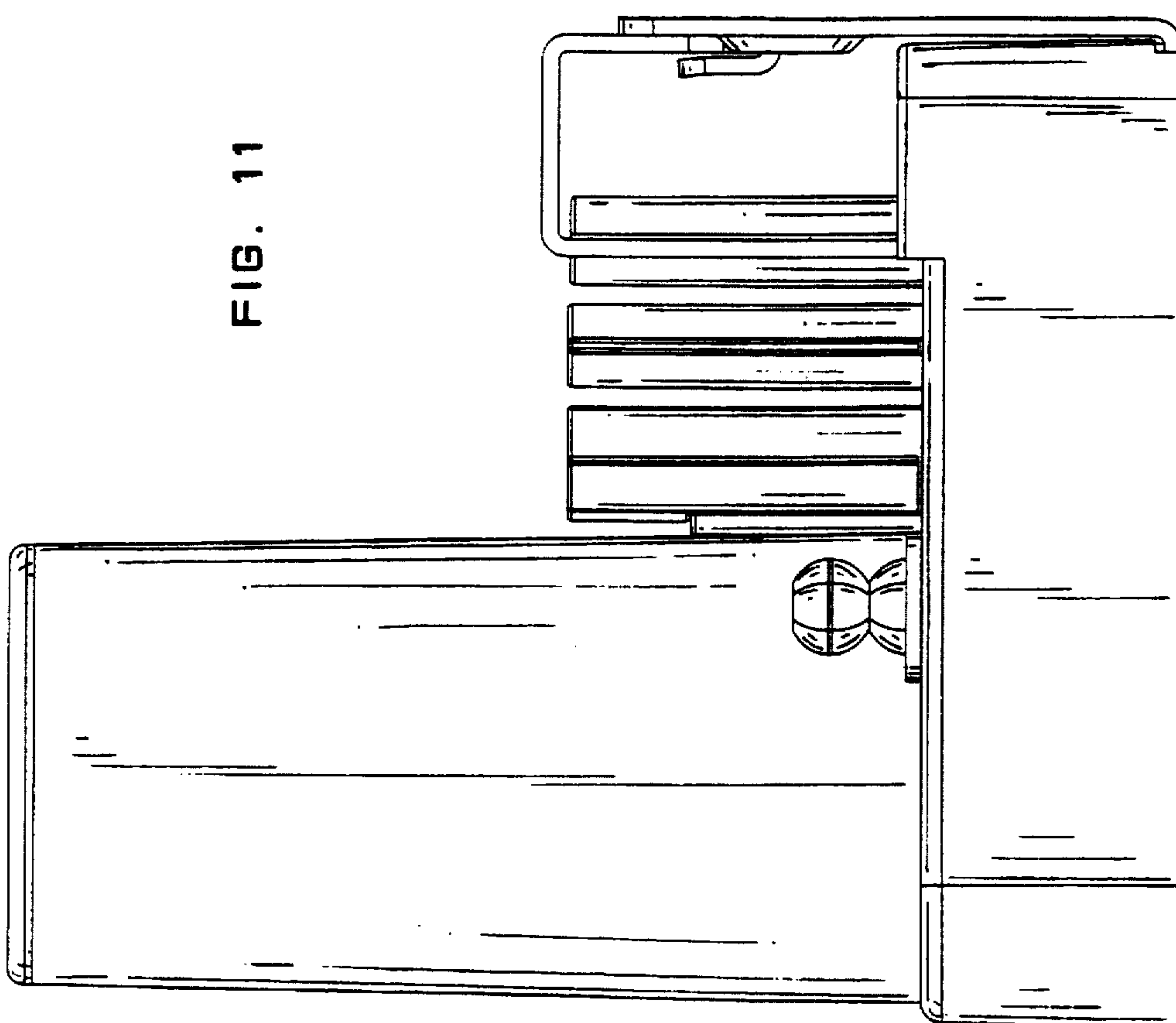


FIG. 10

FIG. 11



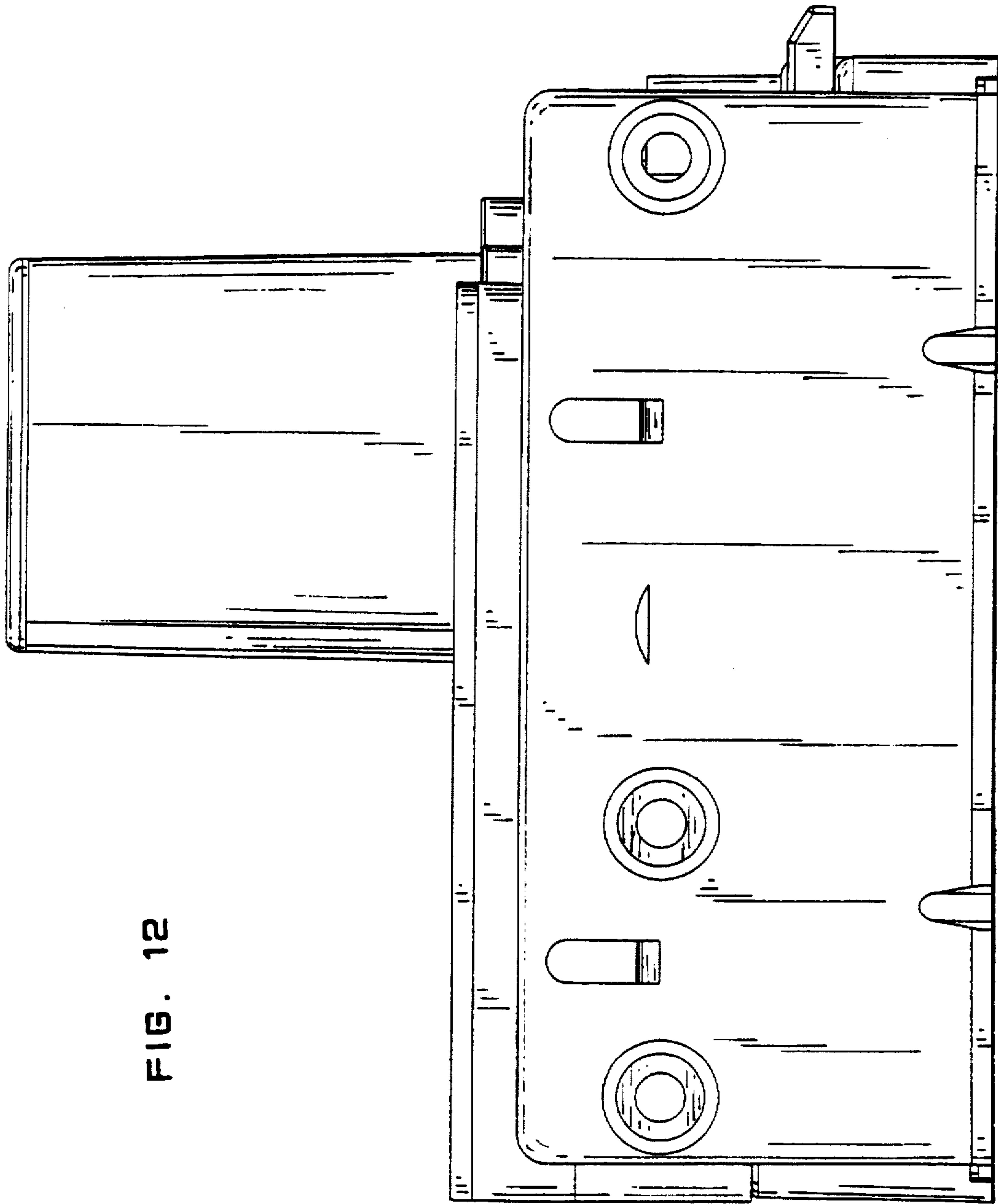
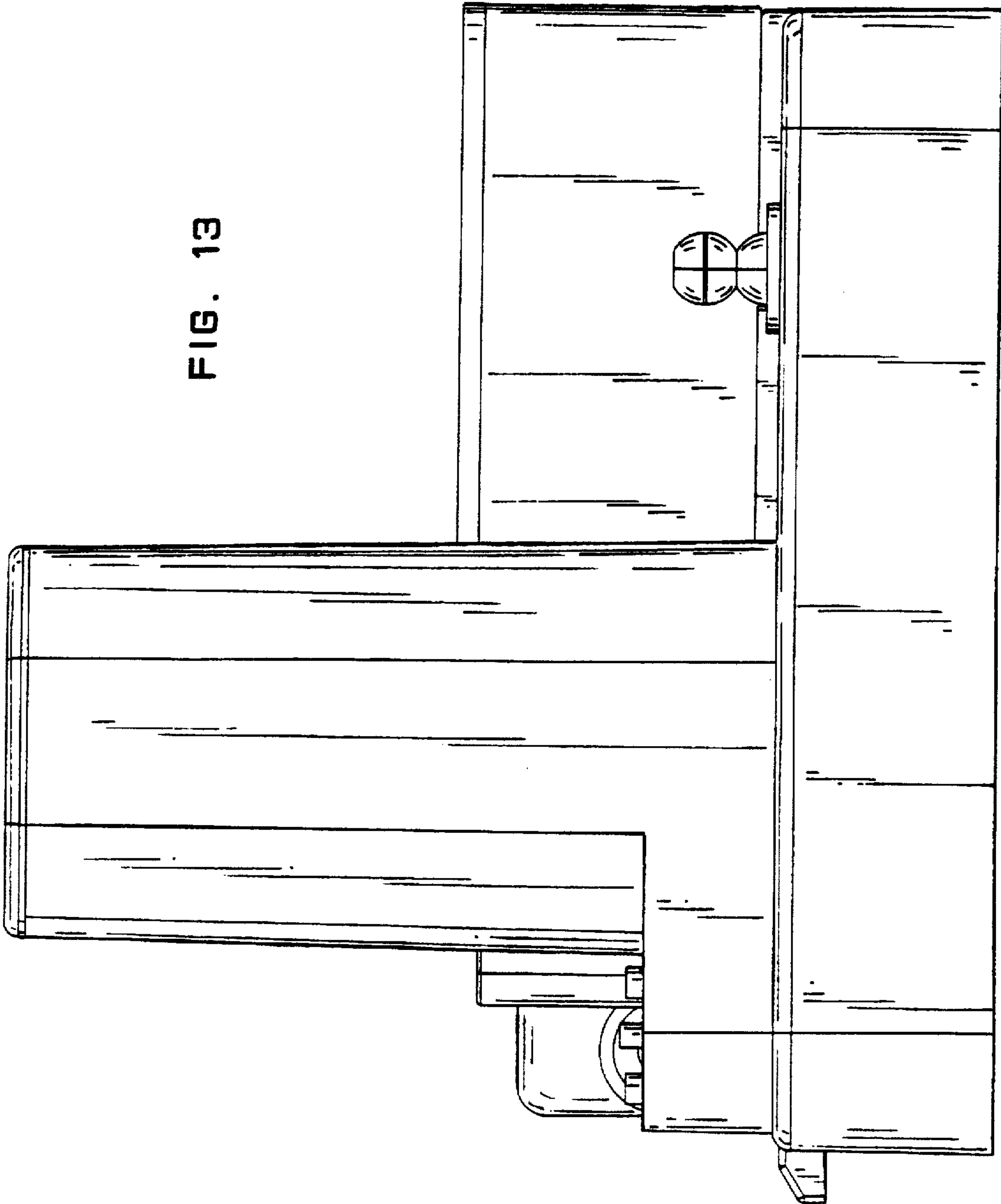


FIG. 12

FIG. 13



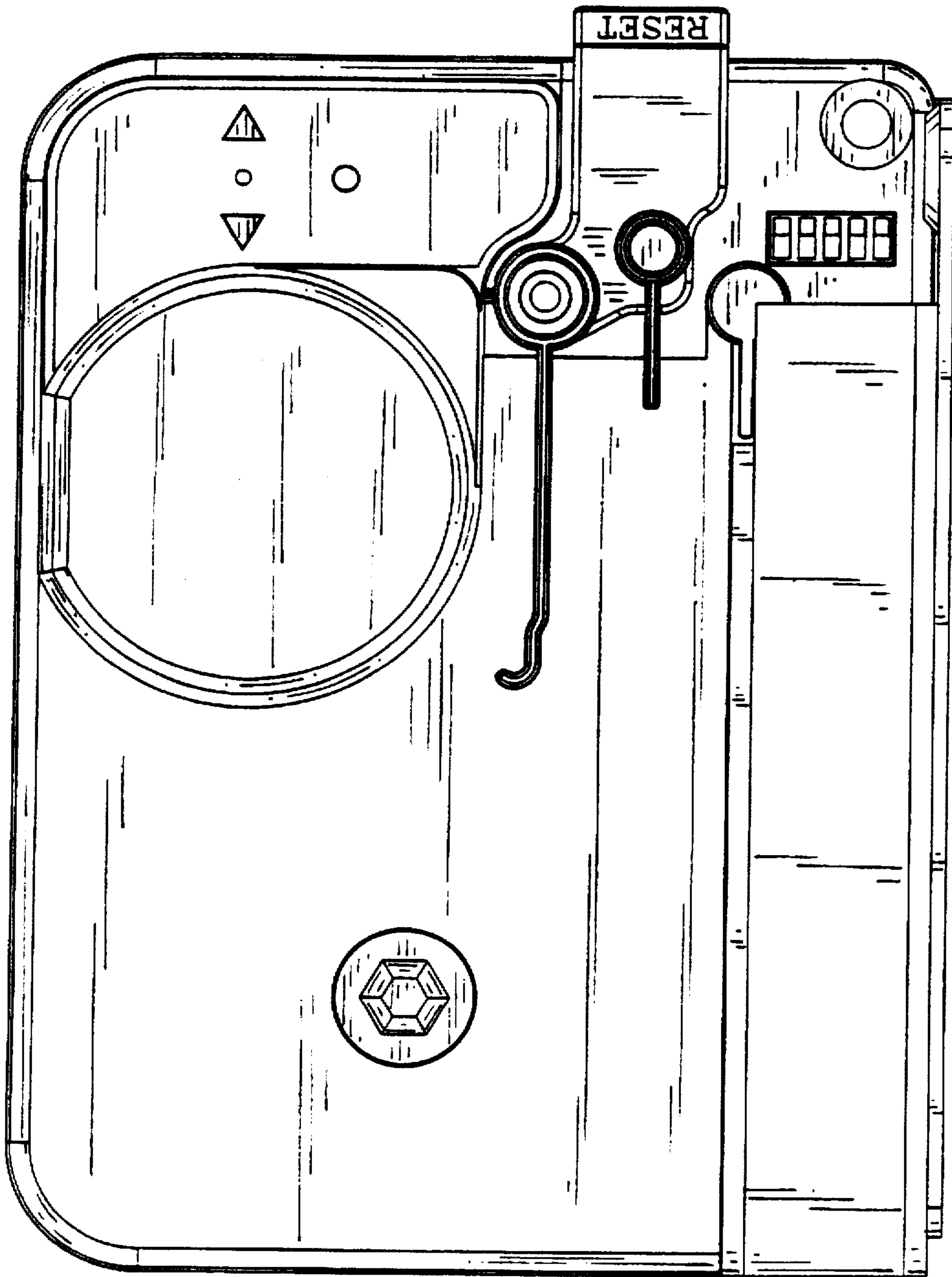


FIG. 14

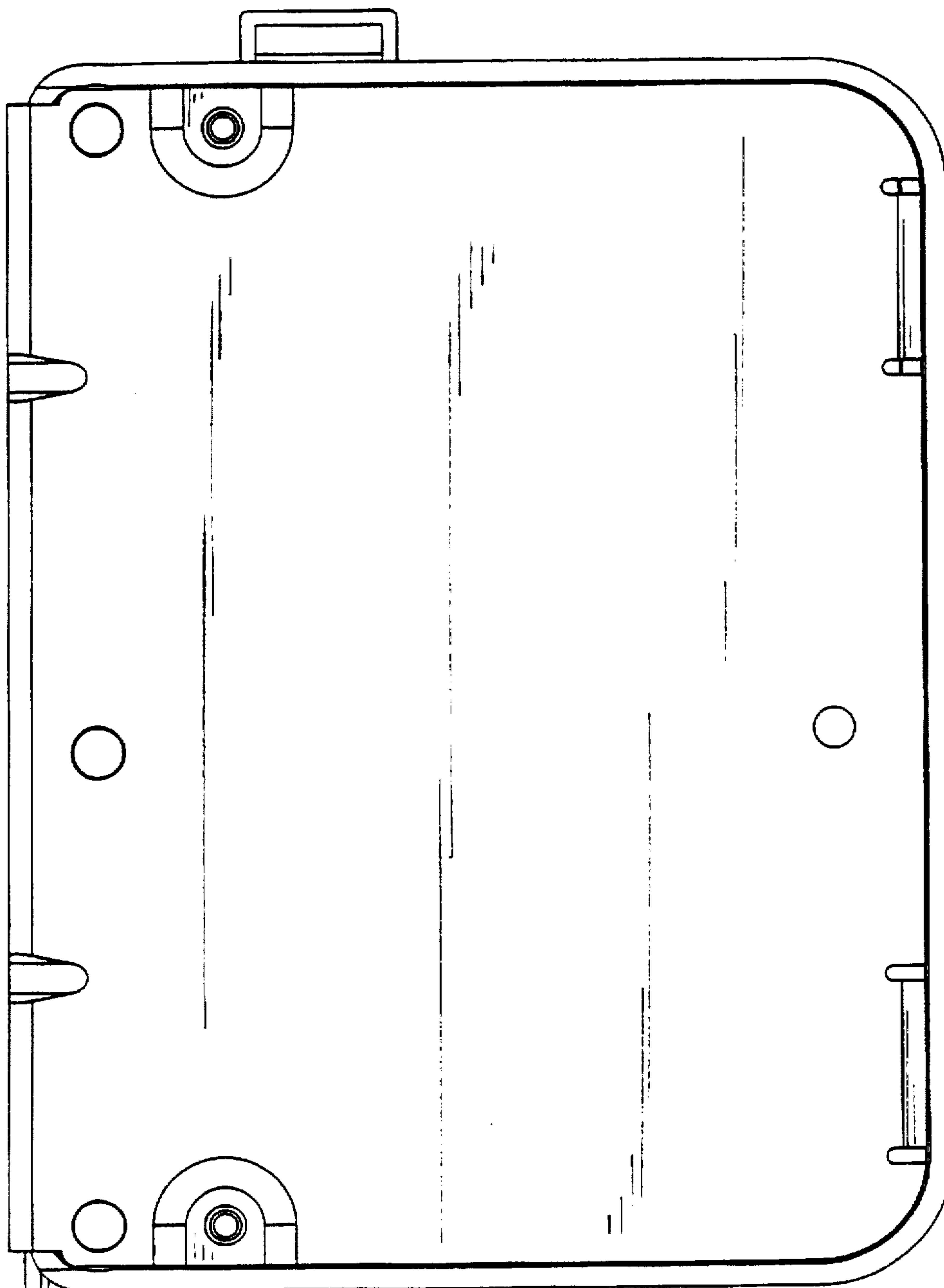


FIG. 15