



US00D396447S

United States Patent [19]

Lloyd et al.

[11] Patent Number: **Des. 396,447**

[45] Date of Patent: ****Jul. 28, 1998**

[54] **BATTERY CHARGER FOR A PORTABLE RADIO TELEPHONE**

D. 368,892 4/1996 Tanaka D13/108
D. 378,911 4/1997 Nagele et al. D13/108

[75] Inventors: **Grant H. Lloyd; John E. Herrmann; John D. Bean**, all of Lawrenceville, Ga.

Primary Examiner—Joel Sincavage
Attorney, Agent, or Firm—Felipe J. Farley; Kelly A. Gardner

[73] Assignee: **Motorola, Inc.**, Schaumburg, Ill.

[57] **CLAIM**

[**] Term: **14 Years**

The ornamental design for a battery charger for a portable radio telephone, as shown and described.

[21] Appl. No.: **60,032**

DESCRIPTION

[22] Filed: **Sep. 20, 1996**

FIG. 1 is a front, top right isometric view of a battery charger in accordance with our new design;
FIG. 2 is a front elevational view thereof;
FIG. 3 is a top, rear, left isometric view thereof;
FIG. 4 is a rear elevational view thereof;
FIG. 5 is a top plan view thereof;
FIG. 6 is a right side elevational view thereof;
FIG. 7 is a left side elevational view thereof; and,
FIG. 8 is a bottom plan view thereof.

[51] **LOC (6) Cl.** **13-02**

[52] **U.S. Cl.** **D13/107**

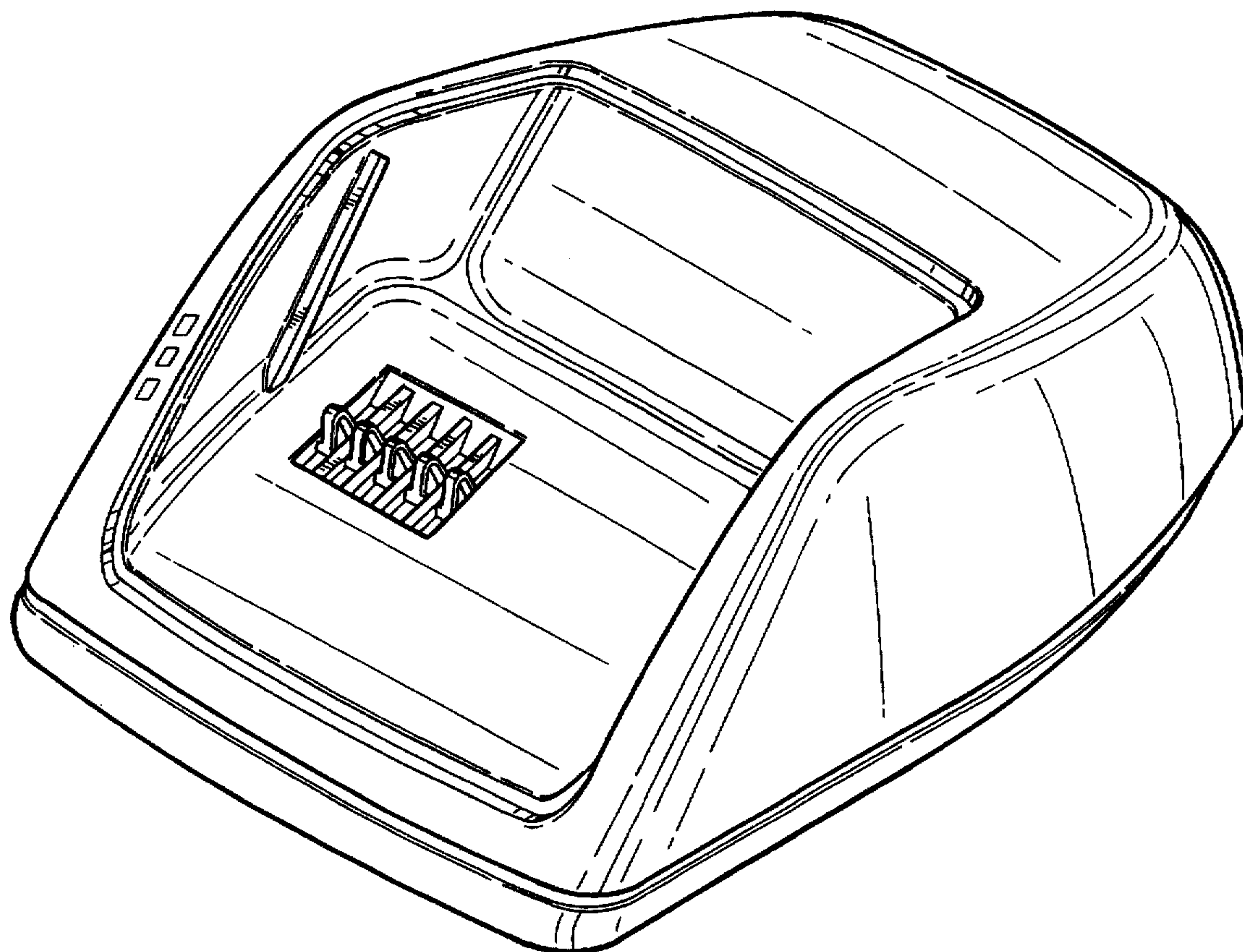
[58] **Field of Search** **D13/107, 108; 320/2, 3, 4, 15**

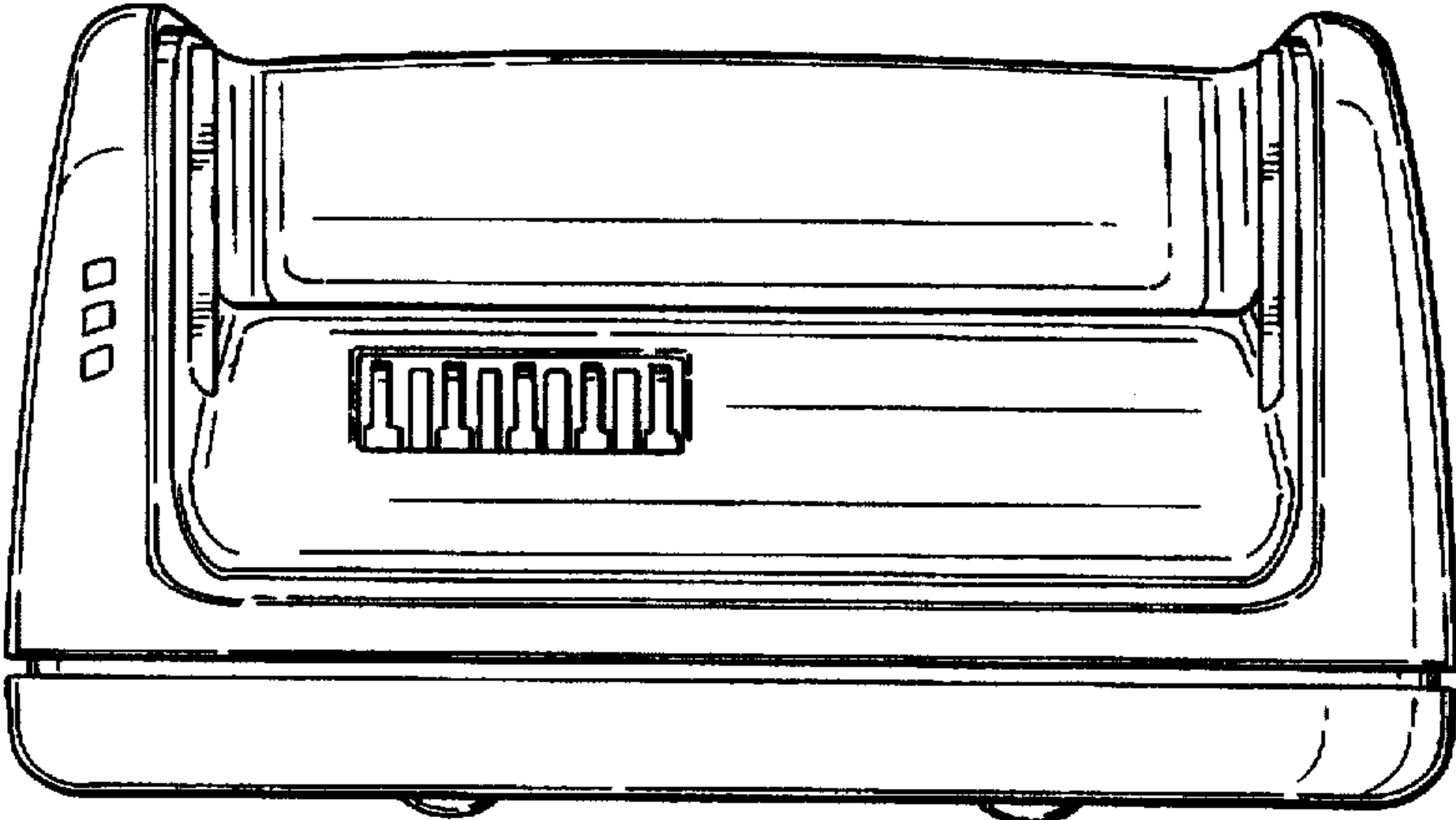
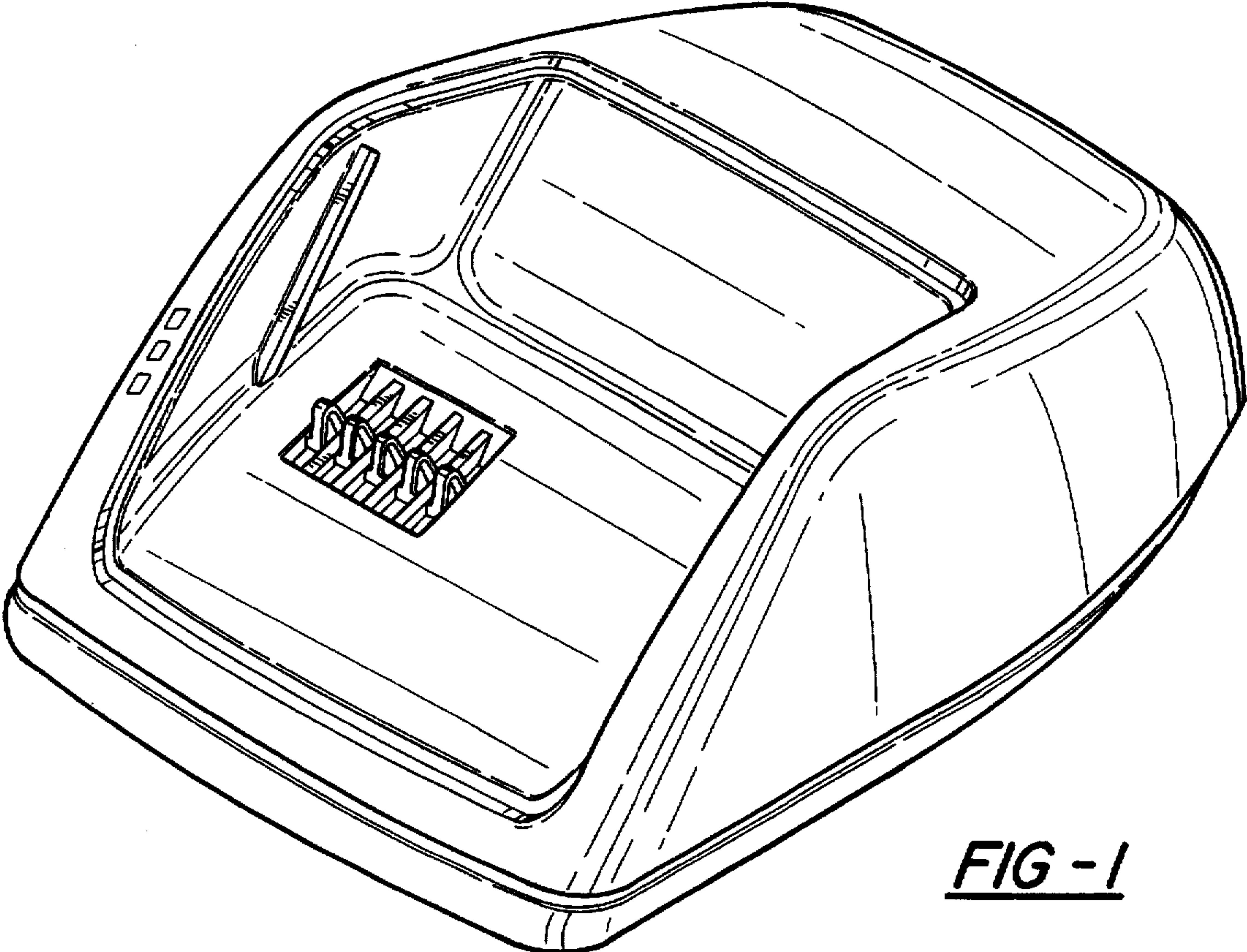
[56] **References Cited**

U.S. PATENT DOCUMENTS

D. 353,131 12/1994 Nagele D13/107
D. 368,098 3/1996 Su D13/108

1 Claim, 4 Drawing Sheets





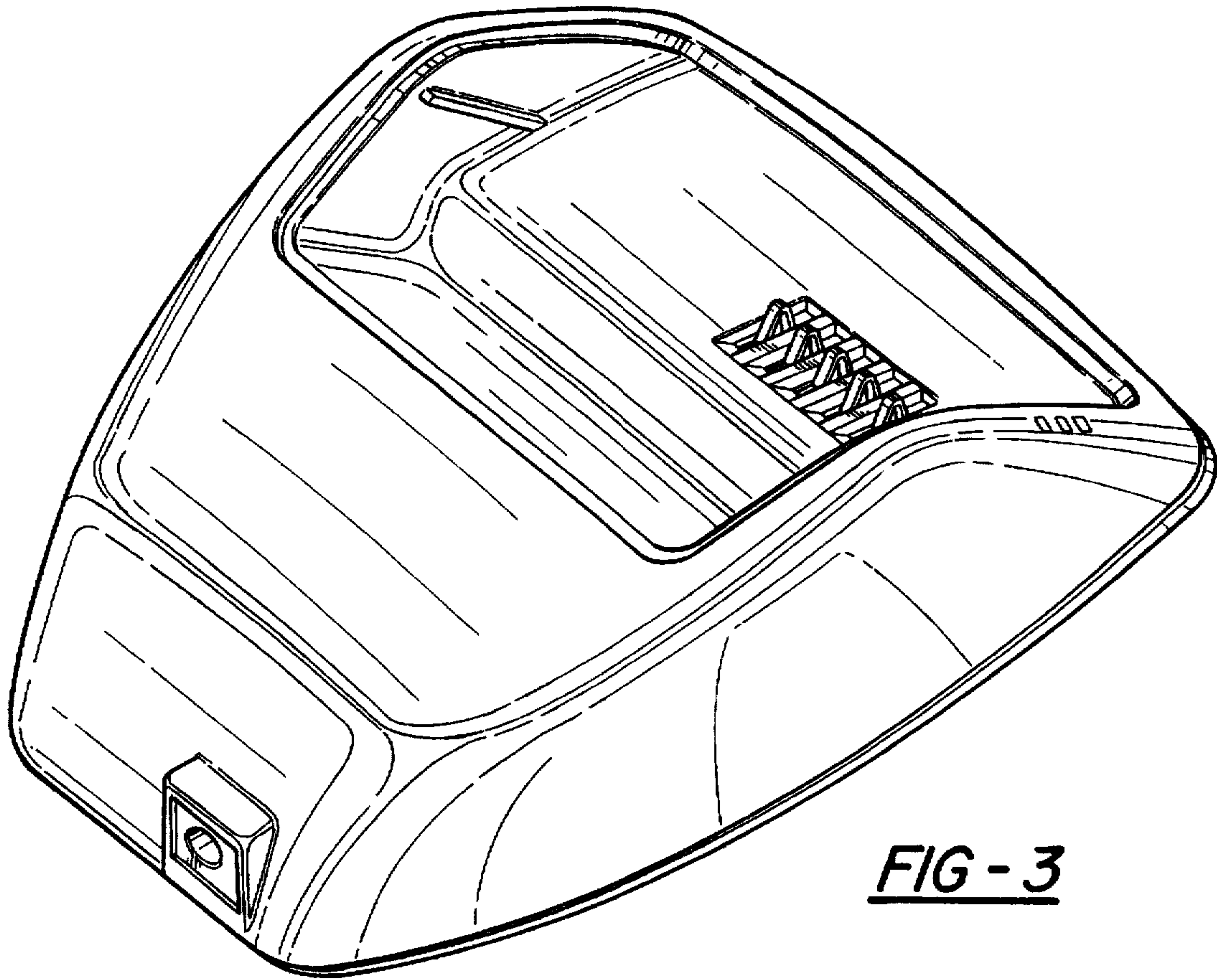


FIG - 3

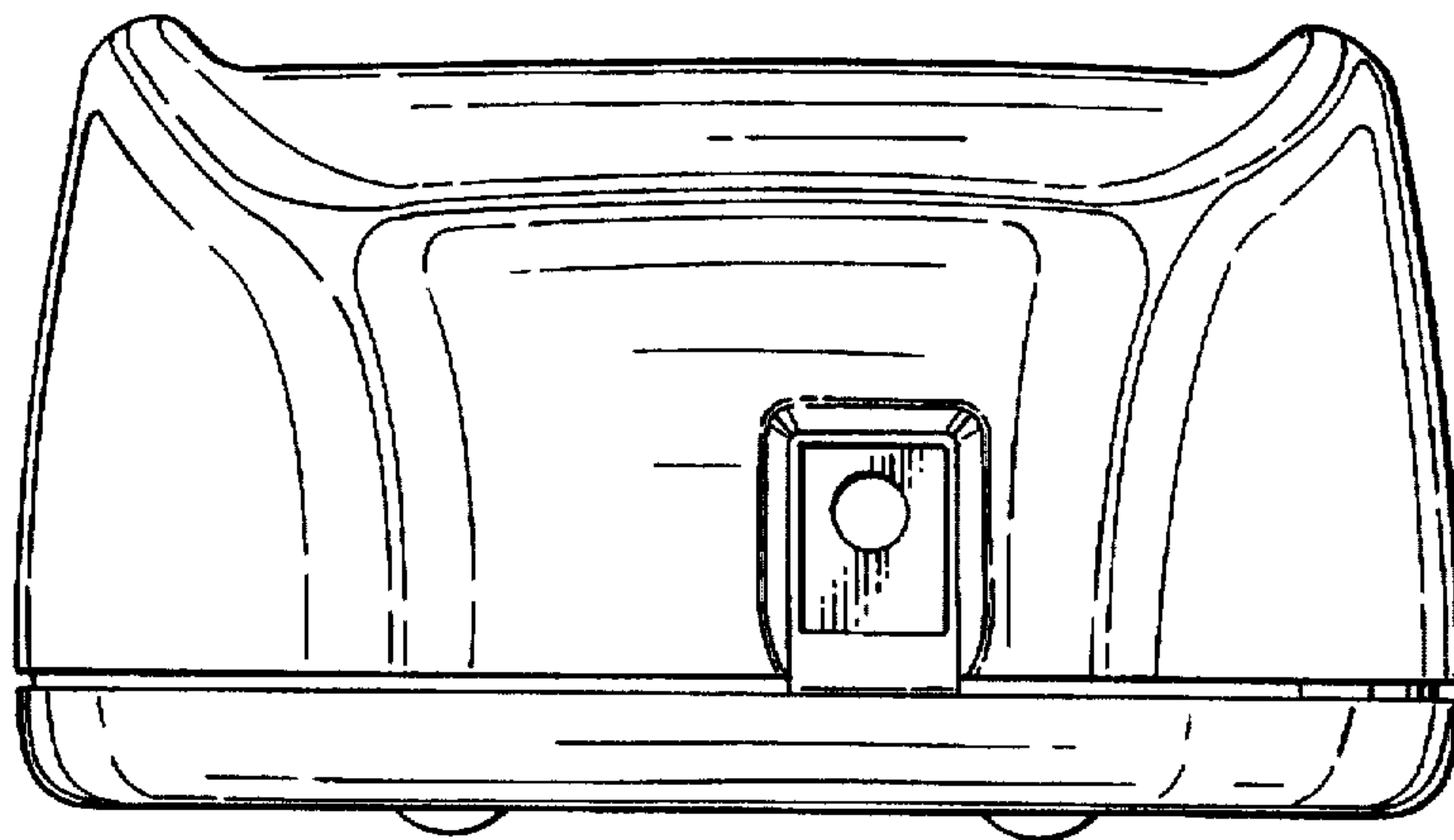


FIG - 4

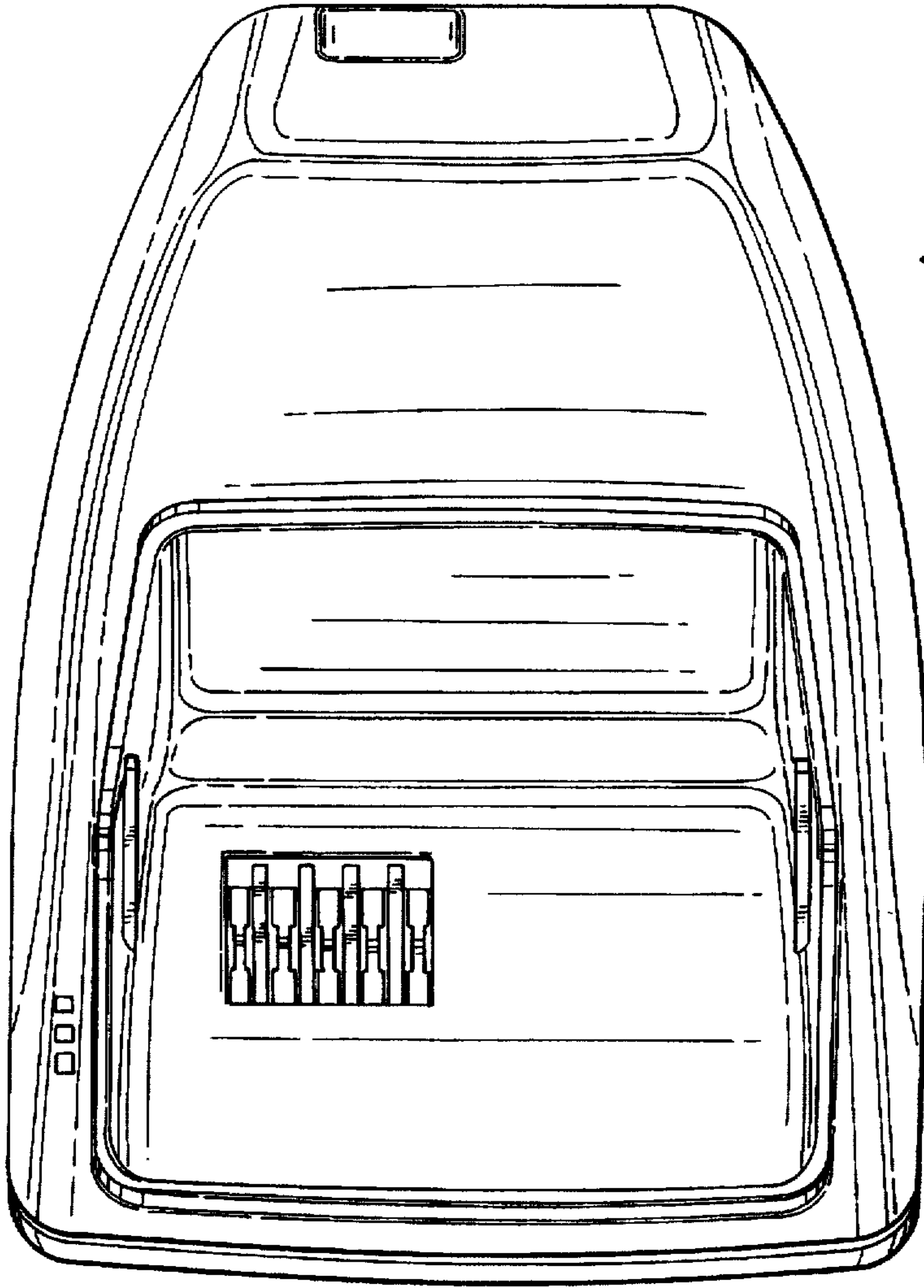


FIG-5

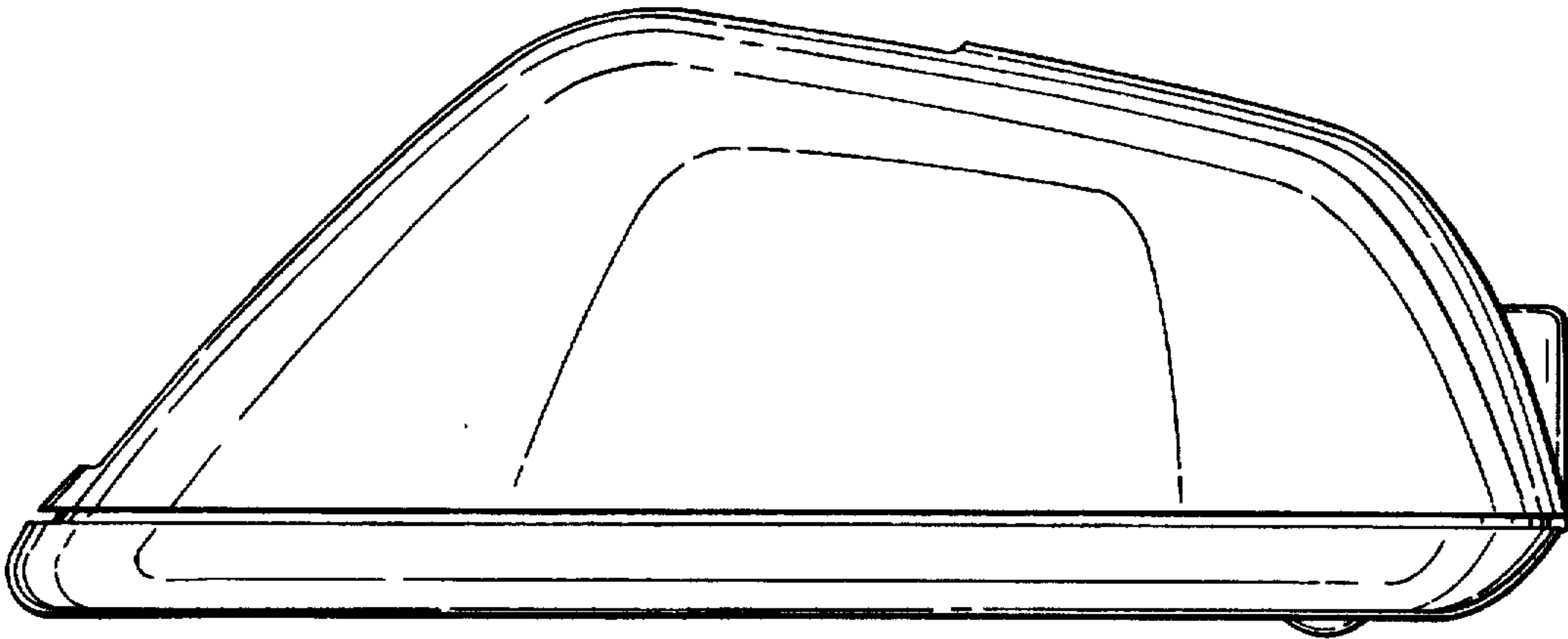


FIG-6

FIG-7

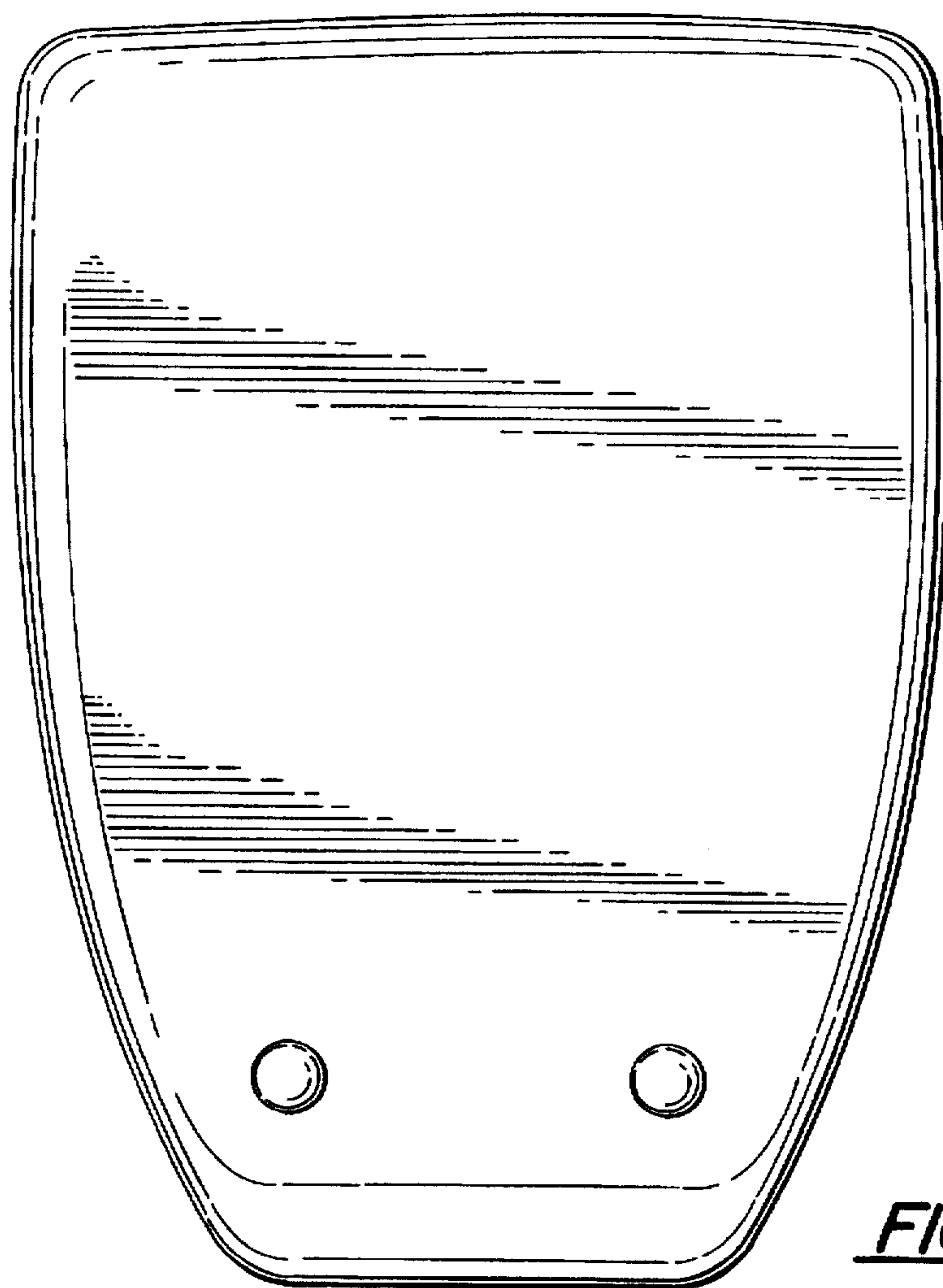
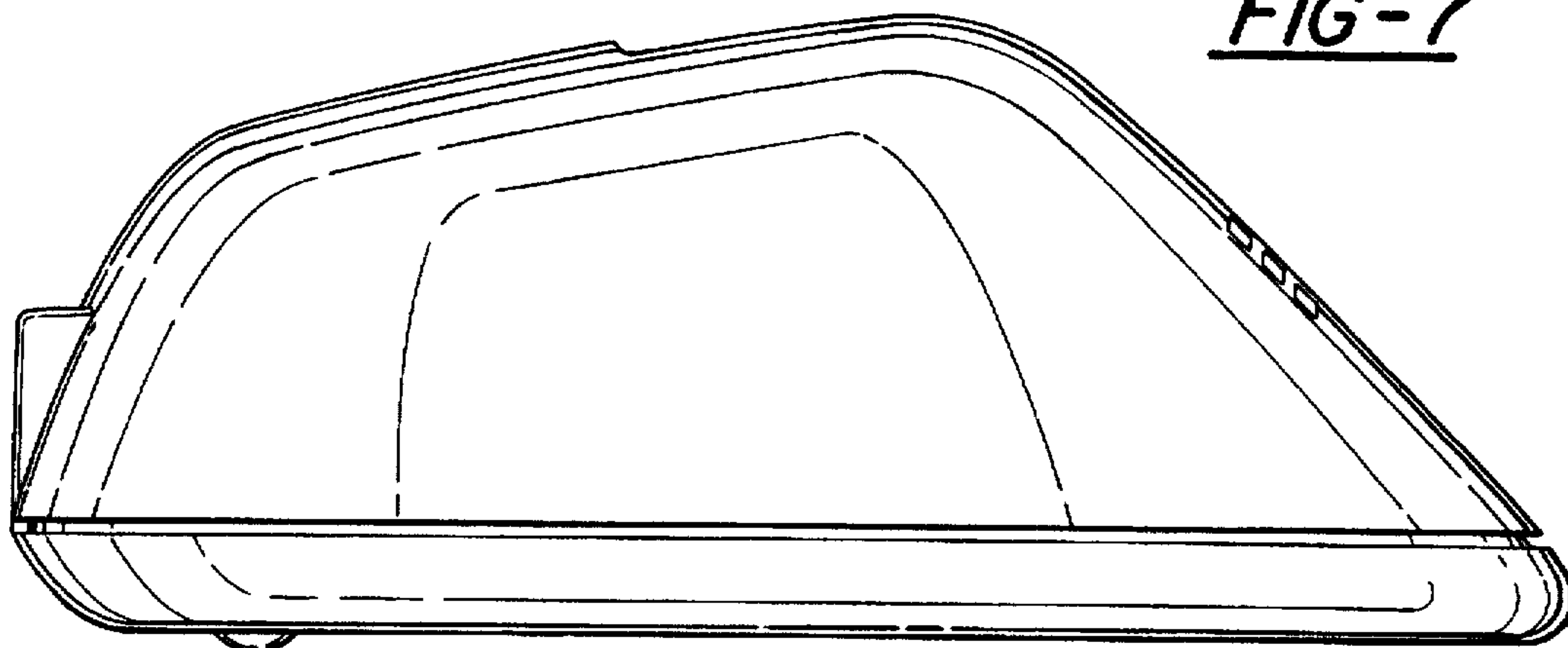


FIG-8