



US00D396435S

**United States Patent** [19]  
**Favereaux, Sr.**

[11] **Patent Number:** **Des. 396,435**  
[45] **Date of Patent:** **\*\*Jul. 28, 1998**

[54] **TWO-WHEELED VEHICLE KICKSTAND SUPPORT PAD**

[76] **Inventor:** **Mark L. Favereaux, Sr.**, 1241½ First Ave., Hellertown, Pa. 18055

[\*\*] **Term:** **14 Years**

[21] **Appl. No.:** **73,394**

[22] **Filed:** **Jul. 10, 1997**

[51] **LOC (6) Cl.** ..... **12-11**

[52] **U.S. Cl.** ..... **D12/120**

[58] **Field of Search** ..... **D12/120; 280/293, 280/301**

[56] **References Cited**

**U.S. PATENT DOCUMENTS**

D. 306,419	3/1990	Merritt	.....	D12/120
D. 348,861	7/1994	Thomas	.....	D12/120
4,768,800	9/1988	Johns	.....	280/293
4,869,453	9/1989	Newman	.....	248/552
4,971,347	11/1990	Cline	.....	280/301

*Primary Examiner*—Melody N. Brown

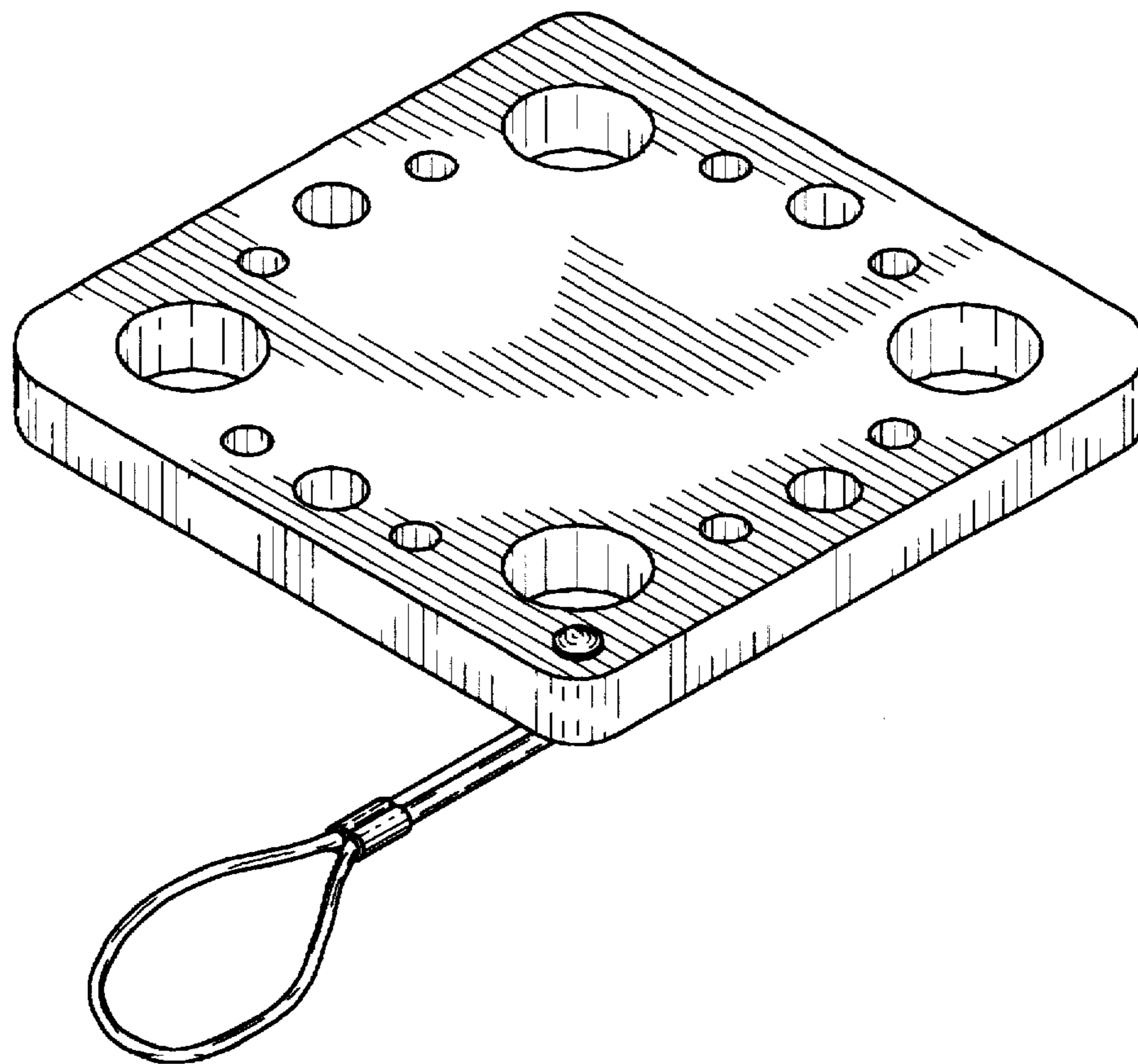
[57] **CLAIM**

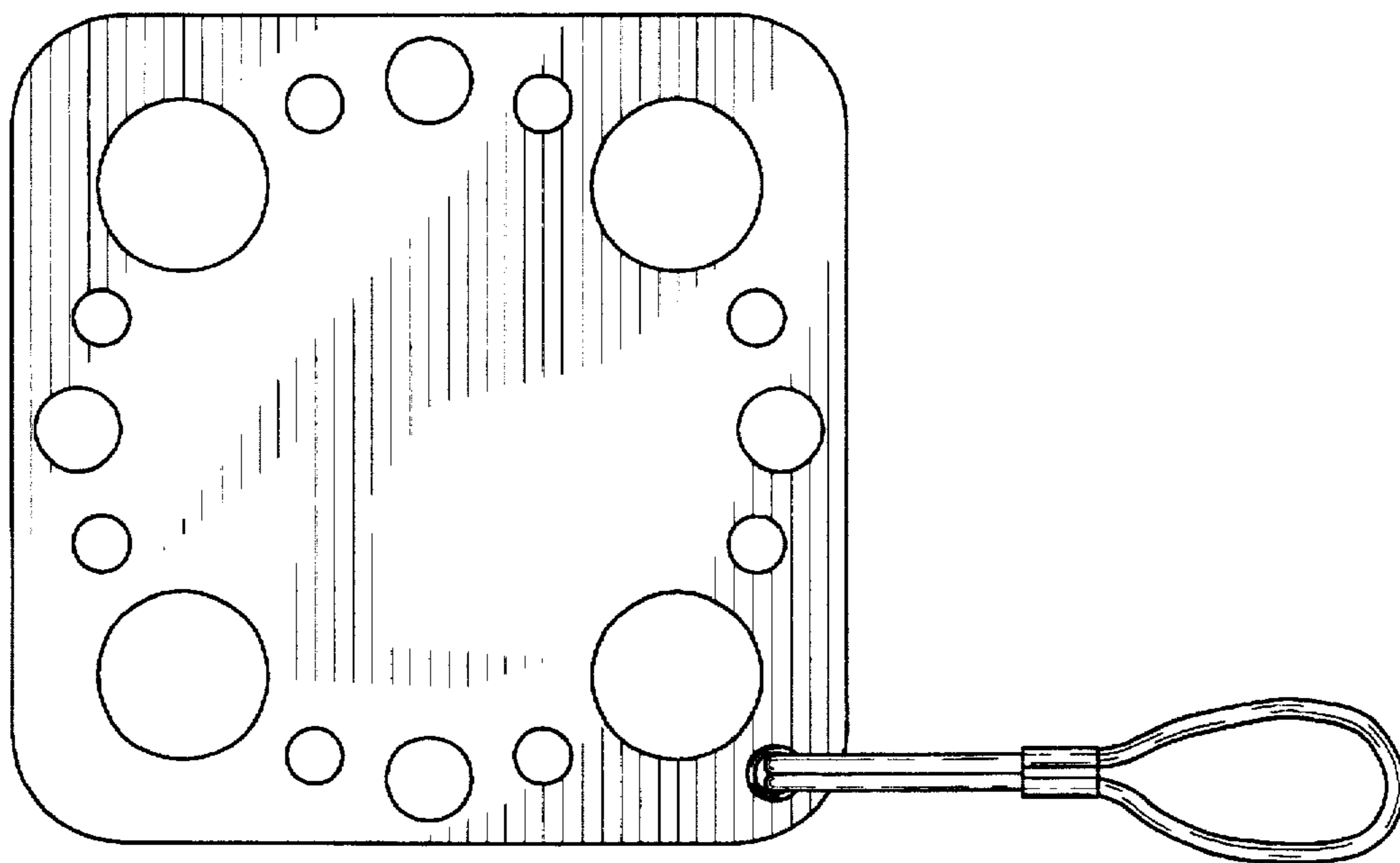
The ornamental design for a two-wheeled vehicle kickstand support pad, as shown.

**DESCRIPTION**

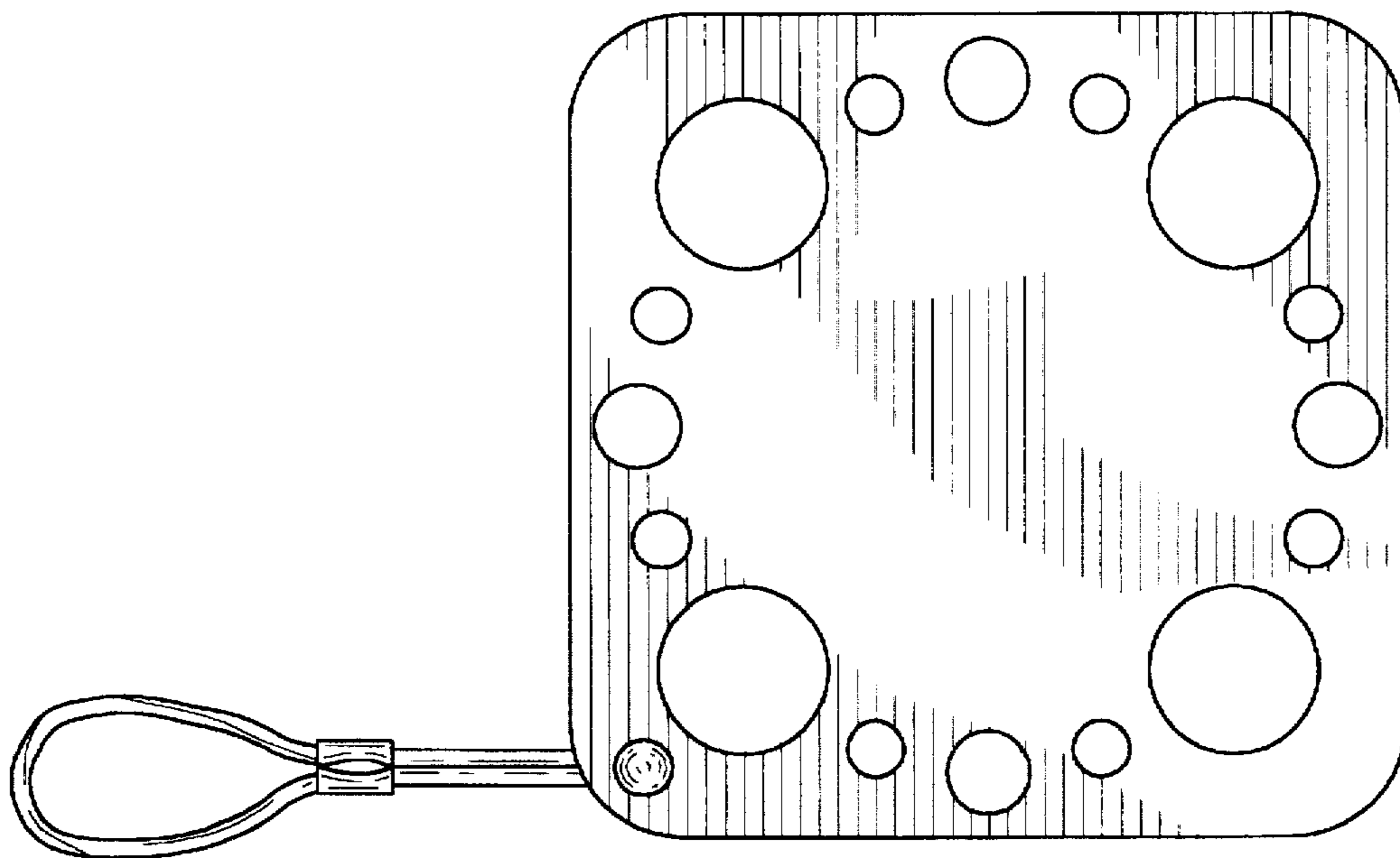
FIG. 1 is a bottom plan view of the two-wheeled vehicle kickstand support pad of the present invention;  
 FIG. 2 is a top plan view of the two-wheeled vehicle kickstand support pad of FIG. 1;  
 FIG. 3 is a left side plan view of the two-wheeled vehicle kickstand support pad of FIG. 1;  
 FIG. 4 is a right side plan view of the two-wheeled vehicle kickstand support pad of FIG. 1;  
 FIG. 5 is a front plan view of the two-wheeled vehicle kickstand support pad of FIG. 1;  
 FIG. 6 is a back plan view of the two-wheeled vehicle kickstand support pad of FIG. 1; and  
 FIG. 7 is a bottom, front, right side perspective view of the two-wheeled vehicle kickstand support pad of FIG. 1.

**1 Claim, 3 Drawing Sheets**

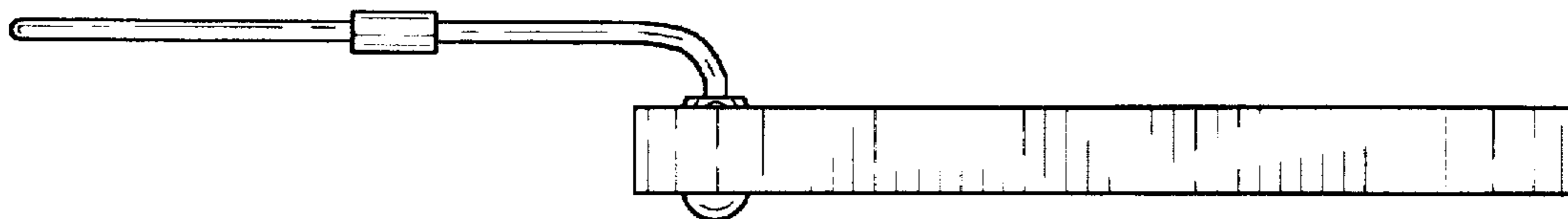




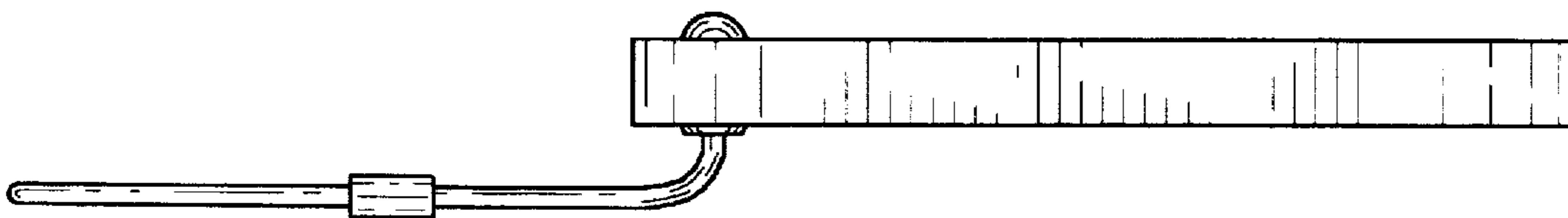
*Fig. 2*



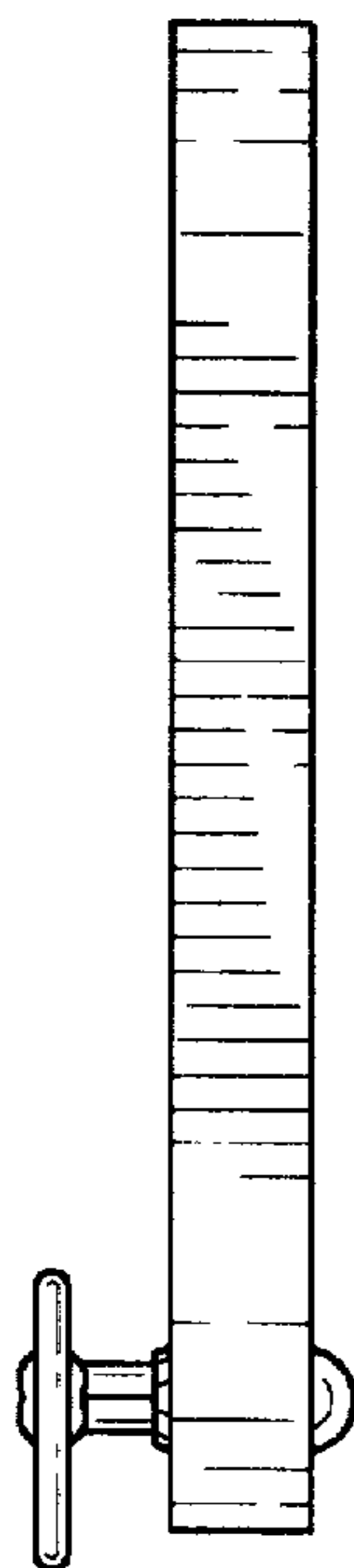
*Fig. 1*



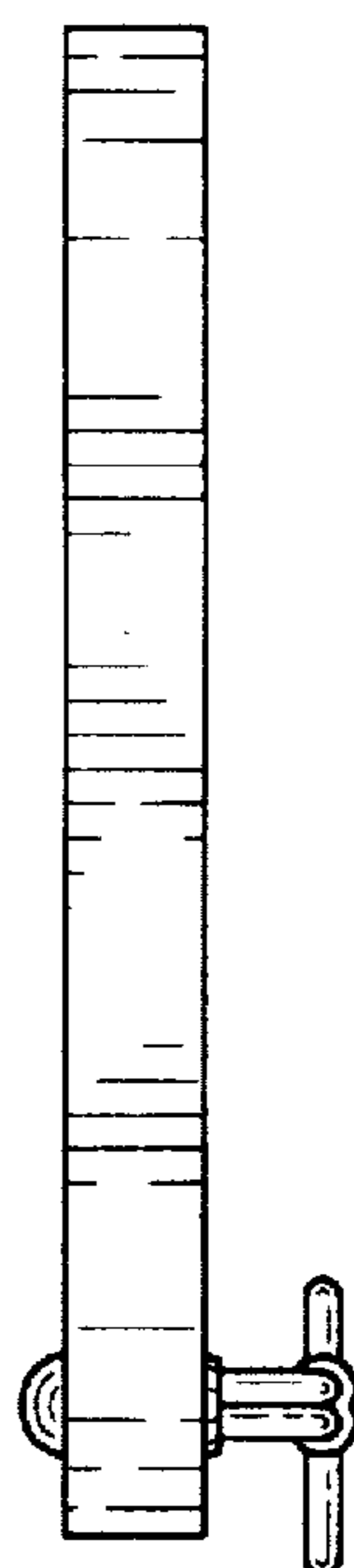
*Fig. 5*



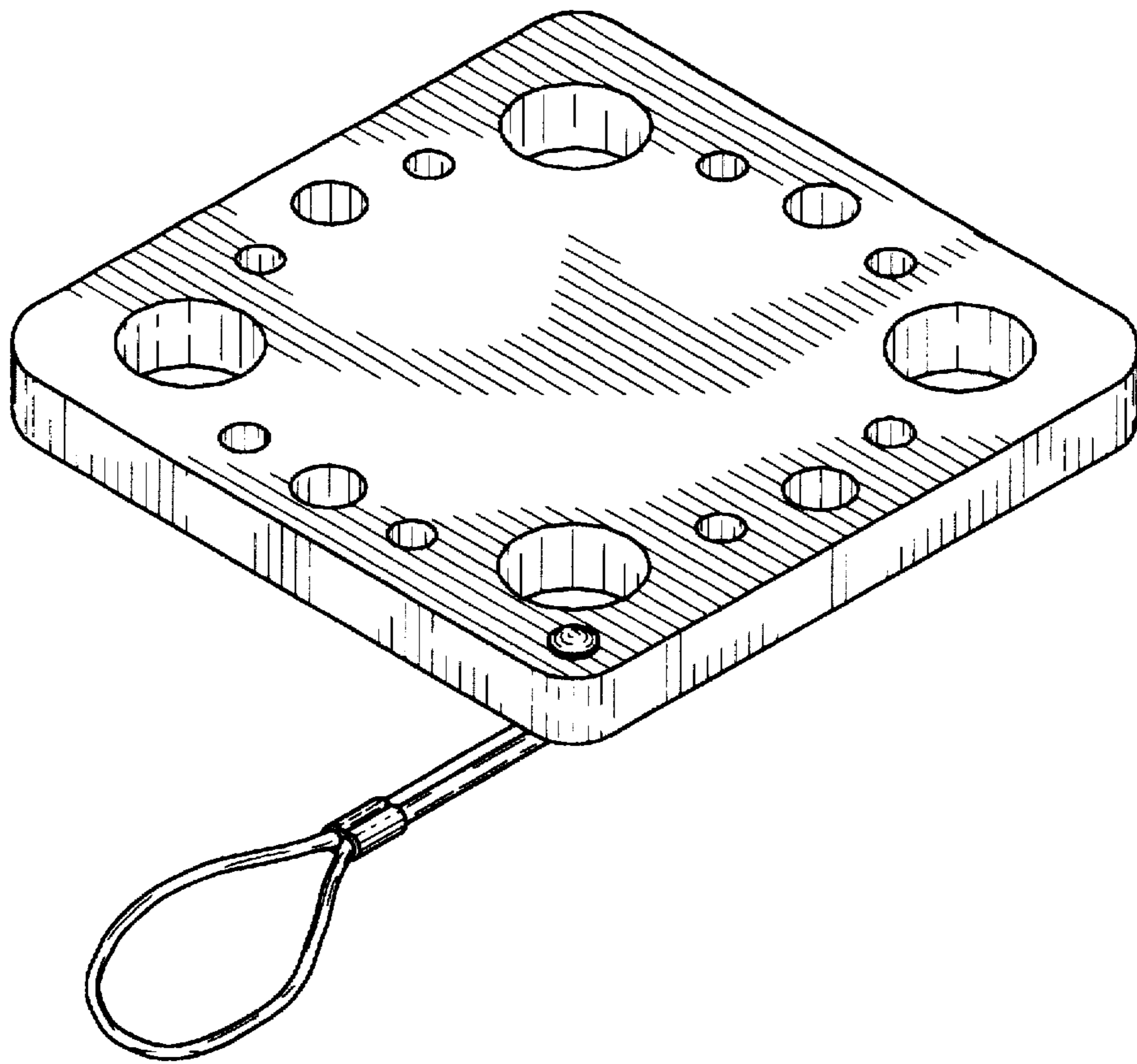
*Fig. 6*



*Fig. 3*



*Fig. 4*



*Fig. 7*