



US00D396427S

**United States Patent** [19]  
**Halligan**

[11] **Patent Number:** **Des. 396,427**  
[45] **Date of Patent:** **\*\*Jul. 28, 1998**

[54] **HANDS FOR A TIMEPIECE**

[76] **Inventor:** **Bryan J. Halligan**, 3237 NE. 100th St.,  
Seattle, Wash. 98125

[\*\*] **Term:** **14 Years**

[21] **Appl. No.:** **61,516**

[22] **Filed:** **Oct. 25, 1996**

**Related U.S. Application Data**

[63] Continuation-in-part of Ser. No. 60,728, Oct. 4, 1996, abandoned.

[51] **LOC (6) Cl.** ..... **10-01**

[52] **U.S. Cl.** ..... **D10/127; D99/27**

[58] **Field of Search** ..... **D10/122-126,**  
**D10/1-40; 368/228, 238, 232, 285; D99/27**

[56] **References Cited**

**U.S. PATENT DOCUMENTS**

- D. 1,570 4/1862 Makin ..... D99/27
- D. 21,290 1/1892 Longenhelt ..... D10/126 X
- D. 39,211 3/1908 Murphy ..... D99/27
- D. 135,610 5/1943 Calnan ..... D99/27
- D. 163,729 6/1951 Zapol ..... D10/124
- D. 179,315 11/1956 Pitrelli ..... D10/6

D. 233,851 12/1974 Miramon ..... D10/123  
2,650,445 9/1953 Randall ..... D99/27 X

*Primary Examiner*—Nelson C. Holtje  
*Attorney, Agent, or Firm*—Janet Sleath

[57] **CLAIM**

A ornamental design for hands for a timepiece, as described above and shown.

**DESCRIPTION**

FIG. 1 is a front elevational view of an alternative embodiment of the design of the invention illustrating hands for a timepiece;

FIG. 2 is an end view thereof;

FIG. 3 is a front elevational view of an alternative embodiment of the design of the invention illustrating hands for a timepiece;

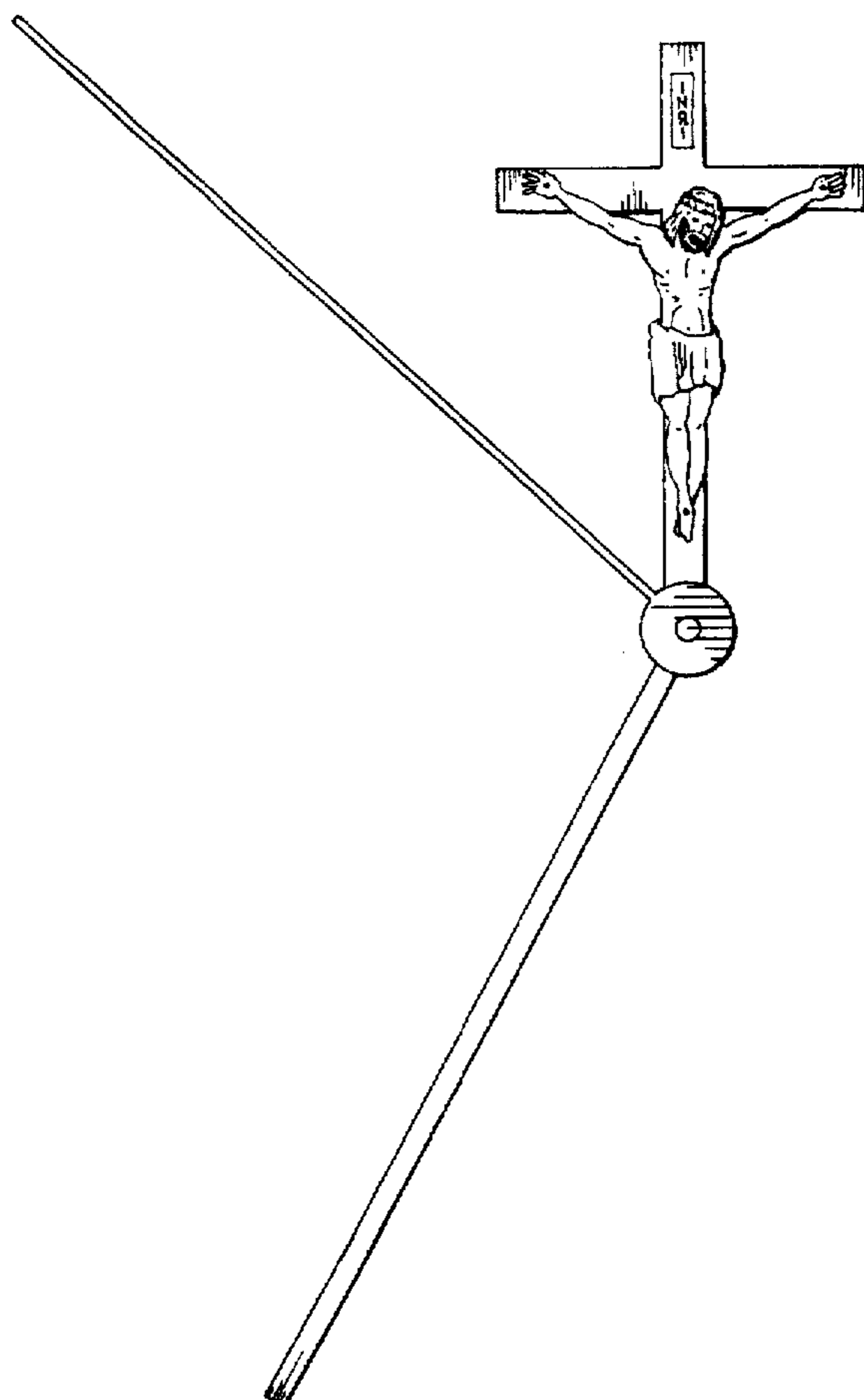
FIG. 4 is an end view thereof;

FIG. 5 is a front elevational view of an alternative embodiment of the design of the invention illustrating hands for a timepiece; and,

FIG. 6 is an end view thereof.

The broken-line drawings of FIGS. 1 through 6 are for illustrative purposes only and form no part of the claimed design.

**1 Claim, 3 Drawing Sheets**



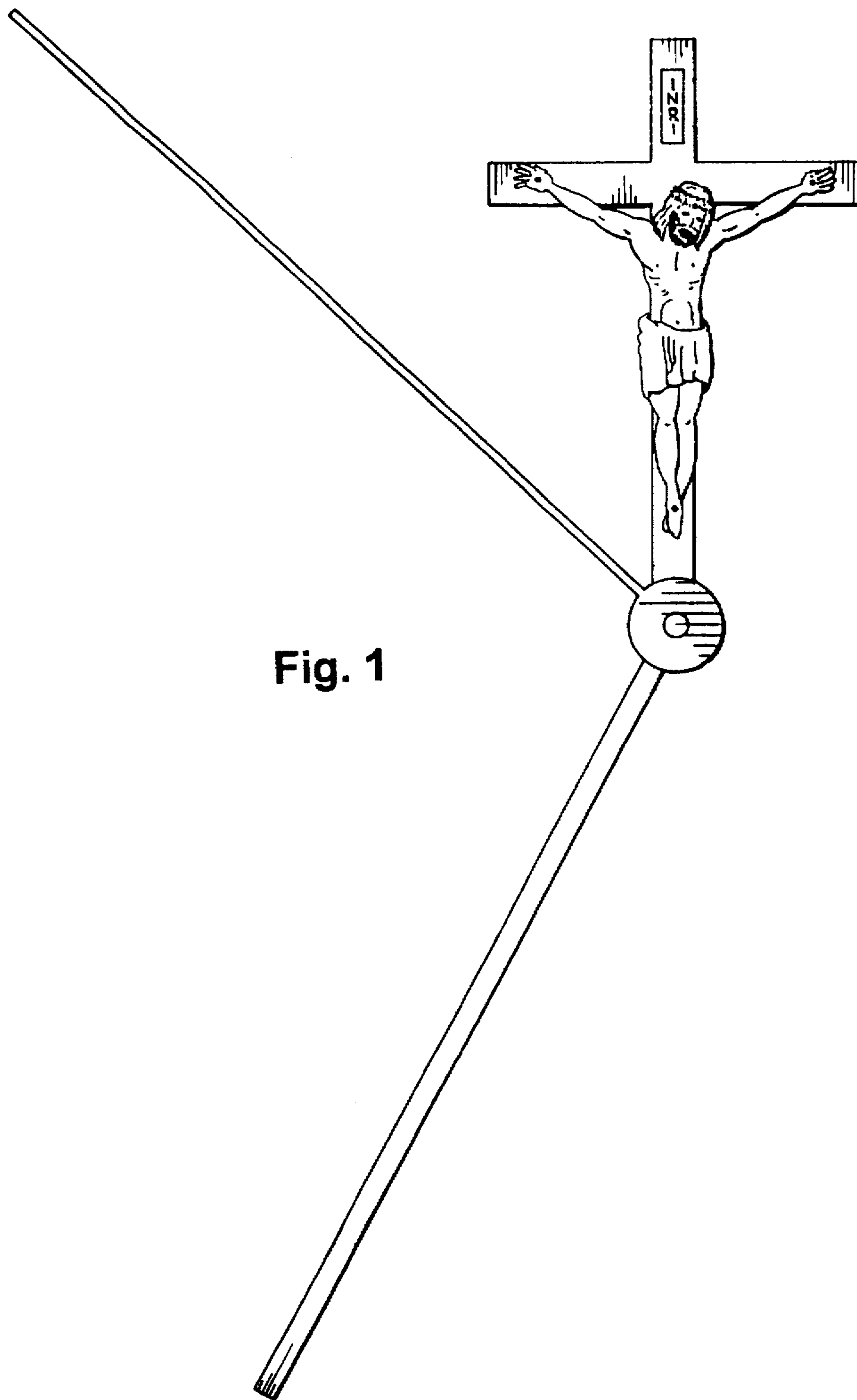


Fig. 1



Fig. 2

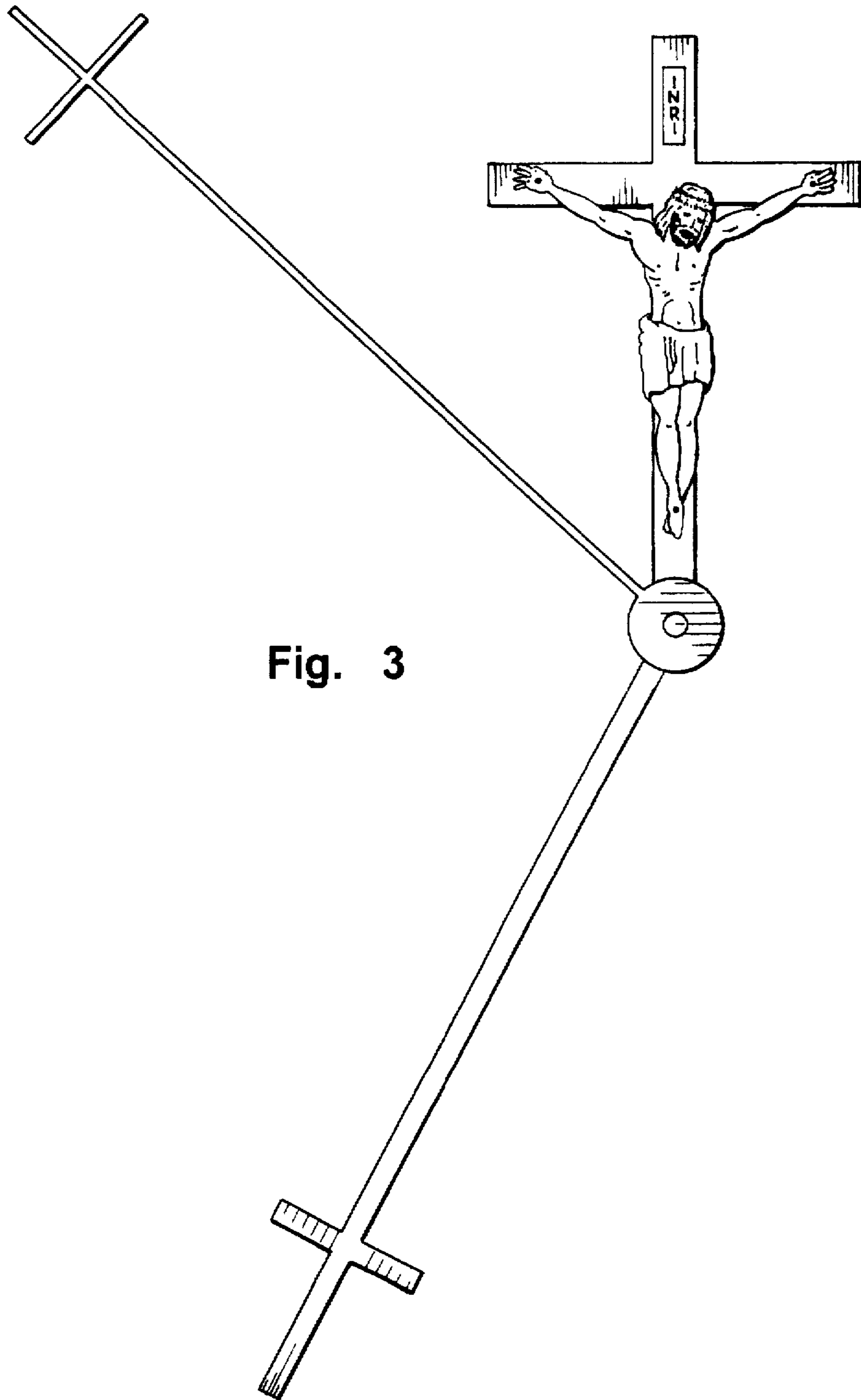


Fig. 3

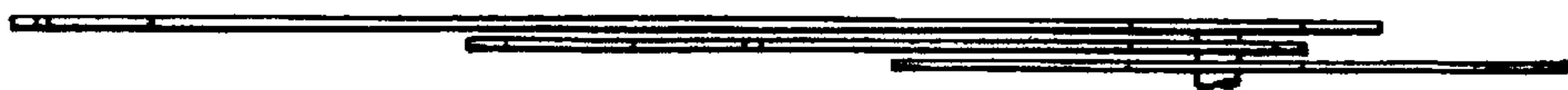


Fig. 4

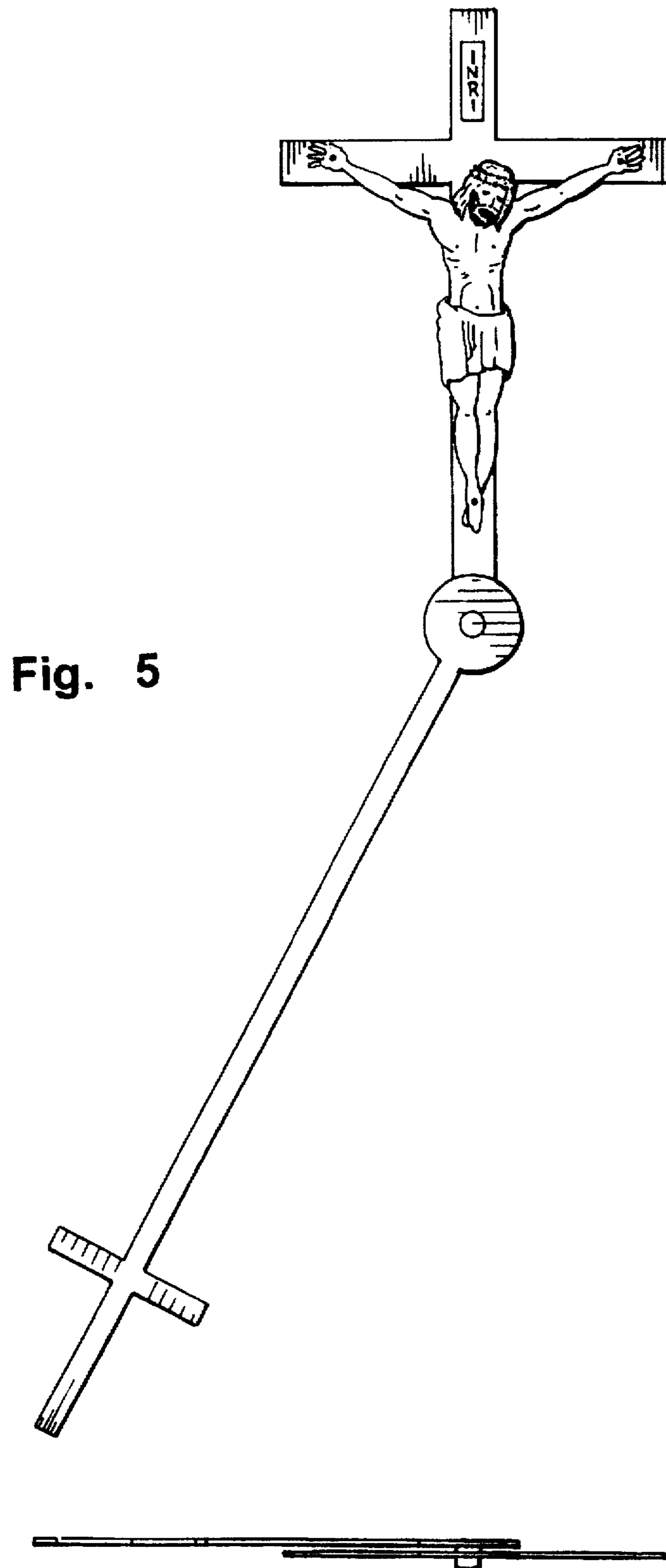


Fig. 5

Fig. 6