



US00D396425S

# United States Patent [19] Ratner

[11] Patent Number: **Des. 396,425**

[45] Date of Patent: **\*\*Jul. 28, 1998**

[54] **HOUSING FOR A BATTERY TESTER**

[75] Inventor: **Jeff Ratner**, Pinellas Park, Fla.

[73] Assignee: **Mercury Enterprises, Inc.**, Clearwater, Fla.

[\*\*] Term: **14 Years**

[21] Appl. No.: **80,937**

[22] Filed: **Dec. 19, 1997**

[51] LOC (6) Cl. .... **10-04**

[52] U.S. Cl. .... **D10/77**

[58] Field of Search ..... D10/77; 324/425-437;  
340/636; 429/90, 91

[56] **References Cited**

**U.S. PATENT DOCUMENTS**

|            |         |              |       |        |
|------------|---------|--------------|-------|--------|
| D. 330,338 | 10/1992 | Wang         | ..... | D10/77 |
| D. 330,519 | 10/1992 | Wang         | ..... | D10/77 |
| 5,538,806  | 7/1996  | Weiss et al. | ..... | 429/90 |

*Primary Examiner*—Antoine Duval Davis  
*Attorney, Agent, or Firm*—Larson & Larson, P.A.; James E. Larson

[57] **CLAIM**

The ornamental design for a housing for a battery tester, as shown and described.

**DESCRIPTION**

FIG. 1 is a perspective view of a housing for a battery tester, showing my new design;

FIG. 2 is a front view thereof;

FIG. 3 is a rear view thereof;

FIG. 4 is a left side elevational thereof;

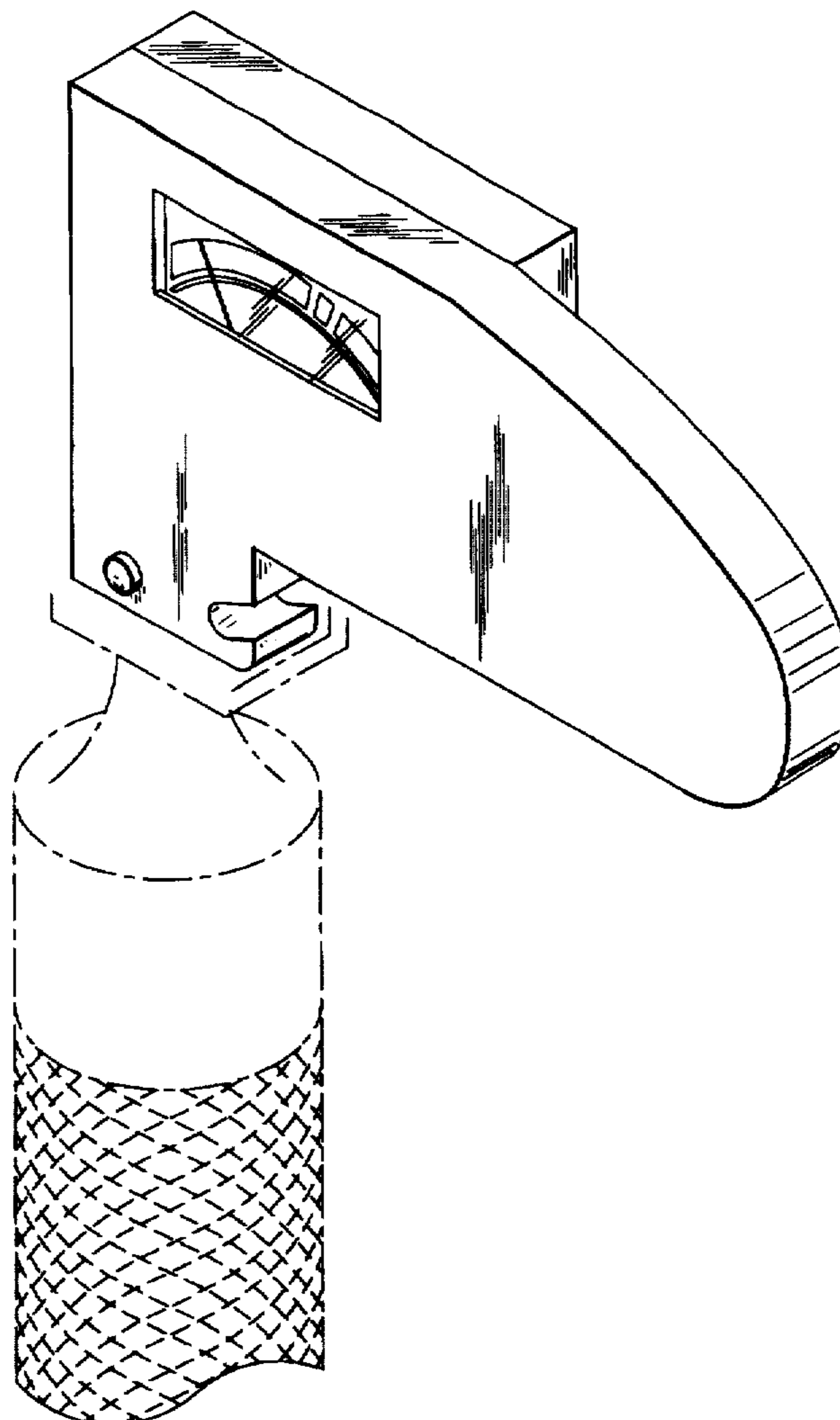
FIG. 5 is a right side elevational view thereof;

FIG. 6 is a top plan view thereof; and,

FIG. 7 is a bottom plan view thereof.

No claim is made to the handle portion depicted in FIG. 1 in broken lines.

**1 Claim, 3 Drawing Sheets**



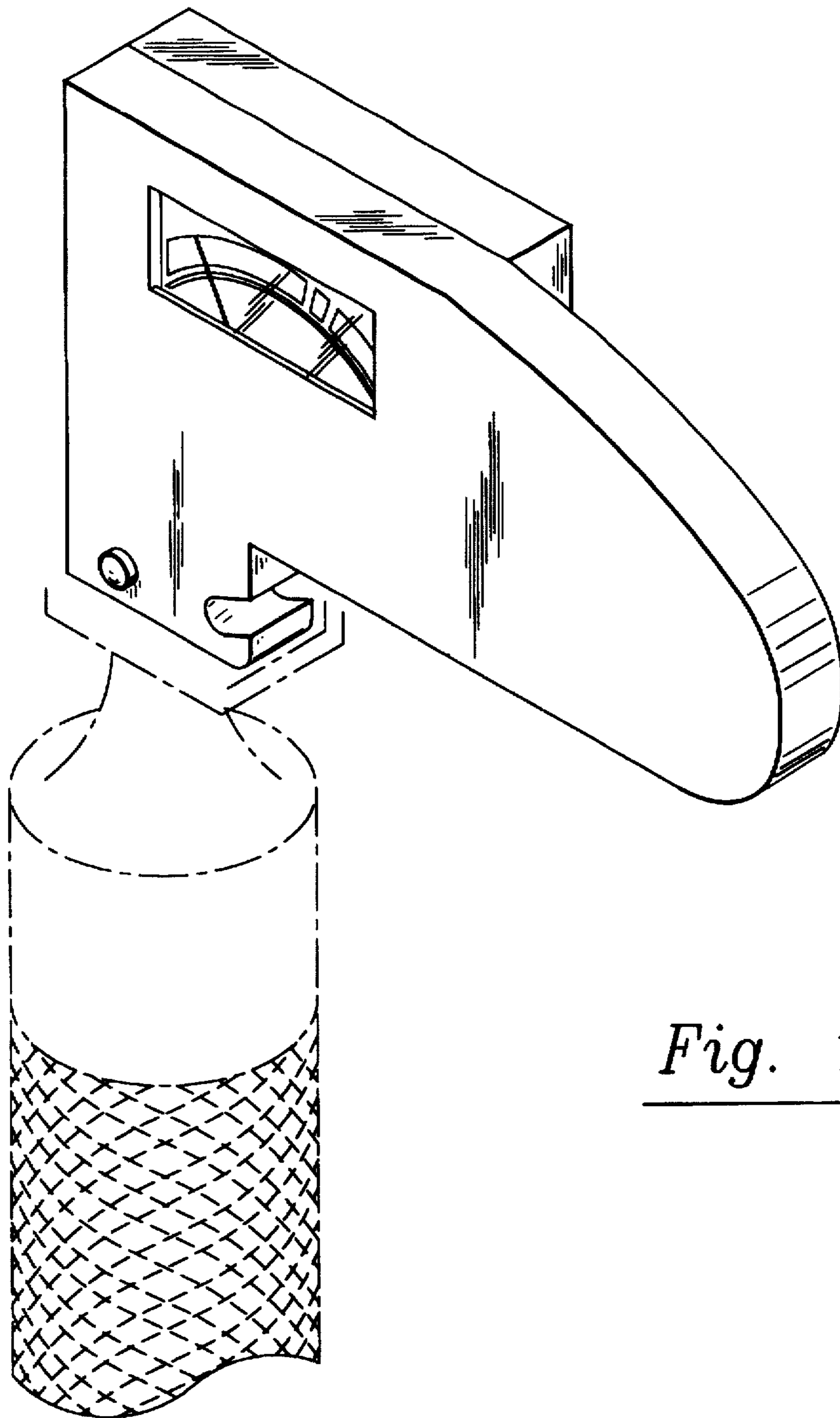


Fig. 1

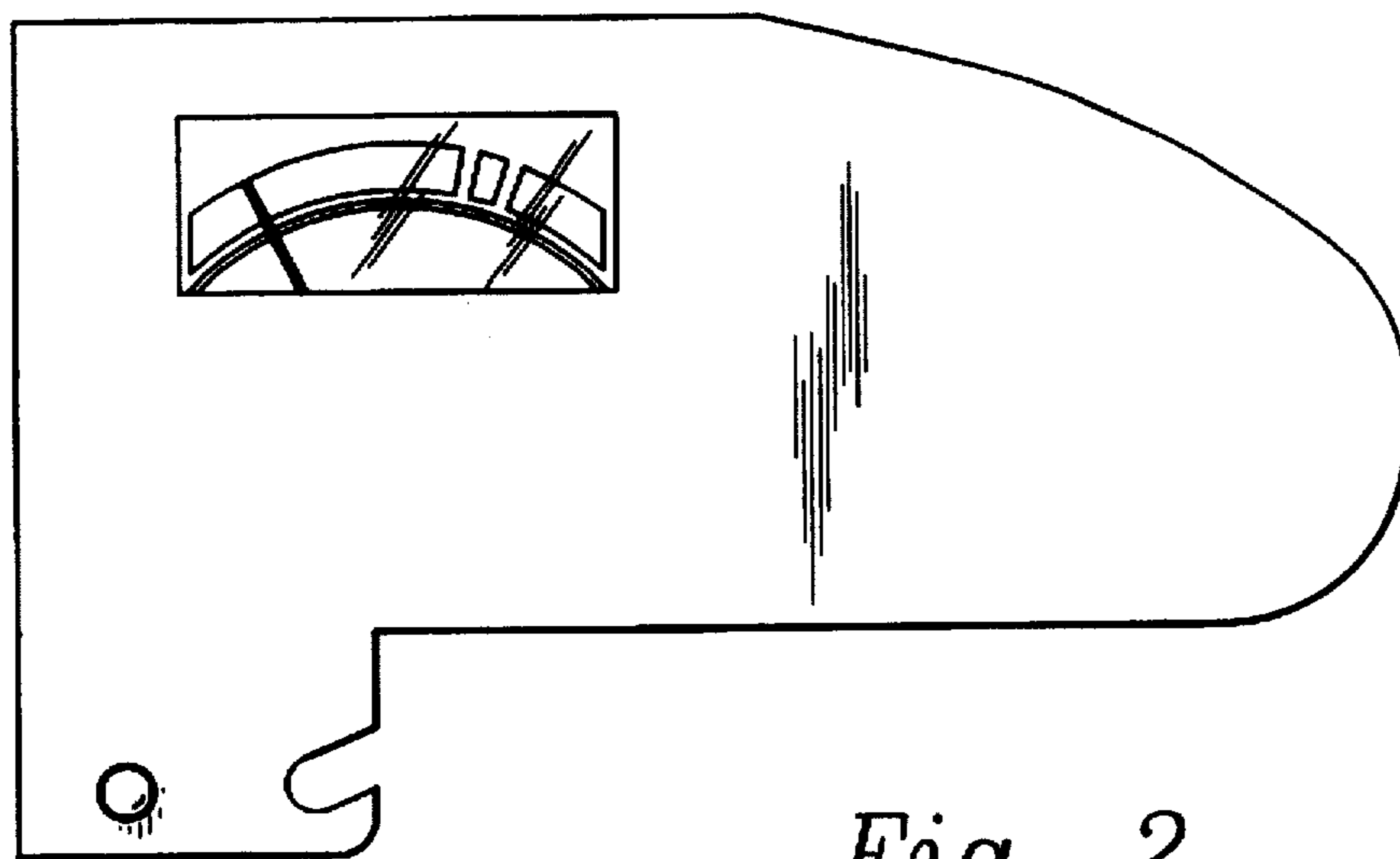


Fig. 2

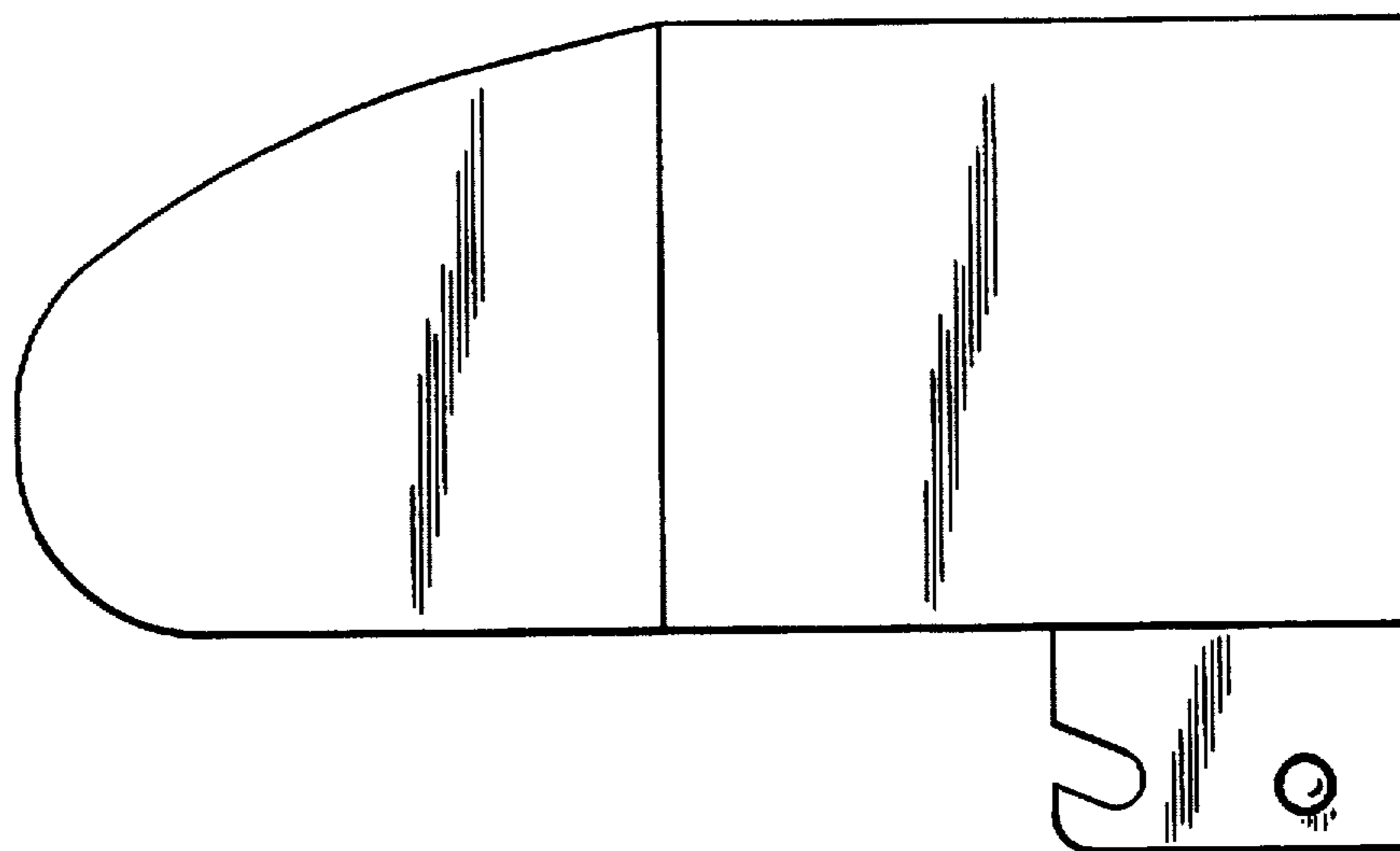


Fig. 3

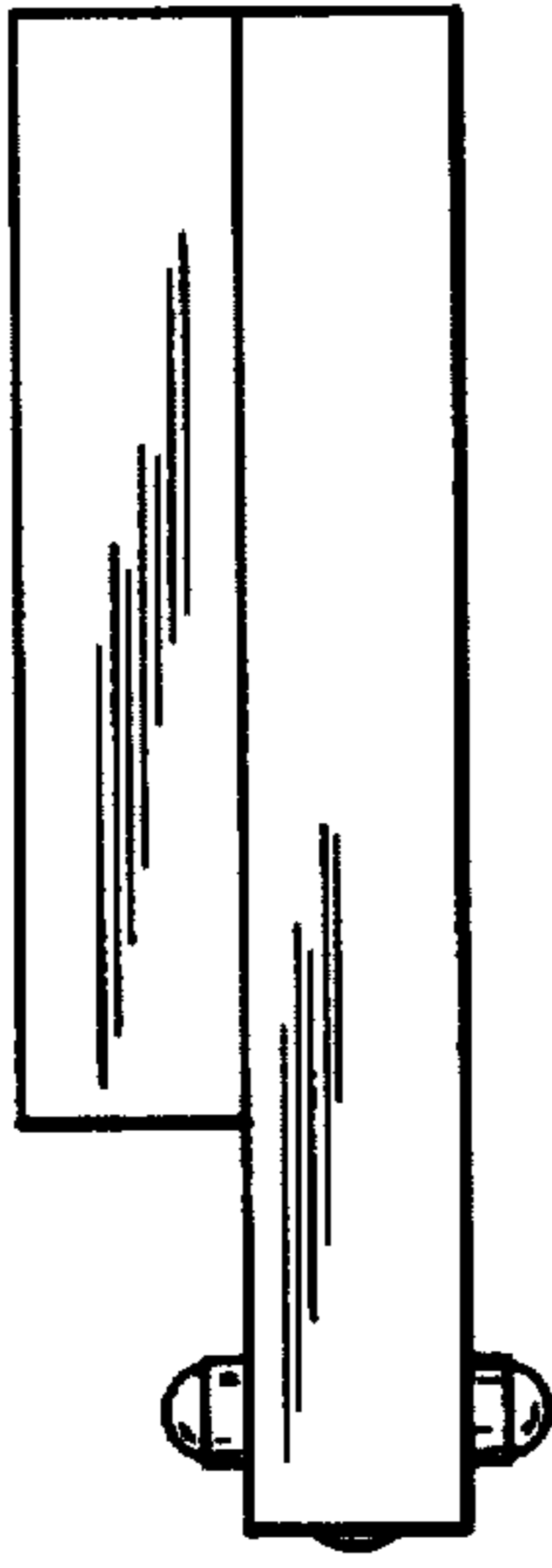


Fig. 4

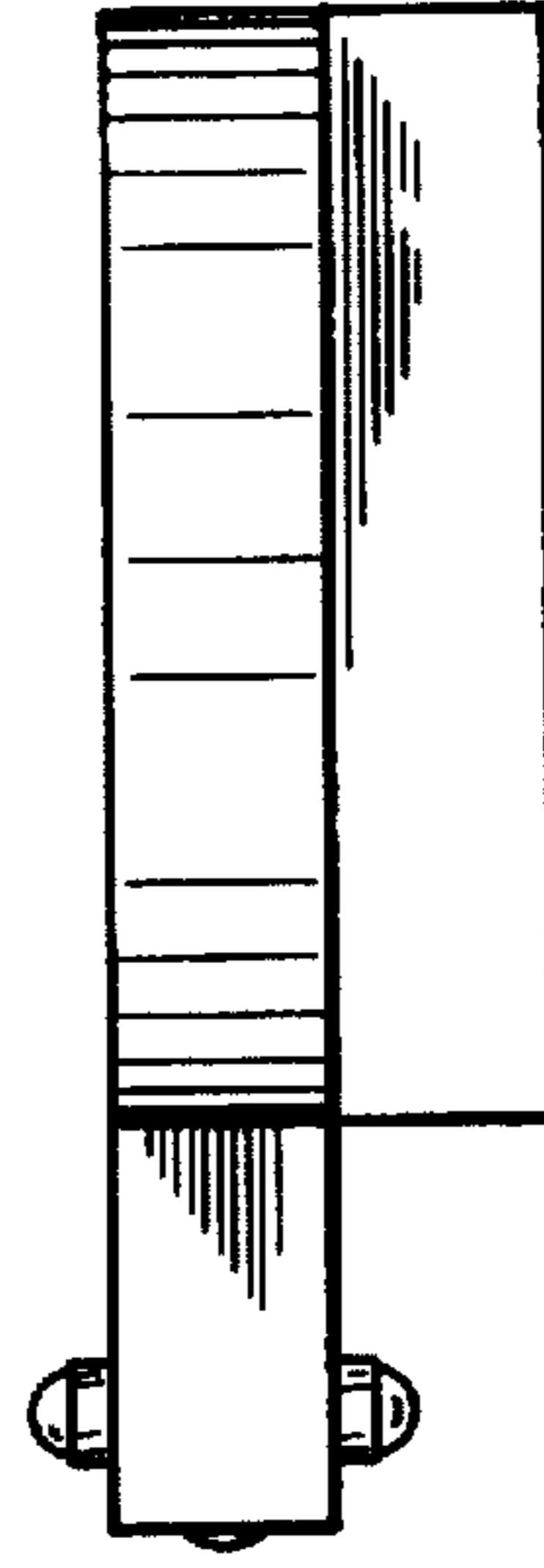


Fig. 5

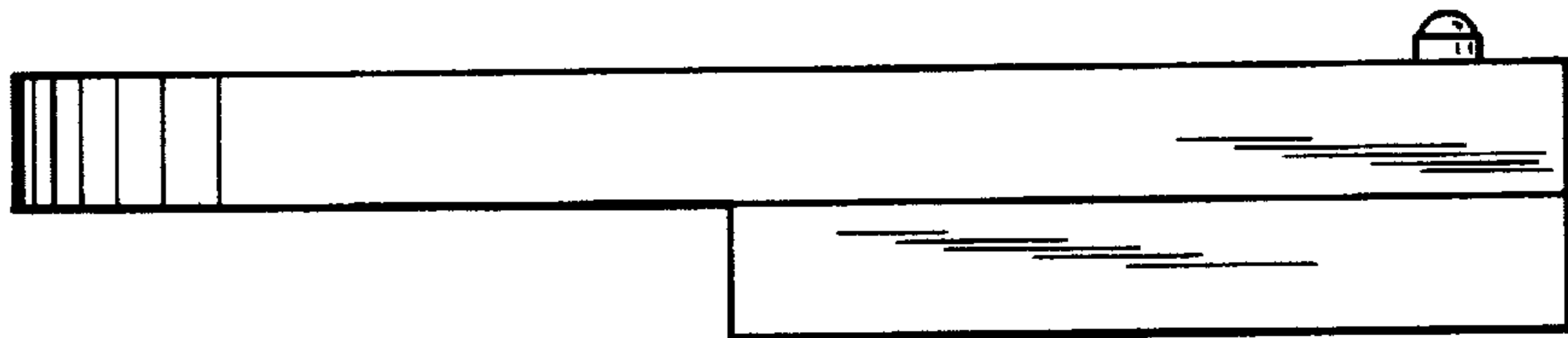


Fig. 6

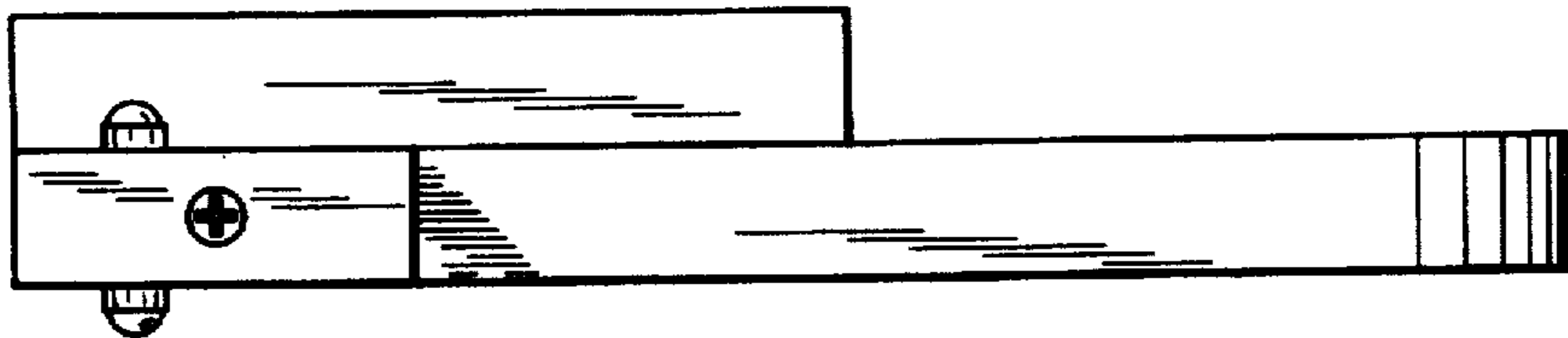


Fig. 7