



US00D396422S

# United States Patent [19]

Dietterich et al.

[11] Patent Number: Des. 396,422

[45] Date of Patent: \*\*Jul. 28, 1998

[54] **RULER WITH DRAWING CURVES**

[75] Inventors: **Charles W. Dietterich**, Brodheadsville, Pa.; **Stephen A. White**, Bloomsbury, N.J.; **Brett A. Wilson**, Durham, Pa.; **Richard A. Tarozzi**, Gales Ferry, Conn.

[73] Assignee: **Binney & Smith Inc.**, Easton, Pa.

[\*\*] Term: **14 Years**

[21] Appl. No.: **78,137**

[22] Filed: **Oct. 20, 1997**

[51] LOC (6) Cl. .... **10-04**

[52] U.S. Cl. .... **D10/62; D10/64; D10/71**

[58] Field of Search ..... **D10/62, 71, 64; 33/26, 27.01, 483-484, 563, 564**

[56] **References Cited**

**U.S. PATENT DOCUMENTS**

D. 192,748 5/1962 Brockman ..... D10/62

D. 267,932 2/1983 Sidrak ..... D10/62 X  
D. 271,381 11/1983 Sidrak ..... D10/62  
D. 340,652 10/1993 Shapiro ..... D10/64

*Primary Examiner*—Antoine Duval Davis  
*Attorney, Agent, or Firm*—Leydig, Voit & Mayer, Ltd.

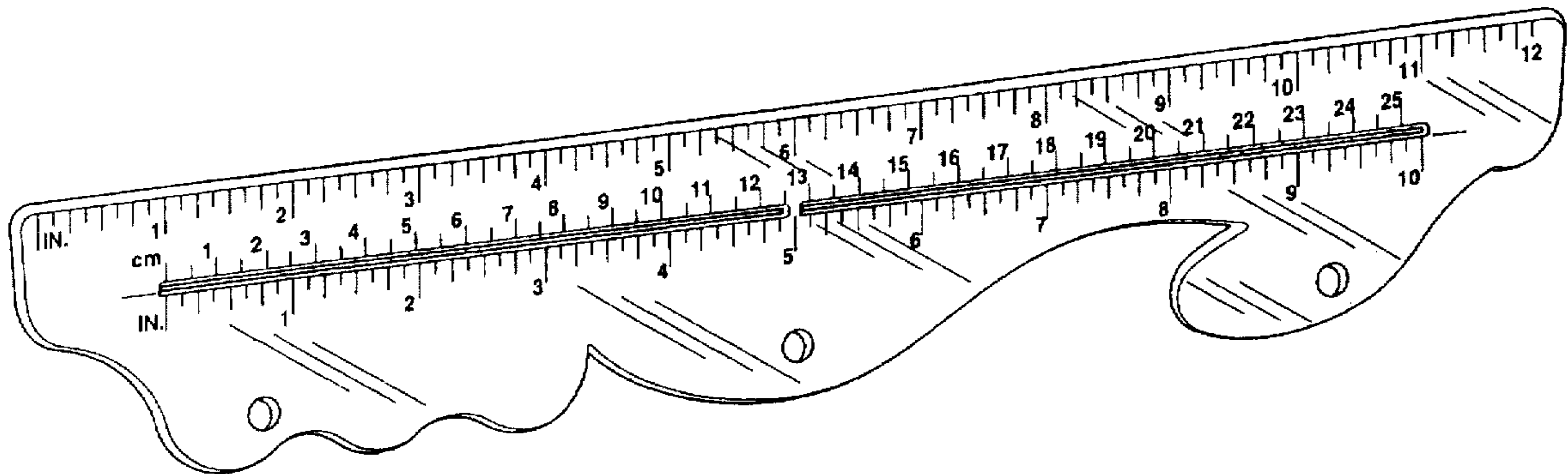
[57] **CLAIM**

The ornamental design for a ruler with drawing curves, as shown and described.

**DESCRIPTION**

FIG. 1 is a left front top perspective view of the ruler with drawing curves;  
FIG. 2 is a top view thereof;  
FIG. 3 is a left side view thereof;  
FIG. 4 is a right side view thereof;  
FIG. 5 is a front view thereof;  
FIG. 6 is a rear view thereof; and,  
FIG. 7 is a bottom view thereof.

**1 Claim, 2 Drawing Sheets**



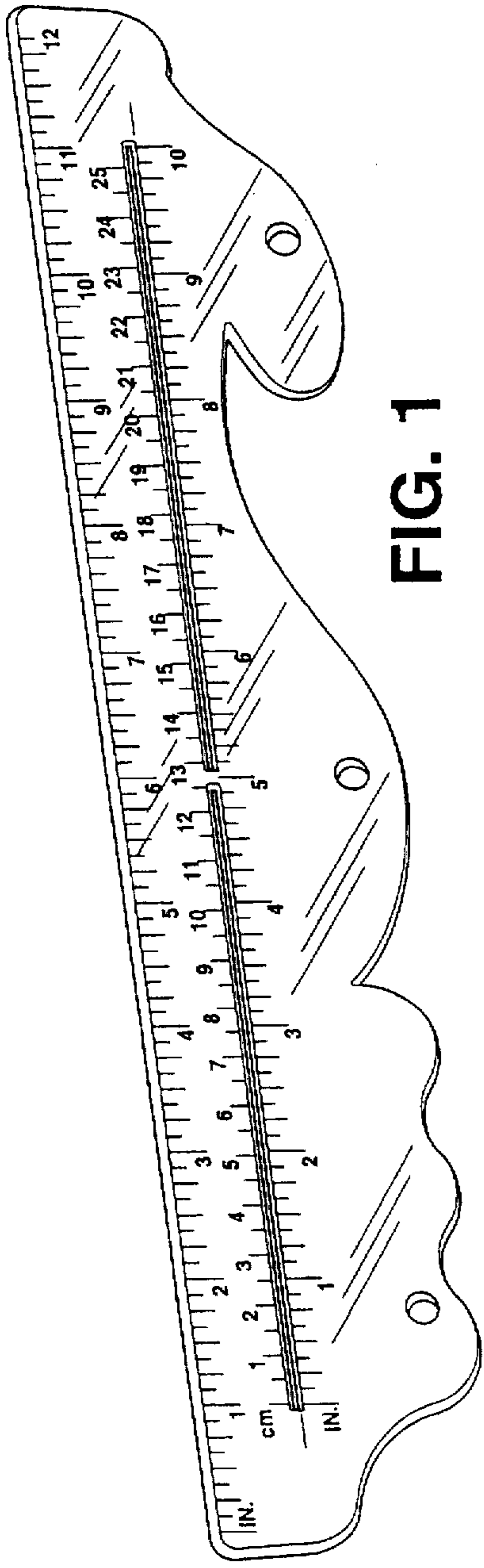


FIG. 1

FIG. 2

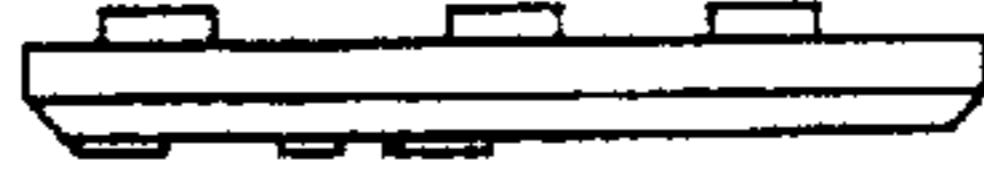
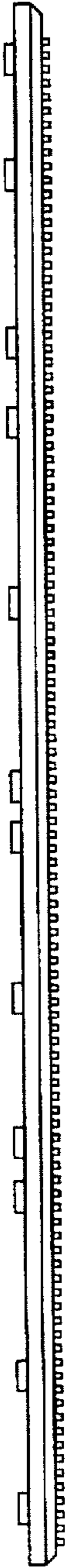


FIG. 4

FIG. 3

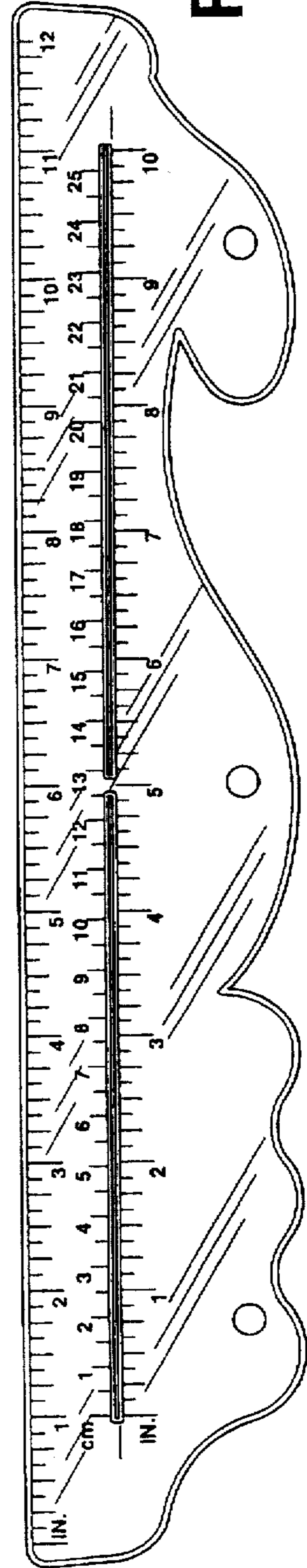


FIG. 5

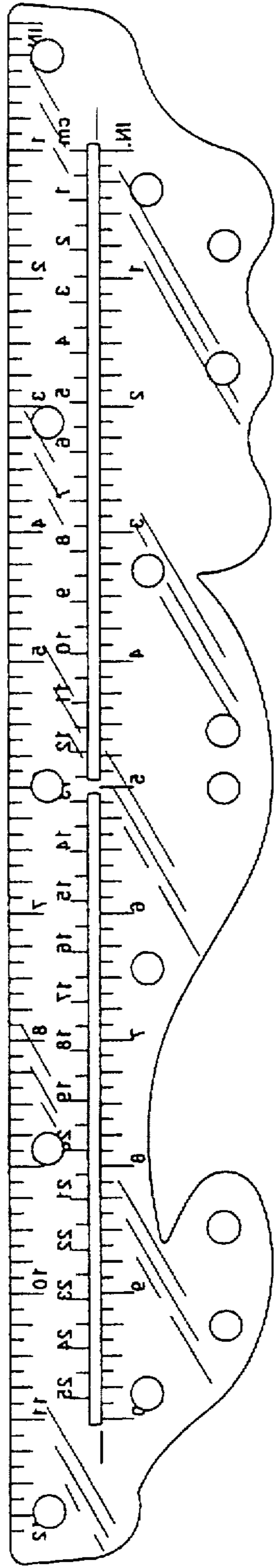


FIG. 6

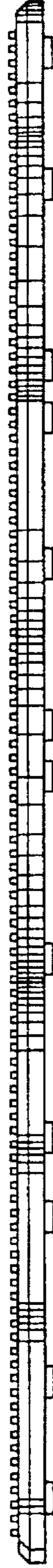


FIG. 7