



US00D396415S

United States Patent [19]
Kuo

[11] **Patent Number: Des. 396,415**
[45] **Date of Patent: **Jul. 28, 1998**

[54] **CLOCK**

[76] **Inventor: Chu-Rong Kuo, 12F. No. 367, Han Kou Road, Sec. 4, Taichung, Taiwan**

[**] **Term: 14 Years**

[21] **Appl. No.: 73,996**

[22] **Filed: Jul. 22, 1997**

[51] **LOC (6) Cl. 10-01**

[52] **U.S. Cl. D10/28**

[58] **Field of Search D10/1-40, 122-132; 368/276-277, 285, 316-317**

[56] **References Cited**

U.S. PATENT DOCUMENTS

- D. 128,392 7/1941 Gottlieb D10/28
- D. 146,283 1/1947 Kress D10/28
- D. 322,577 12/1991 Shimamura D10/28

- D. 323,467 1/1992 Takashima D10/28
- D. 383,071 9/1997 Suzuki D10/2 X

Primary Examiner—Nelson C. Holtje
Attorney, Agent, or Firm—Browdy and Neimark

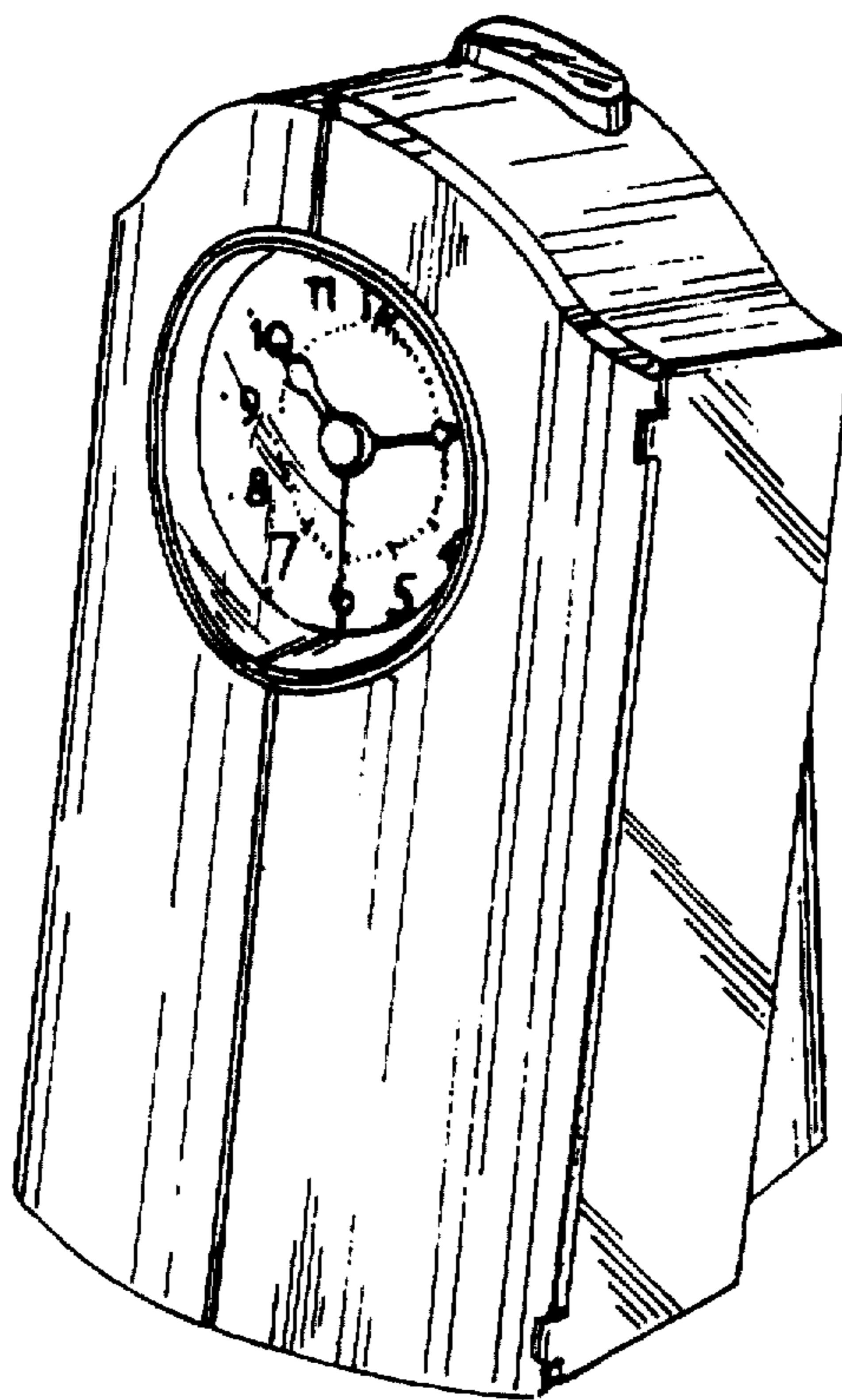
[57] **CLAIM**

The ornamental design for a “clock.” as shown and described.

DESCRIPTION

FIG. 1 shows a perspective view of the present design; FIG. 2 shows a front elevational view of the present design; FIG. 3 shows a rear elevational view of the present design; FIG. 4 shows a left elevational view of the present design; FIG. 5 shows a right elevational view of the present design; FIG. 6 shows a top plan view of the present design; and, FIG. 7 shows a bottom plan view of the present design.

1 Claim, 3 Drawing Sheets



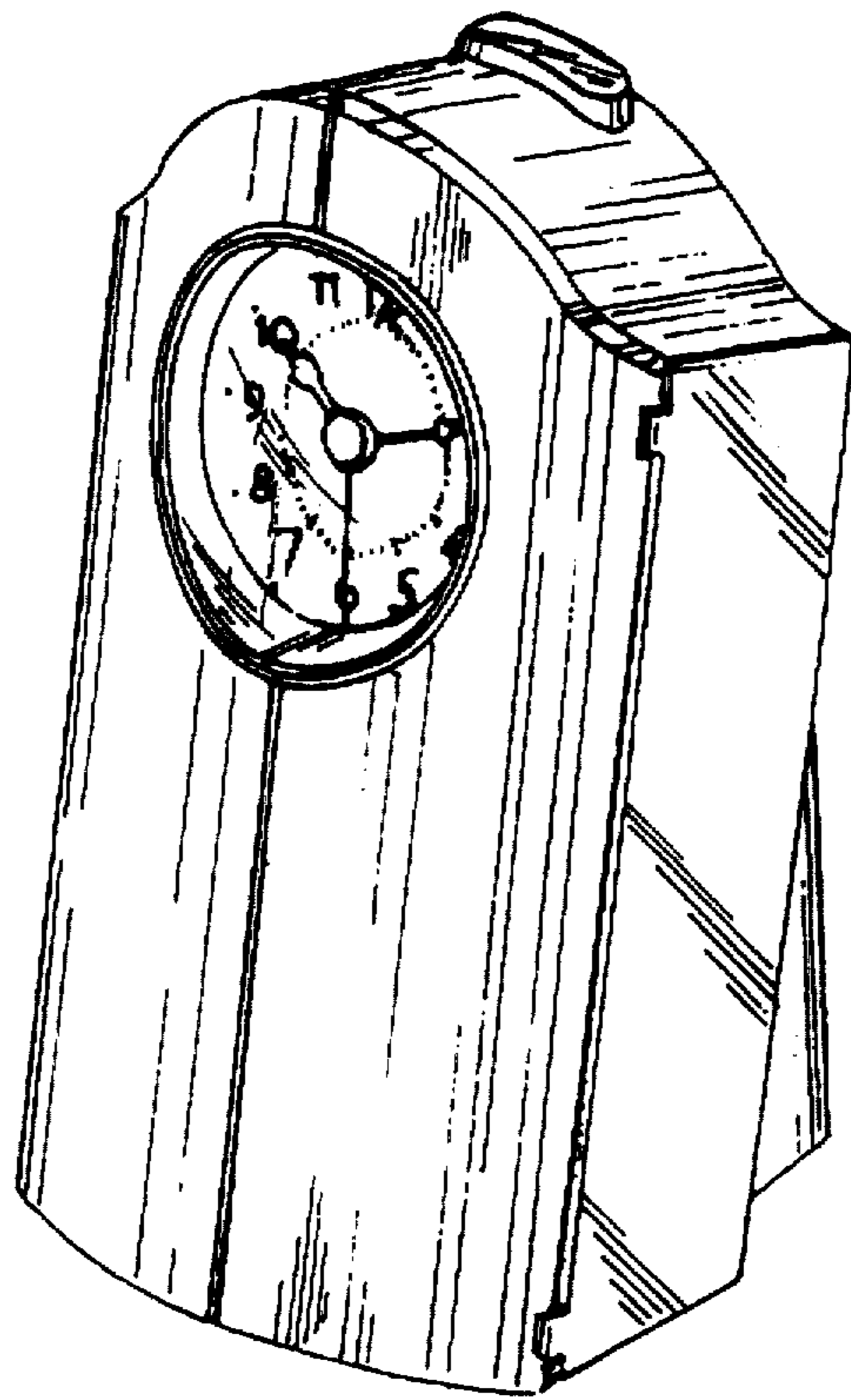


FIG. 1

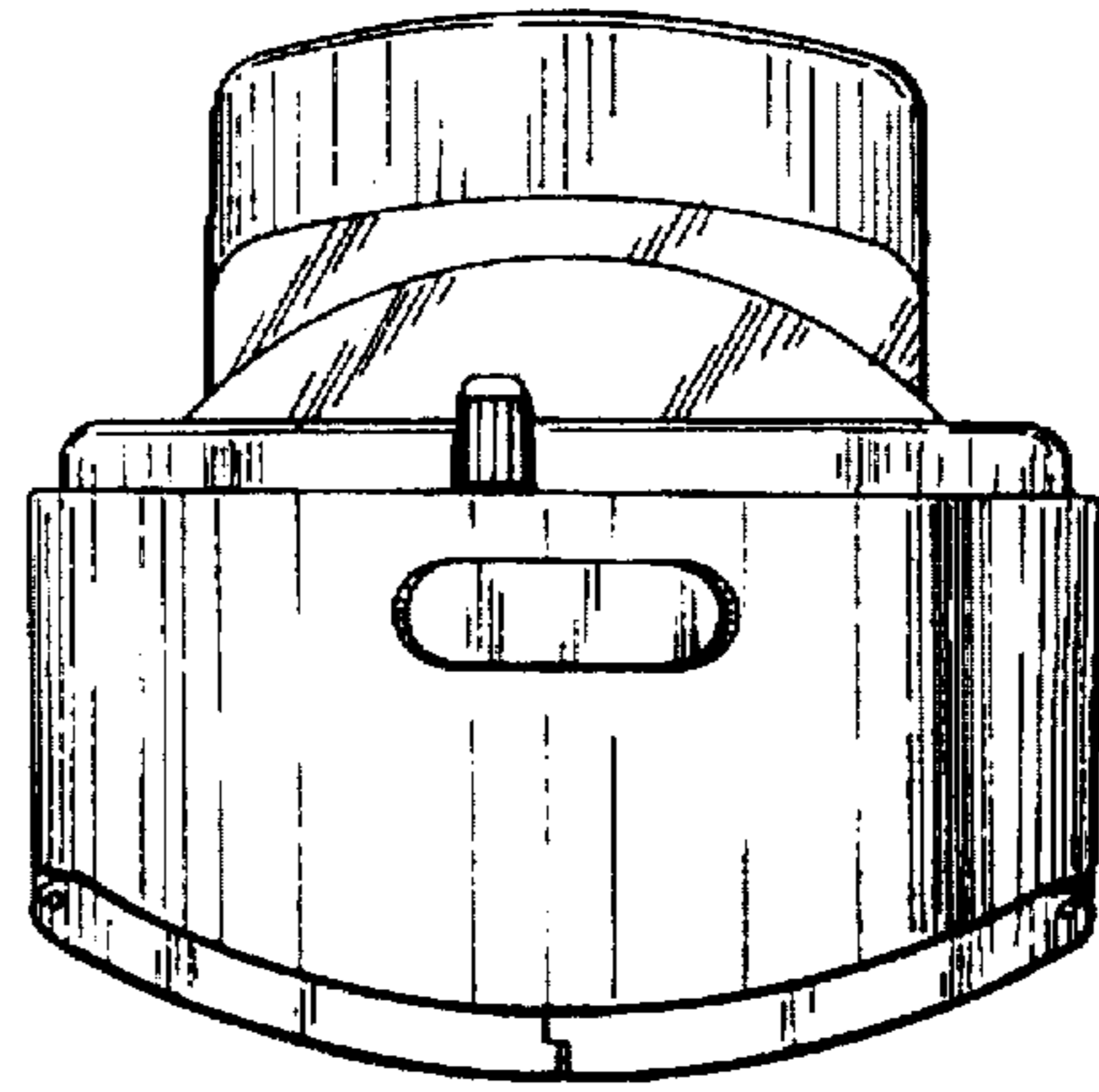


FIG. 6

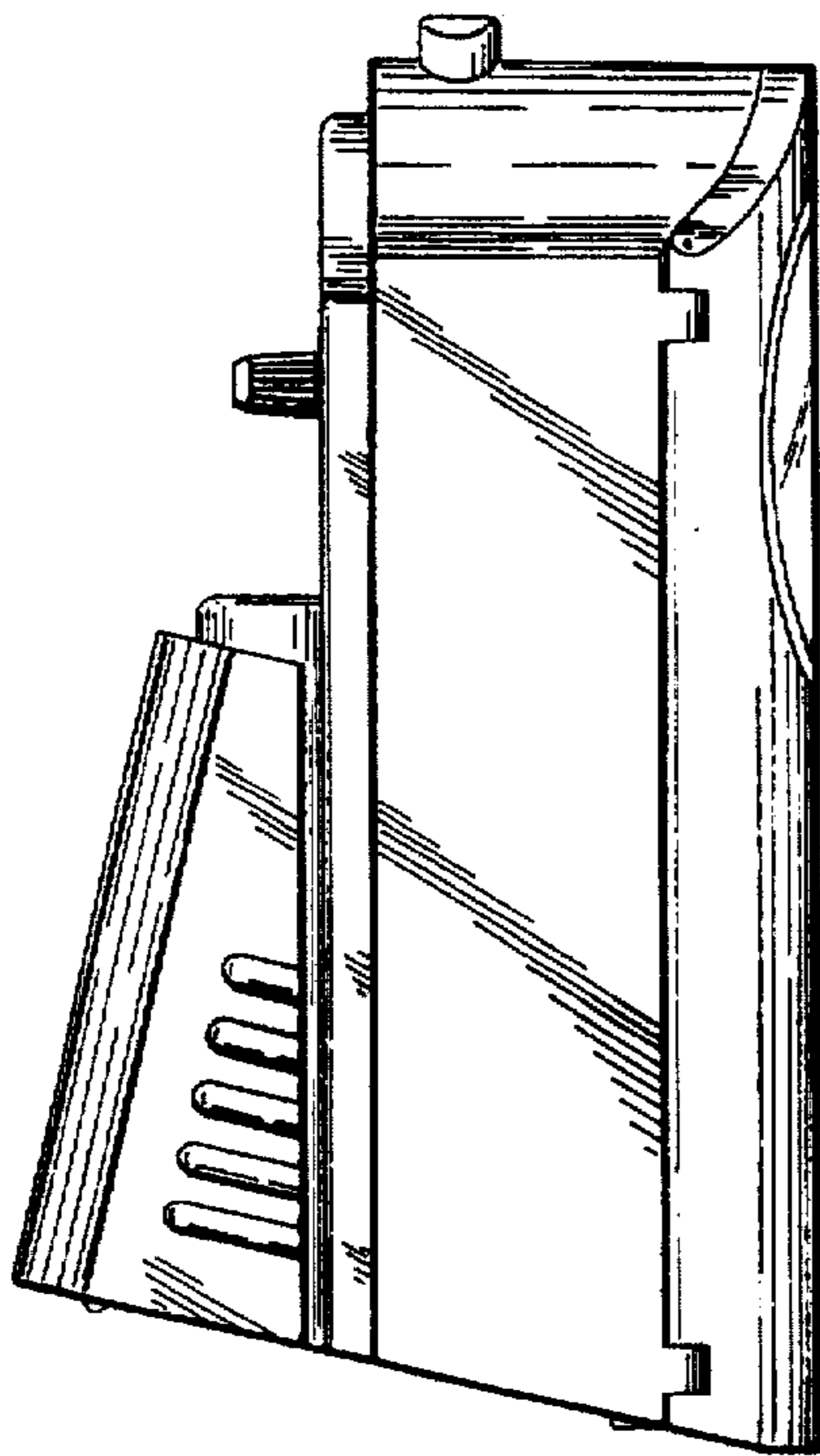


FIG. 4

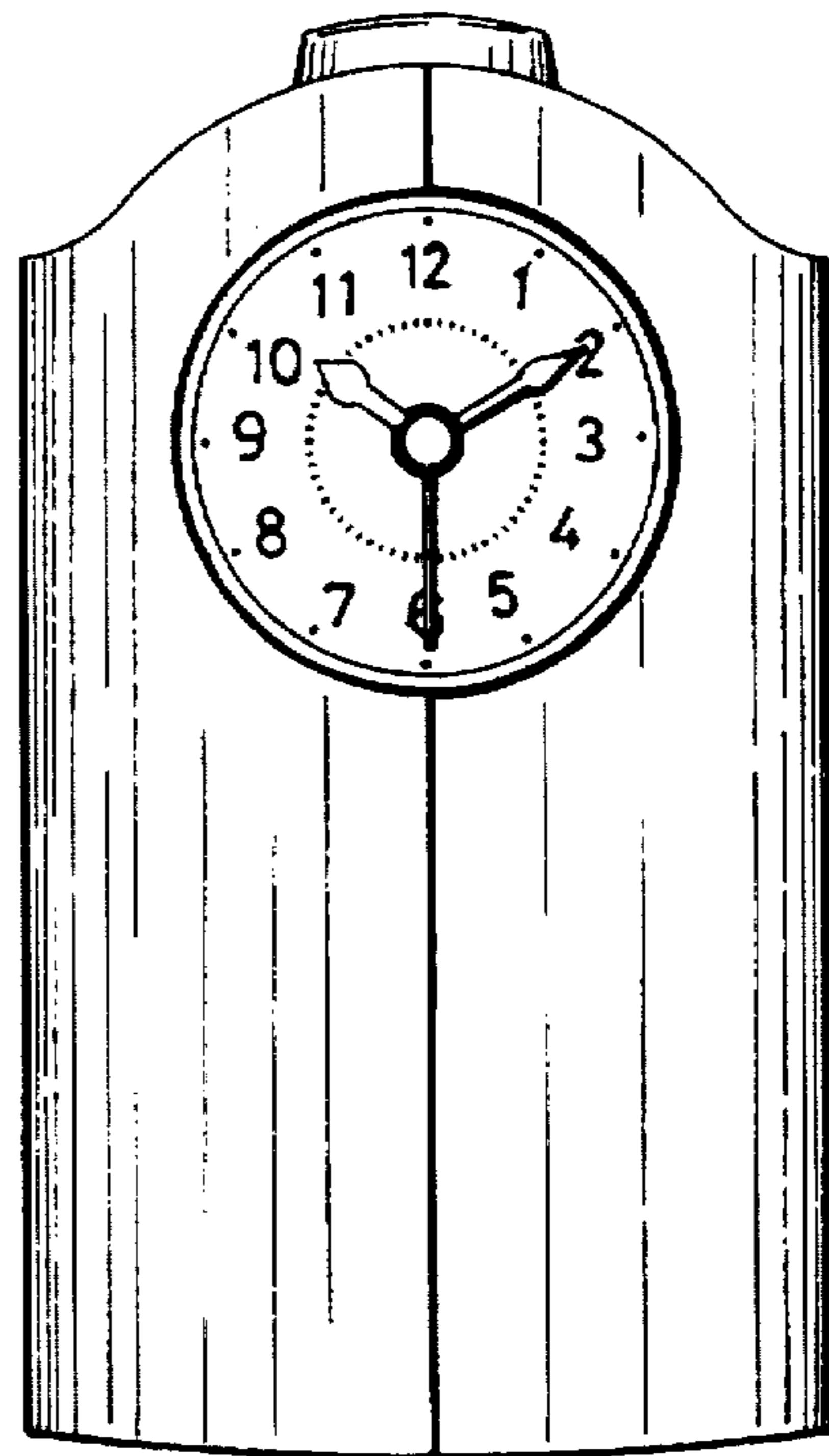


FIG. 2

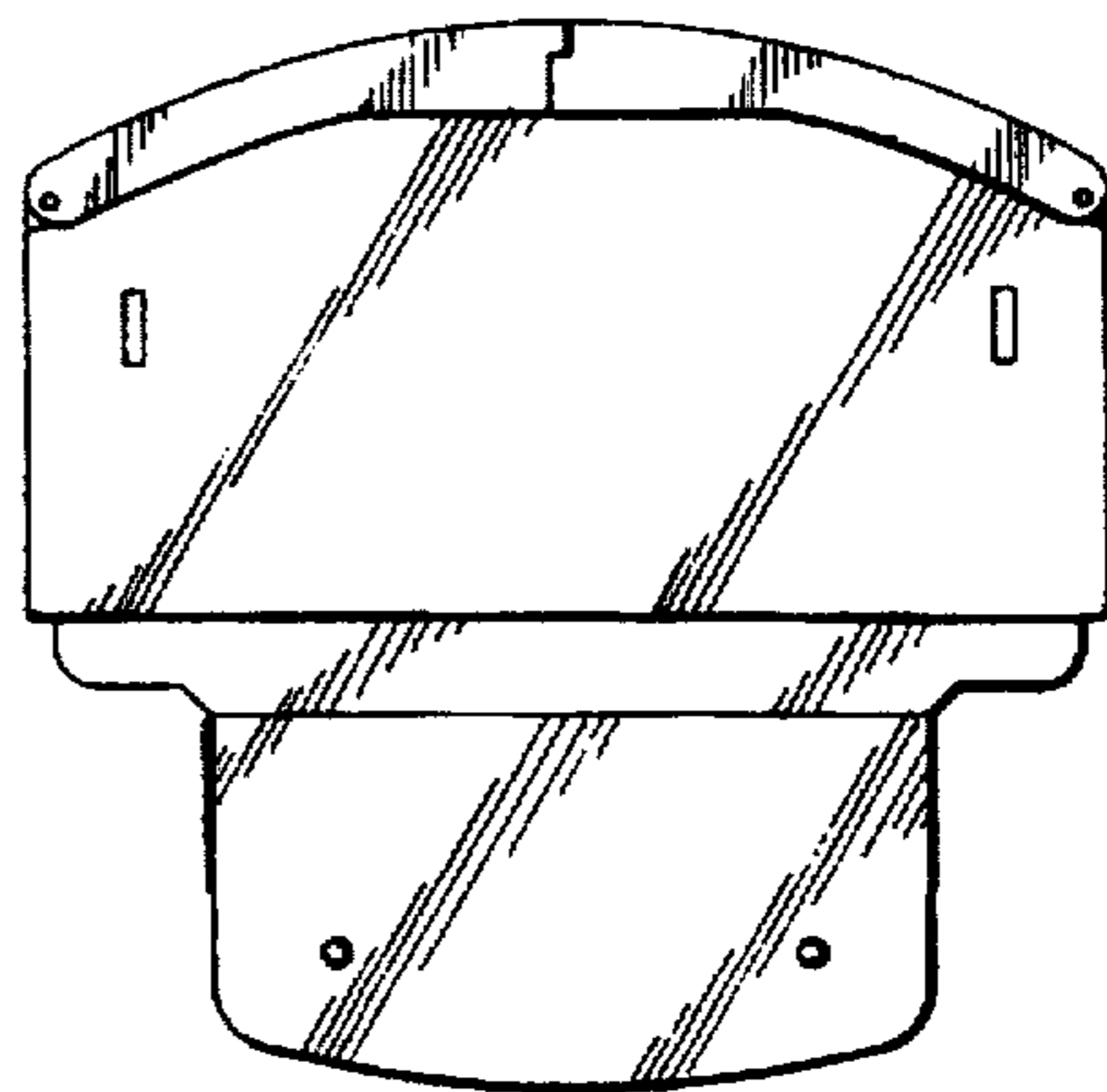


FIG. 7

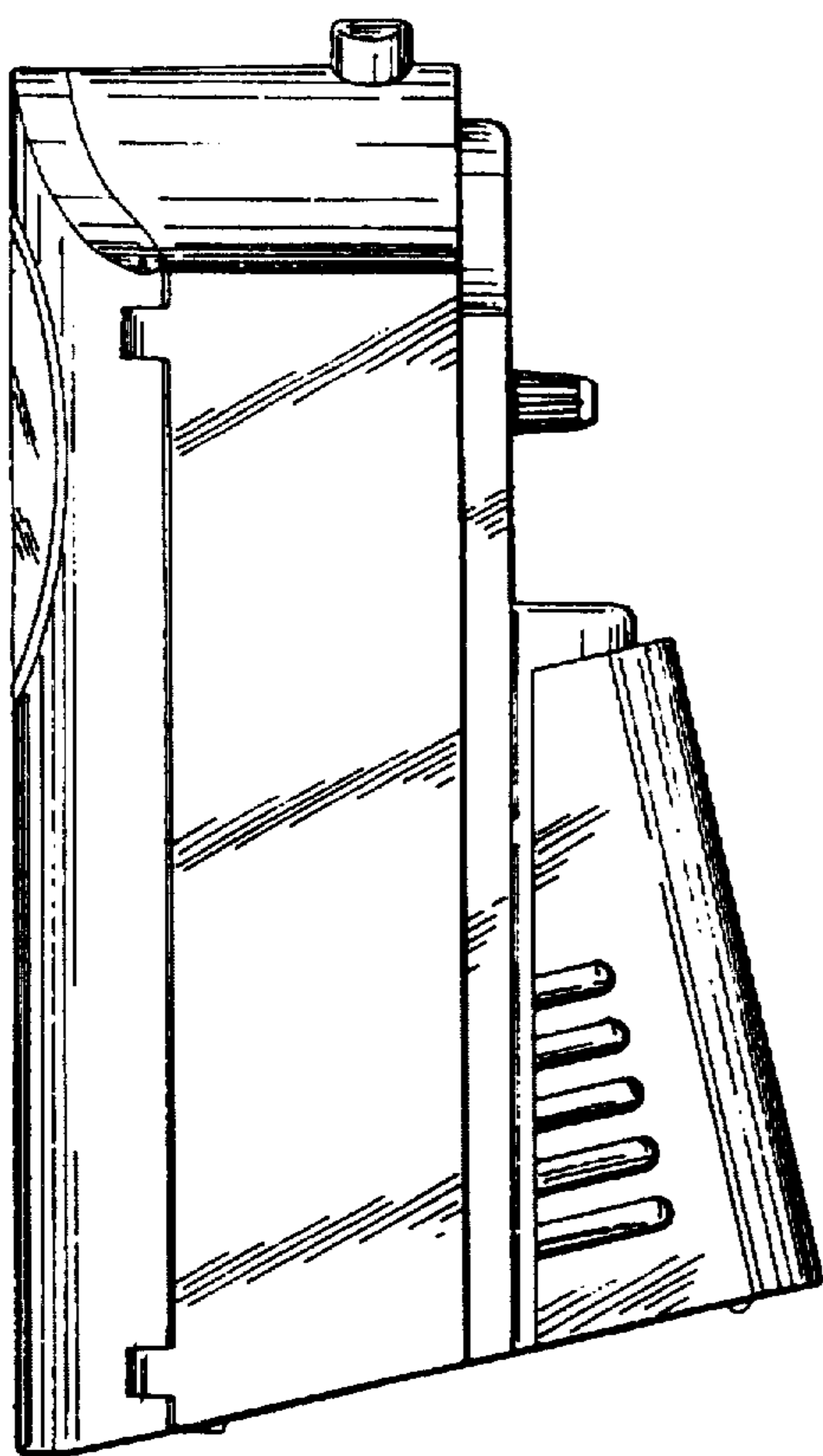


FIG. 5

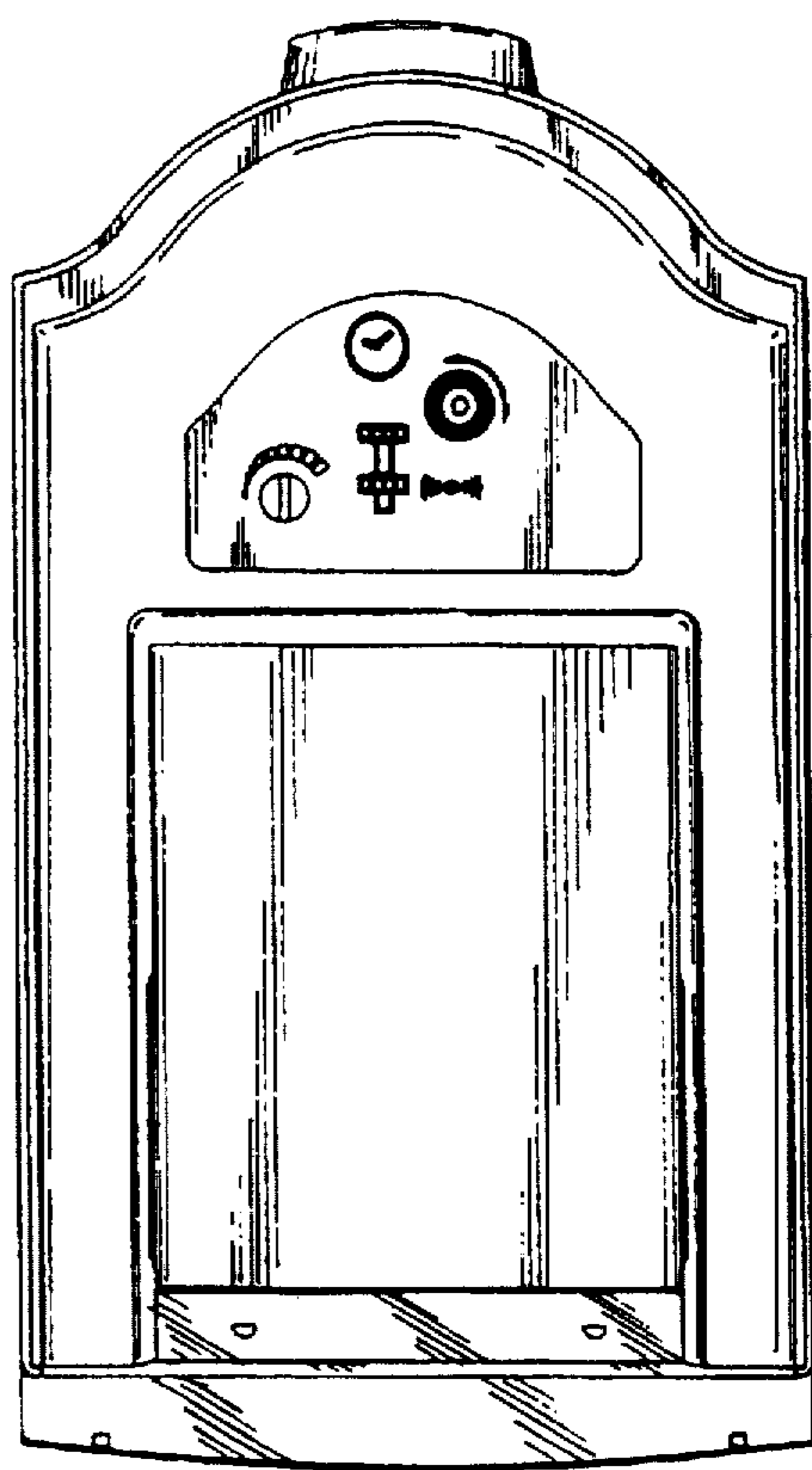


FIG. 3