

US00D396414S

United States Patent [19]
Chiang

[11] **Patent Number:** **Des. 396,414**
[45] **Date of Patent:** ****Jul. 28, 1998**

[54] **CLOCK**

[76] **Inventor:** **Kuo-Chin Chiang**, 58, Ma Yuan West St., Taichung, Taiwan

[**] **Term:** **14 Years**

[21] **Appl. No.:** **75,039**

[22] **Filed:** **Aug. 14, 1997**

[51] **LOC (6) Cl.** **10-01**

[52] **U.S. Cl.** **D10/6**

[58] **Field of Search** D10/1-40, 122-132;
D21/115; 368/285. 10

[56] **References Cited**

U.S. PATENT DOCUMENTS

D. 327,019 6/1992 Hiraike D10/7

OTHER PUBLICATIONS

Asian Sources *Timepieces* Jun. 1989 p. 52—Drum Clock at Bottom Left.

Primary Examiner—Nelson C. Holtje

[57] **CLAIM**

The ornamental design for a clock, as shown and described.

DESCRIPTION

FIG. 1 is a perspective view of clock showing my new design;

FIG. 2 is a front elevational view thereof;

FIG. 3 is a rear elevational view thereof;

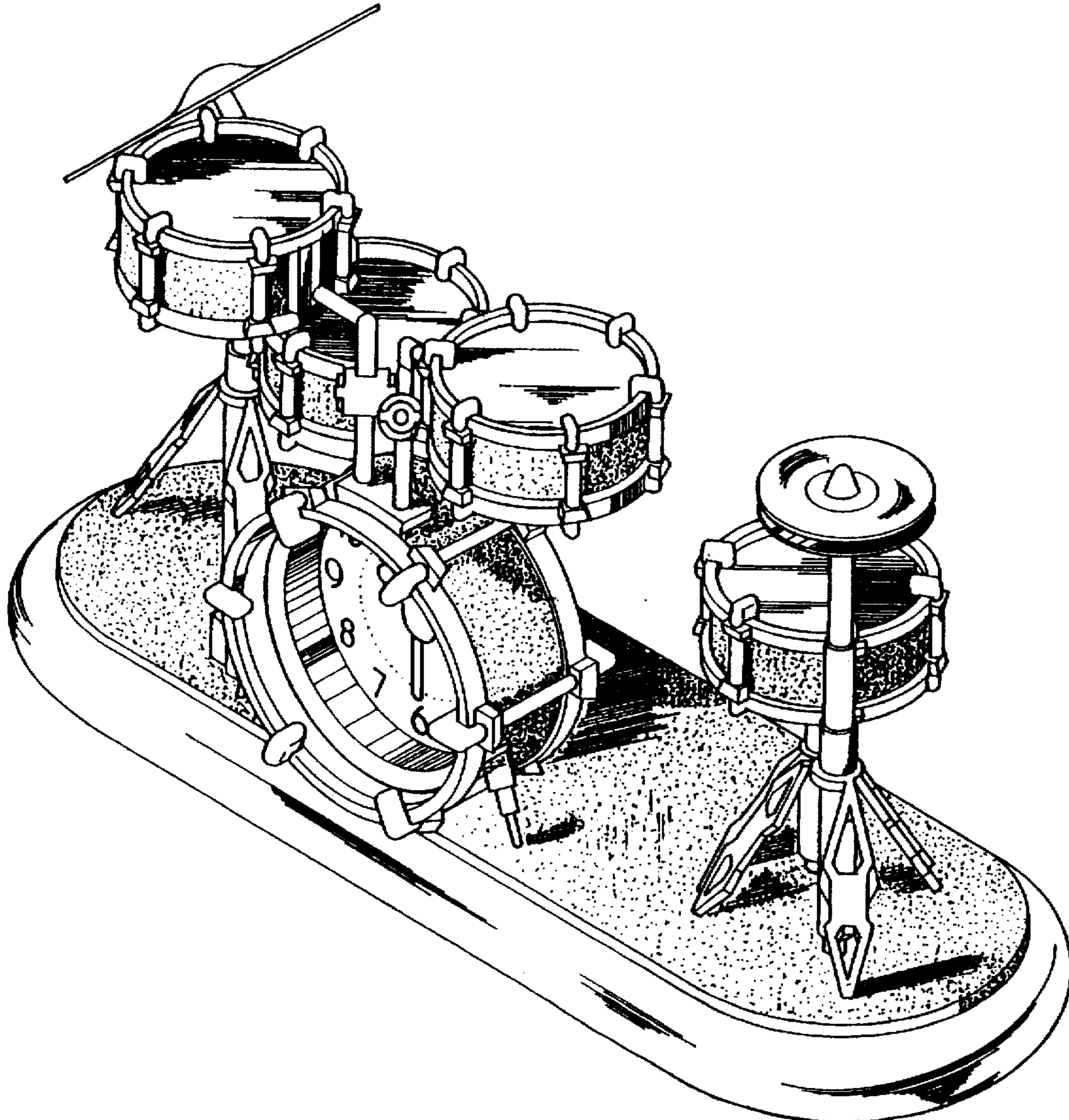
FIG. 4 is a left side elevational view thereof;

FIG. 5 is a right side elevational view thereof;

FIG. 6 is a top plan view thereof; and,

FIG. 7 is a bottom plan view thereof.

1 Claim, 3 Drawing Sheets



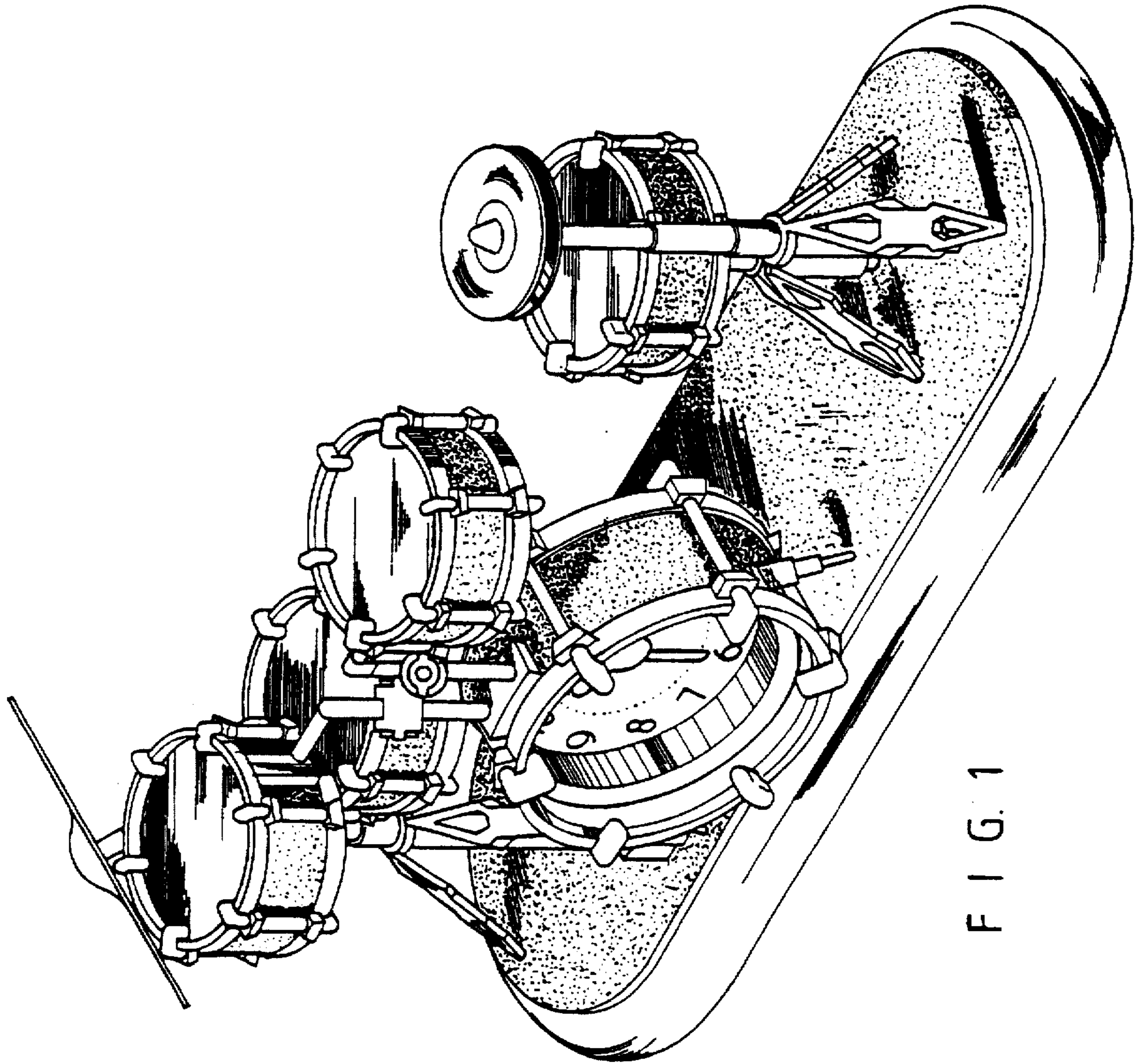


FIG. 1

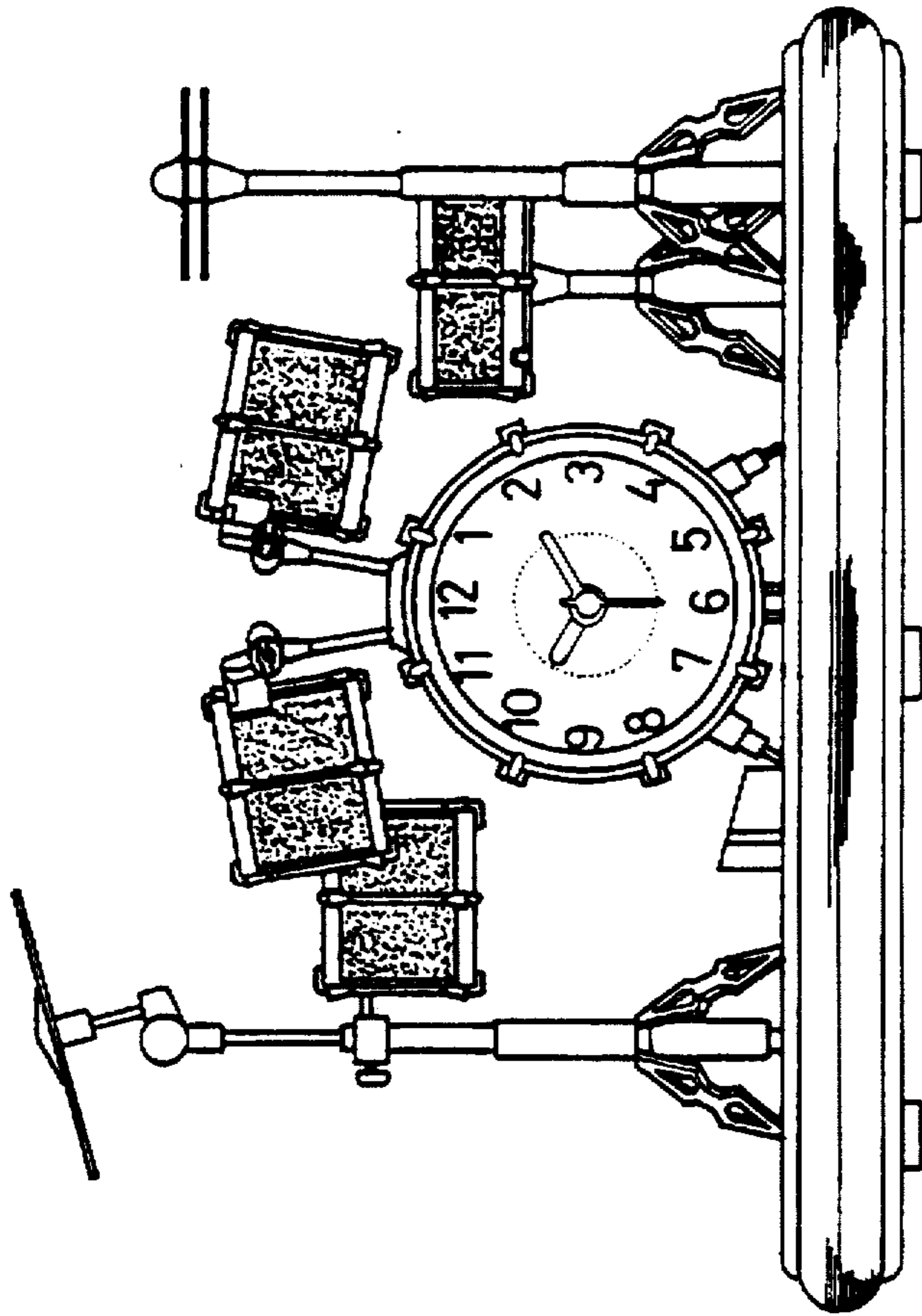


FIG. 2

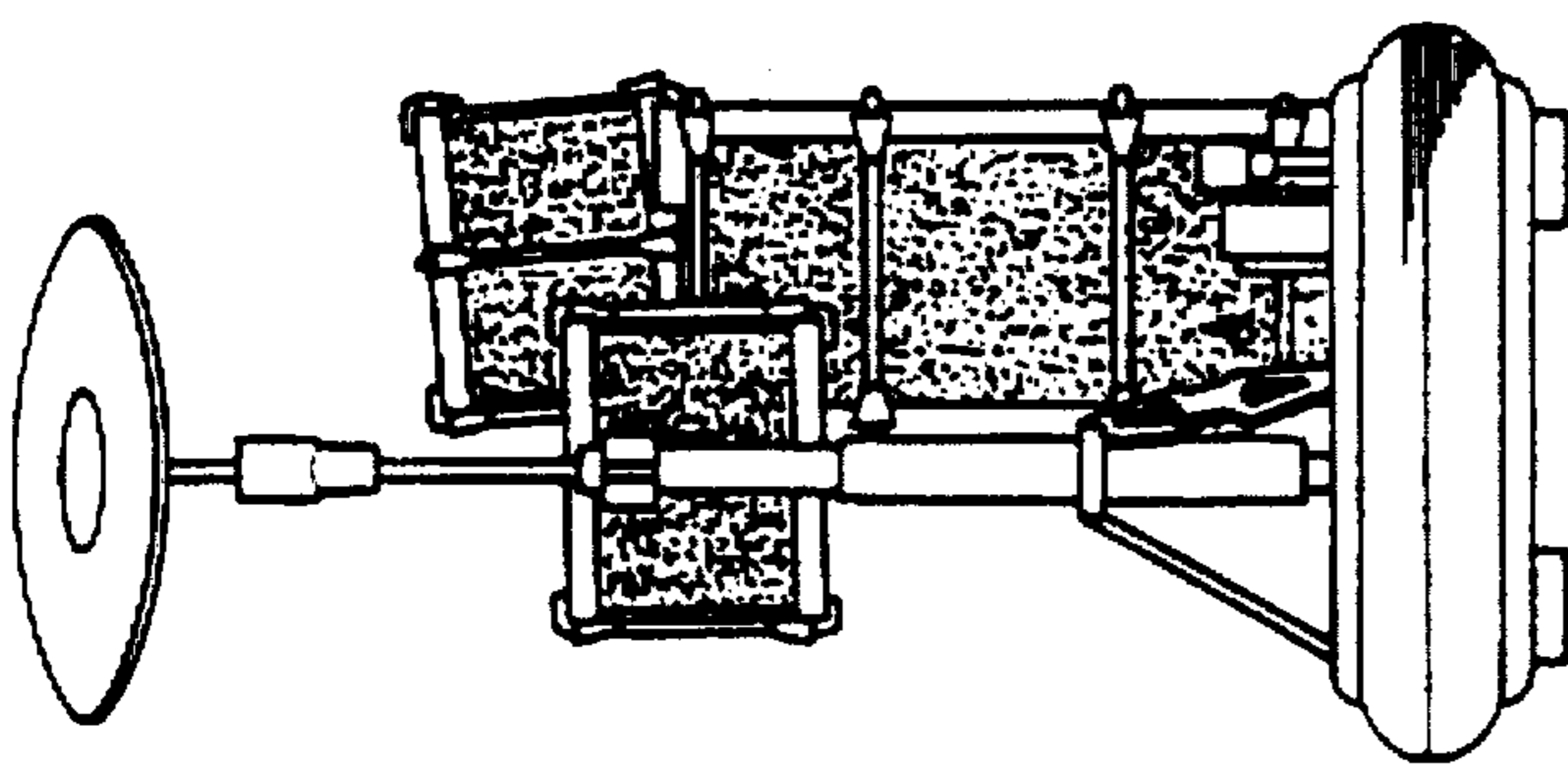


FIG. 4

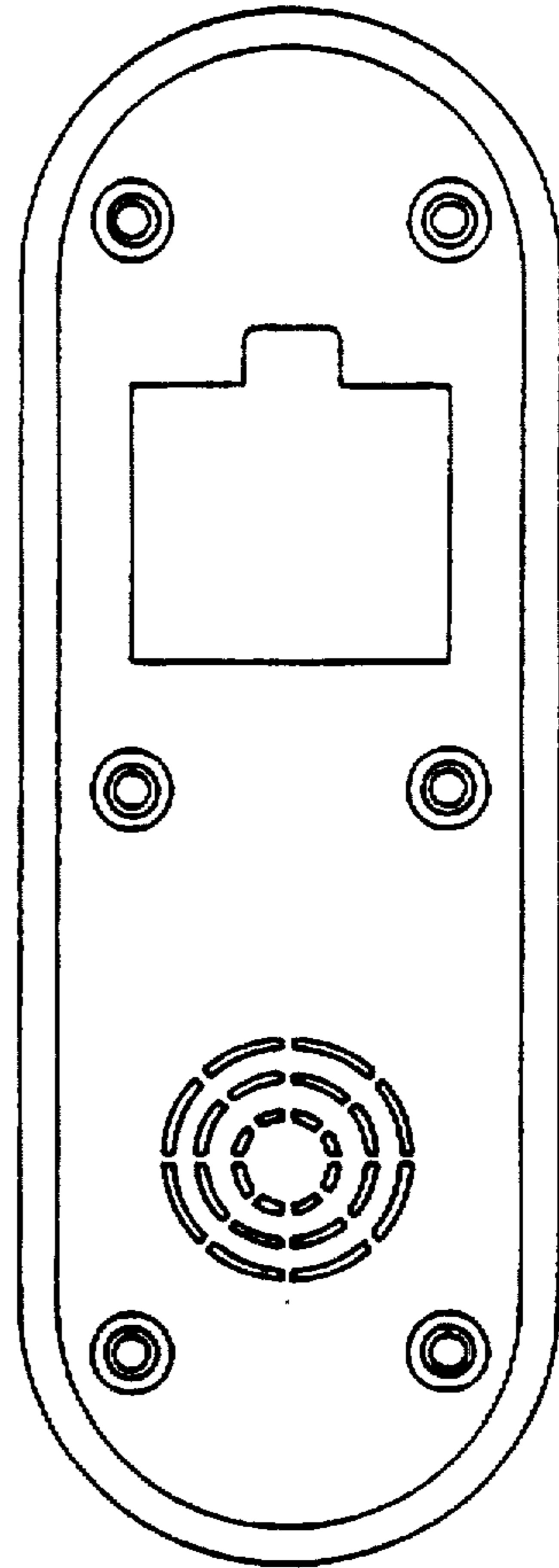


FIG. 7

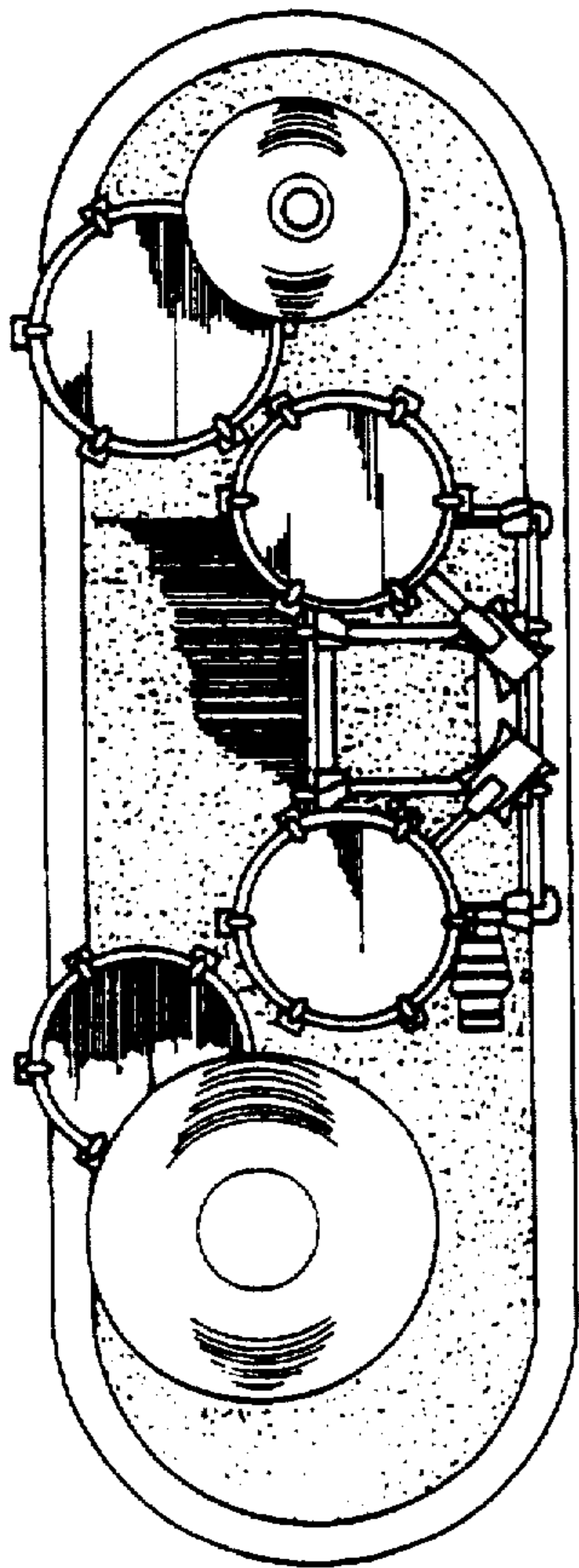


FIG. 6

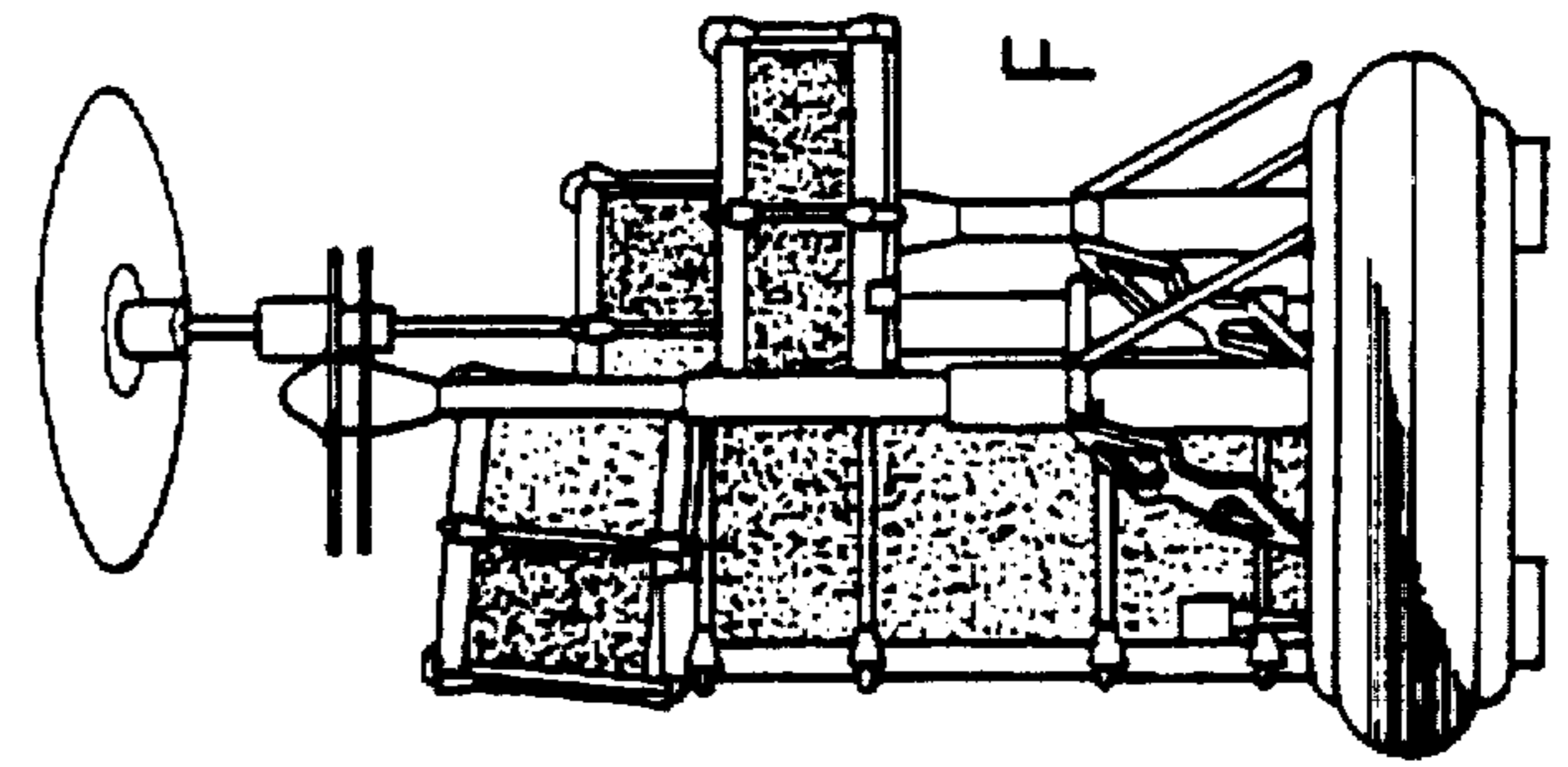


FIG. 5

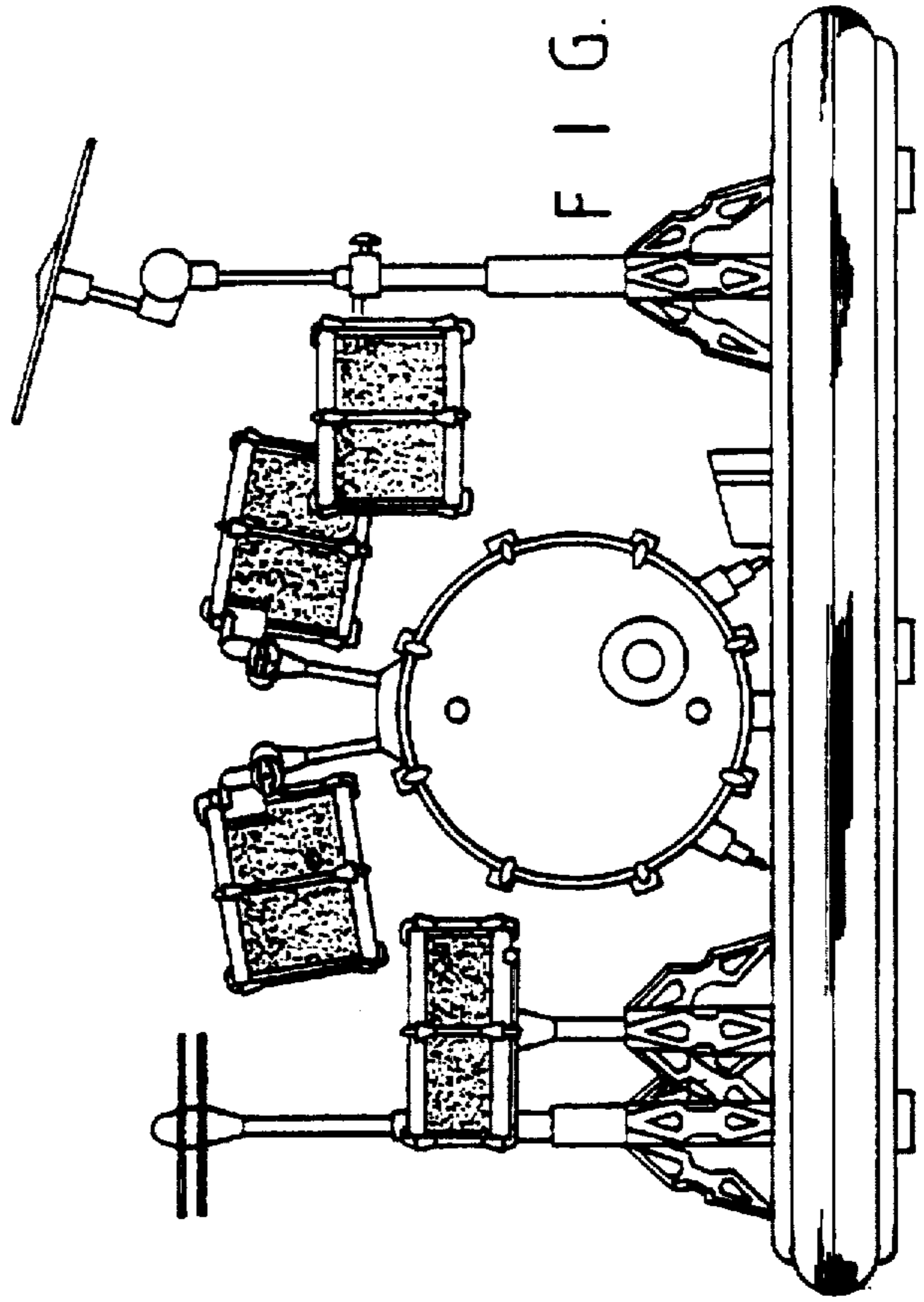


FIG. 3