



US00D396403S

United States Patent [19]
Whittaker

[11] **Patent Number: Des. 396,403**
[45] **Date of Patent: **Jul. 28, 1998**

[54] **CD PLAYER MOUNT**
[76] **Inventor: James Todd Whittaker**, 1416 Norton Ave., San Mateo, Calif. 94401
[**] **Term: 14 Years**
[21] **Appl. No.: 59,408**
[22] **Filed: Sep. 10, 1996**
[51] **LOC (6) Cl. 08-05**
[52] **U.S. Cl. D8/354**
[58] **Field of Search** D8/354, 349, 383, D8/356, 373; 248/27.1, 300, 309.1, 200, 618, 624; D14/238, 224, 229, 217

1,640,326 8/1927 Jonasson et al. 248/624
4,778,134 10/1988 Struthers et al. 248/27.1

FOREIGN PATENT DOCUMENTS

831329 1/1952 Germany 248/624

Primary Examiner—Susan J. Lucas
Assistant Examiner—Cynthia E. Ramirez
Attorney, Agent, or Firm—Harold H. Dutton, Jr.

[57] **CLAIM**

The ornamental design for a CD player mount, as shown and described.

DESCRIPTION

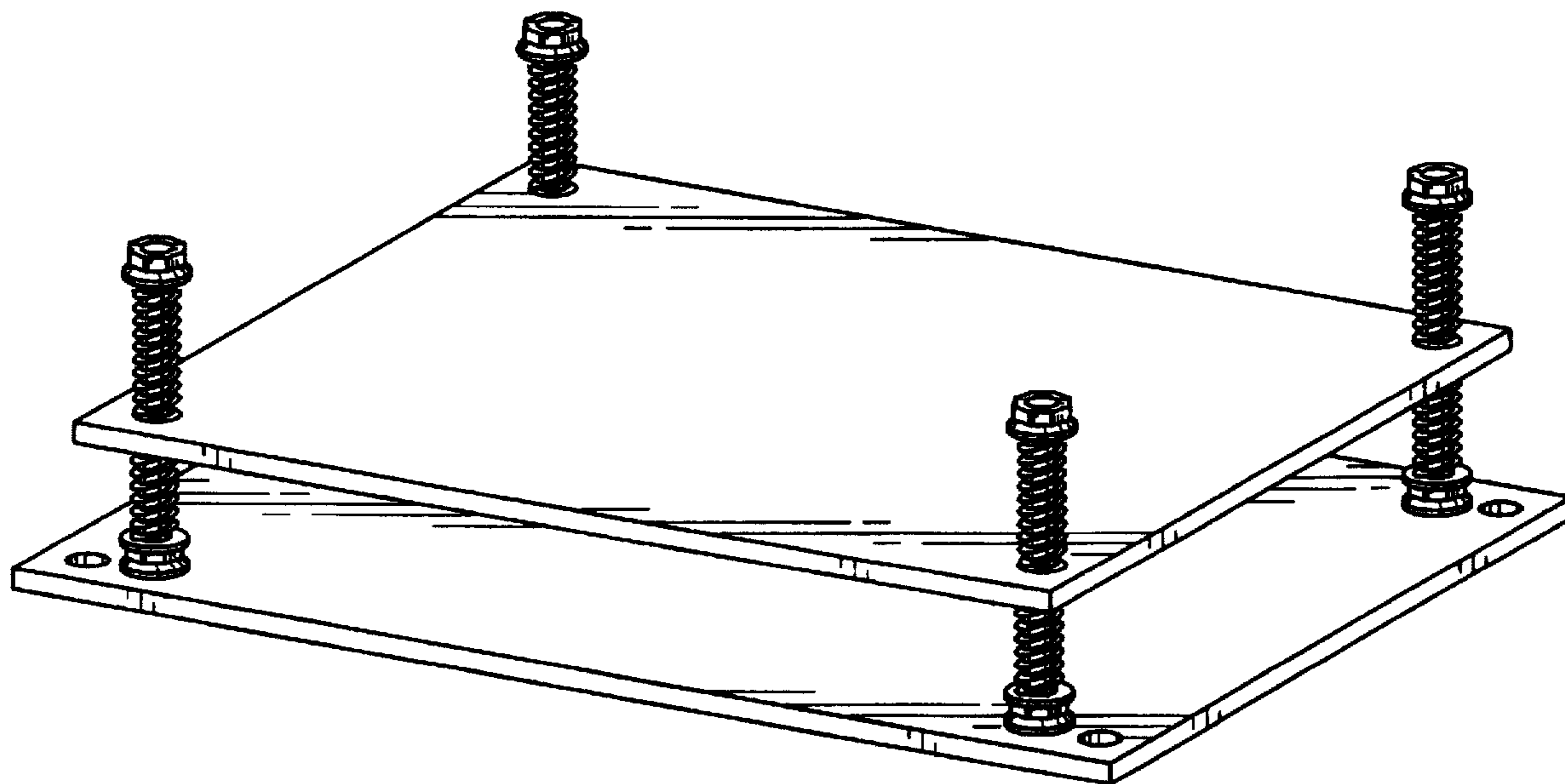
FIG. 1 is a perspective view of a CD player mount showing my new design;
FIG. 2 is a front view thereof; The rear view is a mirror image thereof;
FIG. 3 is a right side view thereof; The left side is a mirror image thereof;
FIG. 4 is a top view thereof; and,
FIG. 5 is a bottom view thereof.

1 Claim, 4 Drawing Sheets

[56] **References Cited**

U.S. PATENT DOCUMENTS

98,063 12/1869 Hurtt 248/624
D. 256,015 7/1980 Doherty D14/224
D. 256,915 9/1980 Needleman D14/224
D. 292,690 11/1987 Knutson D8/354 X
D. 344,446 2/1994 Egigian D8/356
1,377,556 5/1921 Bridgman 248/624



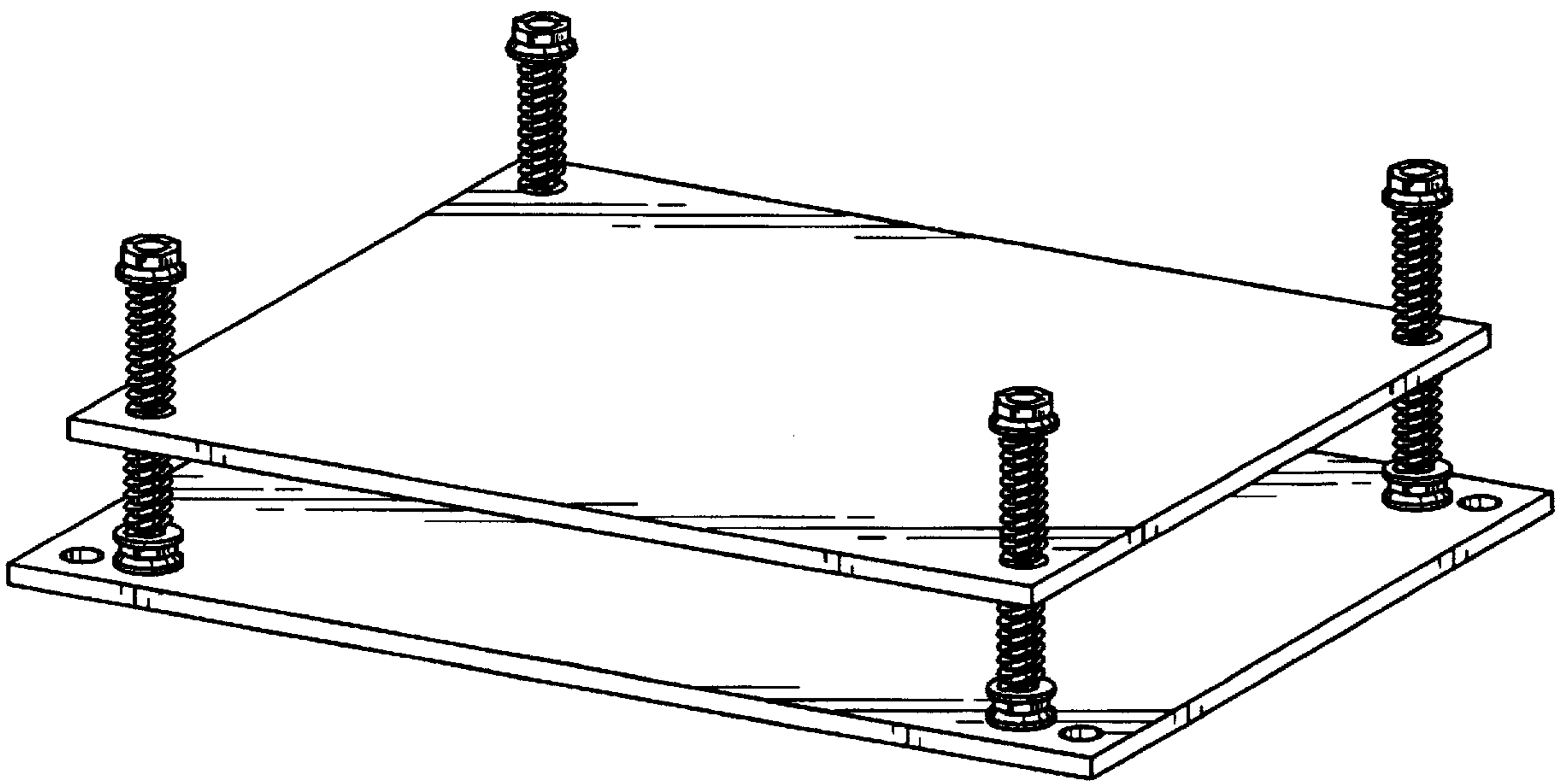


FIG. 1

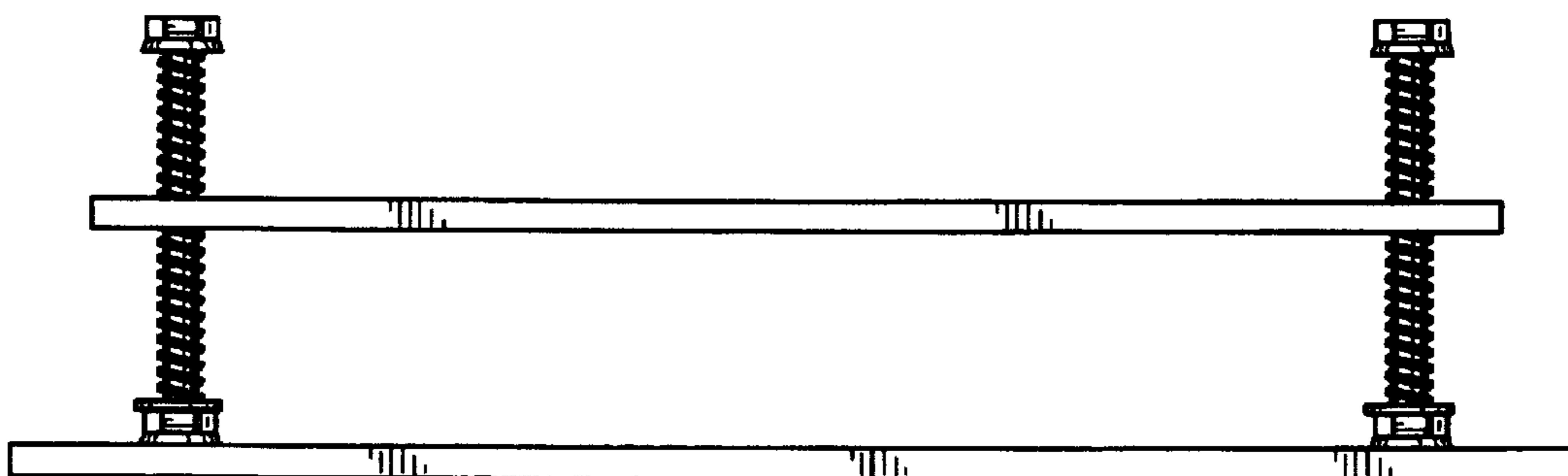


FIG. 2

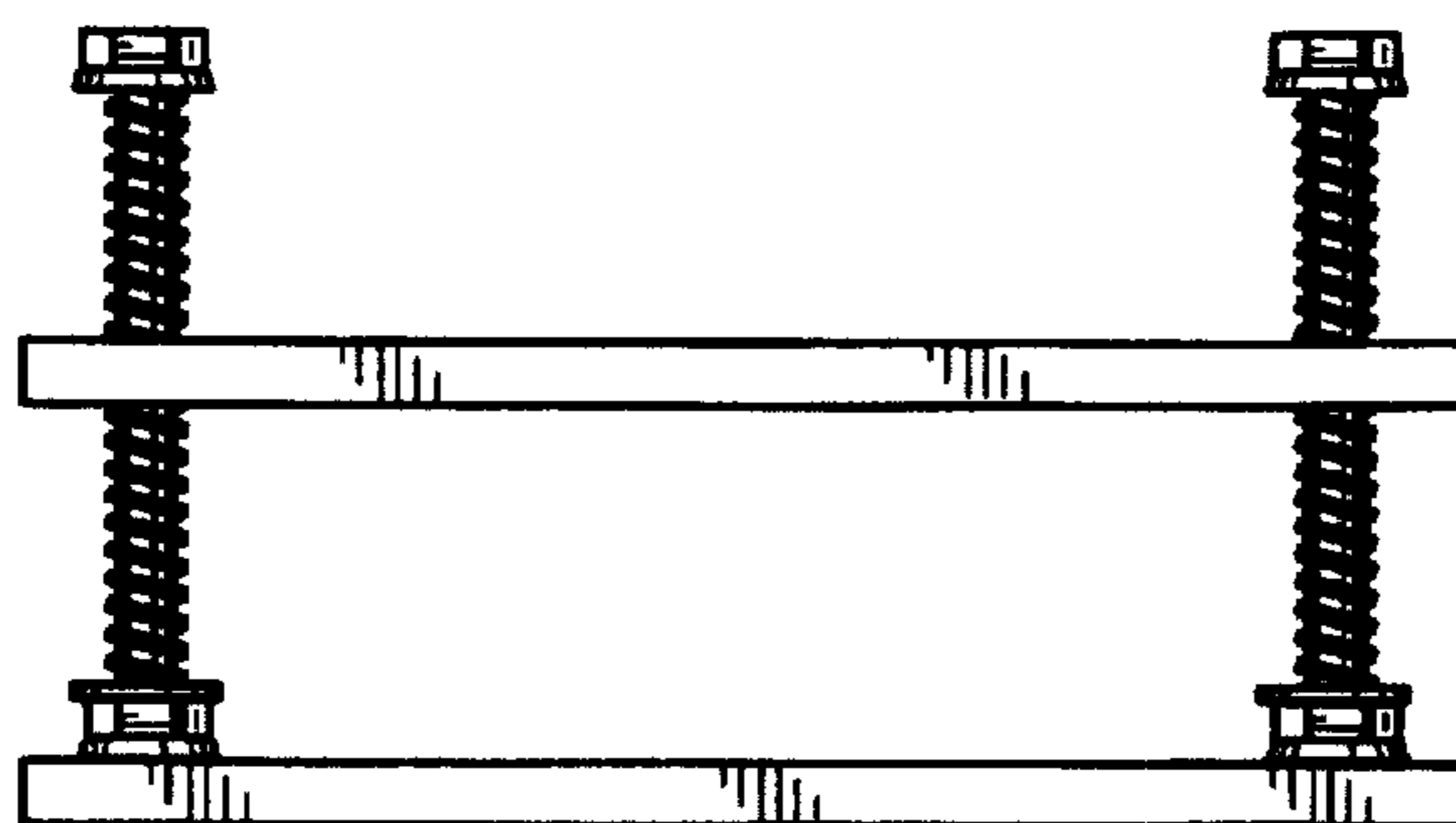


FIG. 3

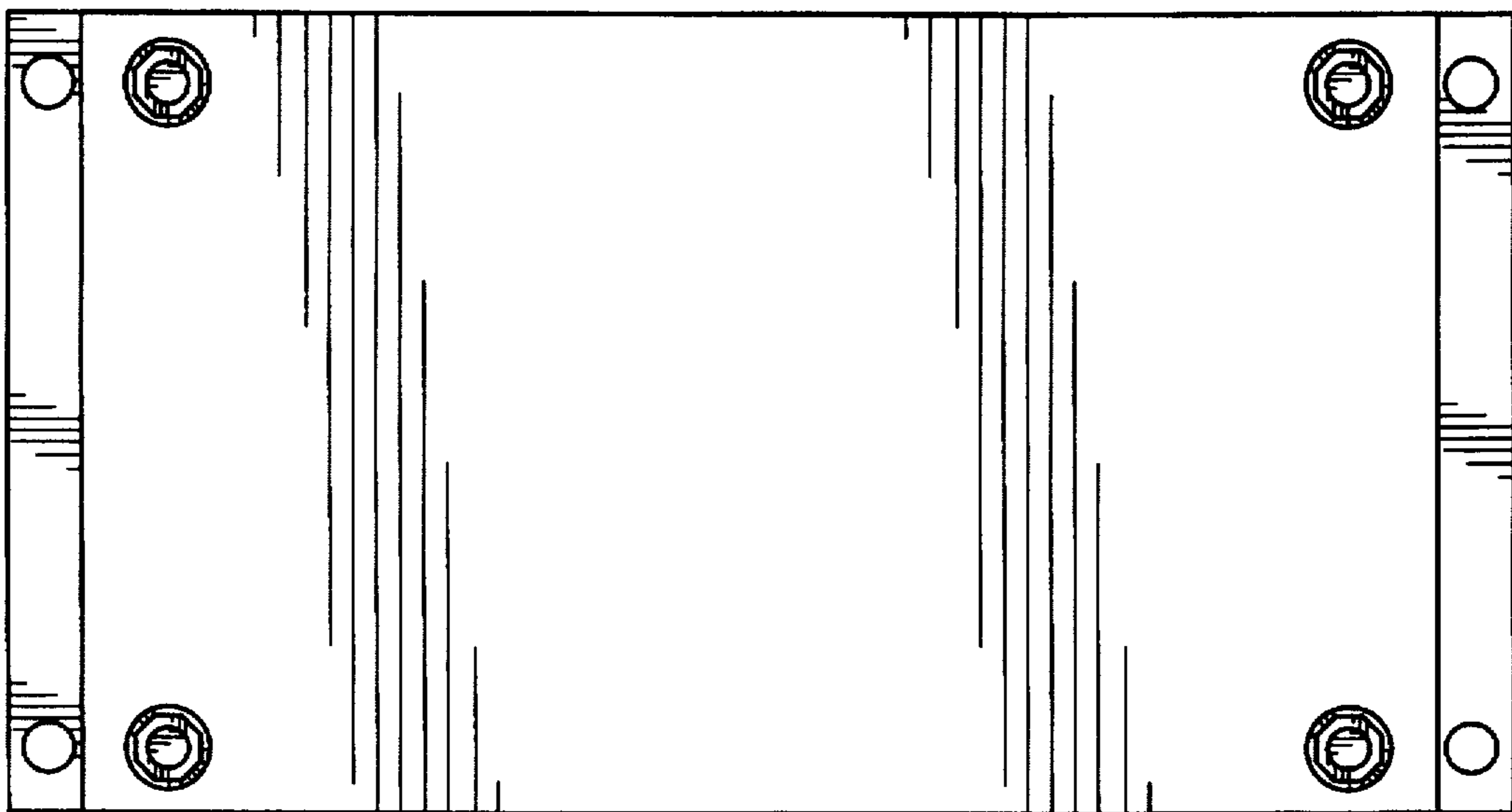


FIG. 4

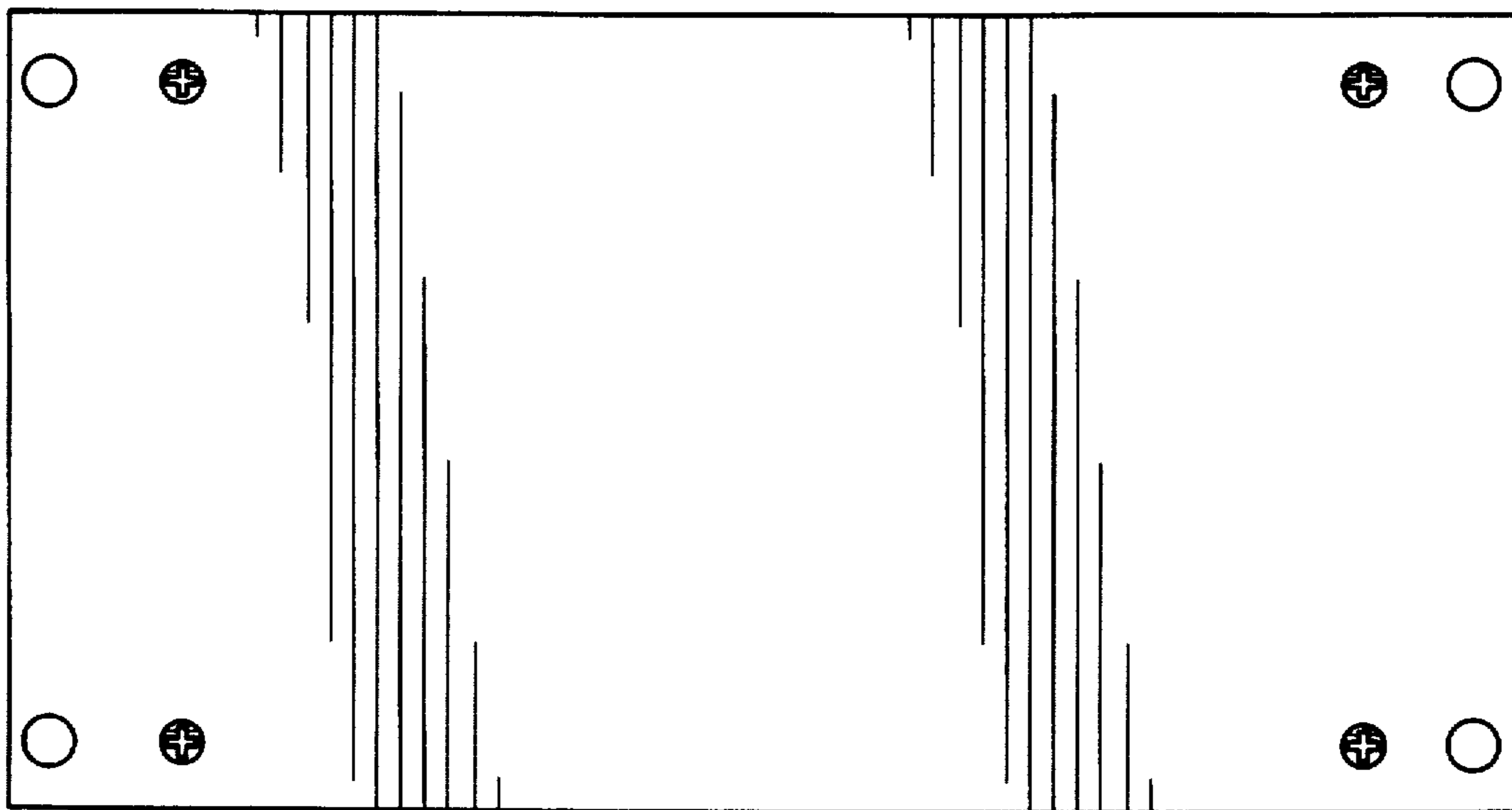


FIG. 5